



US00D769134S

(12) **United States Design Patent**
Schwamkrug

(10) **Patent No.:** **US D769,134 S**

(45) **Date of Patent:** **** Oct. 18, 2016**

(54) **WATCH**

(71) Applicant: **Porsche Lizenz- und Handelsgesellschaft mbH & Co. KG**, Bietigheim-Bissingen (DE)

(72) Inventor: **Christian Schwamkrug**, Zell am See (AT)

(73) Assignee: **Porsche Lizenz- und Handelsgesellschaft mbH & Co. KG**, Bietigheim-Bissingen (DE)

(**) Term: **14 Years**

(21) Appl. No.: **29/512,216**

(22) Filed: **Dec. 17, 2014**

(30) **Foreign Application Priority Data**

Jun. 18, 2014 (EM) 001414502

(51) **LOC (10) Cl.** **10-02**

(52) **U.S. Cl.**
USPC **D10/38**

(58) **Field of Classification Search**
USPC D10/30-39, 1-29, 122-132
CPC G04B 15/00; G04B 15/06; G04B 19/06; G04B 19/065; G04B 19/08; G04B 19/10; G04B 19/24; G04B 33/00; G04B 33/08; G04B 37/00; G04B 37/0008; G04G 19/00; G04C 3/00; G04C 3/08; G04F 7/00; G04F 7/06; G04F 7/08

See application file for complete search history.

5,220,541 A * 6/1993 Vuilleumier G04F 7/08 368/110

D352,470 S * 11/1994 Besson D10/129

D361,528 S * 8/1995 Hayashi D10/30

D388,204 S * 12/1997 Oba D10/39

D400,802 S * 11/1998 Galli D10/30

5,943,302 A * 8/1999 Fanshaw G04B 37/0008 368/276

D447,427 S * 9/2001 Finazzi D10/39

D470,776 S * 2/2003 Blondin D10/30

D488,724 S * 4/2004 Bertucci D10/30

D500,452 S * 1/2005 Itsubo D10/39

7,027,360 B2 * 4/2006 Kitahara G04C 17/0066 368/28

D538,184 S * 3/2007 Scheufele D10/39

D545,697 S * 7/2007 Martin D10/38

D569,742 S * 5/2008 Scheufele D10/39

D588,940 S 3/2009 Kuchler

D589,371 S 3/2009 Miloradovic

D589,372 S 3/2009 Miloradovic

D590,276 S 4/2009 Miloradovic

D592,976 S 5/2009 Kuchler

D600,139 S 9/2009 Miloradovic

D622,167 S * 8/2010 Jorst D10/39

D632,980 S * 2/2011 Yurman D10/38

D656,416 S * 3/2012 Monachon D10/39

D659,553 S * 5/2012 Cavalli D10/32

D662,836 S * 7/2012 Ganz D10/38

D664,865 S * 8/2012 Luk Ying Yee D10/38

D667,316 S * 9/2012 Tonohori D10/32

D694,765 S * 12/2013 Edwards D14/485

D695,637 S * 12/2013 Jacquerye D10/39

D706,144 S * 6/2014 Monachon D10/39

* cited by examiner

Primary Examiner — Sandra Snapp
(74) *Attorney, Agent, or Firm* — RatnerPrestia

(57) **CLAIM**
The ornamental design for a watch, as shown and described.

DESCRIPTION

FIG. 1 is a top plan view of the watch case; FIG. 2 is a bottom plan view thereof; FIG. 3 is a left side elevation view thereof; FIG. 4 is a right side elevation view thereof; FIG. 5 is a front elevation view thereof; and, FIG. 6 is a rear elevation view thereof.

1 Claim, 6 Drawing Sheets

(56) **References Cited**

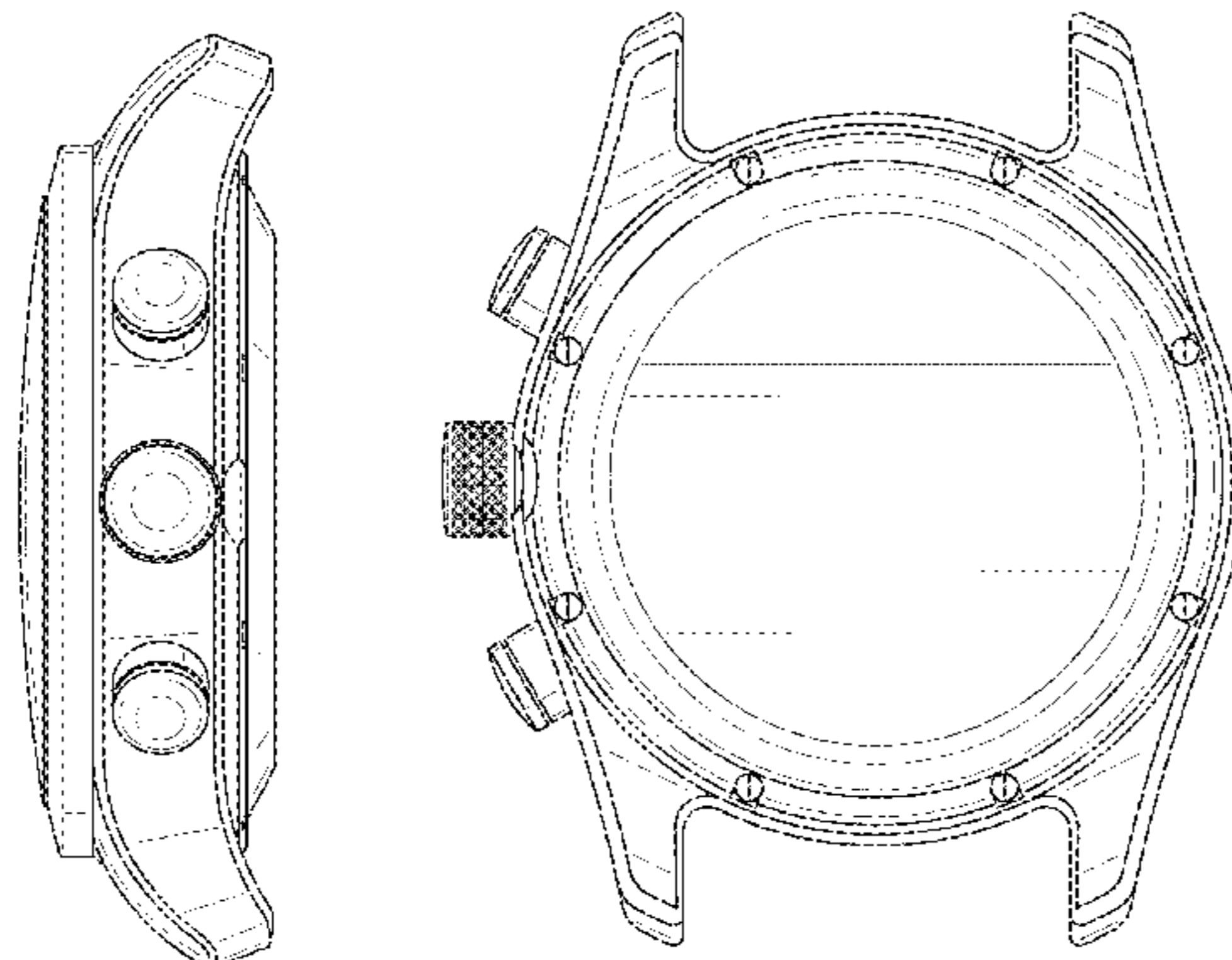
U.S. PATENT DOCUMENTS

D186,180 S * 9/1959 Diamond D10/39

4,748,603 A * 5/1988 Ray G04B 33/08 368/223

5,113,381 A * 5/1992 Sakamoto G04C 3/008 368/74

D327,851 S * 7/1992 Besson D10/32



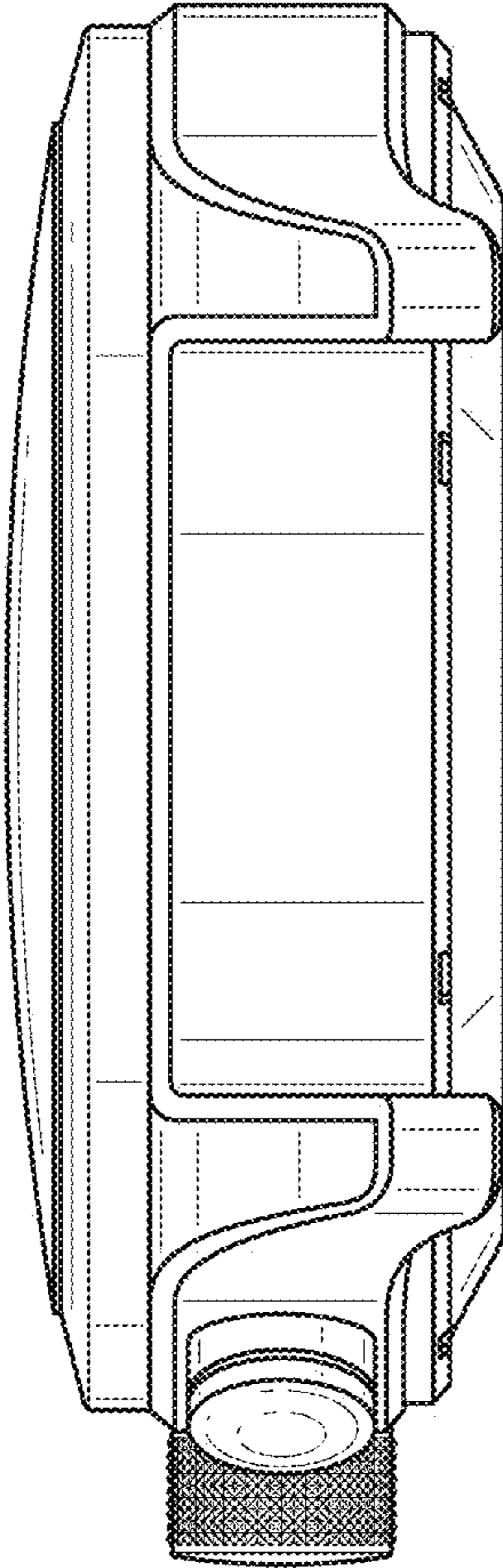


FIG. 1

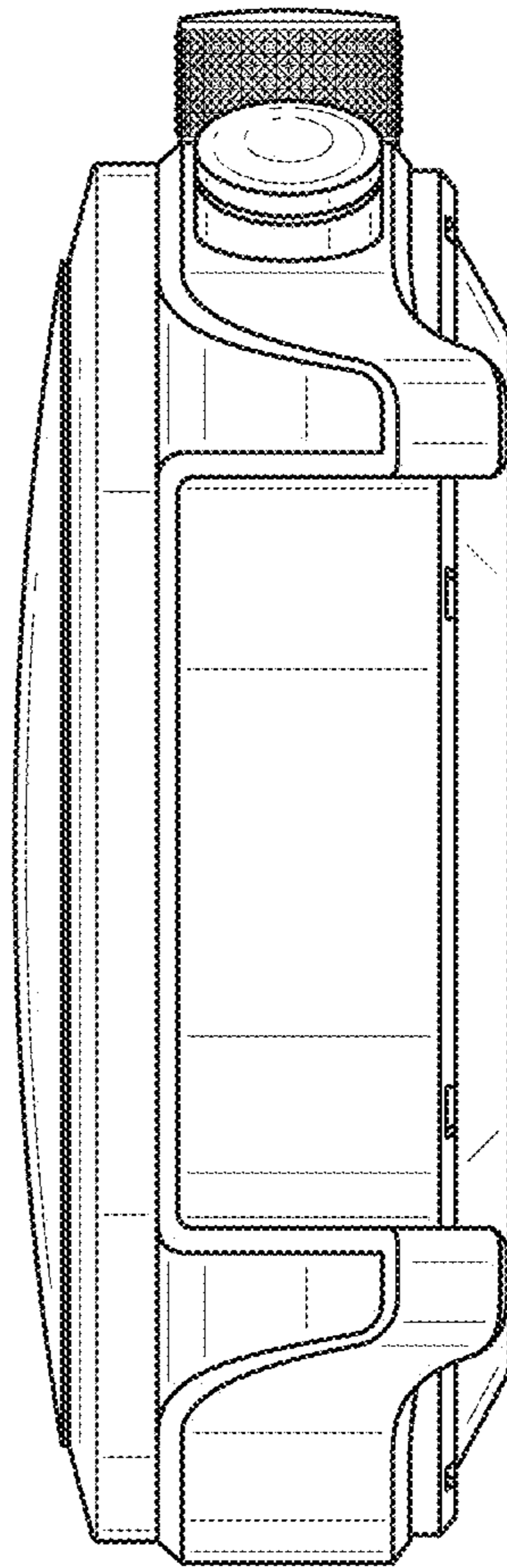


FIG. 2

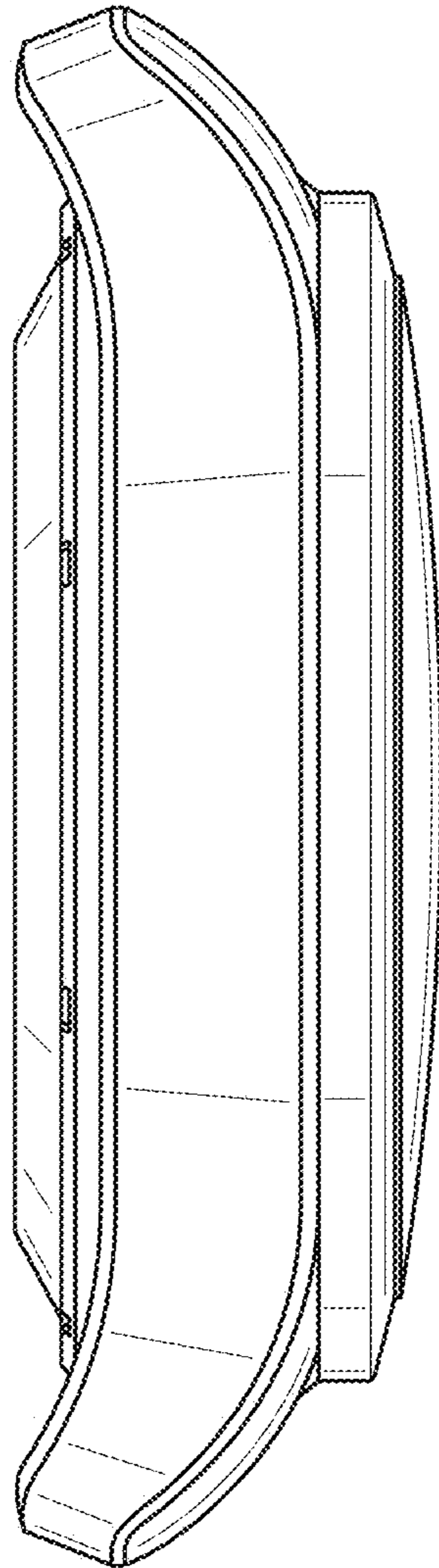


FIG. 3

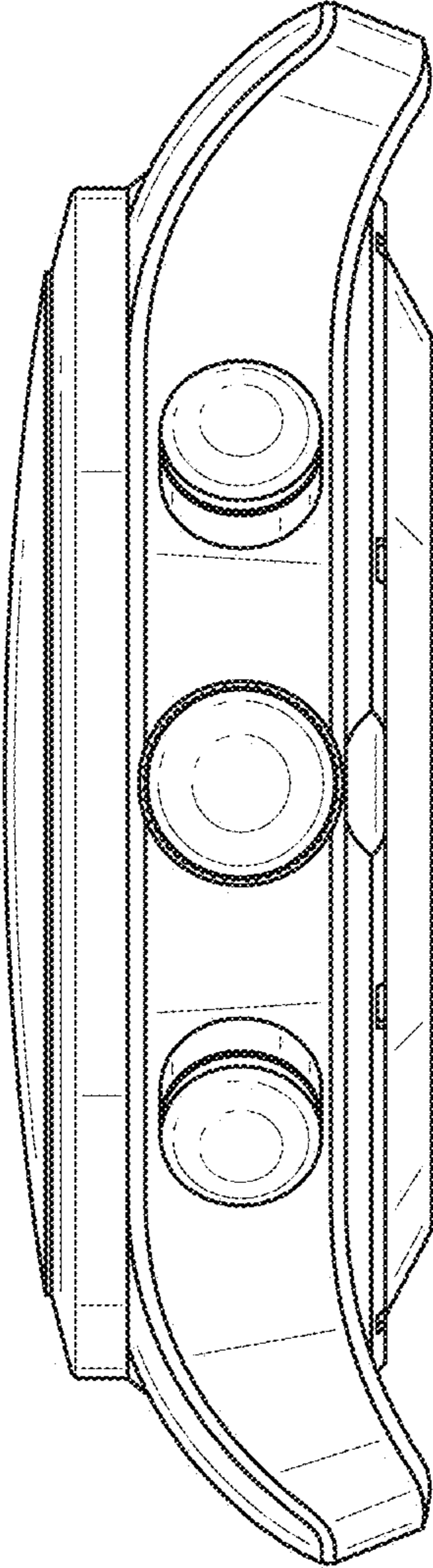


FIG. 4

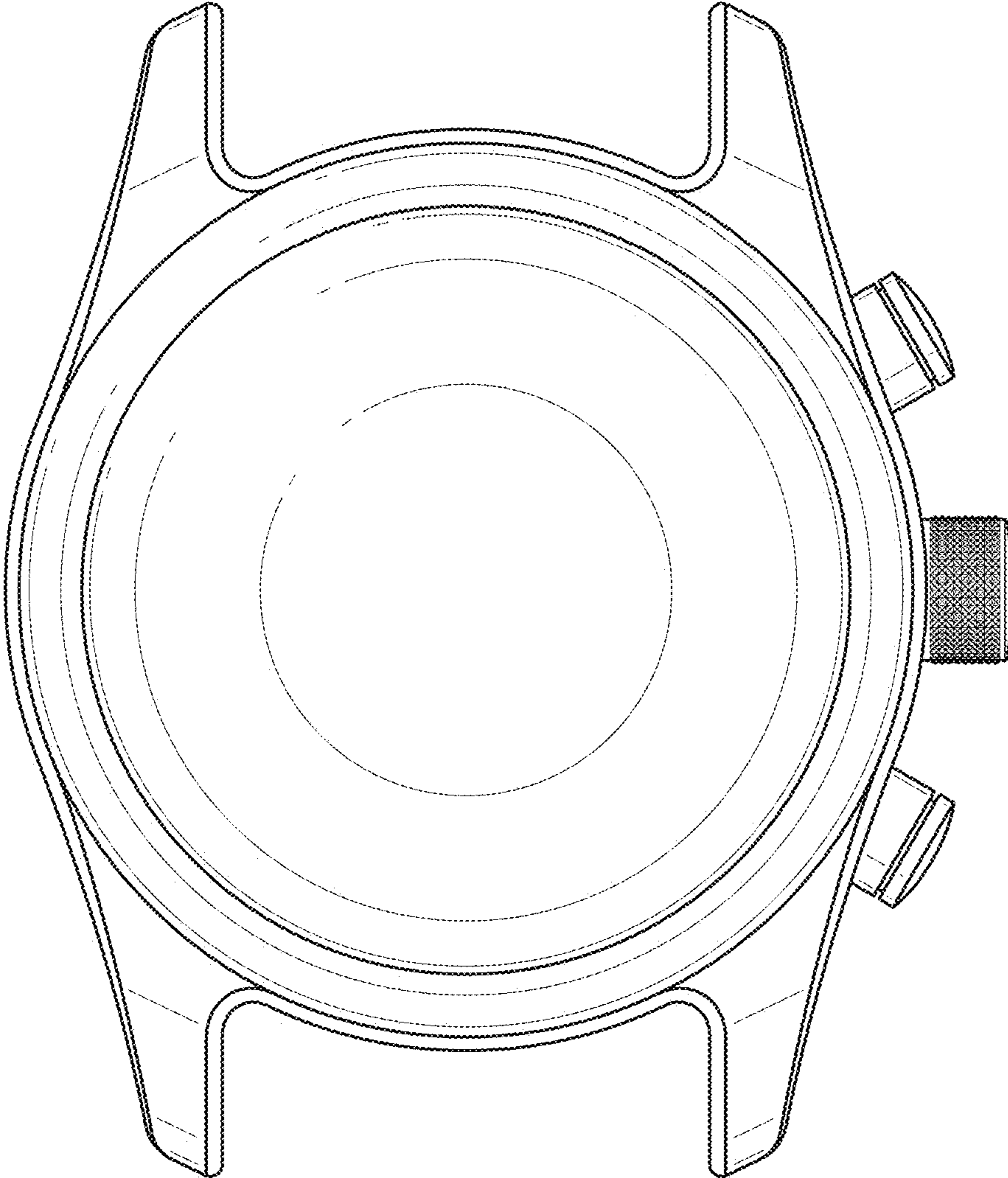


FIG. 5

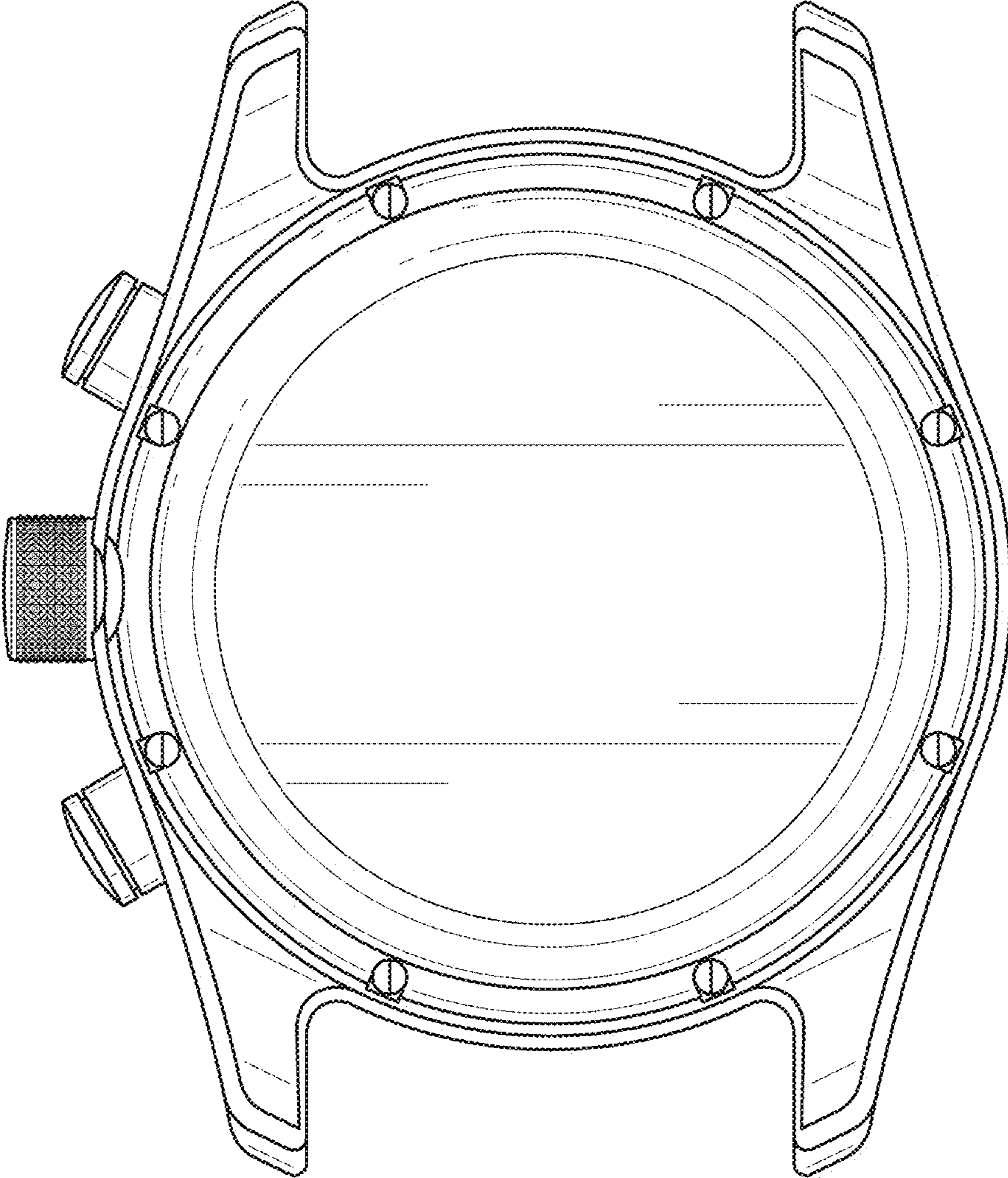


FIG. 6