

US00D769133S

(12) **United States Design Patent** (10) **Patent No.:** **US D769,133 S**
Bryant (45) **Date of Patent:** **** Oct. 18, 2016**

(54) **BATHROOM MIRROR CLOCK**
(71) Applicant: **Lula Bryant**, Miramar, FL (US)
(72) Inventor: **Lula Bryant**, Miramar, FL (US)
(**) Term: **14 Years**
(21) Appl. No.: **29/519,186**
(22) Filed: **Mar. 3, 2015**
(51) **LOC (10) Cl.** **10-01**
(52) **U.S. Cl.**
USPC **D10/24**
(58) **Field of Classification Search**
USPC D10/30-39, 122-132, 276, 281, 40;
D6/300-303, 308-314; 40/700, 711,
40/714-716, 717, 720, 722, 725, 735, 765,
40/766, 728, 780, 790, 798, 800; 362/232,
362/223, 228, 285, 316-317
CPC .. G04B 19/00; G04B 37/00; G04B 37/0008;
G04B 37/0058; G04B 37/12; G04B 37/008;
G04B 37/081; G04B 37/106; G04B 39/00;
G04B 3/048; G04B 45/00; G04B 45/0069;
G04B 21/08; G04G 17/00; G04G 17/08
See application file for complete search history.

D481,207 S * 10/2003 Sheldon D6/300
D496,361 S * 9/2004 Hotta D14/374
D503,285 S * 3/2005 Chen D10/2
D504,574 S * 5/2005 Fonfeder D6/300
D550,270 S * 9/2007 Astill D16/241
D558,460 S * 1/2008 Yu D14/341
D560,369 S * 1/2008 Chiang D14/374
7,347,091 B2 3/2008 Gillette
D565,538 S * 4/2008 Bhavnani D14/168
D569,629 S * 5/2008 Yu D6/308
D572,023 S * 7/2008 Park D14/371
D630,207 S * 1/2011 Seong D14/341
D636,769 S * 4/2011 Wood D14/341
D668,250 S * 10/2012 Flagiello D14/341
D684,967 S * 6/2013 Flagiello D14/341
D689,288 S * 9/2013 Zadro D6/312
2006/0150464 A1* 7/2006 Lindsey A47G 1/065
40/735
2015/0107142 A1* 4/2015 Burrous A47G 1/0622
40/714

* cited by examiner

Primary Examiner — Susan Bennett Hattan
Assistant Examiner — Jennifer Wright

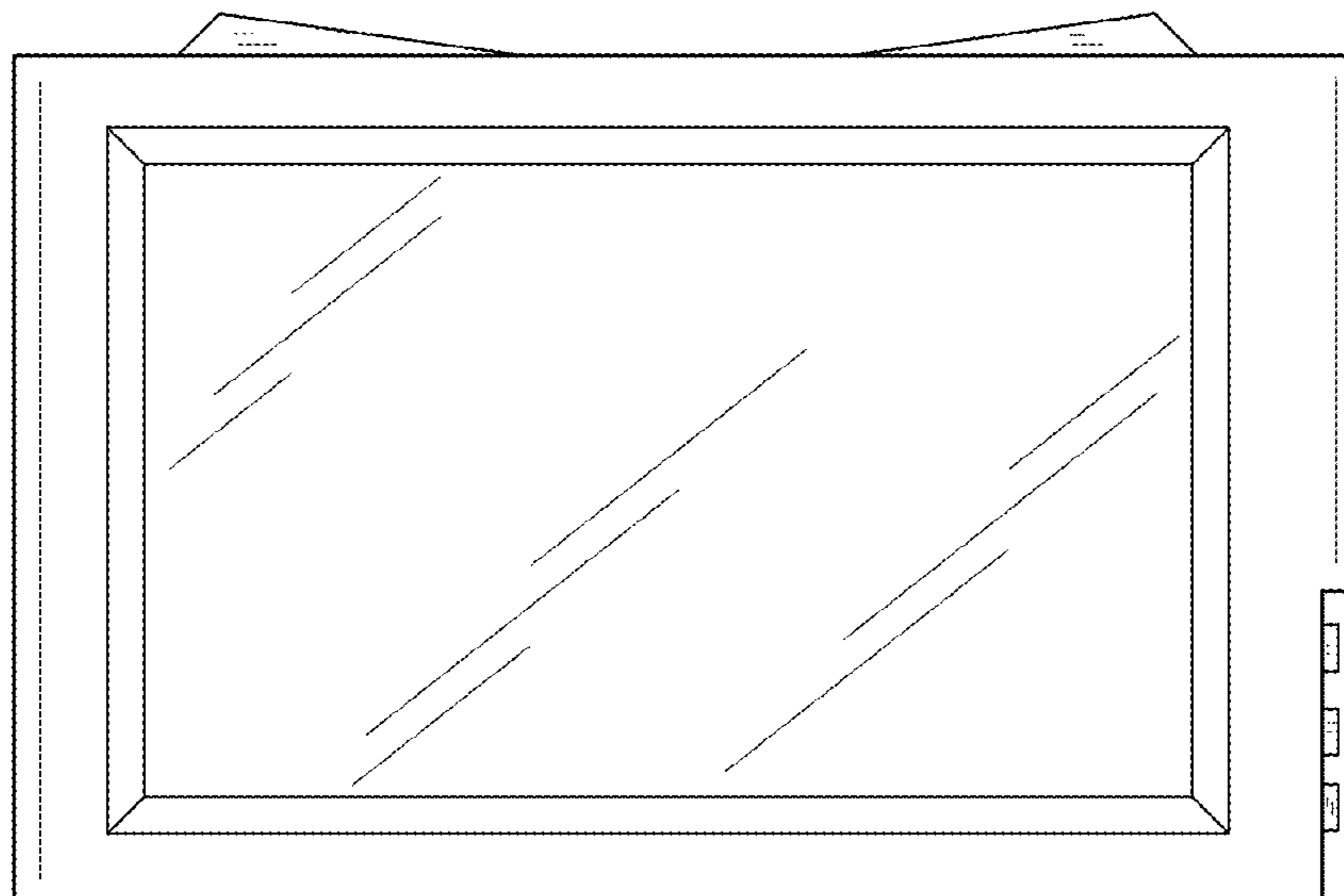
(57) **CLAIM**
I claim the ornamental design for a bathroom mirror clock,
as shown and described.

DESCRIPTION

FIG. 1 is a front view of the bathroom mirror clock.
FIG. 2 is a back view of the claimed design.
FIG. 3 is a left view of the claimed design.
FIG. 4 is a right view of the claimed design.
FIG. 5 is a top view of the claimed design.
FIG. 6 is a bottom view of the claimed design; and,
FIG. 7 is a perspective view of the claimed design.
The broken lines in FIG. 2 depict portions of the bathroom
mirror clock that form no part of the claimed design.

1 Claim, 5 Drawing Sheets

(56) **References Cited**
U.S. PATENT DOCUMENTS
D267,205 S 12/1982 Weinhart
RE32,576 E 1/1988 Pastore
D304,691 S 11/1989 Kubo
D375,098 S * 10/1996 Moallemi D14/167
5,638,339 A 6/1997 DeLoretto
D417,963 S * 12/1999 McGrane D6/300
6,149,277 A 11/2000 Broussard
6,345,015 B1 2/2002 Coulson
D465,095 S * 11/2002 Clark D6/300



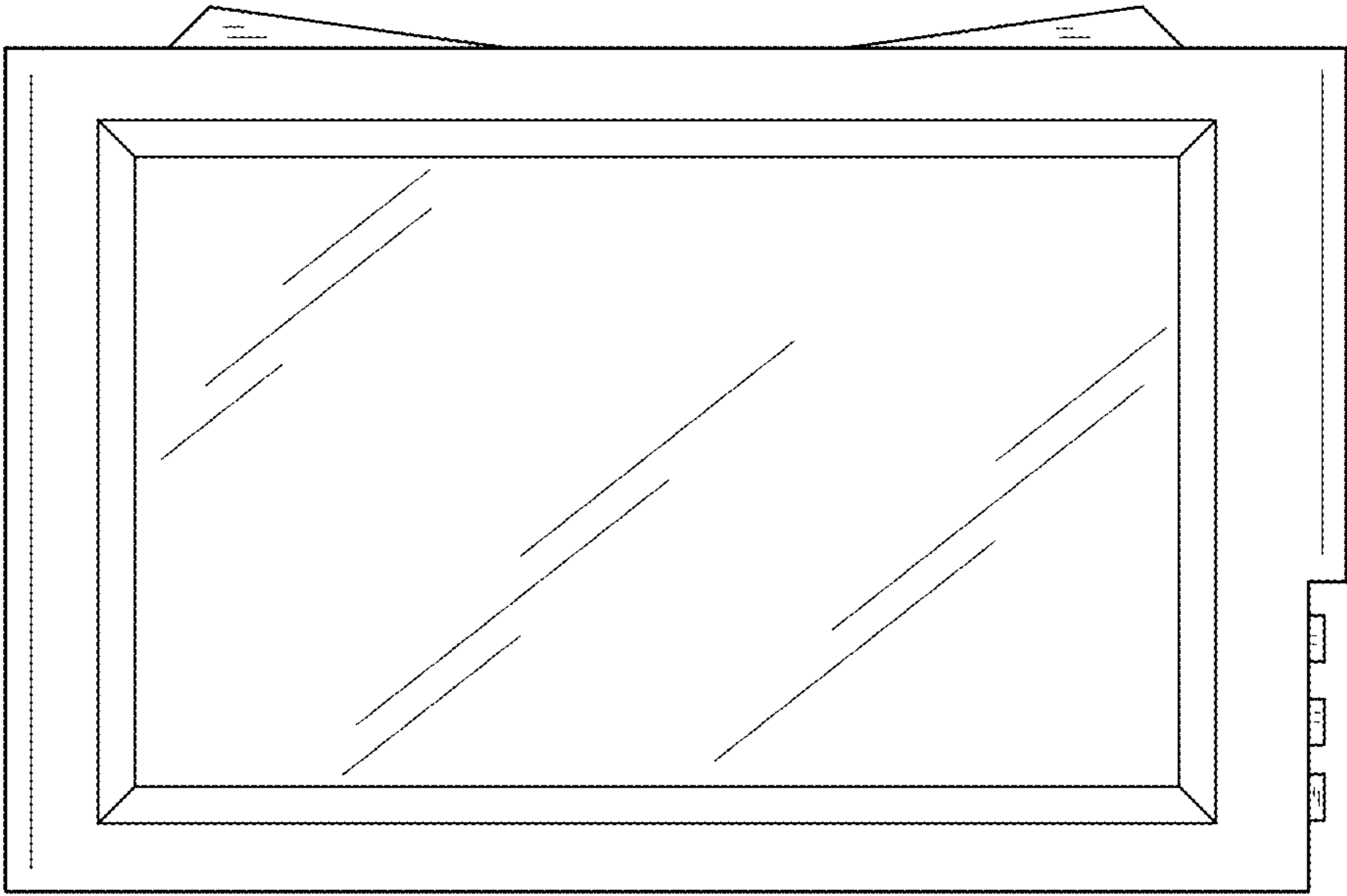


FIG. 1

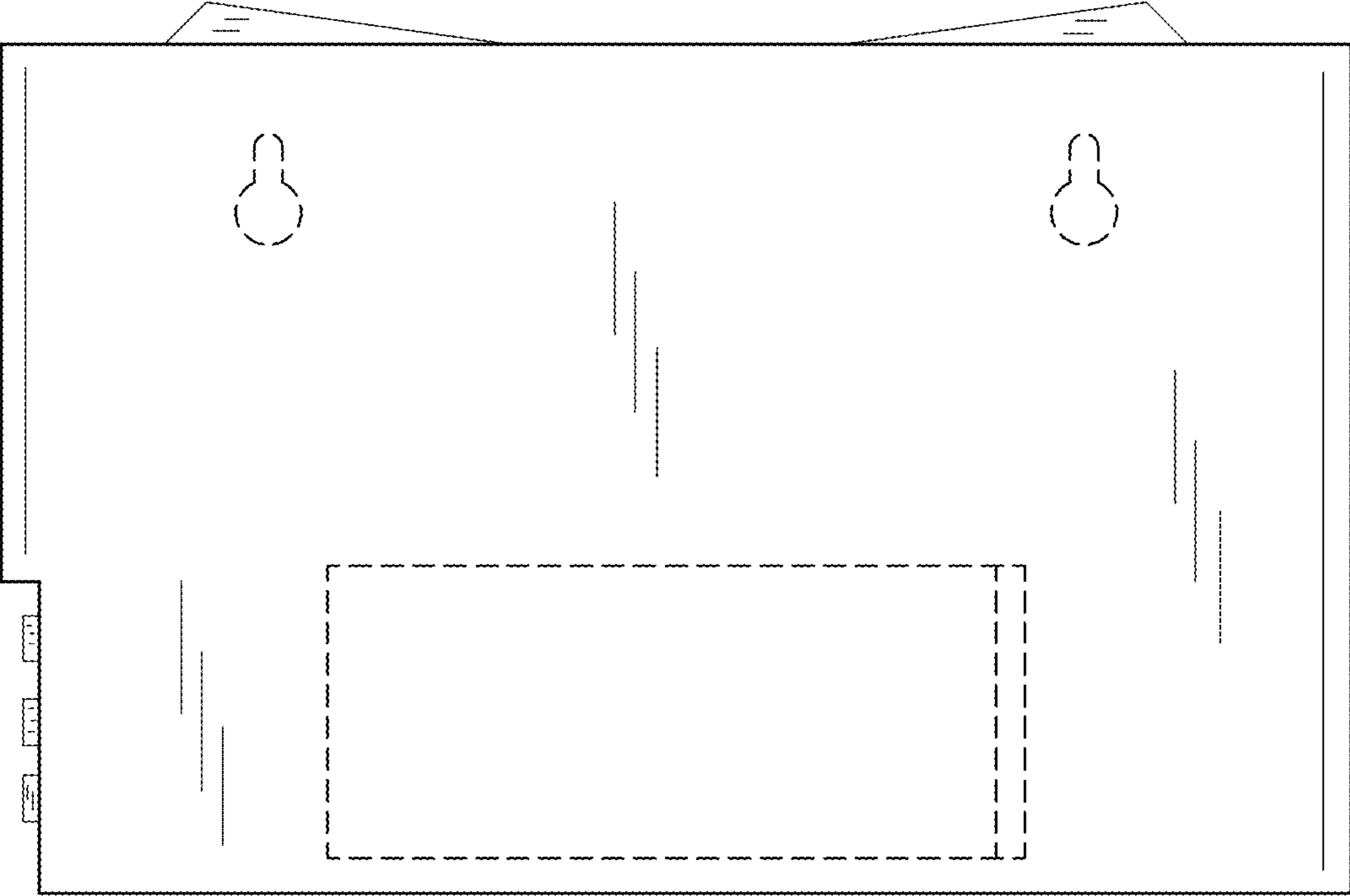


FIG. 2

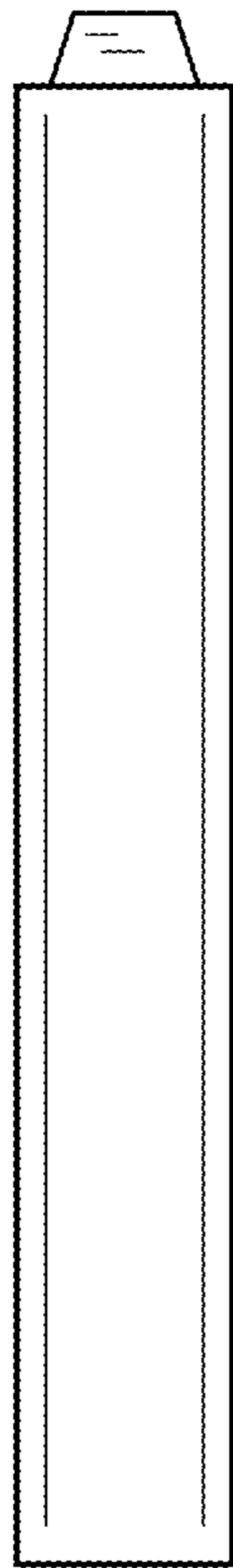


FIG. 3

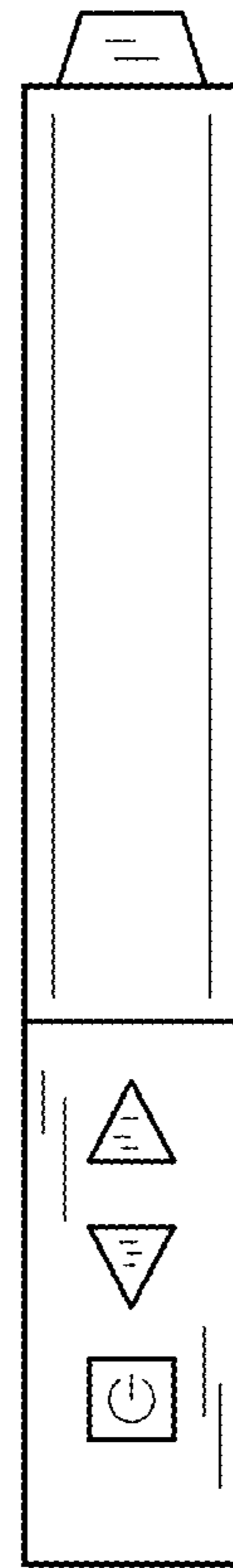


FIG. 4



FIG. 5



FIG. 6

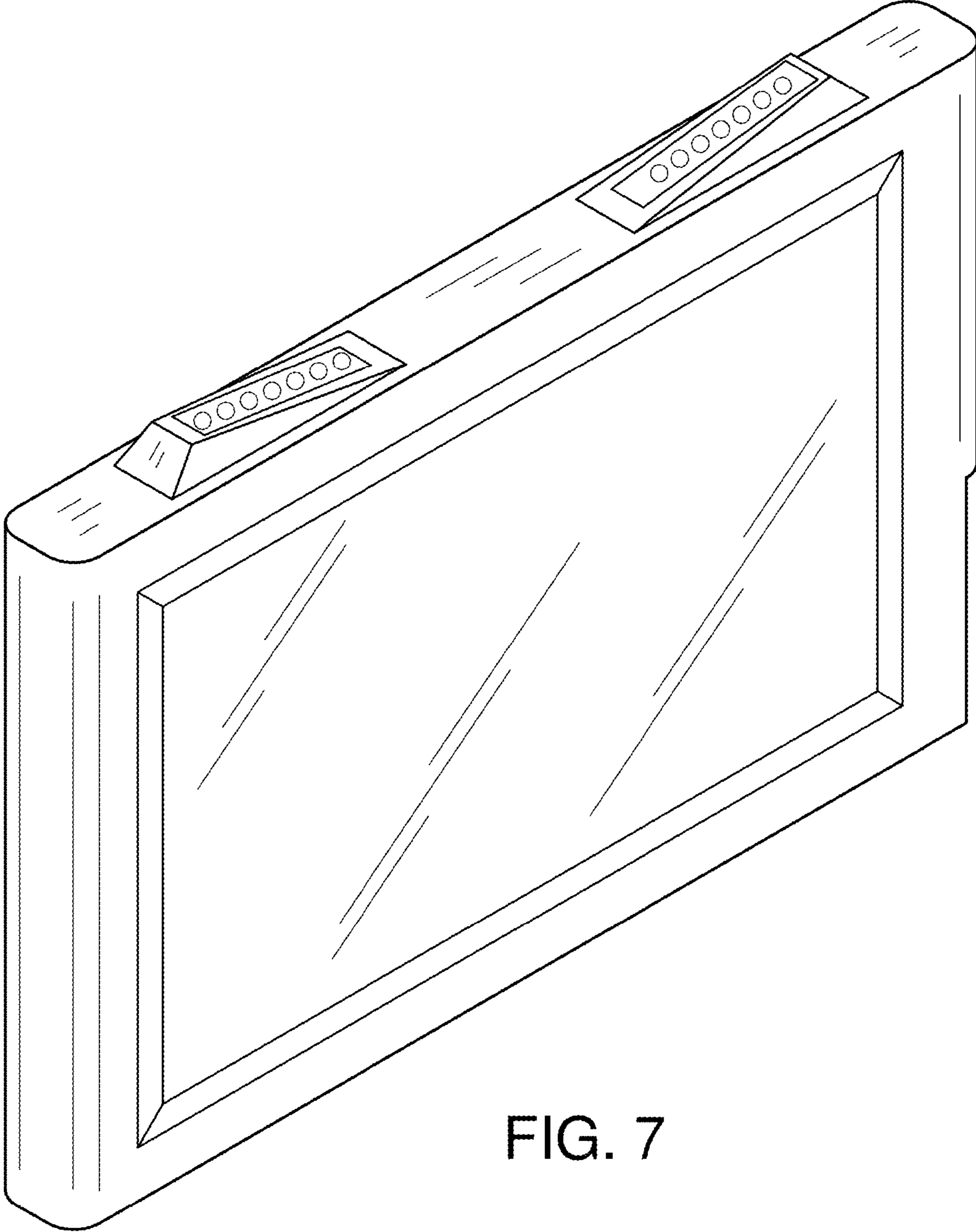


FIG. 7