



US00D769131S

(12) **United States Design Patent** (10) **Patent No.:** **US D769,131 S**
Church et al. (45) **Date of Patent:** **** Oct. 18, 2016**

(54) **PACKAGING ASSEMBLY**

- (71) Applicant: **PolyOne Designed Structures and Solutions LLC**, Avon Lake, OH (US)
- (72) Inventors: **John Roy Church**, Neshkoro, WI (US); **Christopher Patrick Bray**, Lake St. Louis, MO (US); **Joy Marie Christensen**, St. Louis, MO (US)
- (73) Assignee: **PolyOne Designed Structures and Solutions LLC**, Avon Lake, OH (US)
- (**) Term: **14 Years**
- (21) Appl. No.: **29/507,851**
- (22) Filed: **Oct. 31, 2014**

- (51) **LOC (10) Cl.** **09-03**
- (52) **U.S. Cl.**
USPC **D9/761; D9/756**
- (58) **Field of Classification Search**
USPC D9/737, 738, 741, 743, 747, 749, 756, D9/759, 761, 337, 414, 424, 425, 426, 430, D9/432, 416, 428, 429, 431; D7/550, D7/550.1, 553, 553.1, 554.1, 555, 557, D7/601, 602, 541, 513; D3/201, D3/203.1-203.1, 304, 310, 313, 318, 319; D24/118, 207, 227; 215/325; 222/92, 222/95, 102, 145.1, 183, 215; 206/532, 206/528, 534.1, 538, 519, 526, 541, 561, 206/564; 220/23.8, 359.2, 359.1, 500, 555, 220/657, 659, 904, 23.6; 426/115, 119, 426/128; 434/259; 273/293; 229/125.35, 229/406, 246, 123.1, 5.5, 200-203, 404, 229/120.1; D30/130; D6/530; D32/53.1
CPC B65D 1/30; B65D 21/02; B65D 21/0202; B65D 21/0231; B65D 2543/00296; B65D 2577/2083; B65D 43/162; B65D 5/009; B65D 75/327; B65D 75/527; B65D 75/5888; B65D 81/361; G09B 1/36
See application file for complete search history.

(56) **References Cited**

U.S. PATENT DOCUMENTS

- 3,511,433 A * 5/1970 Andrews B65D 43/162 220/4.23
- 3,567,013 A * 3/1971 Tannebaum B65D 75/225 206/538
- 3,673,987 A * 7/1972 Fletcher B65D 1/30 119/490
- 3,845,574 A * 11/1974 Majewski G09B 1/36 273/293
- D241,622 S * 9/1976 Smith D9/760
- 4,067,475 A * 1/1978 Pinkau B65D 81/361 206/504
- D261,465 S * 10/1981 Minchew D30/130
- D273,765 S * 5/1984 Cillario D9/425
- D316,971 S * 5/1991 Kearnes D9/424
- 5,310,071 A * 5/1994 Rivlin B65D 81/361 206/509
- 5,409,127 A * 4/1995 Stratford B65D 1/30 220/23.4

(Continued)

OTHER PUBLICATIONS

New Package Design by PolyOne, available Mar. 7, 2016, [online], [site visited Mar. 7, 2016]. Available from internet, <URL: <http://www.polyone.com/idea/new-packaging-design-delivers-space-savings-and-efficiency>>.*

(Continued)

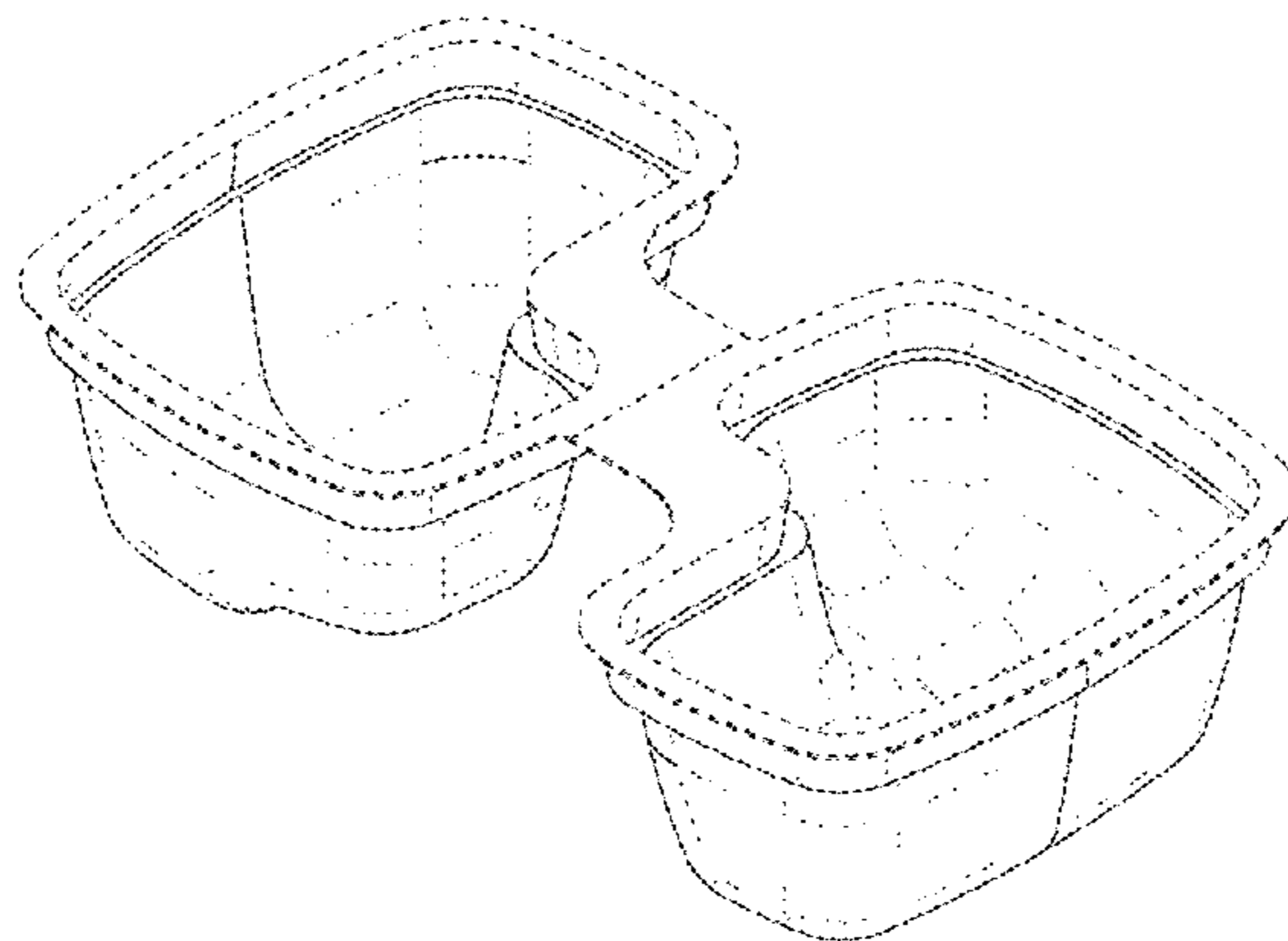
Primary Examiner — Cathron Brooks
Assistant Examiner — Teddy Falloway
(74) *Attorney, Agent, or Firm* — Michael J. Sambrook

(57) **CLAIM**
The ornamental design for a packaging assembly, as shown and described.

DESCRIPTION

FIG. 1 is a perspective view of a packaging assembly showing our new design
FIG. 2 is a front view thereof;
FIG. 3 is side view thereof;
FIG. 4 is a top view thereof; and,
FIG. 5 is a bottom view thereof.
The broken lines in the drawings show portions of the packaging assembly that form no part of the claimed design.

1 Claim, 5 Drawing Sheets



(56)

References Cited

U.S. PATENT DOCUMENTS

D365,272 S * 12/1995 Krupa D9/420
 D378,894 S * 4/1997 Mello D9/415
 5,810,187 A * 9/1998 Woodring B65D 67/02
 206/504
 D411,768 S * 7/1999 Woodring D3/314
 D417,785 S * 12/1999 Daniels D3/313
 D448,130 S * 9/2001 Wagner D32/53.1
 D456,707 S * 5/2002 Agarwal D9/717
 D485,942 S * 1/2004 McLeish D28/8.1
 D530,626 S * 10/2006 Tanja D9/416
 7,205,016 B2 4/2007 Garwood
 D543,452 S * 5/2007 Gehring D9/759
 D575,148 S * 8/2008 Sagel D9/761
 D591,174 S * 4/2009 Larson D9/425
 D596,954 S * 7/2009 Jimenez D9/423
 D659,023 S * 5/2012 Hsu D9/737
 D679,863 S * 4/2013 Sunder D28/8.1
 D687,715 S * 8/2013 Schill D9/414
 D700,016 S * 2/2014 Filbrun D7/553.1
 D713,741 S * 9/2014 Wilmers D9/424

9,038,820 B2 * 5/2015 Ashry B65D 5/009
 206/216
 D745,825 S * 12/2015 Bushida D9/429
 D747,959 S * 1/2016 Graham D9/414
 D750,974 S * 3/2016 McSweeney D9/426
 2004/0195255 A1 10/2004 Tucker et al.
 2006/0051463 A1 3/2006 Lopez-Garcia
 2006/0086640 A1 * 4/2006 Luciano A61J 7/0069
 206/534
 2011/0000812 A1 * 1/2011 Laupie B65D 1/20
 206/503
 2014/0054194 A1 * 2/2014 Ting B65D 81/022
 206/523

OTHER PUBLICATIONS

Boulder Brands, Inc., "Photo Release—Boulder Brands Introduces Innovative Packaging; Smart Balance & Earth Balance Spreads Switch to Square Packaging From Round; Move Saves 50 percent in Dairy Case & Warehouse Space," Press Release, May 15, 2013.

* cited by examiner

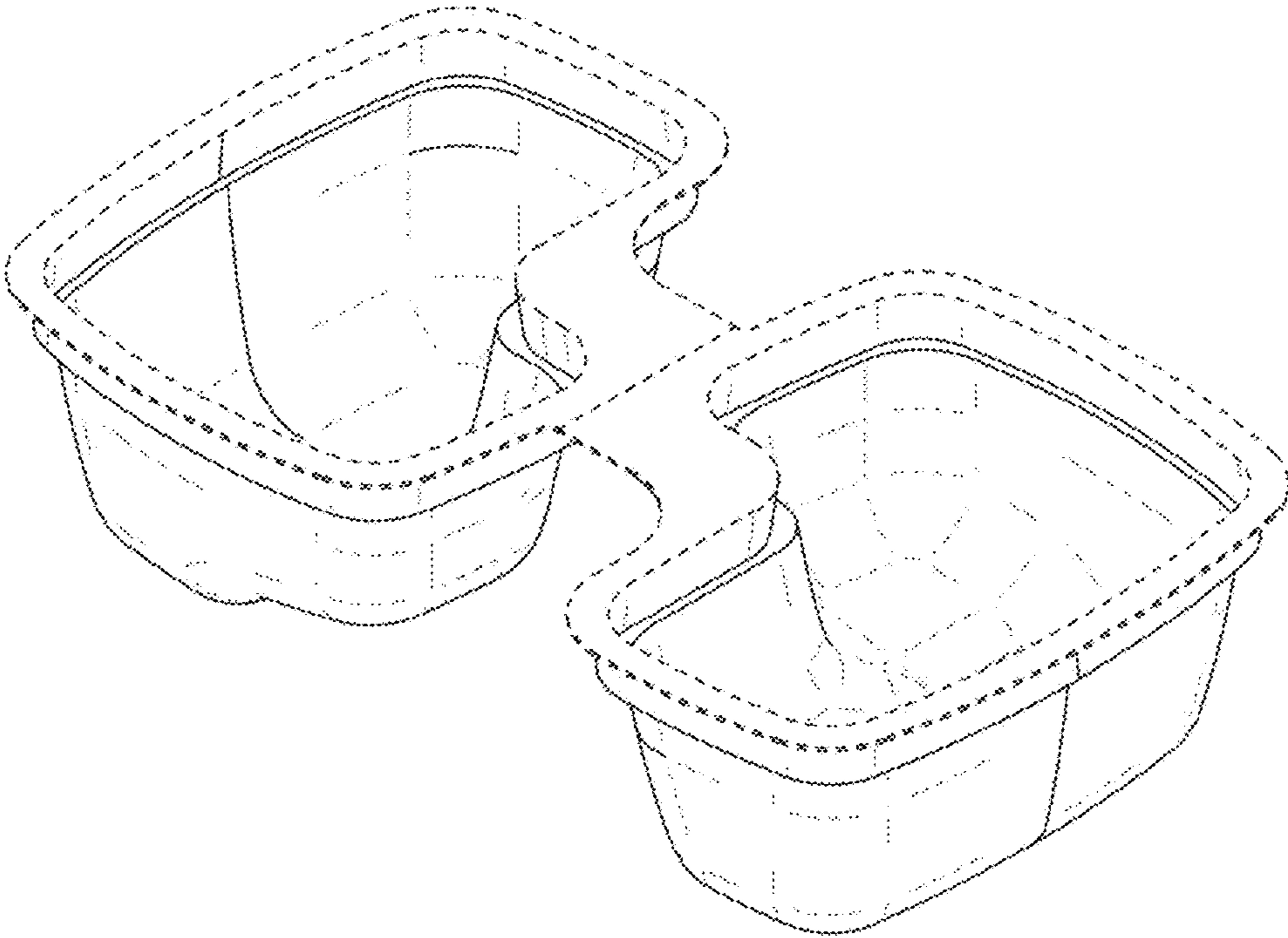


Fig. 1

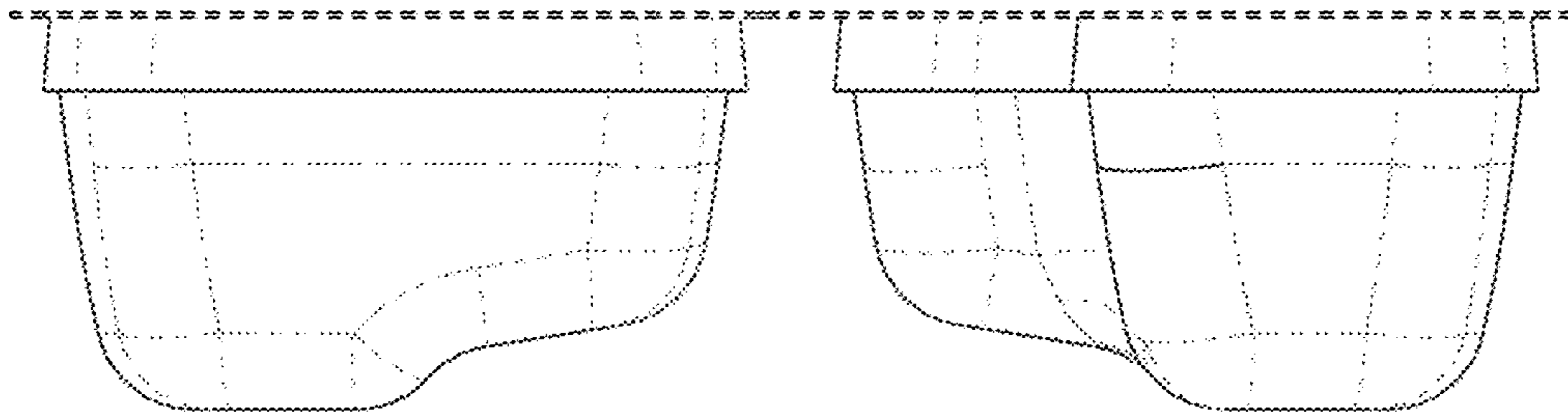


Fig. 2

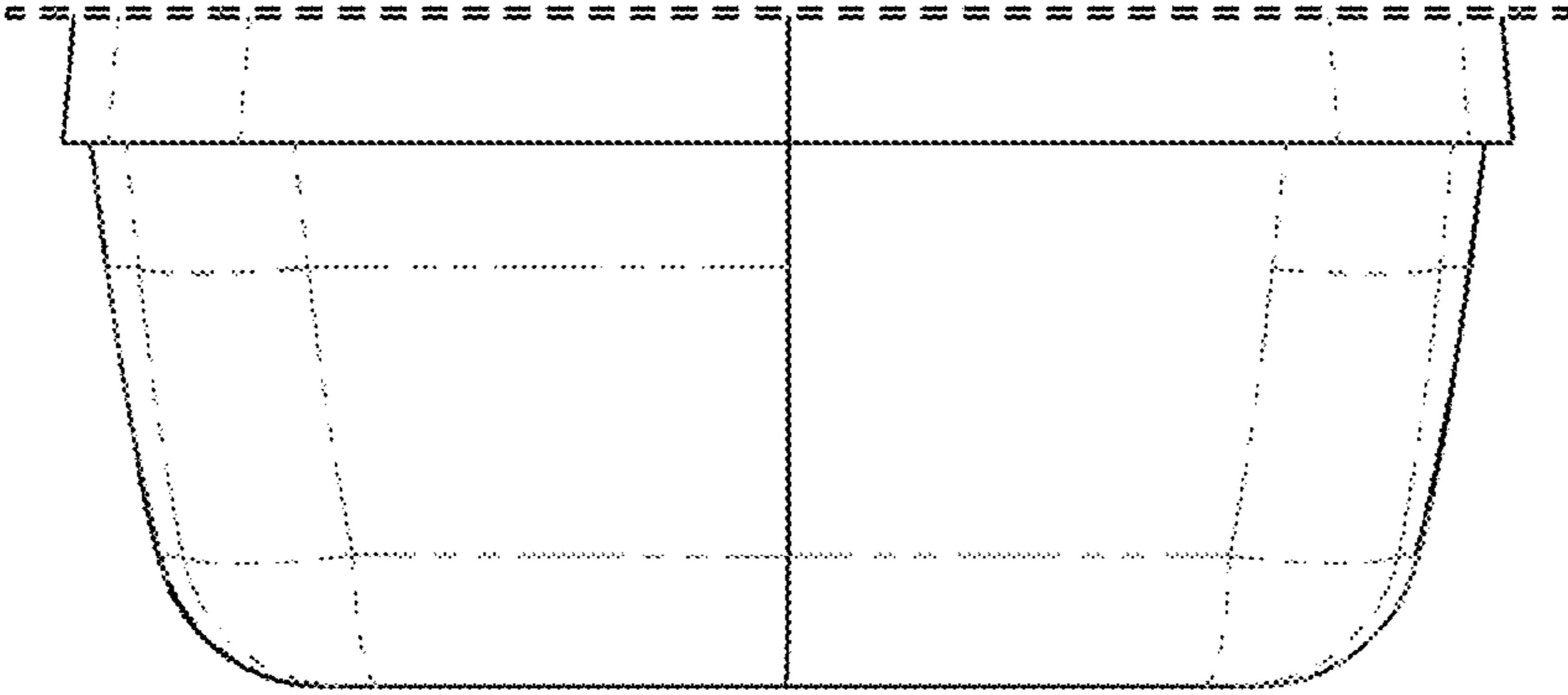


Fig. 3

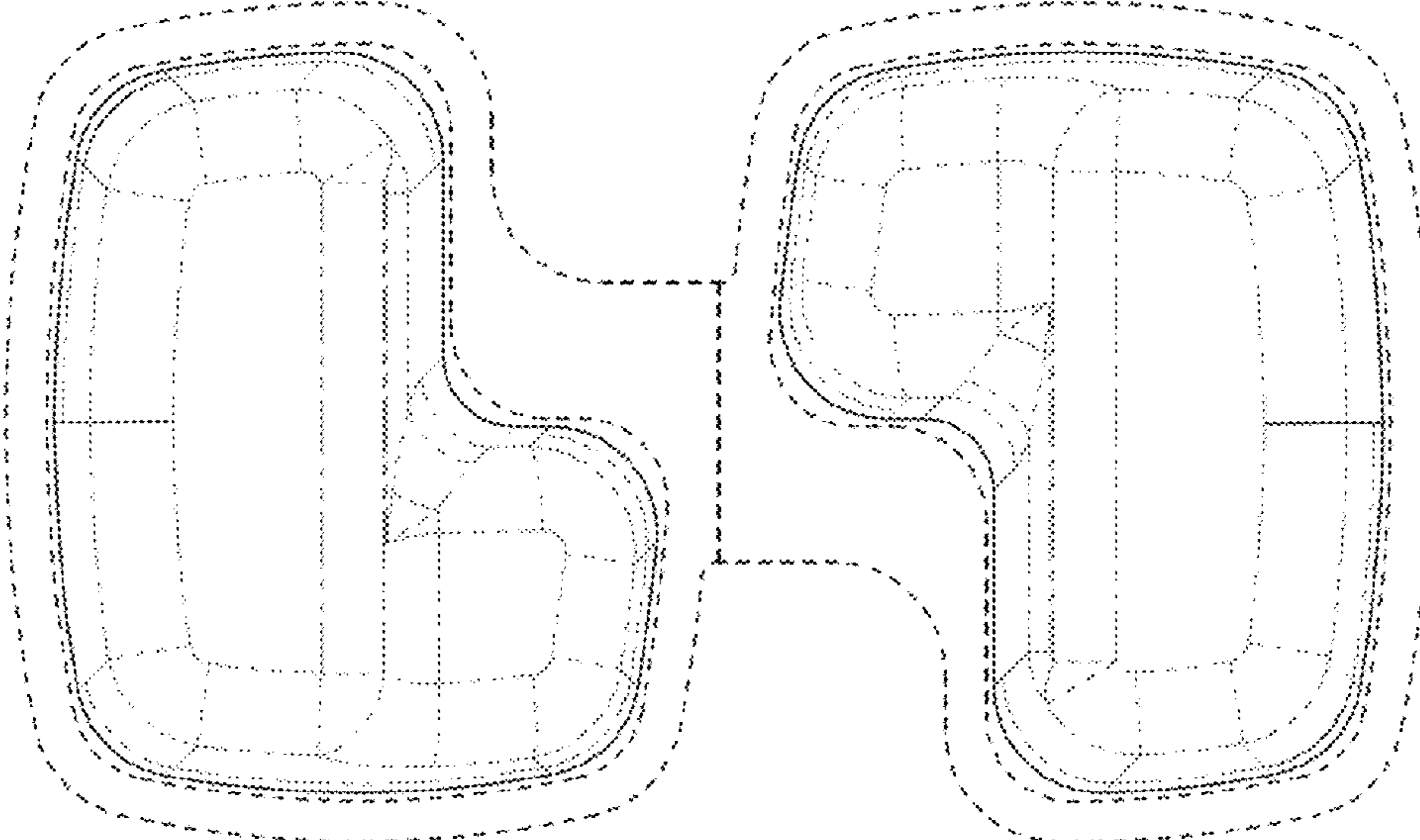


Fig. 4

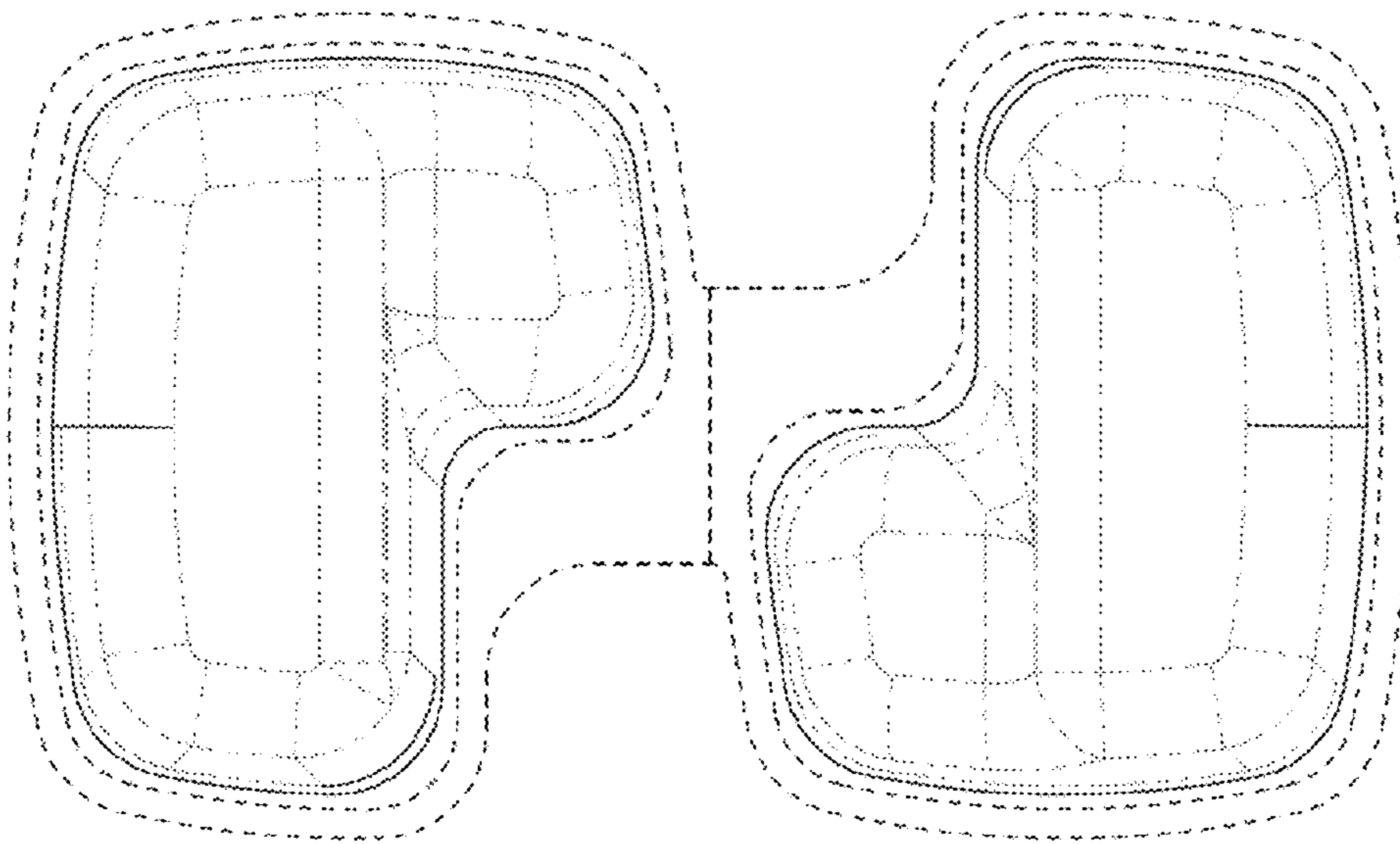


Fig. 5