



US00D769130S

(12) **United States Design Patent**
Lederer

(10) **Patent No.:** **US D769,130 S**

(45) **Date of Patent:** **** Oct. 18, 2016**

(54) **DISPENSER**

(71) Applicant: **Prime Resources Corp.**, Bridgeport,
CT (US)

(72) Inventor: **Jeffrey Lederer**, Greenwich, CT (US)

(73) Assignee: **Prime Resources Corp.**, Bridgeport,
CT (US)

(**) Term: **15 Years**

(21) Appl. No.: **29/542,406**

(22) Filed: **Oct. 14, 2015**

(51) **LOC (10) Cl.** **09-05**

(52) **U.S. Cl.**
USPC **D9/708**

(58) **Field of Classification Search**
USPC D9/702-714, 720-722, 414, 434-435,
D9/696, 716, 771, 447, 516-517, 738-747,
D9/544, 520-521; D24/118, 207, 108;
383/6, 9, 22, 96, 61.1, 80-81, 104,
383/901, 63, 203, 107, 119-120, 123, 61.2,
383/44; 220/675, 495.03; 215/381-385,
215/400, 328, 316; 206/484; D3/202;
428/34.3; 222/92, 215, 95, 107;
604/408, 403, 415
CPC B65D 41/00; B65D 41/02; B65D 41/04;
B65D 41/12; B65D 41/26; B65D 41/34;
B65D 1/00; B65D 1/02; B65D 1/32; B65D
1/023; B65D 11/00; B65D 11/04; B65D
11/20; A61J 1/10; A61J 1/2089; A61J 1/201;
A61J 1/2096

See application file for complete search history.

(56) **References Cited**

U.S. PATENT DOCUMENTS

D304,546 S *	11/1989	Cattach	D24/118
D555,011 S *	11/2007	Spanjaard	D9/631
D583,255 S *	12/2008	Castor	D9/708
D593,870 S *	6/2009	Wehling	D9/708
D626,857 S *	11/2010	Spanjaard	D9/631
D627,237 S *	11/2010	Ueda	D9/708
D687,319 S *	8/2013	Panetta	D9/709
D700,846 S *	3/2014	LaMartina, IV	D9/708
D716,668 S *	11/2014	James	D9/709
D738,223 S *	9/2015	Chan	D9/708

* cited by examiner

Primary Examiner — Abraham Bahta

(74) *Attorney, Agent, or Firm* — Myers Wolin, LLC

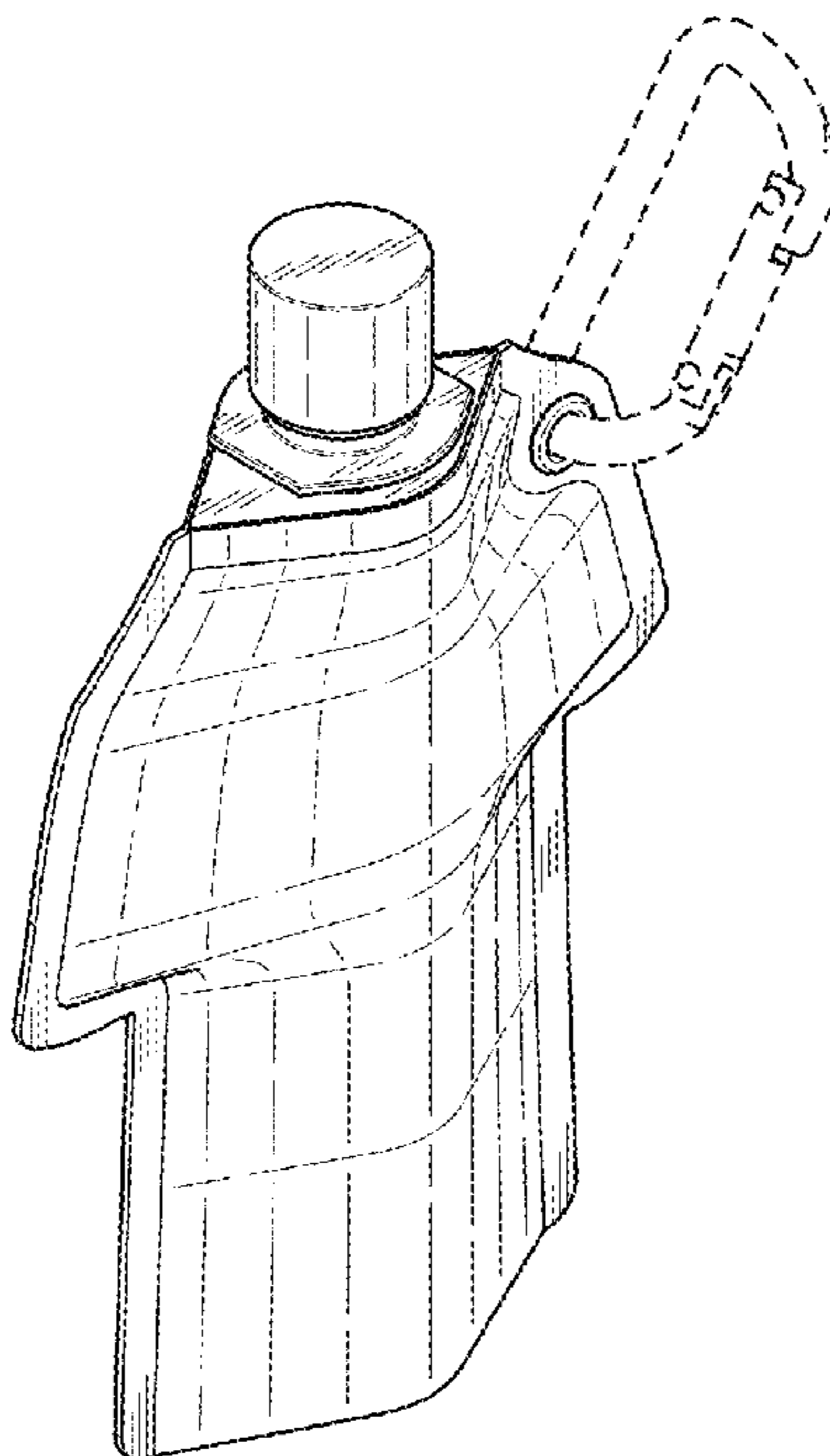
(57) **CLAIM**

The ornamental design for a dispenser, as shown and described.

DESCRIPTION

FIG. 1 is a front-top perspective view of the dispenser showing my new design;
FIG. 2 is a rear-bottom perspective view thereof;
FIG. 3 is a front elevation view thereof;
FIG. 4 is a left side elevation view thereof;
FIG. 5 is a right side elevation view thereof;
FIG. 6 is a top view thereof;
FIG. 7 is a bottom view thereof; and,
FIG. 8 is a rear elevation view thereof.
The broken lines are for illustrative purposes and form no part of the claimed design.

1 Claim, 3 Drawing Sheets



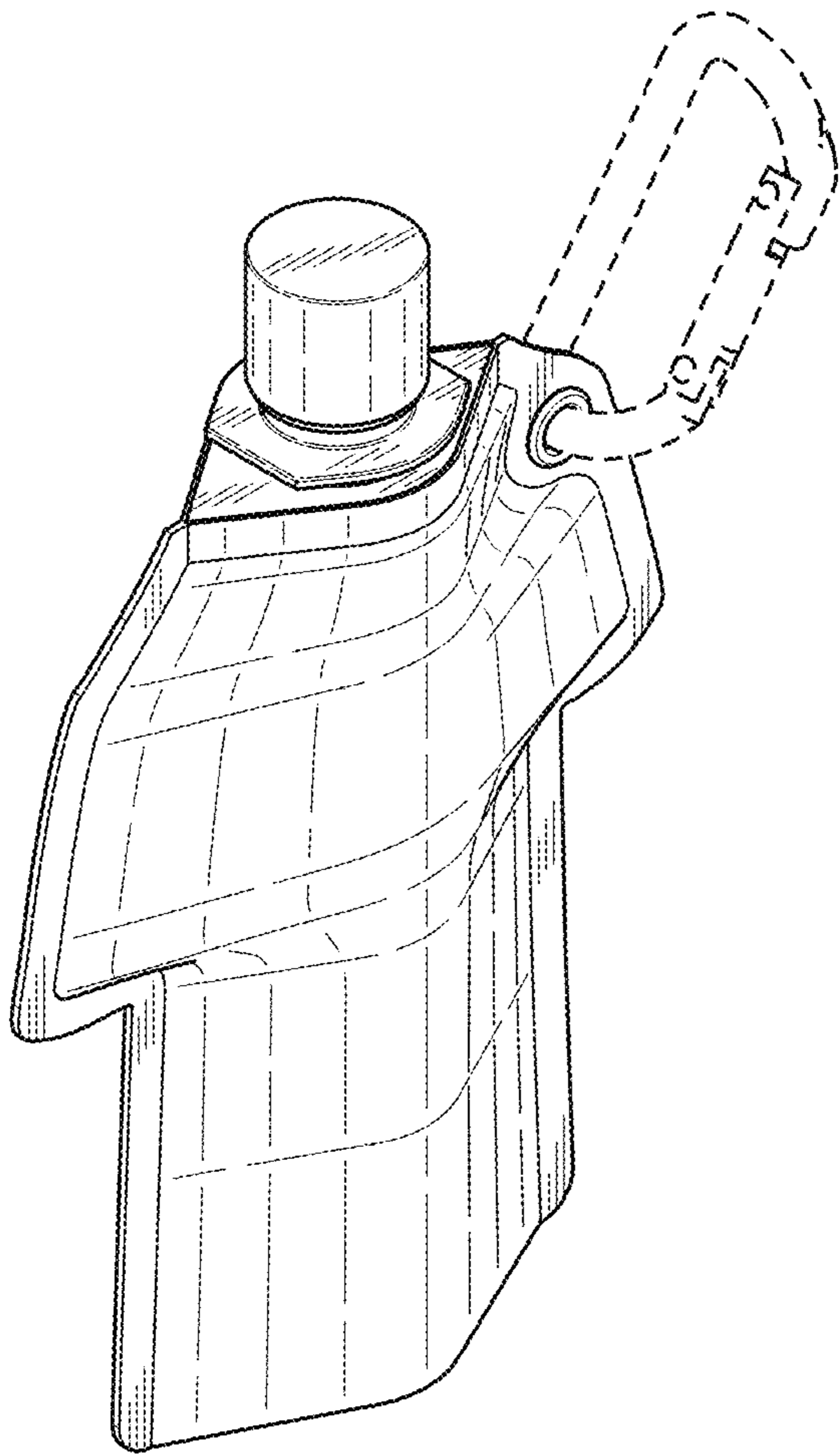


FIG. 1

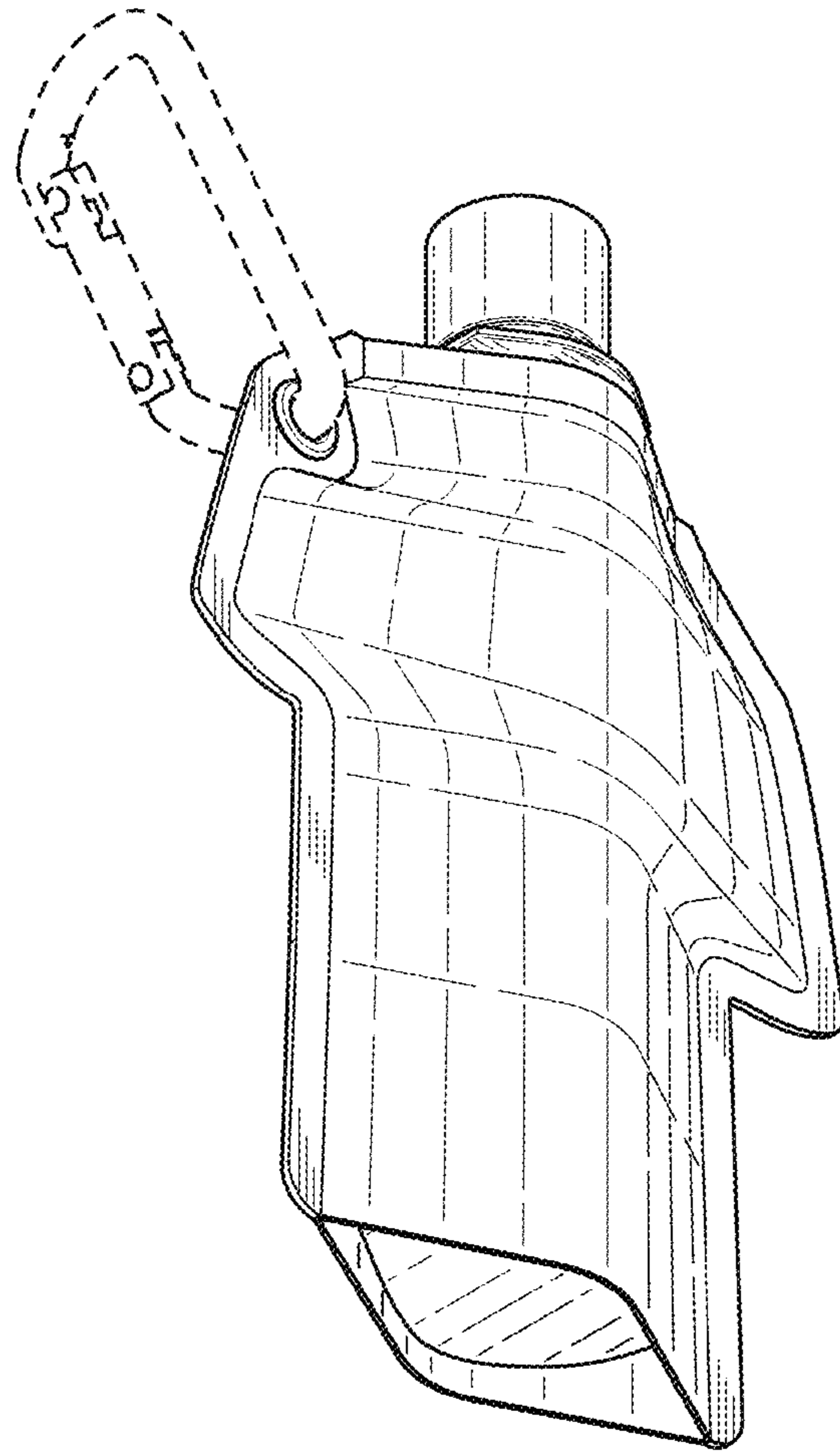


FIG. 2

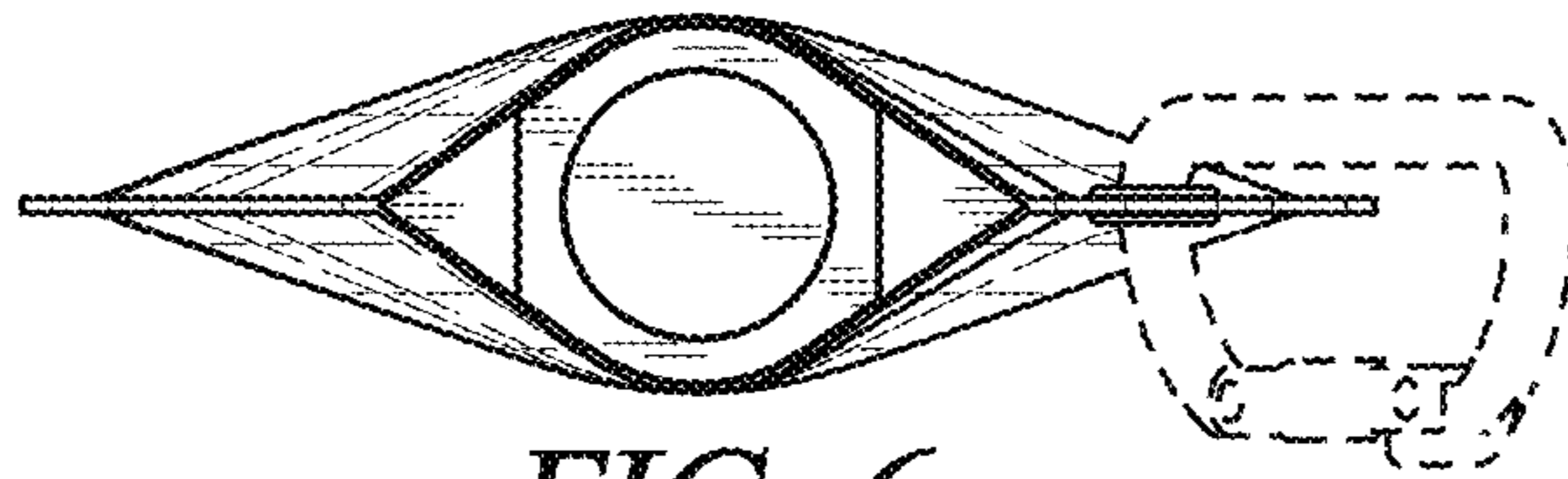


FIG. 6

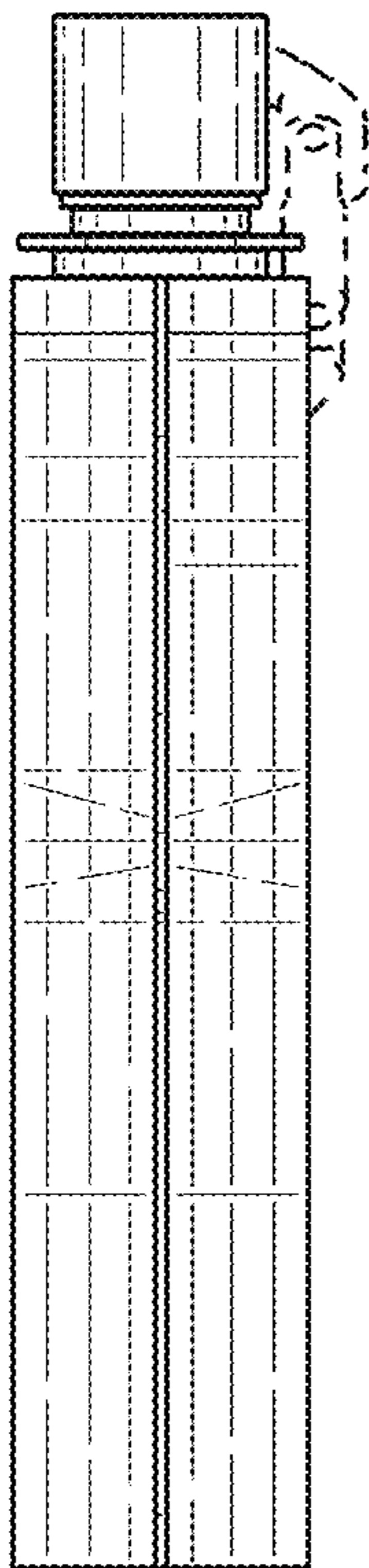


FIG. 4

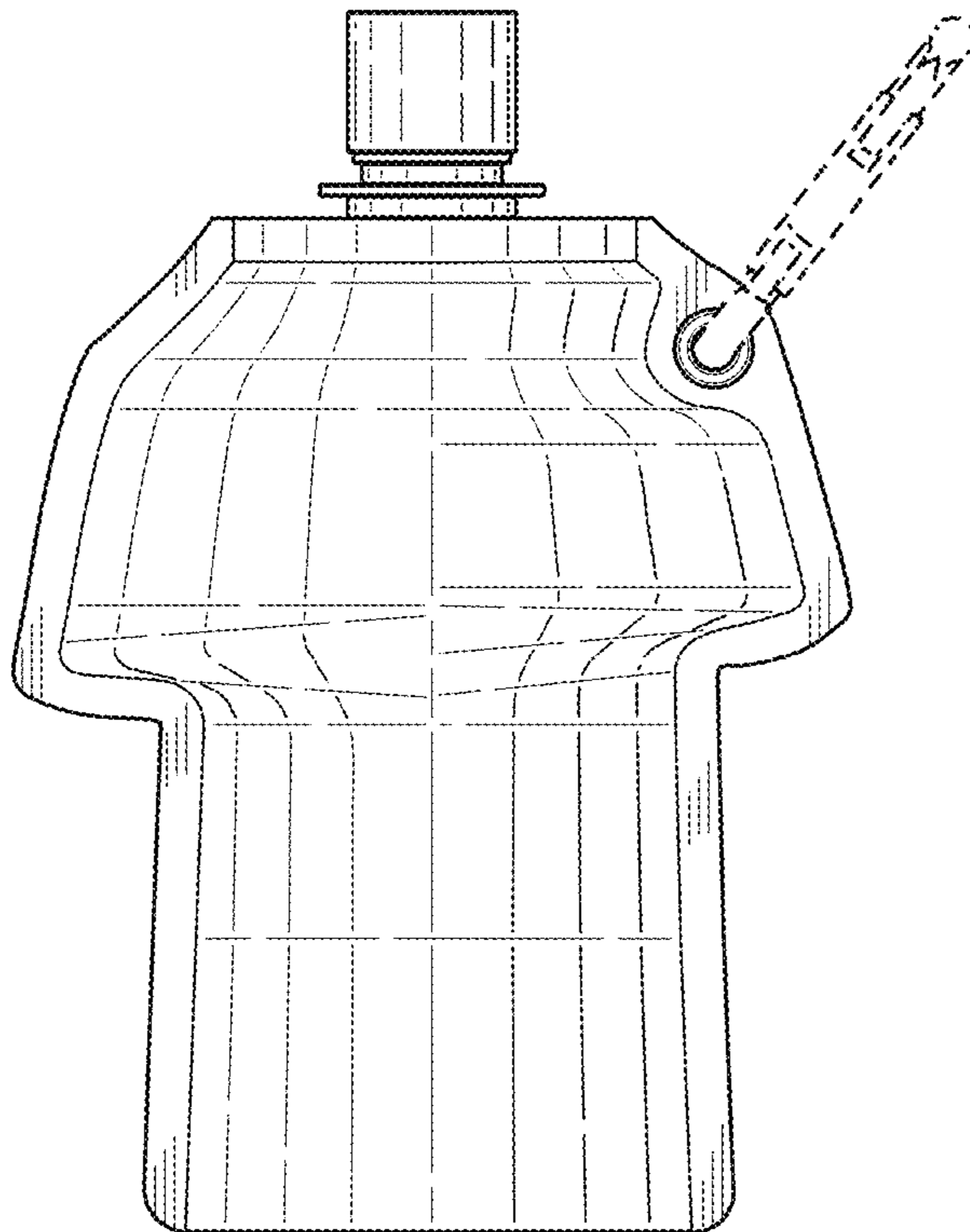


FIG. 3

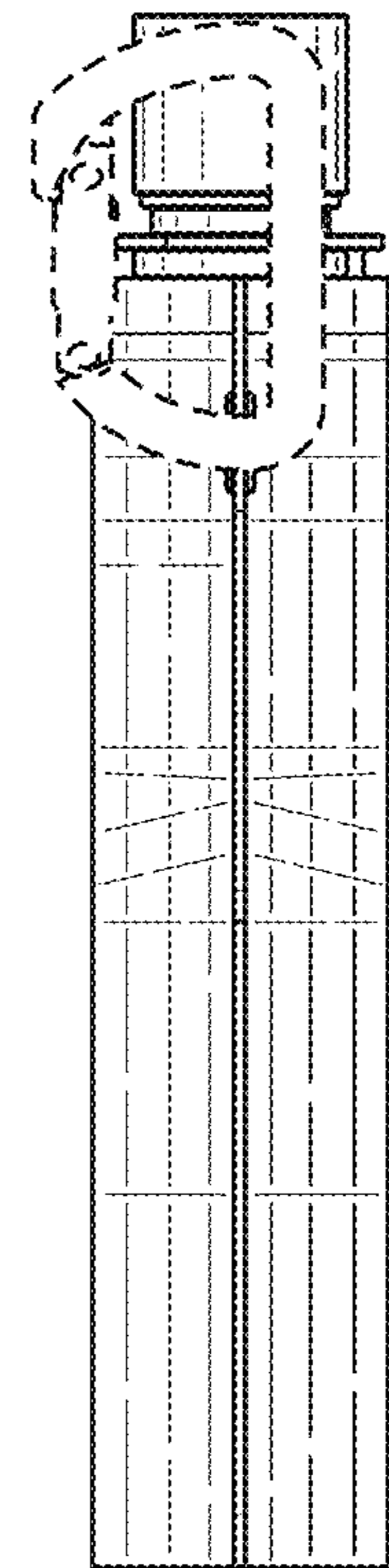


FIG. 5

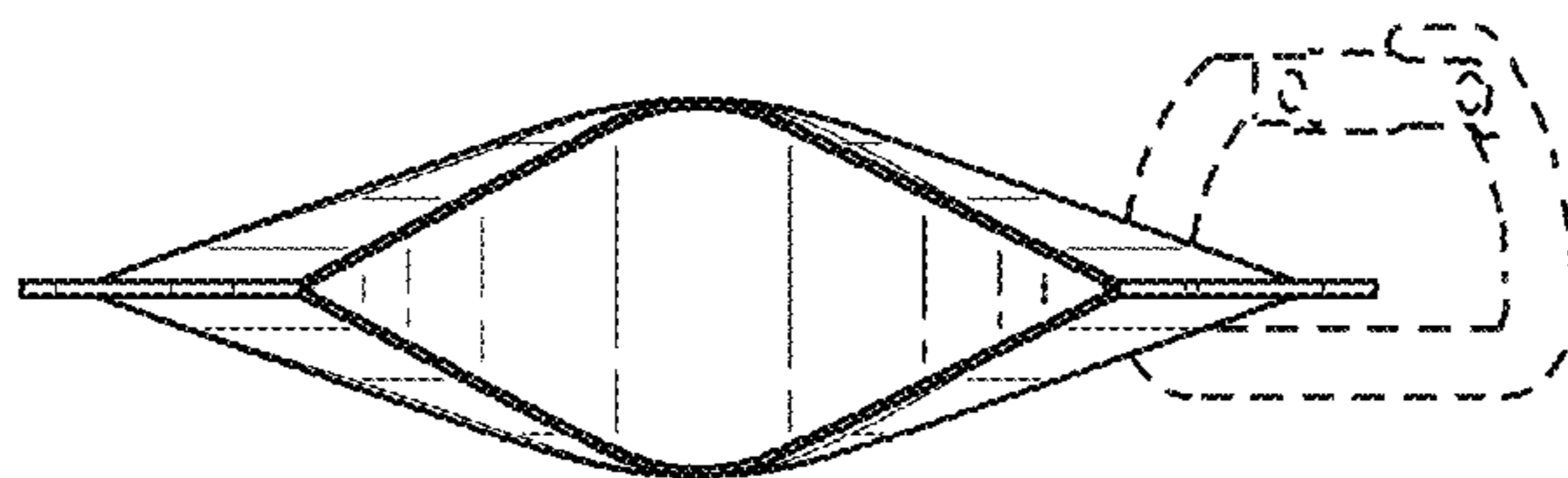


FIG. 7

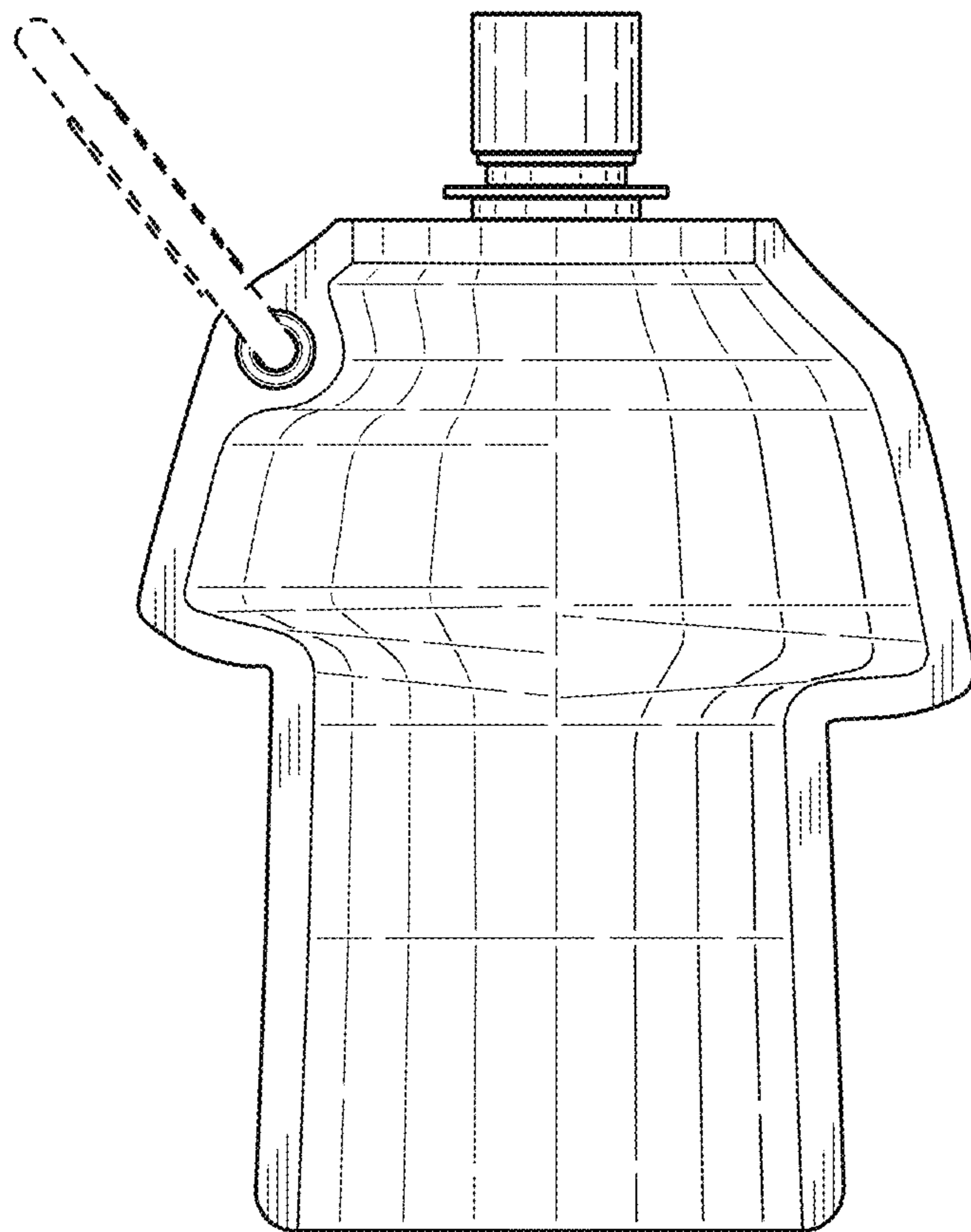


FIG. 8