



US00D769124S

(12) **United States Design Patent**  
**Wieland**

(10) **Patent No.:** **US D769,124 S**

(45) **Date of Patent:** **\*\* Oct. 18, 2016**

(54) **BOTTLE**

(71) Applicant: **ILNP Cosmetics Inc.**, Las Vegas, NV  
(US)

(72) Inventor: **Jason Wieland**, Las Vegas, NV (US)

(73) Assignee: **ILNP Cosmetics Inc.**, Las Vegas, NV  
(US)

(\*\*) Term: **15 Years**

(21) Appl. No.: **29/536,940**

(22) Filed: **Aug. 20, 2015**

(51) **LOC (10) Cl.** ..... **09-01**

(52) **U.S. Cl.**

USPC ..... **D9/560**; D9/548; D9/563; D9/574

(58) **Field of Classification Search**

USPC ..... D9/516, 520, 541, 542, 544, 560, 563,  
D9/574, 715, 719; D7/300, 507, 619.1;  
D24/224

CPC .... B65D 1/02; B65D 1/0223; B65D 23/102;  
B65D 2251/023; B65D 83/38; B65D  
2501/0081

See application file for complete search history.

(56) **References Cited**

**U.S. PATENT DOCUMENTS**

D30,134 S \* 2/1899 Olsen ..... 215/6  
D90,558 S \* 8/1933 Tricaro ..... D9/546  
D121,604 S \* 7/1940 Von Miklos ..... D9/505  
D126,398 S \* 4/1941 Kihn ..... D9/548  
D237,360 S \* 10/1975 Oliveira ..... D9/542

D270,331 S \* 8/1983 Benson ..... D9/520  
D271,565 S \* 11/1983 Slater ..... D24/117  
D306,695 S \* 3/1990 Smith ..... D9/546  
D346,334 S \* 4/1994 Ahlsvik ..... D9/548  
D471,108 S \* 3/2003 Calderone, Jr. .... D9/520  
D494,476 S \* 8/2004 Cwynar-Laska ..... D9/560  
D523,755 S \* 6/2006 Considine ..... D9/560  
D535,566 S \* 1/2007 Lin ..... D9/453  
D619,473 S \* 7/2010 Biesecker ..... D9/560  
D646,177 S \* 10/2011 Jeffs ..... D9/549  
D675,101 S \* 1/2013 Wilson ..... D9/559  
D682,704 S \* 5/2013 Reynolds ..... D9/544  
D701,426 S \* 3/2014 Cornish ..... D7/523  
D717,661 S \* 11/2014 McIntire ..... D9/560  
D726,929 S \* 4/2015 Wainwright ..... D24/216  
D727,161 S \* 4/2015 Fort ..... D9/548  
D734,159 S \* 7/2015 Brisson ..... D9/542  
D748,487 S \* 2/2016 Fitts ..... D9/560

\* cited by examiner

*Primary Examiner* — Ian Simmons

*Assistant Examiner* — Keith Frank

(74) *Attorney, Agent, or Firm* — **Intellent Patents LLC;**  
**Ahmed Alhafidh**

(57) **CLAIM**

The ornamental design for a bottle, as shown and described.

**DESCRIPTION**

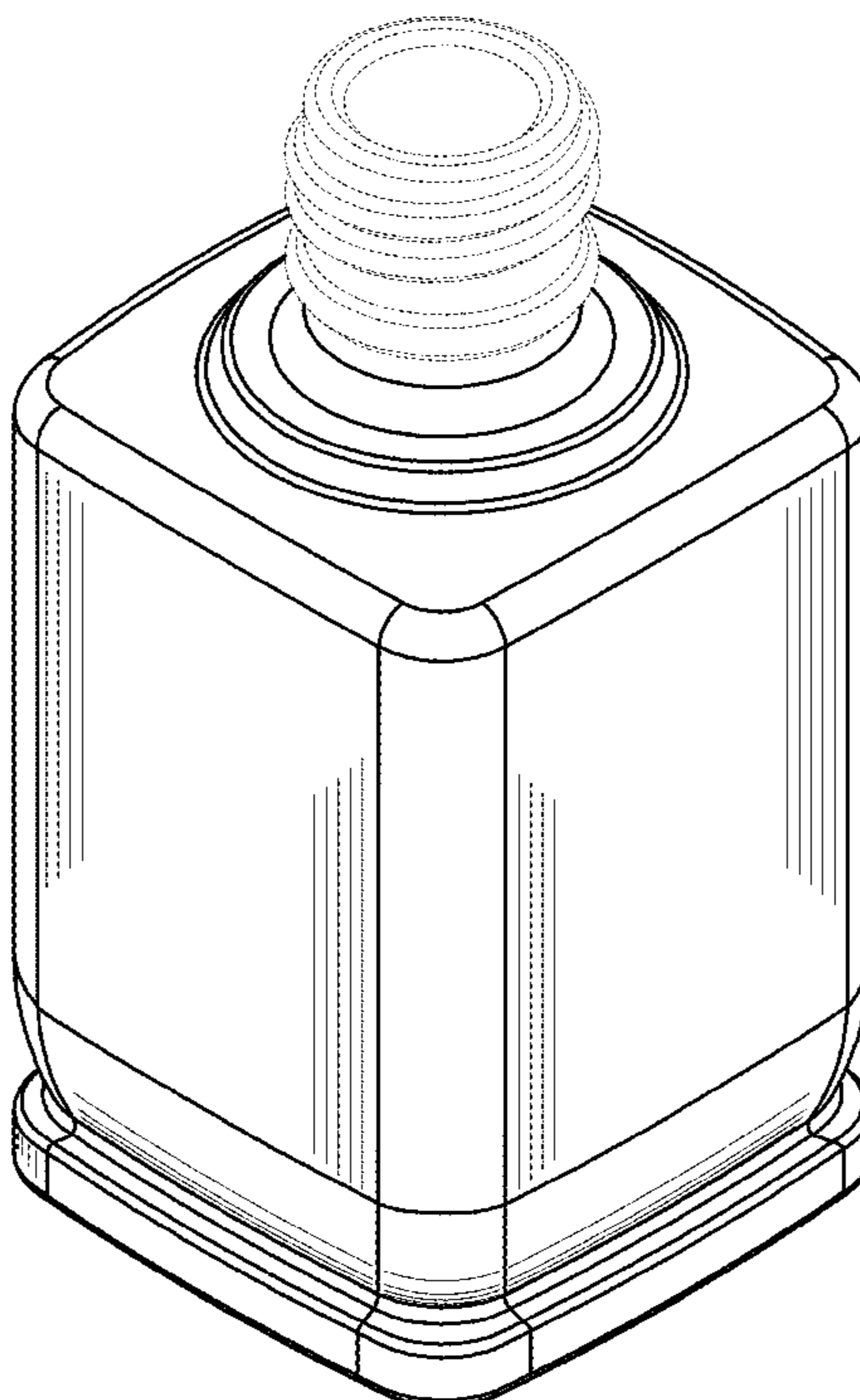
FIG. 1 is a perspective view of a bottle showing my new design;

FIG. 2 is a side elevation view thereof; and,

FIG. 3 is a top plan view thereof.

The broken lines in the drawings illustrate the portions of the bottle that form no part of the claimed design.

**1 Claim, 3 Drawing Sheets**



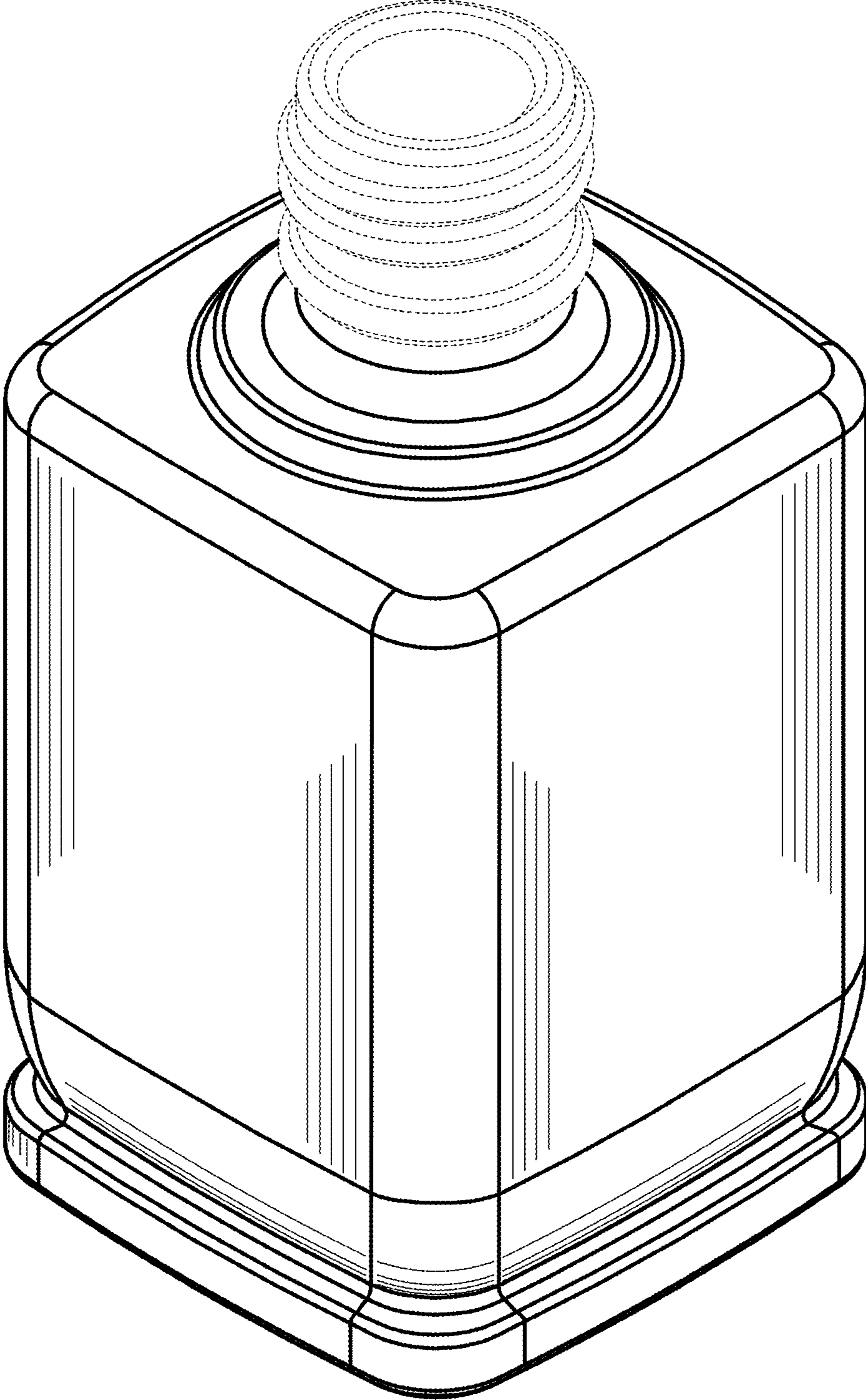


FIG. 1

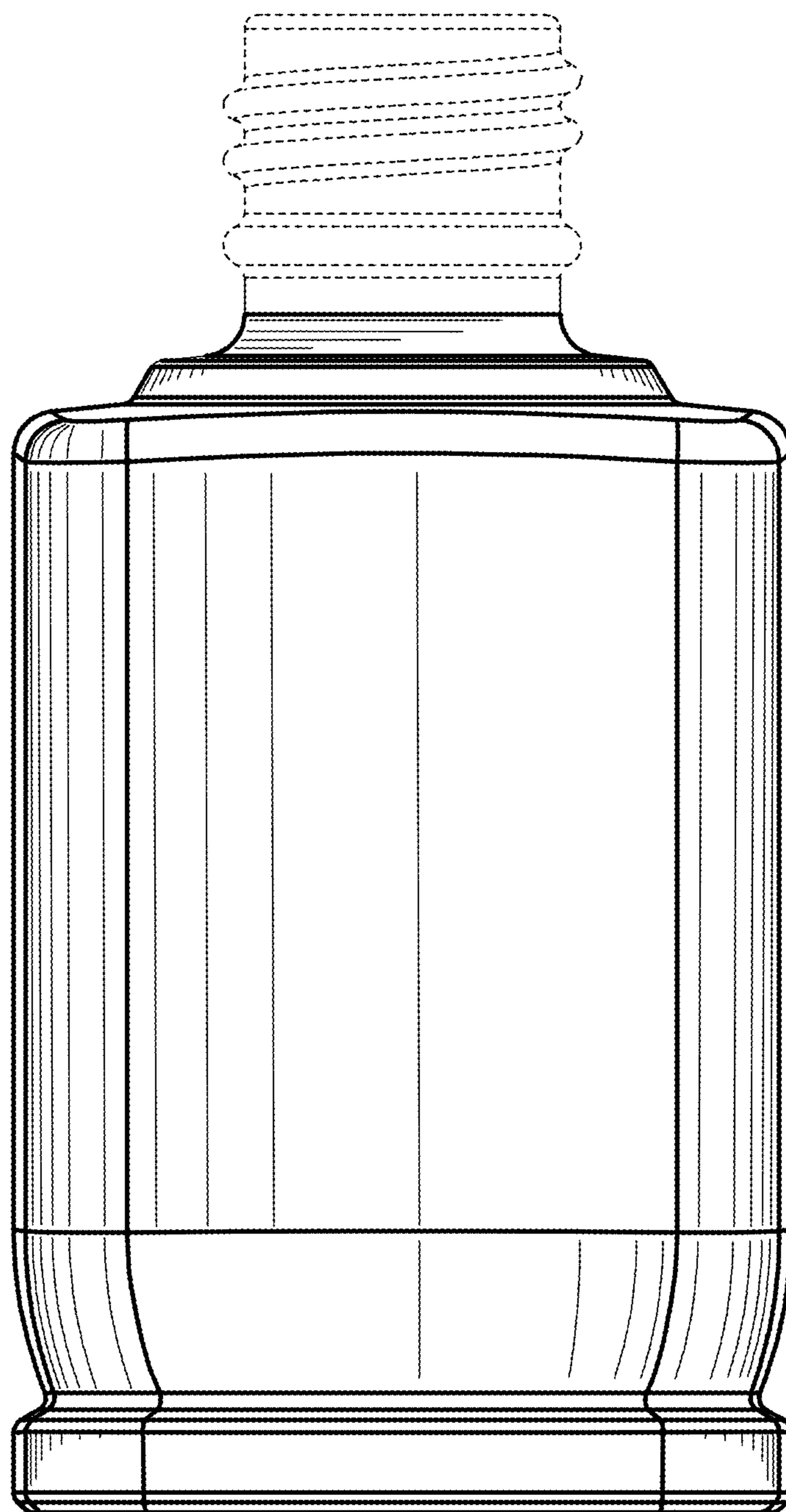


FIG. 2

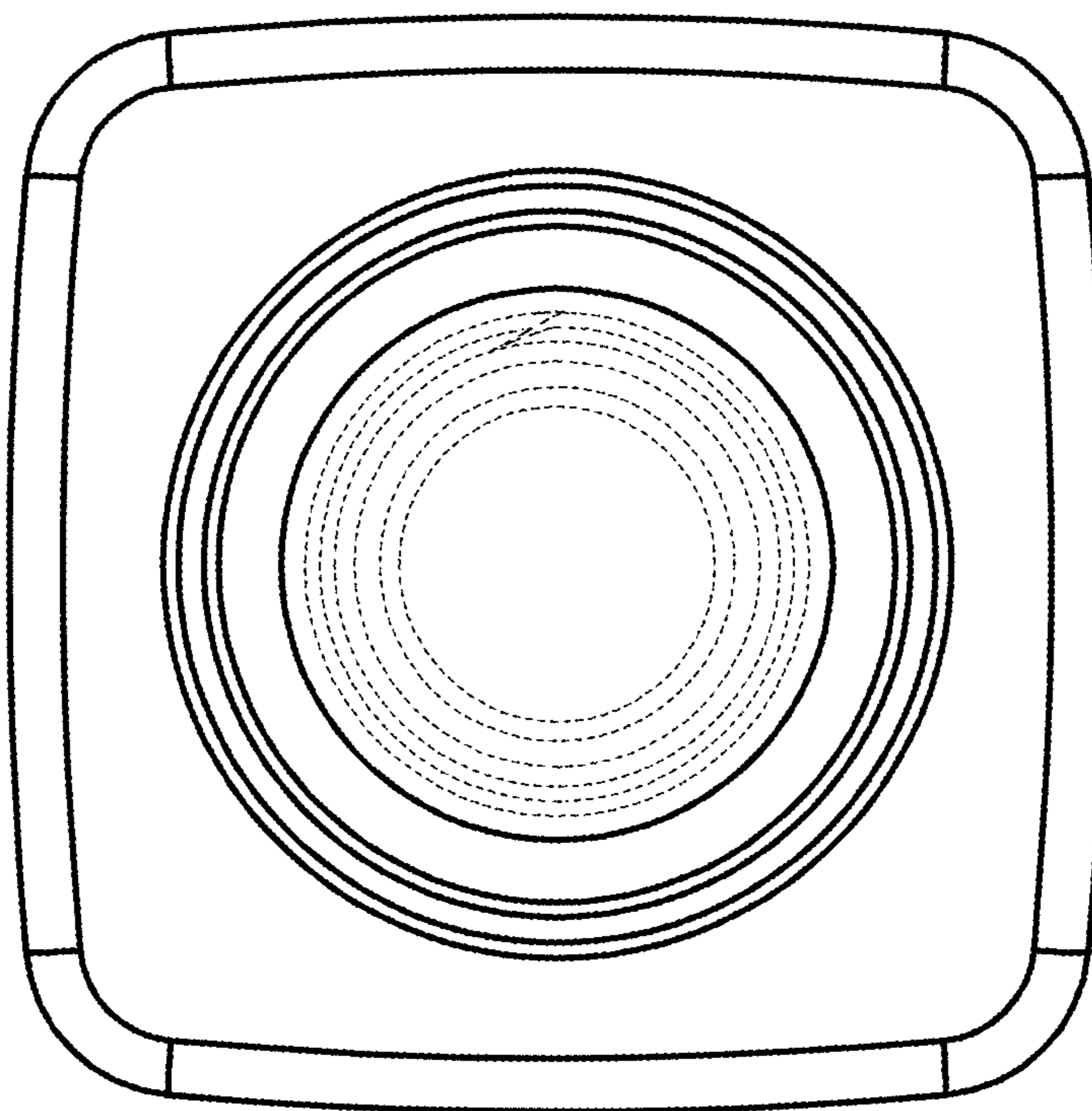


FIG. 3

UNITED STATES PATENT AND TRADEMARK OFFICE  
**CERTIFICATE OF CORRECTION**

PATENT NO. : D769,124 S  
APPLICATION NO. : 29/536940  
DATED : October 18, 2016  
INVENTOR(S) : Jason Wieland et al.

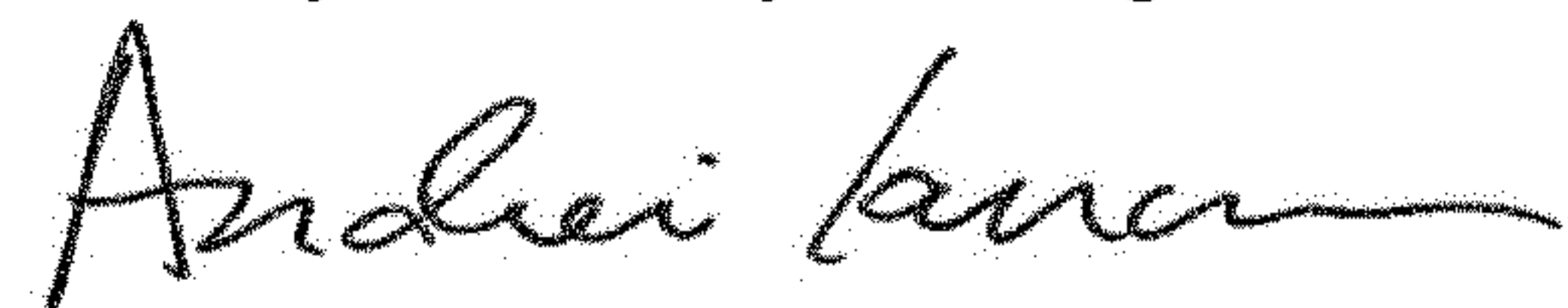
Page 1 of 1

It is certified that error appears in the above-identified patent and that said Letters Patent is hereby corrected as shown below:

On the Title Page

Item (72), Please add as second Inventor:  
Zoran Sekulovski

Signed and Sealed this  
Twenty-first Day of August, 2018



Andrei Iancu  
*Director of the United States Patent and Trademark Office*

UNITED STATES PATENT AND TRADEMARK OFFICE  
**CERTIFICATE OF CORRECTION**

PATENT NO. : D769,124 S  
APPLICATION NO. : 29/536940  
DATED : October 18, 2016  
INVENTOR(S) : Jason Wieland et al.

Page 1 of 1

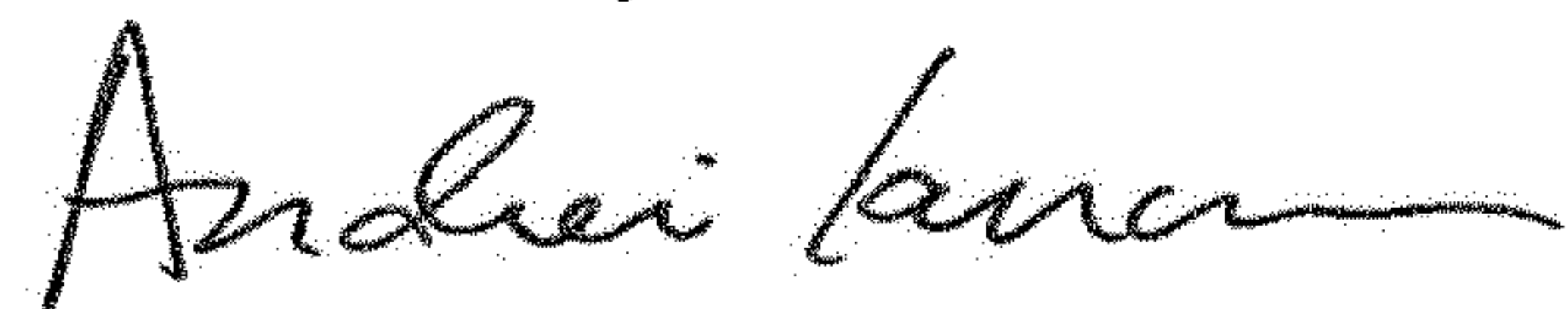
It is certified that error appears in the above-identified patent and that said Letters Patent is hereby corrected as shown below:

On the Title Page

Item (72) Inventor delete "Jason Wieland, Las Vegas, NV (US)" and insert --Jason Wieland, Las Vegas, NV (US); Zoran Sekulovski, Bitola, Macedonia, The Former Yugoslav--

This certificate supersedes the Certificate of Correction issued August 21, 2018.

Signed and Sealed this  
Second Day of October, 2018



Andrei Iancu  
*Director of the United States Patent and Trademark Office*