



US00D769119S

(12) **United States Design Patent**
Hooker et al.

(10) **Patent No.:** **US D769,119 S**
(45) **Date of Patent:** **** Oct. 18, 2016**

(54) **COVER**

(71) Applicant: **Sangobeg Limited**, Dundee (GB)
(72) Inventors: **Kenneth Sinclair Hooker**, Staffordshire (GB); **James Ross Morrison**, Dundee (GB)

(73) Assignee: **SANGOBEG LIMITED**, Dundee, Angus (GB)

(**) Term: **14 Years**

(21) Appl. No.: **29/510,120**

(22) Filed: **Nov. 25, 2014**

(30) **Foreign Application Priority Data**

May 29, 2014 (EM) 002473470-0001

(51) **LOC (10) Cl.** **09-07**

(52) **U.S. Cl.**
USPC **D9/452**

(58) **Field of Classification Search**
USPC D3/201, 202, 203.1; D24/121, 199;
D7/300, 300.1, 302, 303, 305, 308,
D7/321, 601, 602, 615, 703, 708.1, 619.1,
D7/633, 387, 396.1, 396.2, 500, 509, 510,
D7/511, 533, 536; D9/434, 435, 436, 440,
D9/442, 444, 445, 447, 449, 453, 454, 446,
D9/443, 723, 725, 728, 452
CPC A45D 34/00; B65D 41/00; B65D 83/00;
B65D 51/005; B65D 47/14; B65D 47/12;
B65D 41/04; B65D 25/42; B65D 51/20
See application file for complete search history.

(56) **References Cited**

U.S. PATENT DOCUMENTS

3,283,942 A * 11/1966 Collie B65D 43/0222
220/789
4,165,817 A 8/1979 Wengenroth et al.

(Continued)

FOREIGN PATENT DOCUMENTS

DE 102012209597 A1 12/2013
WO 94/16964 A1 8/1994
WO 99/61323 A2 12/1999

OTHER PUBLICATIONS

Anonymous "Rum Forum—View Topic—Cling Film Solution to Keep the Angel's Share Down", (Jul. 16, 2008), XP055205460, Retrieved from the Internet: URL:http://www.refinedvices.com/forums/viewtopic.php?f=22&t=183 [retrieved on Jul. 30, 2015].

(Continued)

Primary Examiner — Robert M Spear

Assistant Examiner — Marissa J Cash

(74) *Attorney, Agent, or Firm* — Drinker Biddle & Reath LLP

(57) **CLAIM**

The ornamental design for a cover, as shown and described.

DESCRIPTION

FIG. 1 is a bottom front isometric view of a cover according to the present invention (the cover being shown inverted in the drawings).

FIG. 2 is a top front isometric view of the cover of FIG. 1.

FIG. 3 is a bottom plan view of the cover of FIG. 1.

FIG. 4 is a top plan view of the cover of FIG. 1.

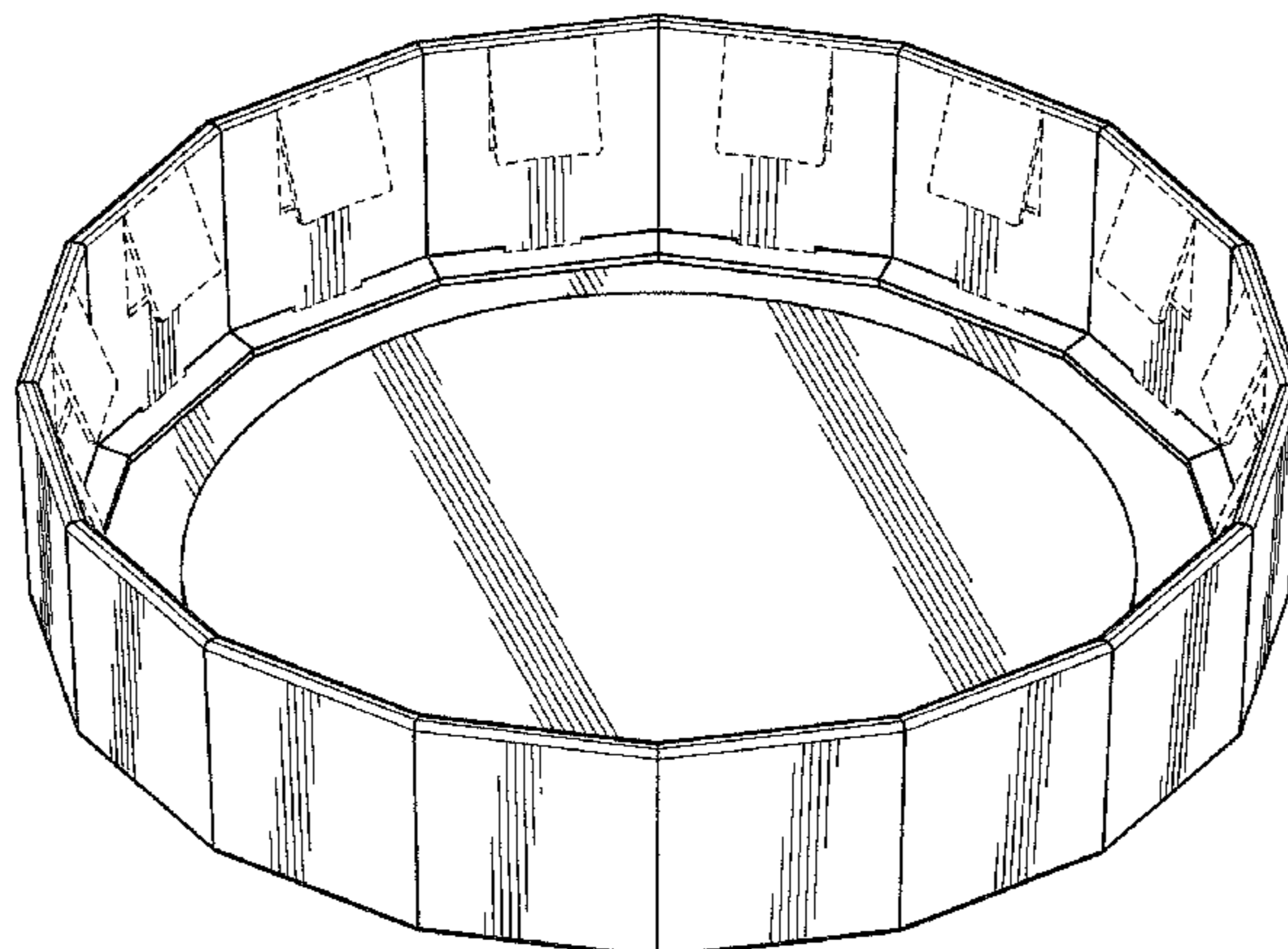
FIG. 5 is a front view of the cover of FIG. 1, the rear view, right side view and left side views being mirror images.

FIG. 6 is an exploded view the cover of FIG. 1; and,

FIG. 7 is a cross-sectional view of the cover of FIG. 1, taken along the centerline of the cover.

The portions of the design shown in dashed lines do not form a part of the claimed invention.

1 Claim, 7 Drawing Sheets



(56)

References Cited

U.S. PATENT DOCUMENTS

4,500,010 A * 2/1985 Schutz B65D 45/32
220/320
4,607,759 A * 8/1986 Boetzkes B65D 41/48
215/251
4,625,890 A * 12/1986 Galer B65D 55/0818
220/319
5,176,279 A * 1/1993 Campbell B65D 55/0863
220/270
6,019,240 A 2/2000 Legeza
6,401,957 B1 6/2002 Przytulla
D481,312 S * 10/2003 Martin D9/435
D657,669 S * 4/2012 Collins D9/434

8,181,408 B1 * 5/2012 Triglia B44C 5/043
52/223.6
D696,113 S * 12/2013 Stein D9/447
D721,963 S * 2/2015 Finkbohner D9/453
9,027,772 B2 * 5/2015 Chen B65D 81/3879
220/4.04
D739,234 S * 9/2015 Antal, Sr. D9/445
2014/0166659 A1 * 6/2014 Antal, Sr. B65D 43/0256
220/521

OTHER PUBLICATIONS

Notice of Allowance from Japanese Patent Office for Design Application No. 2014-026487, dated Jun. 2, 2015, 3 pages (and two pages of translation).

* cited by examiner

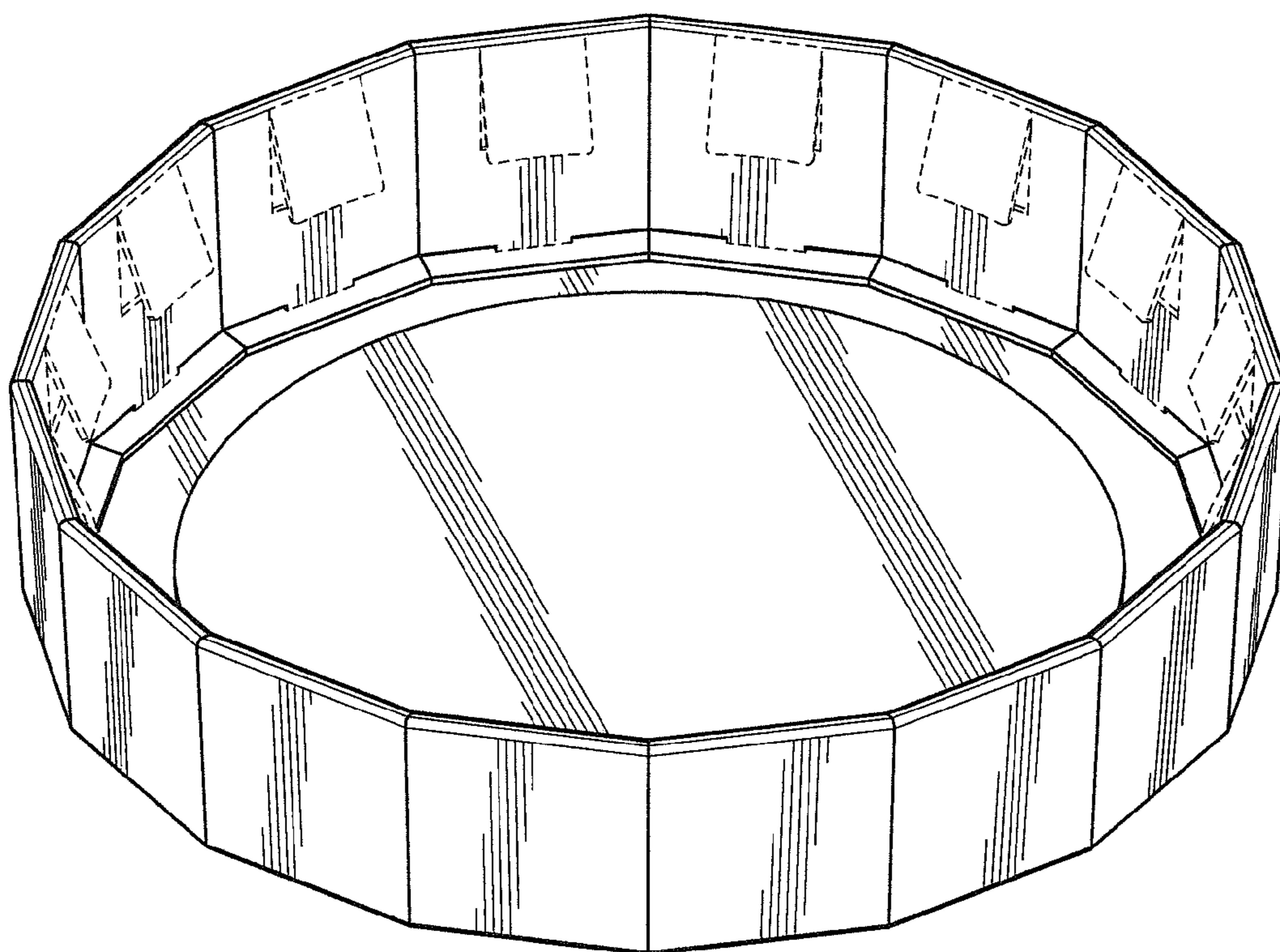


FIG. 1

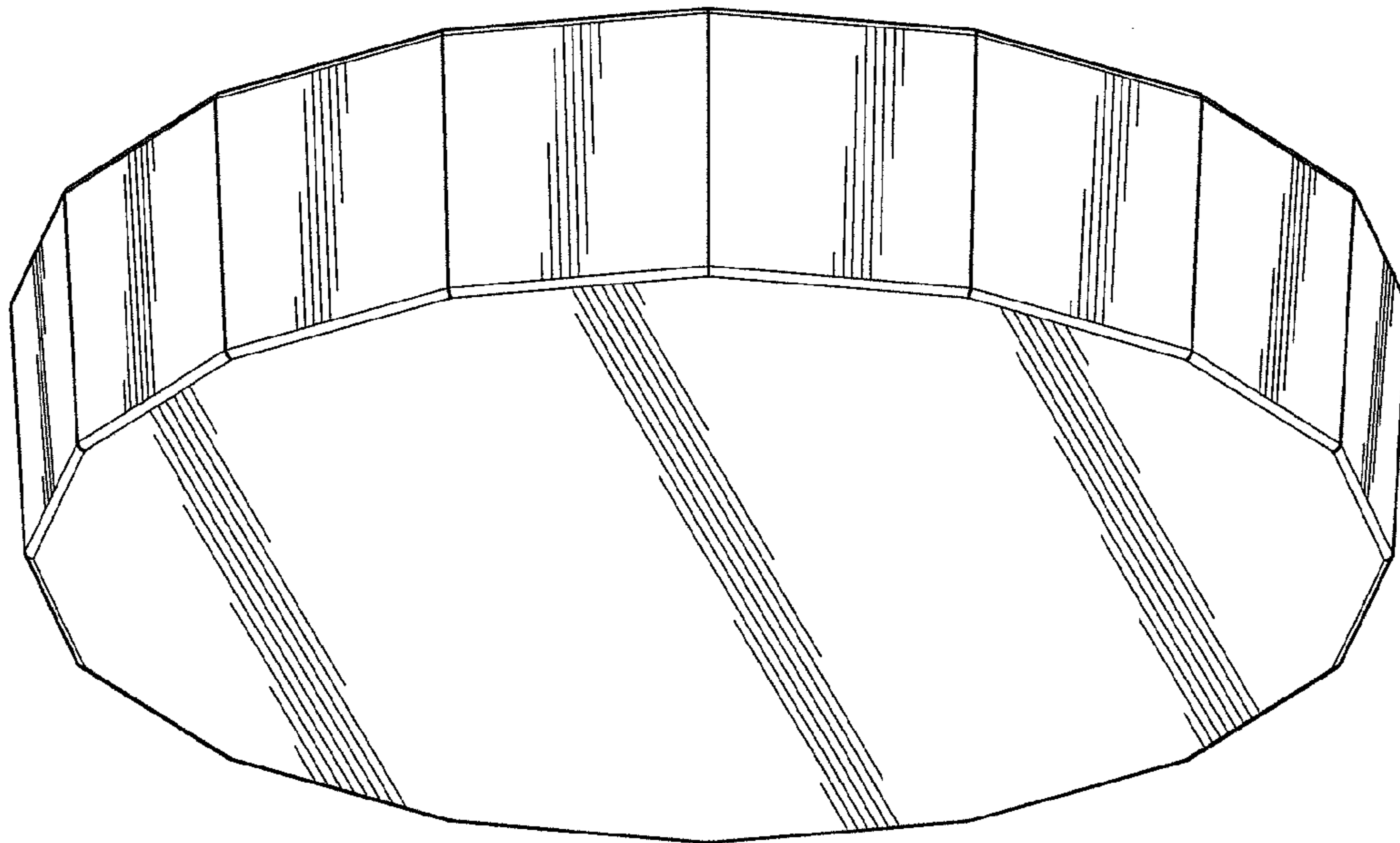


FIG. 2

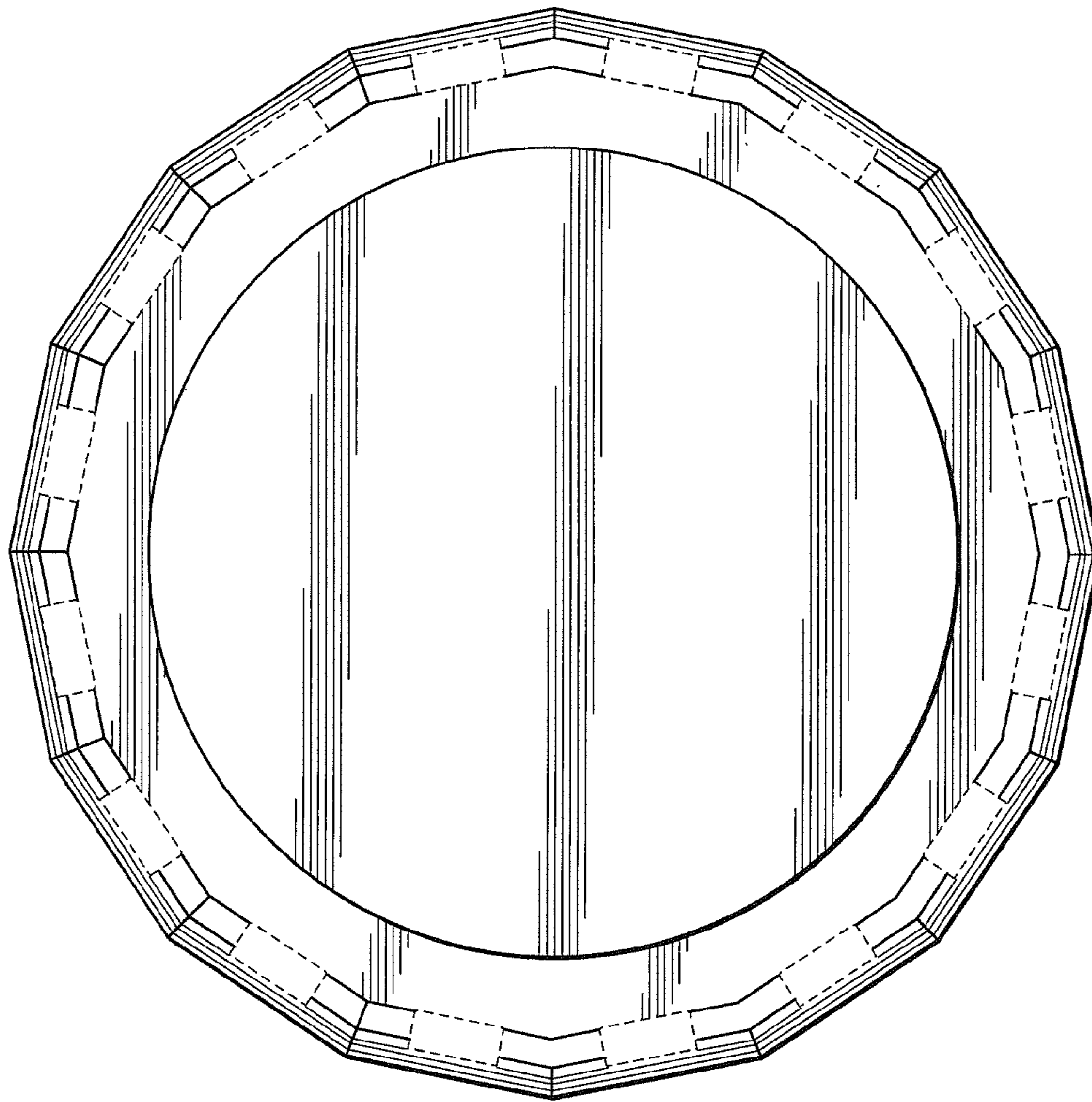


FIG. 3

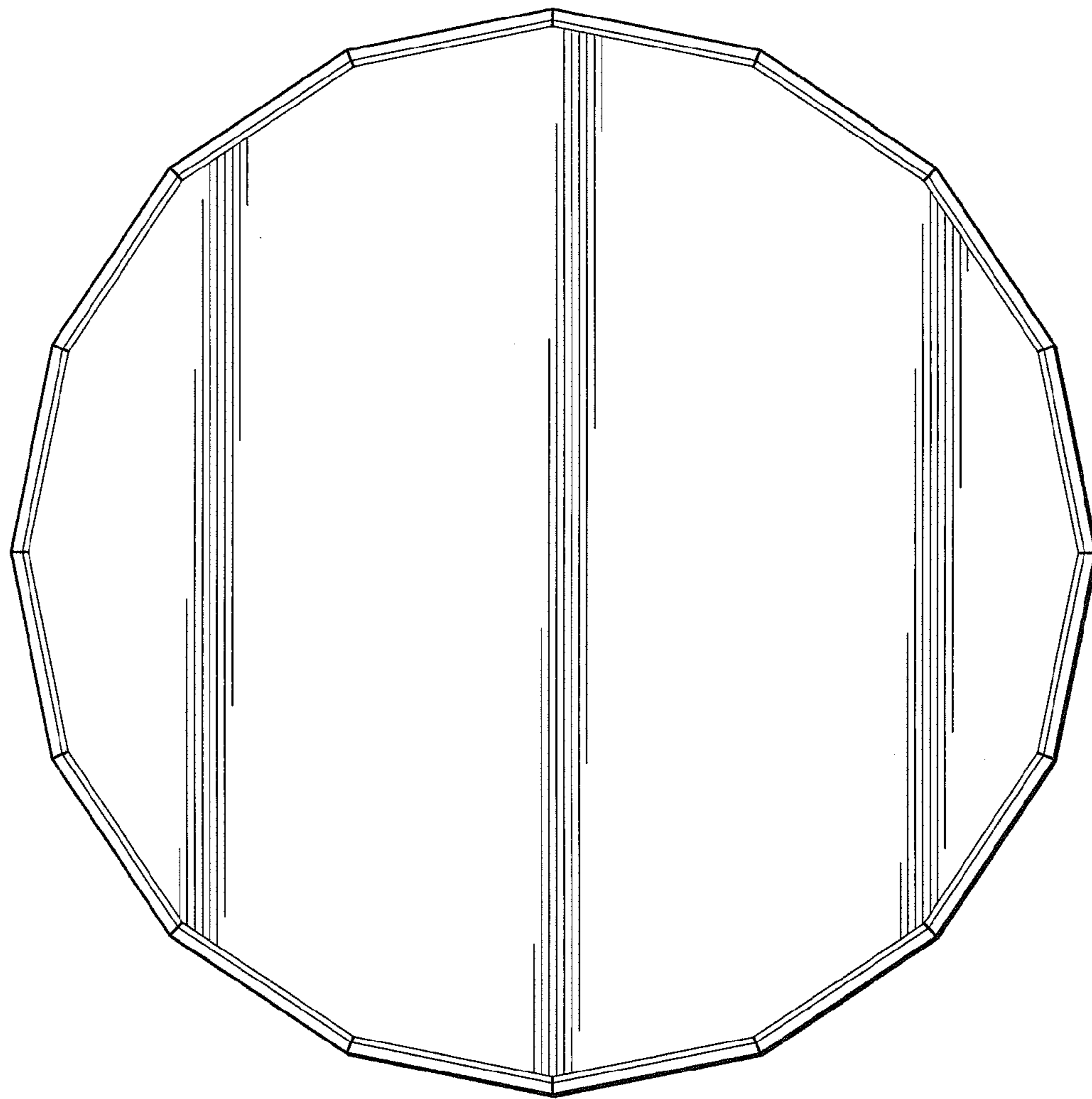


FIG. 4

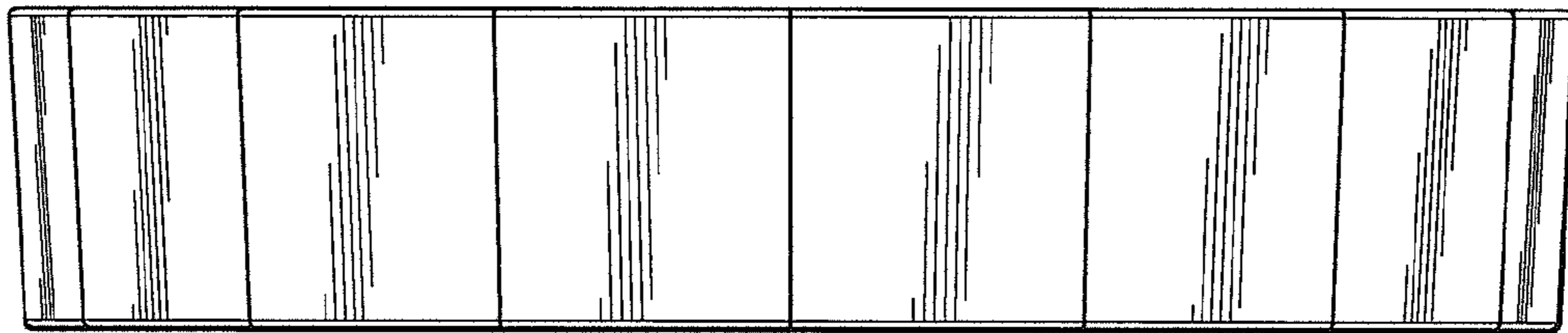


FIG. 5

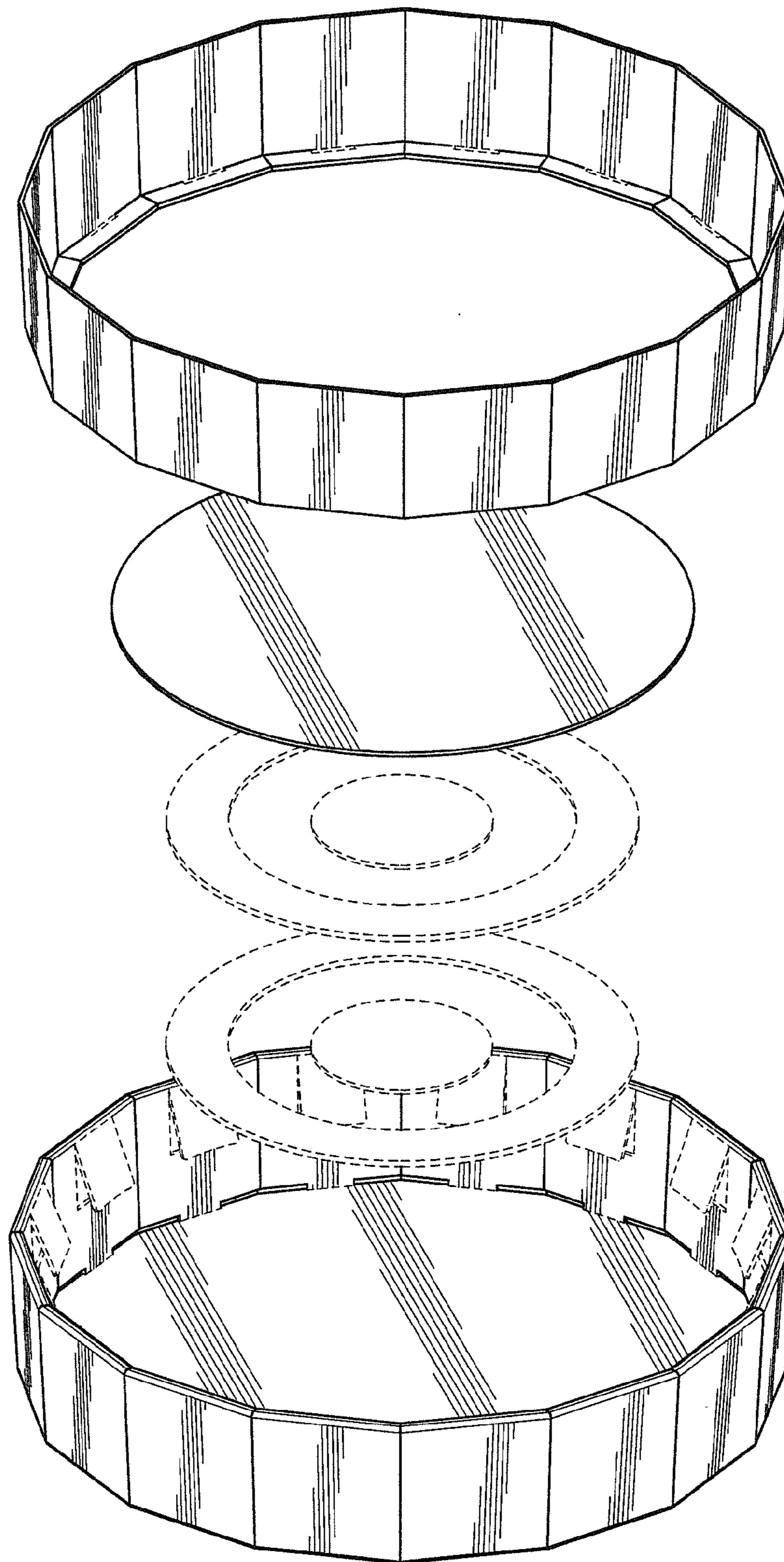


FIG. 6

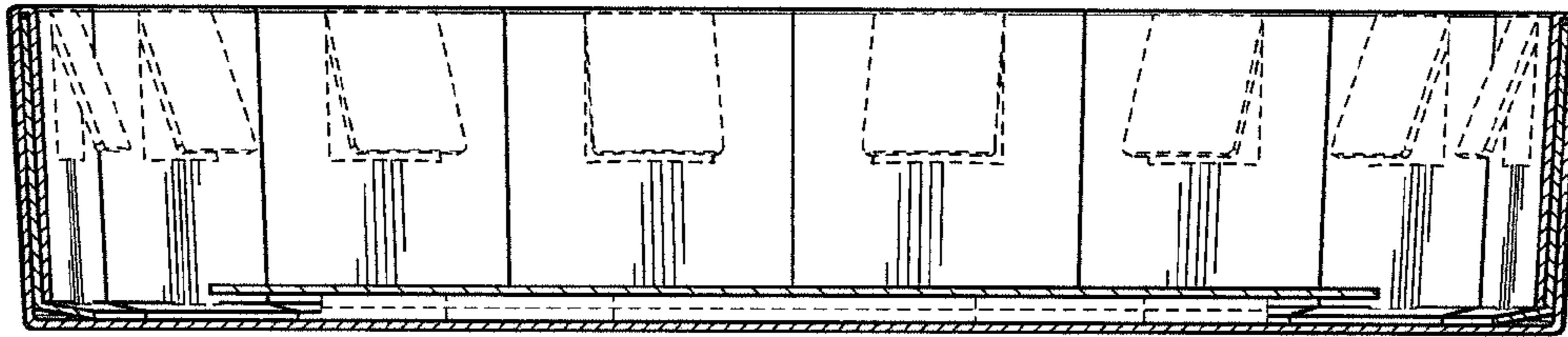


FIG. 7