



US00D769118S

(12) **United States Design Patent**
Kronebusch

(10) **Patent No.:** **US D769,118 S**
(45) **Date of Patent:** **** Oct. 18, 2016**

- (54) **NOZZLE CAP**
- (71) Applicant: **Kronebusch Industries, LLC**,
Rochester, MN (US)
- (72) Inventor: **Allen R. Kronebusch**, Oronoco, MN
(US)
- (73) Assignee: **Kronebusch Industries, LLC**,
Rochester, MN (US)
- (**) Term: **15 Years**
- (21) Appl. No.: **29/532,013**
- (22) Filed: **Jun. 30, 2015**
- (51) **LOC (10) Cl.** **09-07**
- (52) **U.S. Cl.**
USPC **D9/448**
- (58) **Field of Classification Search**
USPC D9/429, 434-436, 439-454, 499, 571,
D9/600, 601, 614-617, 620, 623, 624, 628,
D9/724; D7/387, 392, 393, 396.2, 510,
D7/511, 514-517, 598, 599, 612.2, 623,
D7/628; D3/202, 294, 318; D11/148;
D23/213; D24/130; D29/125, 129, 130
CPC A61J 1/1412; B65D 1/02; B65D 1/323;
B65D 1/0246; B65D 25/40; B65D 25/42;
B65D 25/44; B65D 41/56; B65D 41/62;
B65D 47/06; B65D 47/08
See application file for complete search history.

- 5,775,432 A * 7/1998 Burns A62C 17/00
169/74
- D399,028 S * 9/1998 Fenne D29/129
- 6,752,296 B1 * 6/2004 Sweeton B05B 1/12
222/380
- D500,704 S * 1/2005 Kruse D11/143
- D625,513 S * 10/2010 Carnes D3/229
- 7,896,205 B1 * 3/2011 Gonzalez A45F 5/00
224/148.1
- D725,262 S * 3/2015 Chowdhury D24/130
- D739,240 S * 9/2015 Satterfield D7/396.2

* cited by examiner

Primary Examiner — Karen S Acker
Assistant Examiner — Wendy Arminio
(74) *Attorney, Agent, or Firm* — Merchant & Gould P.C.

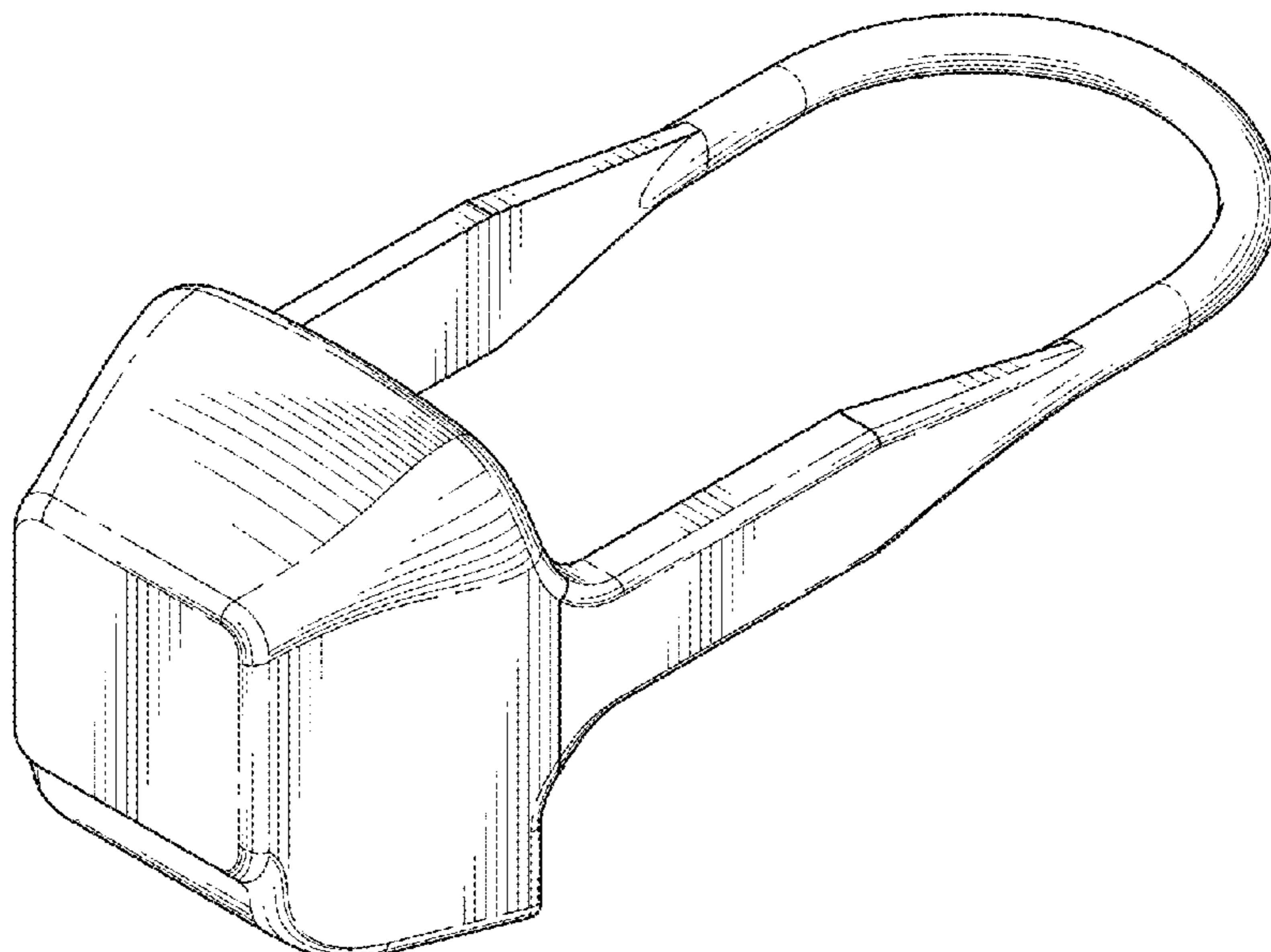
(57) **CLAIM**
The ornamental design for a nozzle cap, as shown and described.

DESCRIPTION

FIG. 1 is a top, front, and right perspective view of a nozzle cap shown in a position of use.
FIG. 2 is a top, front, and right perspective view of the nozzle cap of FIG. 1.
FIG. 3 is a front view of the nozzle cap of FIG. 1.
FIG. 4 is a back view view of the nozzle cap of FIG. 1.
FIG. 5 is a right side view of the nozzle cap of FIG. 1.
FIG. 6 is a left side view of the nozzle cap of FIG. 1.
FIG. 7 is a top view of the nozzle cap of FIG. 1; and,
FIG. 8 is a bottom view of the nozzle cap of FIG. 1.
The broken lines showing an unclaimed fire extinguisher in FIG. 1 are included to illustrate an operating environment of the nozzle cap and form no part of the claimed design. The broken lines in FIG. 4 depict portions of the nozzle cap that form no part of the claimed design. A strap portion of the nozzle cap is flexible to allow it to be placed in the position of use shown in FIG. 1.

1 Claim, 4 Drawing Sheets

- (56) **References Cited**
U.S. PATENT DOCUMENTS
D217,828 S * 6/1970 Hilliard 224/148.6
D227,043 S * 5/1973 VanDenBerg 224/148.6
3,820,695 A * 6/1974 Pecjak A45C 11/20
224/148.6
D259,712 S * 6/1981 Heydenreich 47/67



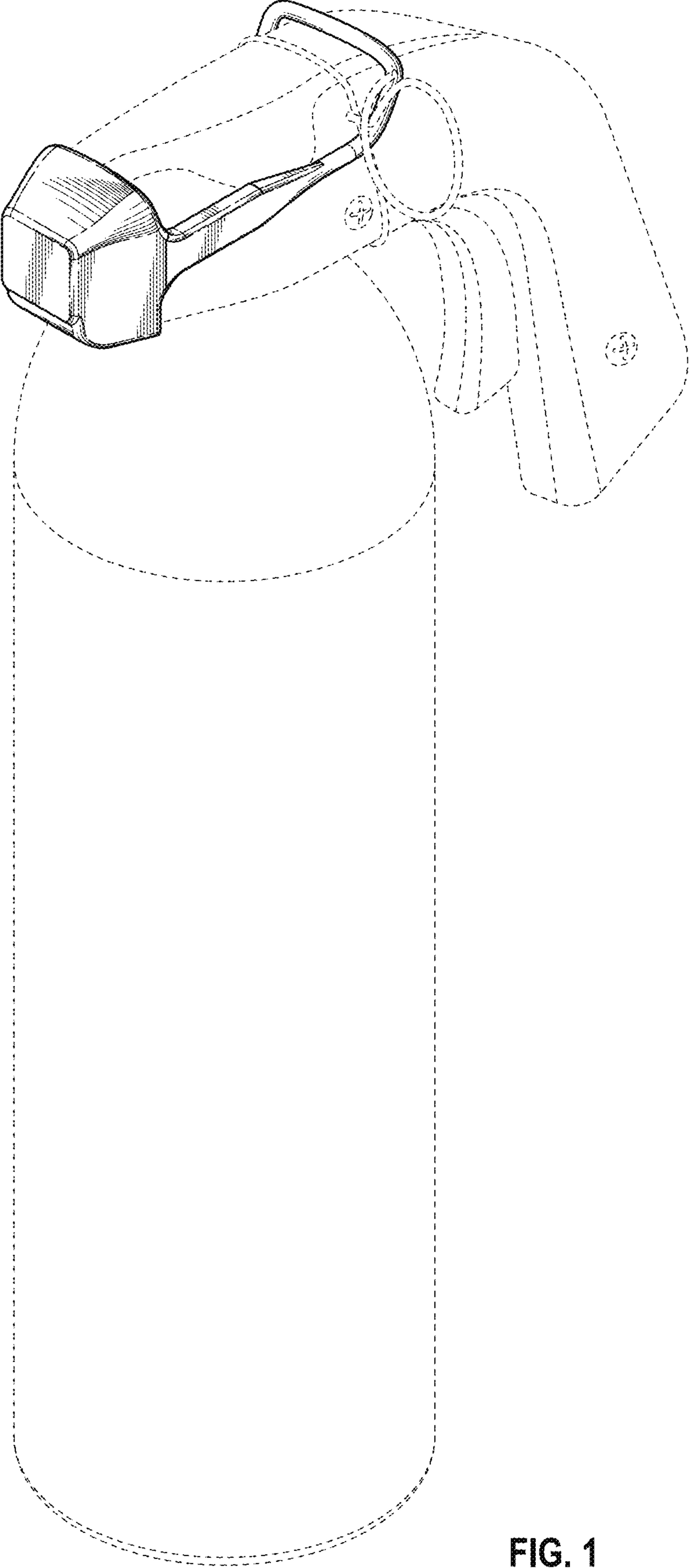


FIG. 1

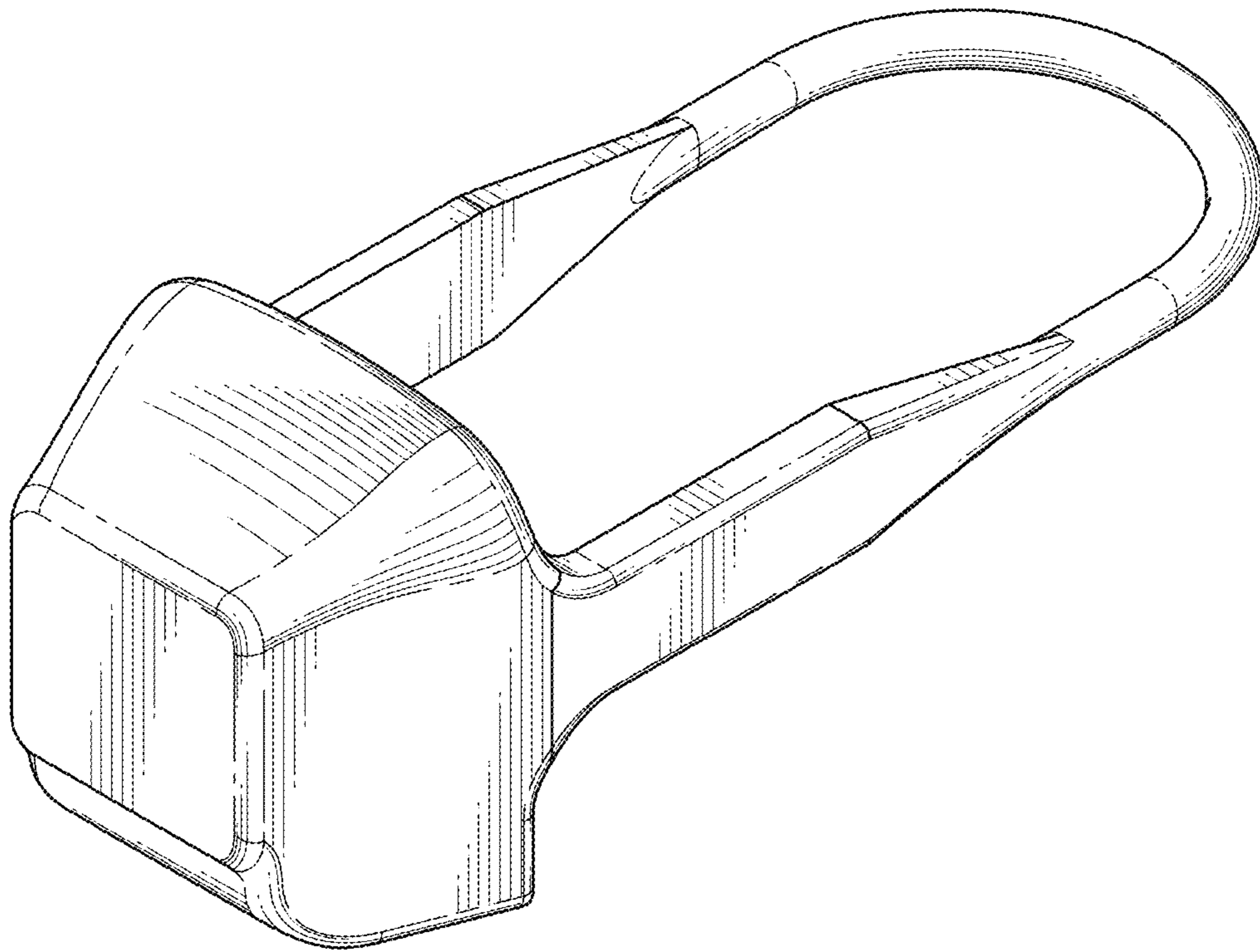


FIG. 2

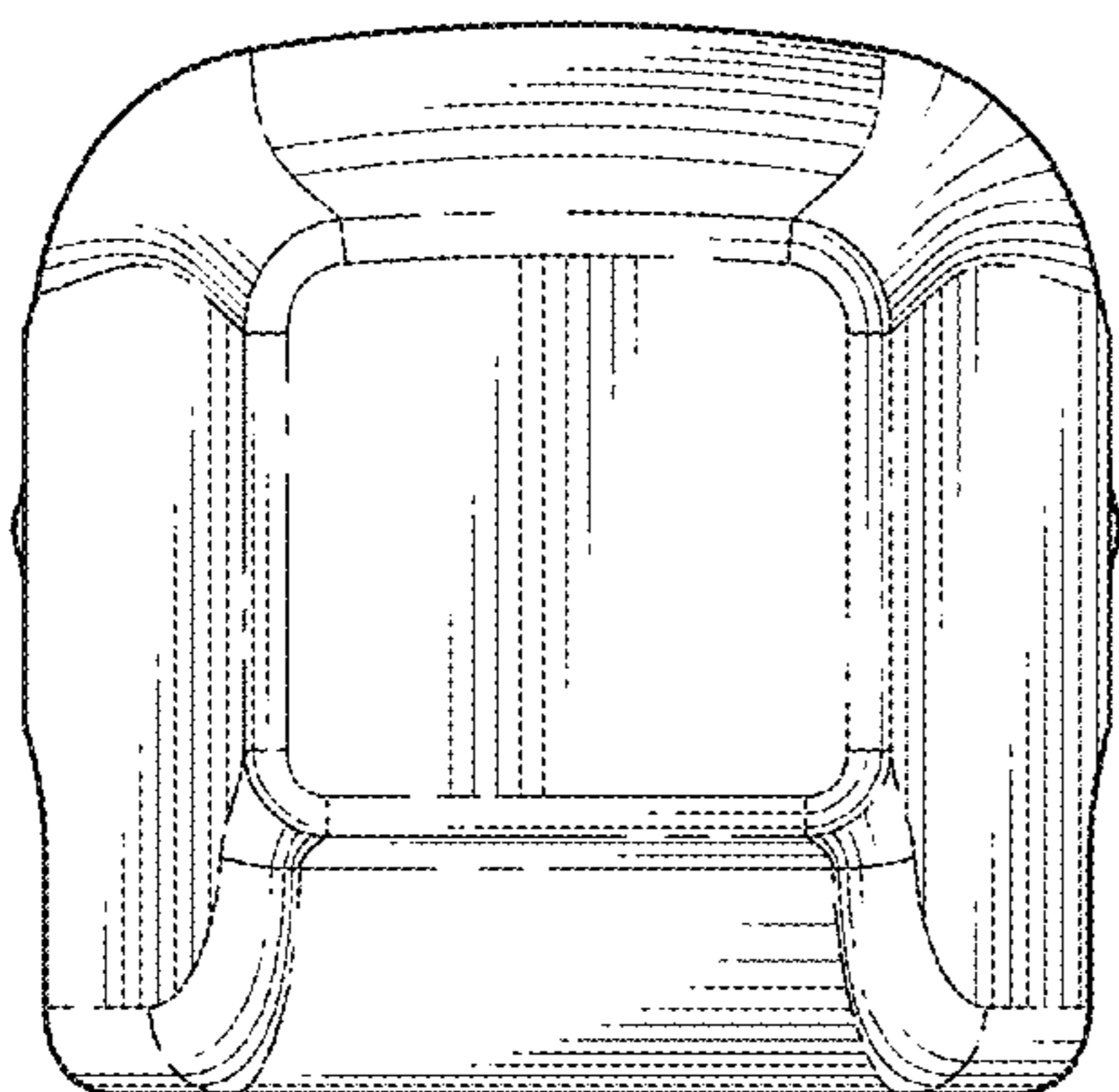


FIG. 3

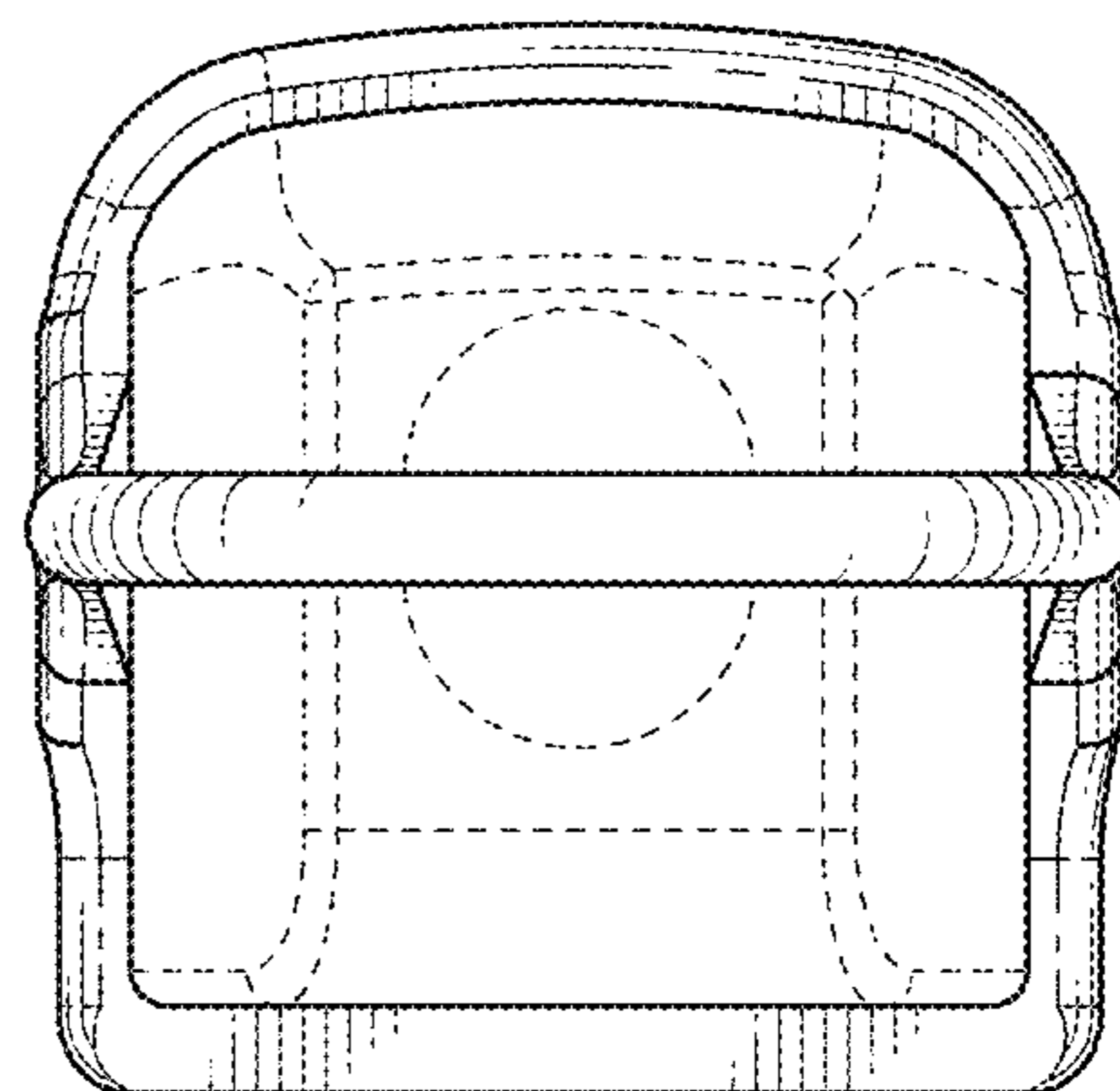


FIG. 4

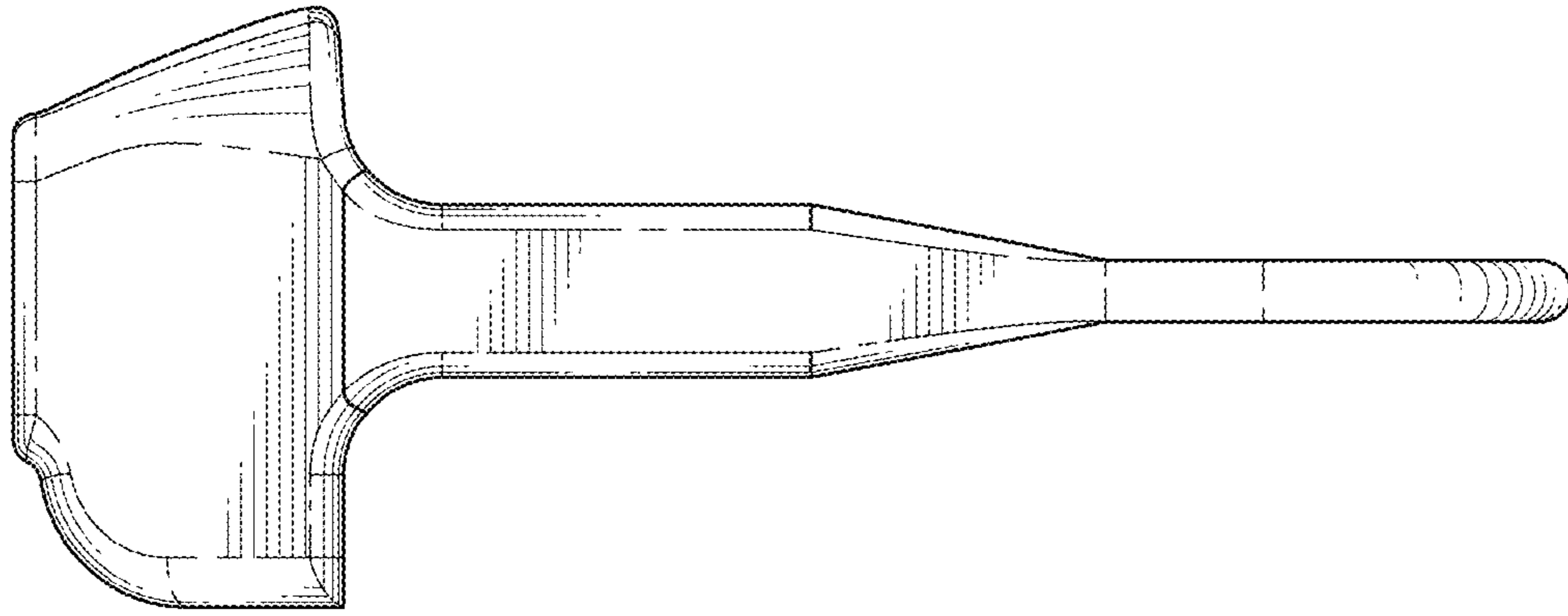


FIG. 5

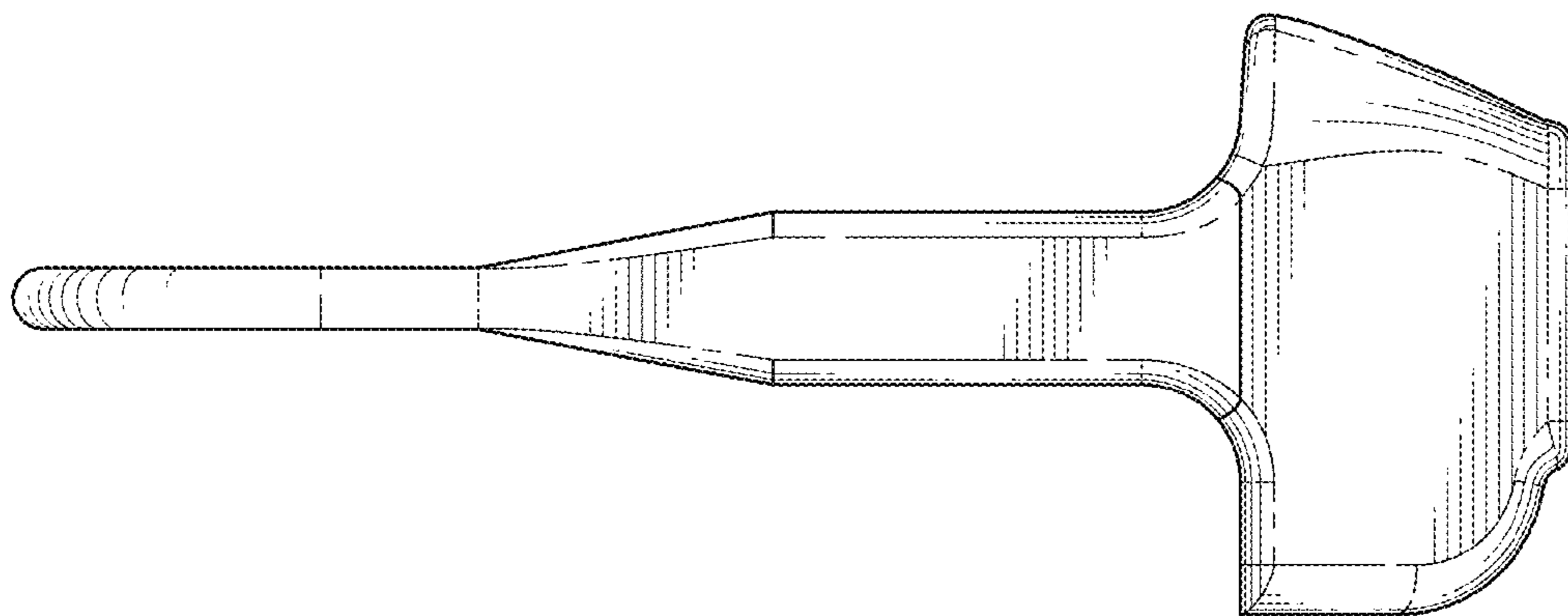


FIG. 6

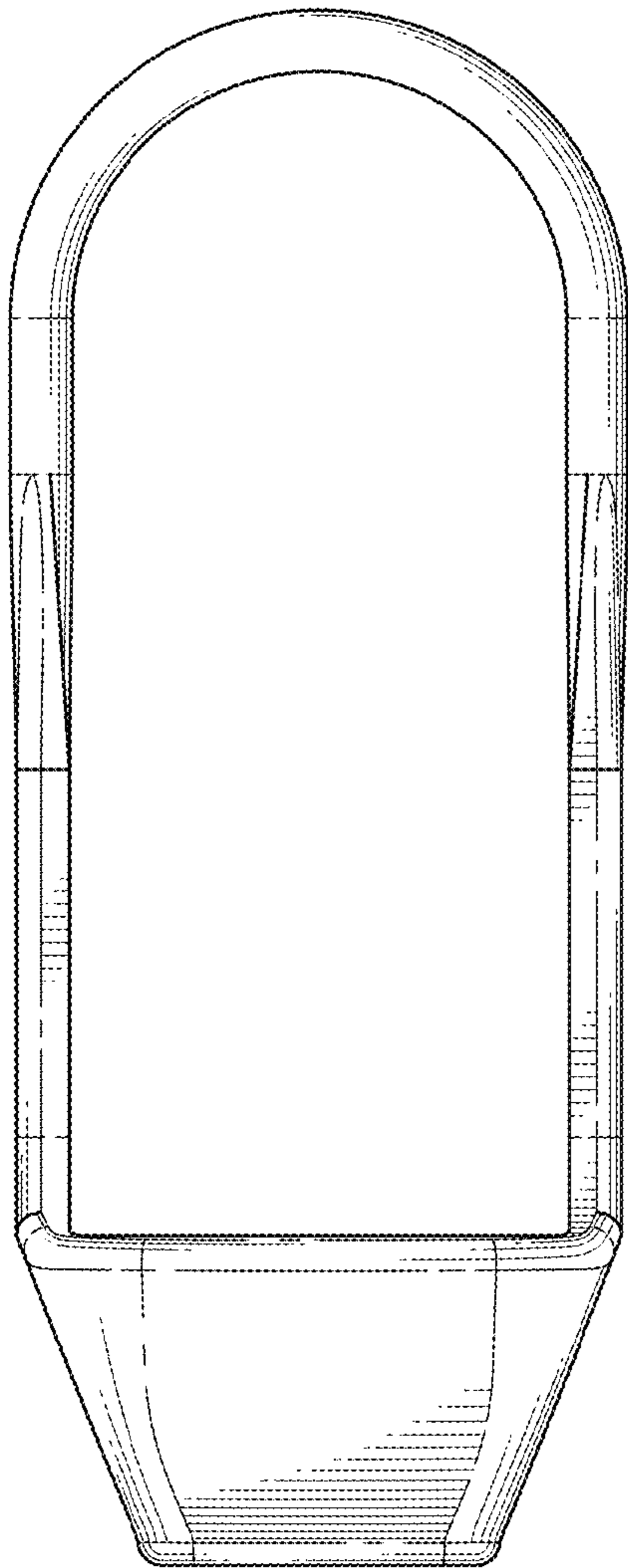


FIG. 7

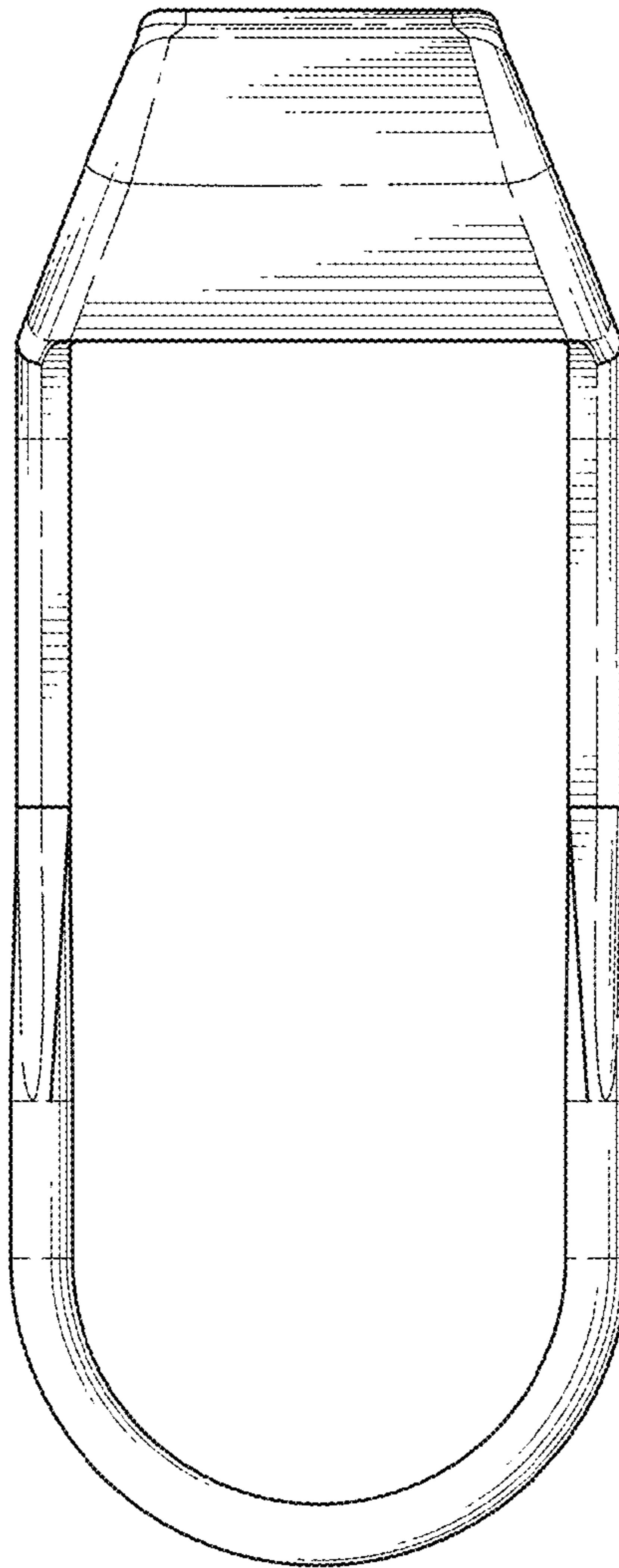


FIG. 8