

US00D769117S

(12) **United States Design Patent**
Tseng et al.

(10) **Patent No.:** **US D769,117 S**
(45) **Date of Patent:** **** Oct. 18, 2016**

(54) **SET OF GRIPPING PANELS FOR BAG CLOSURE**

(71) Applicant: **Inteplast Group, Ltd.**, Livingston, NJ (US)

(72) Inventors: **Ben Tseng**, East Brunswick, NJ (US);
Jyh-yao Raphael Li, Parsippany, NJ (US); **Kelvin Yang**, Madison, NJ (US)

(73) Assignee: **Inteplast Group Corporation**, Livingston, NJ (US)

(**) Term: **14 Years**

(21) Appl. No.: **29/516,308**

(22) Filed: **Jan. 30, 2015**

(51) **LOC (10) Cl.** **09-07**

(52) **U.S. Cl.**
USPC **D9/443**

(58) **Field of Classification Search**
USPC D7/387, 391, 392, 392.1, 397, 404,
D7/602; D9/434-436, 440, 443-445, 447,
D9/449, 450, 453-455, 499, 707, 709;
D28/5; 383/61.4, 63 X; 426/106
CPC B65D 33/2541; B65D 33/18
See application file for complete search history.

(56) **References Cited**

U.S. PATENT DOCUMENTS

4,842,421	A *	6/1989	Bullard	B65D 33/28 383/61.4
D373,951	S *	9/1996	Heinhold	D9/707
6,186,663	B1 *	2/2001	Ausnit	B31B 19/90 24/30.5 R
6,488,410	B2	12/2002	Schneider		
7,097,359	B2	8/2006	Plourde et al.		
D584,144	S *	1/2009	Mallory	D9/434
7,506,487	B2	3/2009	Eads et al.		
D661,836	S *	6/2012	Montarras	D23/366

8,529,129	B2 *	9/2013	Turvey	B65D 33/2541 383/44
D723,386	S *	3/2015	Stark	D9/707
D723,939	S *	3/2015	Porchia	D9/709
D724,442	S *	3/2015	Burggren	D9/709
D724,955	S *	3/2015	Porchia	D9/709
D736,099	S *	8/2015	Deuerer	D9/707
D742,247	S *	11/2015	Burggren	D9/709
2005/0281489	A1 *	12/2005	Yeh	B65D 33/007 383/35
2010/0209020	A1	8/2010	Delasalle		
2011/0075951	A1 *	3/2011	Tseng	B31B 19/98 383/37
2015/0266622	A1 *	9/2015	Tseng	B65D 33/18 383/37
2015/0344190	A1 *	12/2015	Tseng	B65D 33/28 383/75

* cited by examiner

Primary Examiner — Robert M Spear

Assistant Examiner — Darcey E Heflin

(74) *Attorney, Agent, or Firm* — Senniger Powers LLP

(57) **CLAIM**

The ornamental design for set of gripping panels for bag closure, as shown and described.

DESCRIPTION

FIG. 1 is a top, front, and right side perspective view of gripping panels in an open configuration;

FIG. 2 is a front view thereof, the rear view being identical to the front view;

FIG. 3 is a right side view thereof, the left side view being identical to the right side view;

FIG. 4 is a top view thereof;

FIG. 5 is a bottom view thereof; and,

FIG. 6 is an enlarged, cross-sectional view taken in the direction of line 6-6 in FIG. 2.

In the drawings, the broken lines depict environmental subject matter only that forms no part of the claim.

The claim is limited to the elements shown in solid line.

1 Claim, 6 Drawing Sheets

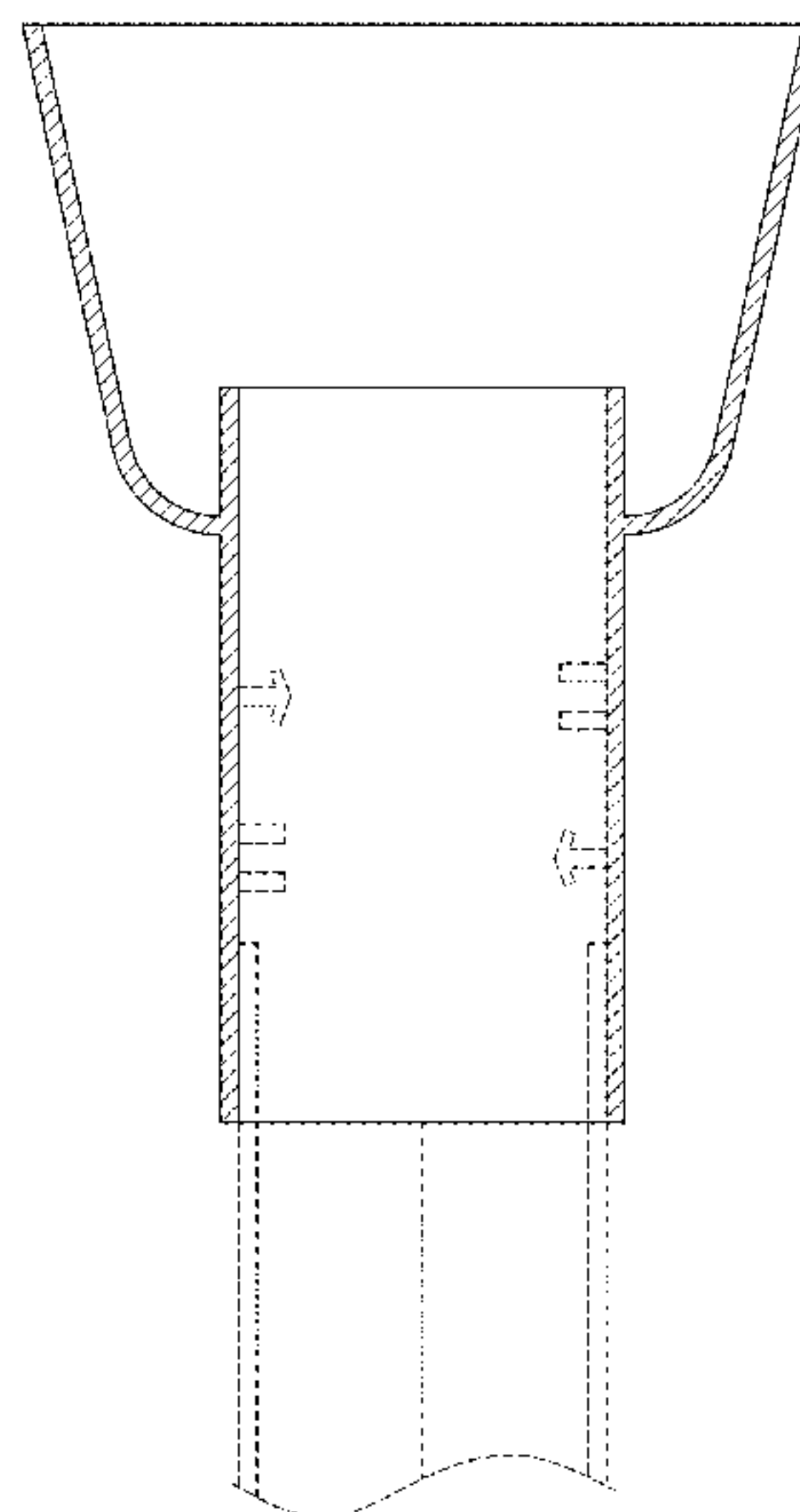
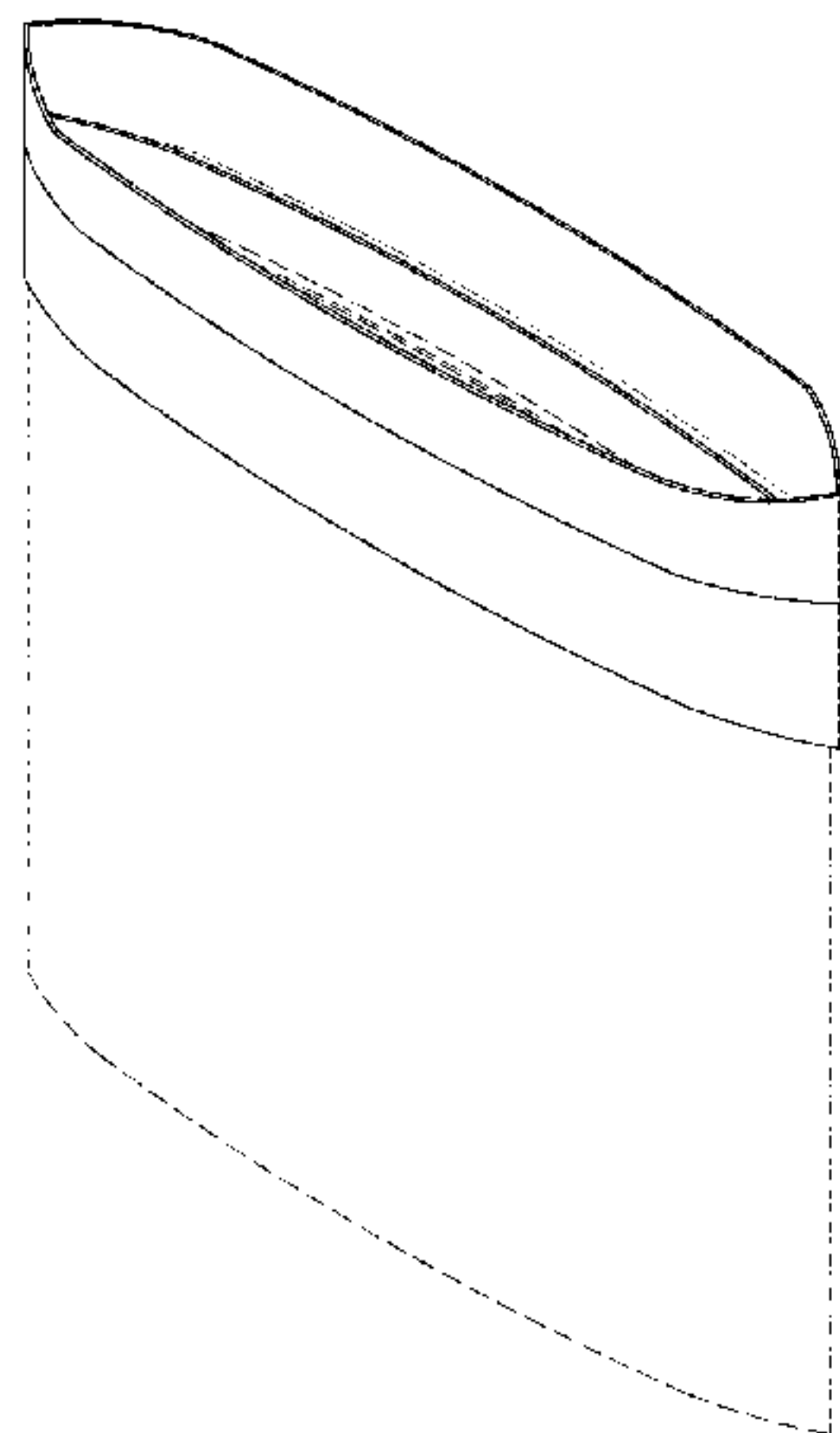


FIG. 1

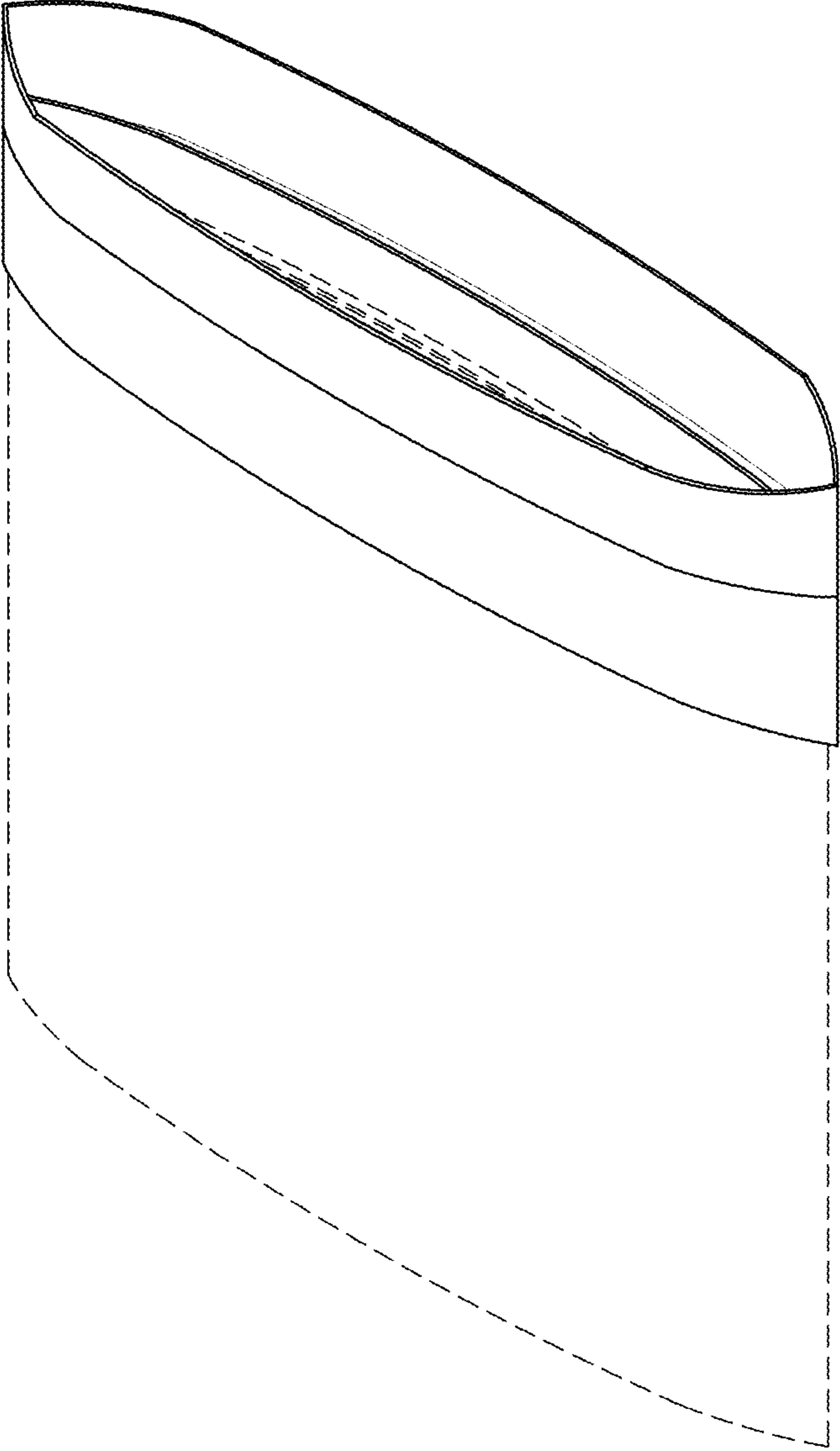


FIG. 2

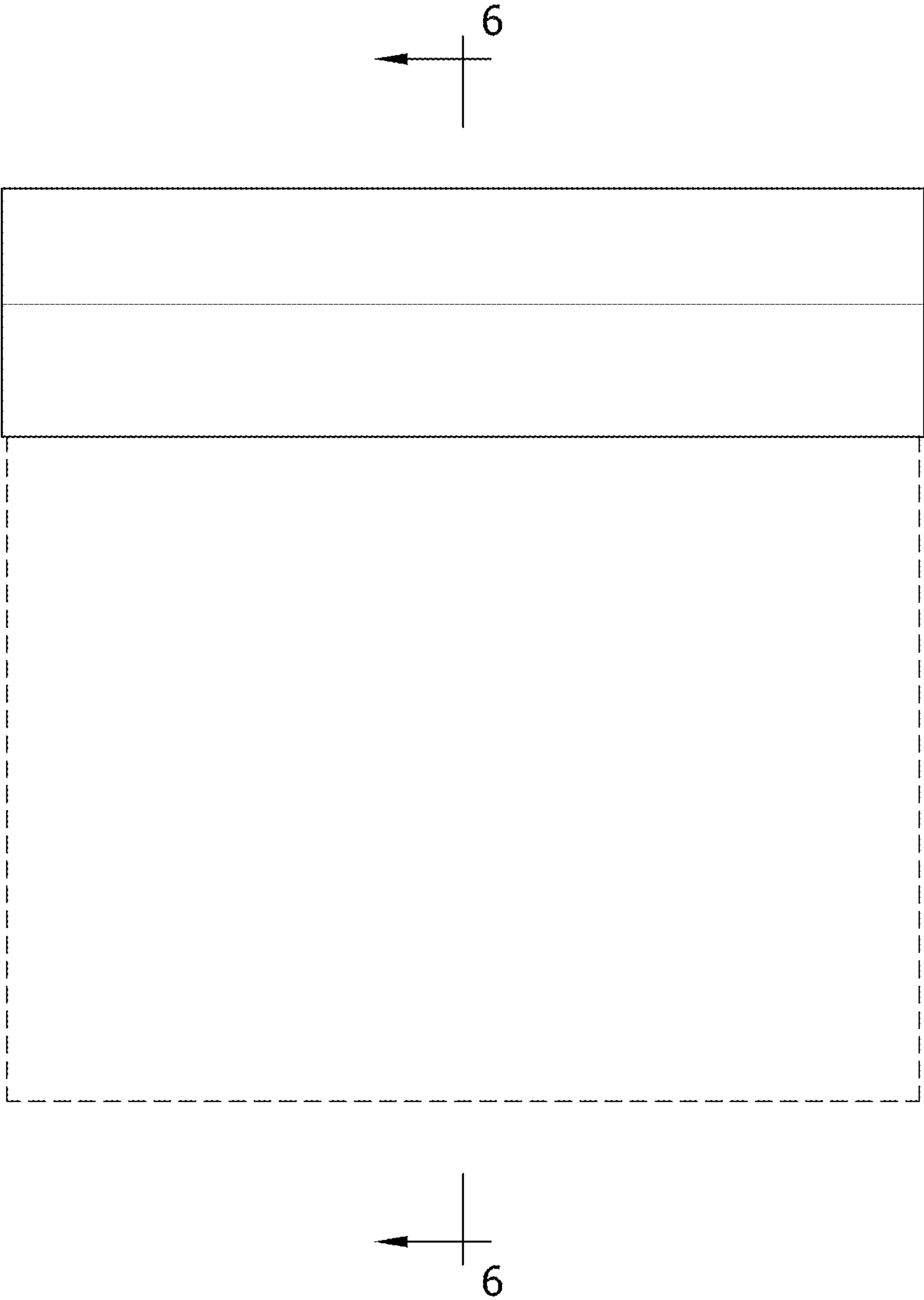


FIG. 3



FIG. 4

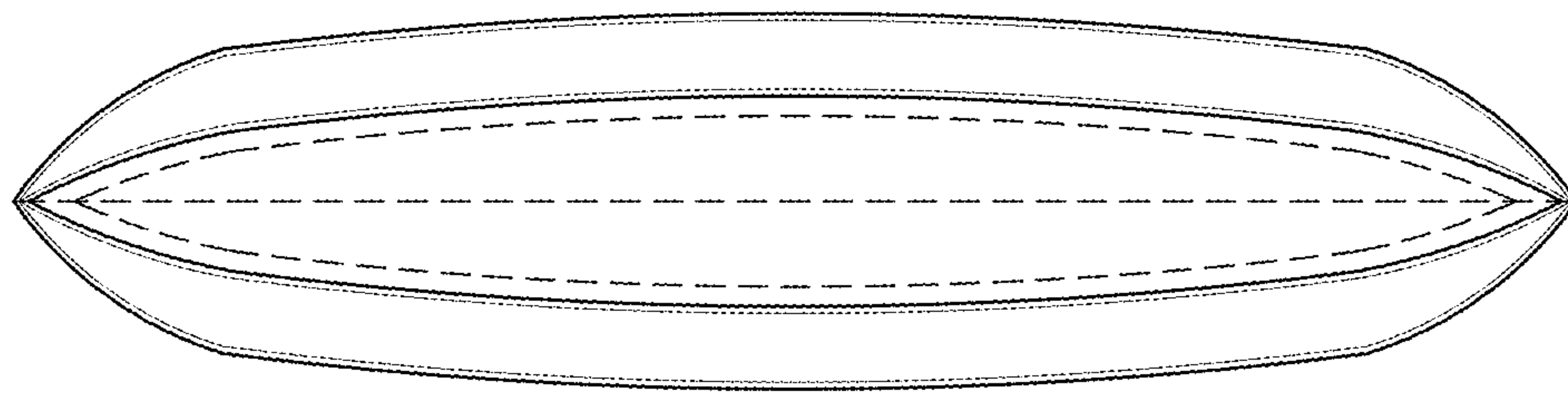


FIG. 5

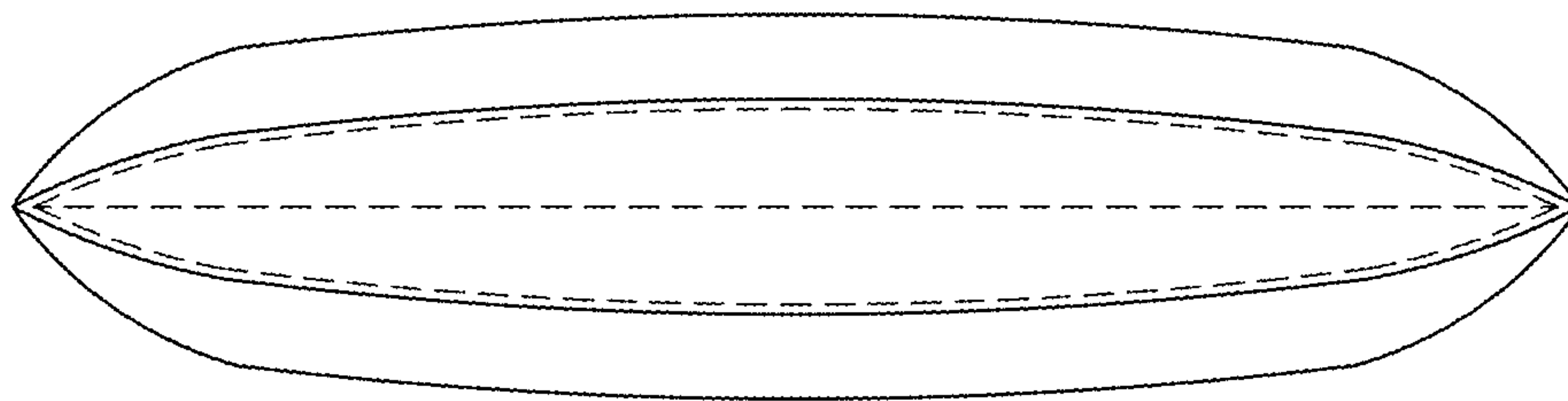


FIG. 6

