

US00D769115S

(12) **United States Design Patent** (10) **Patent No.:** **US D769,115 S**
Shimizu (45) **Date of Patent:** **** Oct. 18, 2016**

(54) **PACKAGING BOX**

(71) Applicant: **RIKEN TECHNOS CORPORATION**,
Tokyo (JP)

(72) Inventor: **Motohiro Shimizu**, Tokyo (JP)

(73) Assignee: **Riken Technos Corporation**, Tokyo
(JP)

(**) Term: **14 Years**

(21) Appl. No.: **29/492,623**

(22) Filed: **Jun. 2, 2014**

(51) **LOC (10) Cl.** **09-03**

(52) **U.S. Cl.**
USPC **D9/432**

(58) **Field of Classification Search**
USPC D9/430-434, 414-415, 417, 418,
D9/420-427, 634, 732; D3/272, 273, 302,
D3/304-309, 315; D7/601, 602, 609,
D7/619.1, 630

CPC B65D 5/00; B65D 5/0209; B65D 5/029;
B65D 5/40; B65D 5/72; B65D 5/727

See application file for complete search history.

(56) **References Cited**

U.S. PATENT DOCUMENTS

D195,430 S *	6/1963	Mapes	D8/347
D351,555 S *	10/1994	Blott	D9/432
D447,685 S *	9/2001	Chagnon	D9/416
D542,131 S *	5/2007	Egawa	D9/432
D657,239 S *	4/2012	Gavrilenkov	D9/432
D708,514 S *	7/2014	Kiamilev	D9/432

* cited by examiner

Primary Examiner — Vy Koenig

(74) *Attorney, Agent, or Firm* — Adam K. Sacharoff;
Much Shelist

(57) **CLAIM**

The ornamental design for a packaging box, as shown and described.

DESCRIPTION

FIG. 1 is a perspective view of a packaging box in accordance with the present invention;

FIG. 2 is a front view thereof;

FIG. 3 is a rear view thereof;

FIG. 4 is a top plan view thereof;

FIG. 5 is a bottom plan view thereof;

FIG. 6 is a right side view thereof;

FIG. 7 is a left side view thereof;

FIG. 8 is a perspective view of the upper box component of the packaging box from FIG. 1, shown separately for ease of illustration;

FIG. 9 is a front view of FIG. 8;

FIG. 10 is a rear view of FIG. 8;

FIG. 11 is a perspective view of the lower box component of the packaging box from FIG. 1, shown separately for ease of illustration;

FIG. 12 is a front view of FIG. 11;

FIG. 13 is a rear view of FIG. 11;

FIG. 14 is a top plan view of FIG. 11;

FIG. 15 is a bottom plan view of FIG. 11;

FIG. 16 is a right side view of FIG. 11;

FIG. 17 is a left side view of FIG. 11;

FIG. 18 is an enlarged view of the area "18" shown in FIG. 2;

FIG. 19 is an enlarged view of the area "19" shown in FIG. 2;

FIG. 20 is an enlarged view of the area "20" shown in FIG. 3; and,

FIG. 21 is an enlarged view of the area "21" shown in FIG. 3.

The lines depicted as "— - —" represent a perforated line forming part of the claimed design, while lines depicted as "- - -" represent environmental structure forming no part of the claimed design.

1 Claim, 7 Drawing Sheets

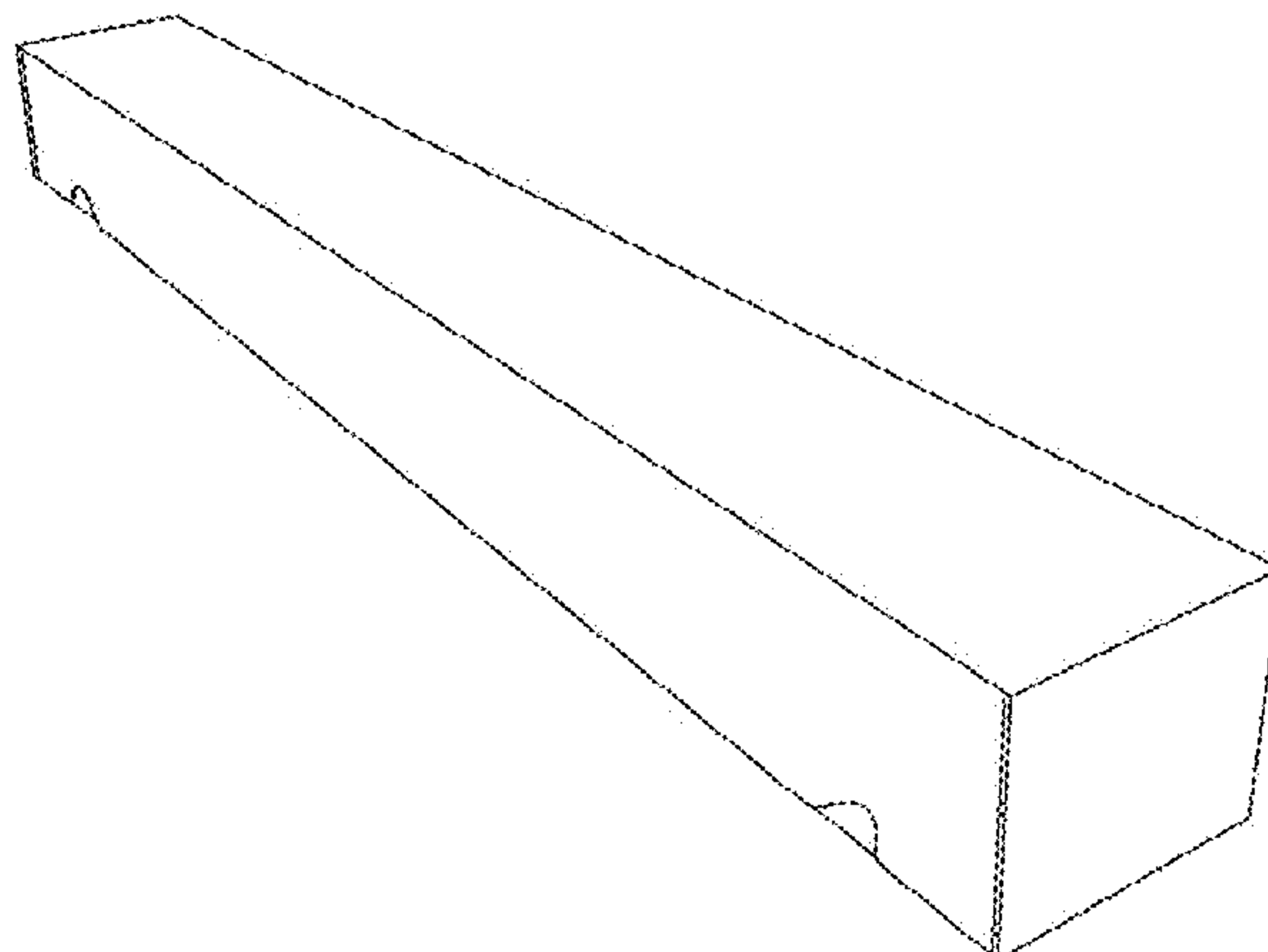


FIG.1

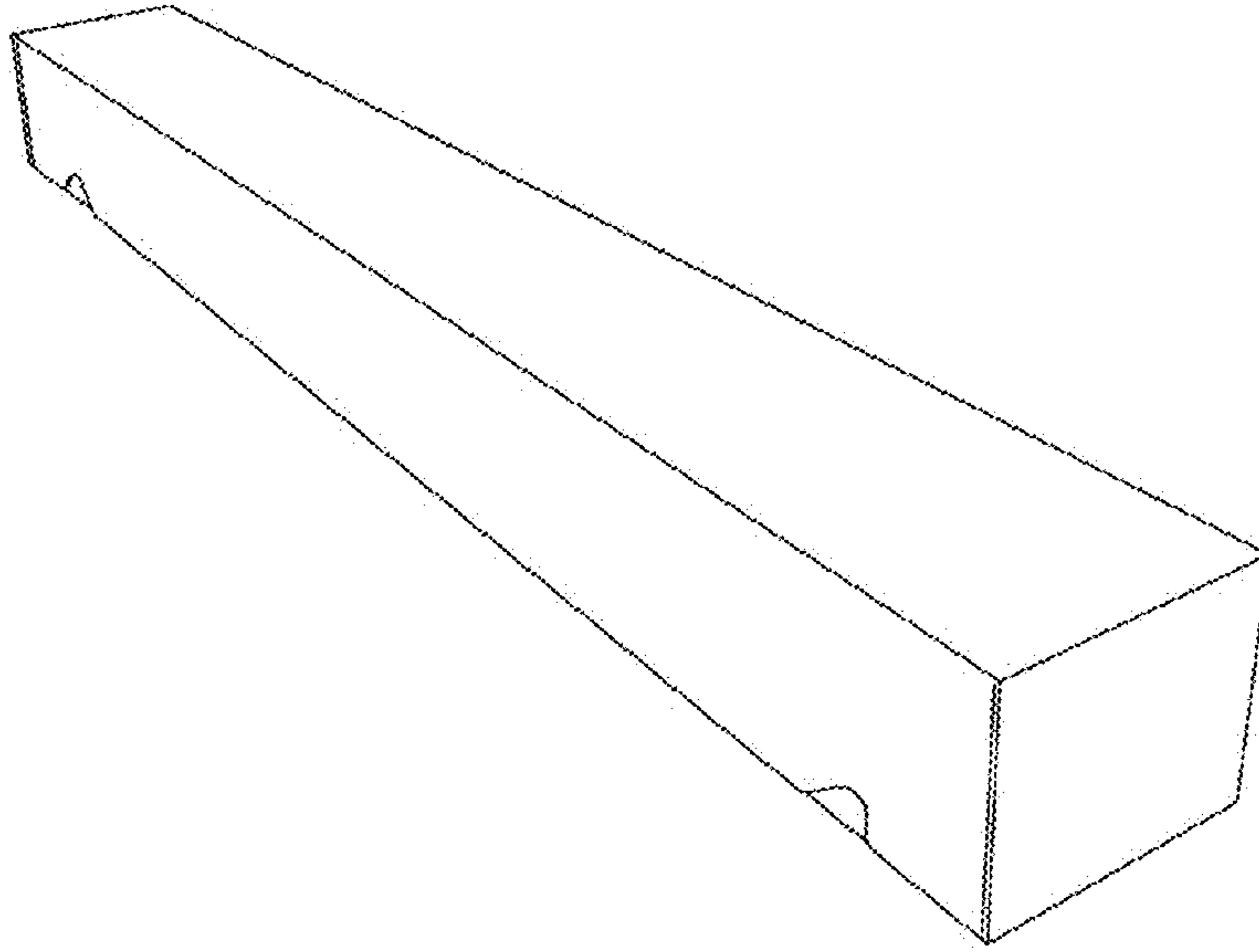


FIG.2

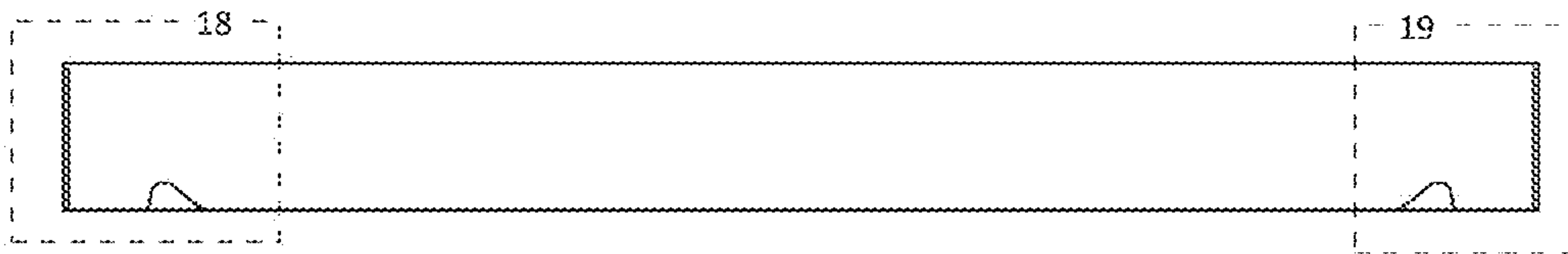


FIG.3

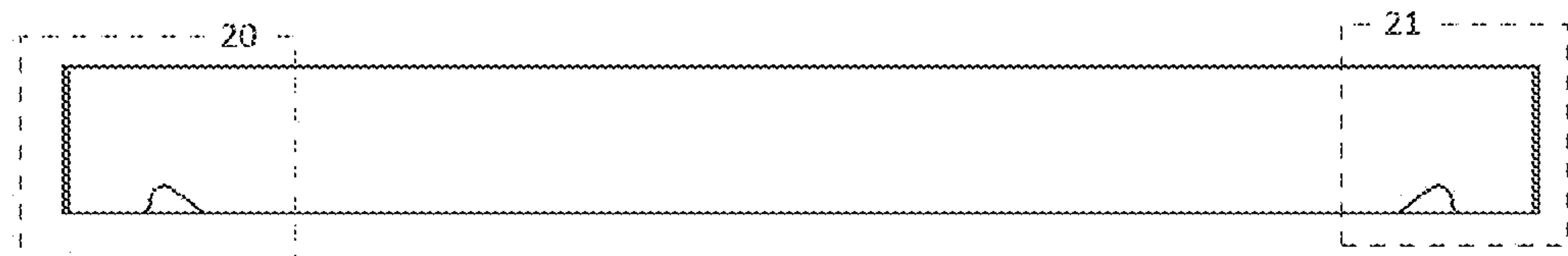


FIG. 4



FIG. 5



FIG. 6



FIG. 7

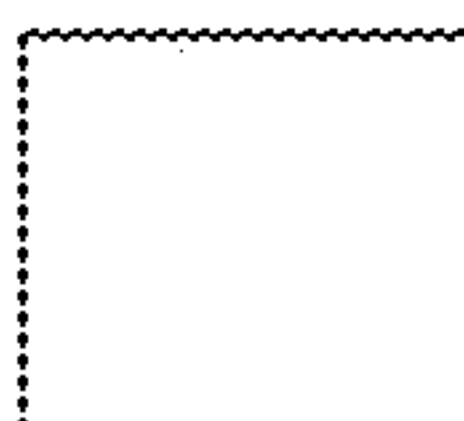


FIG.8

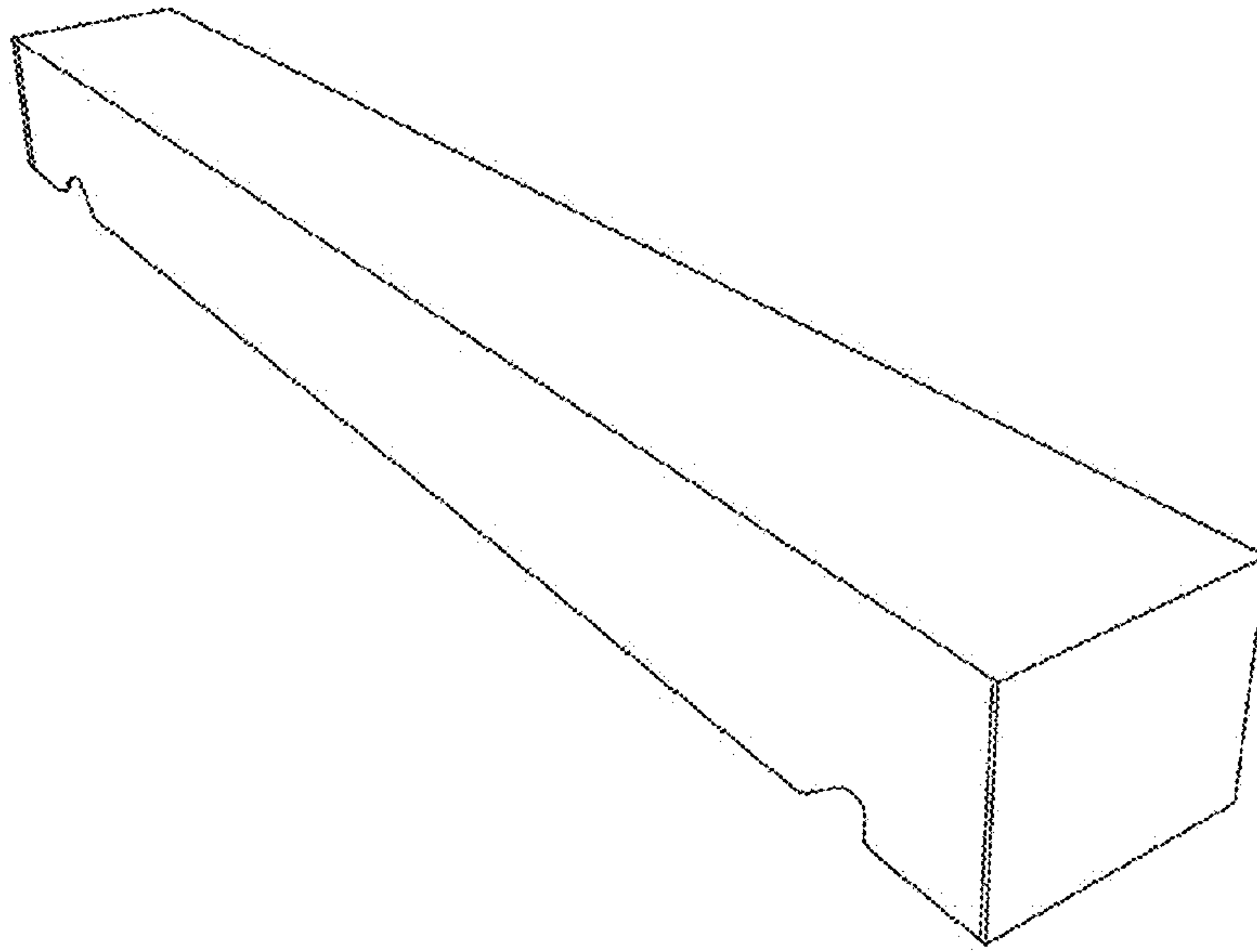


FIG.9



FIG.10



FIG. 11

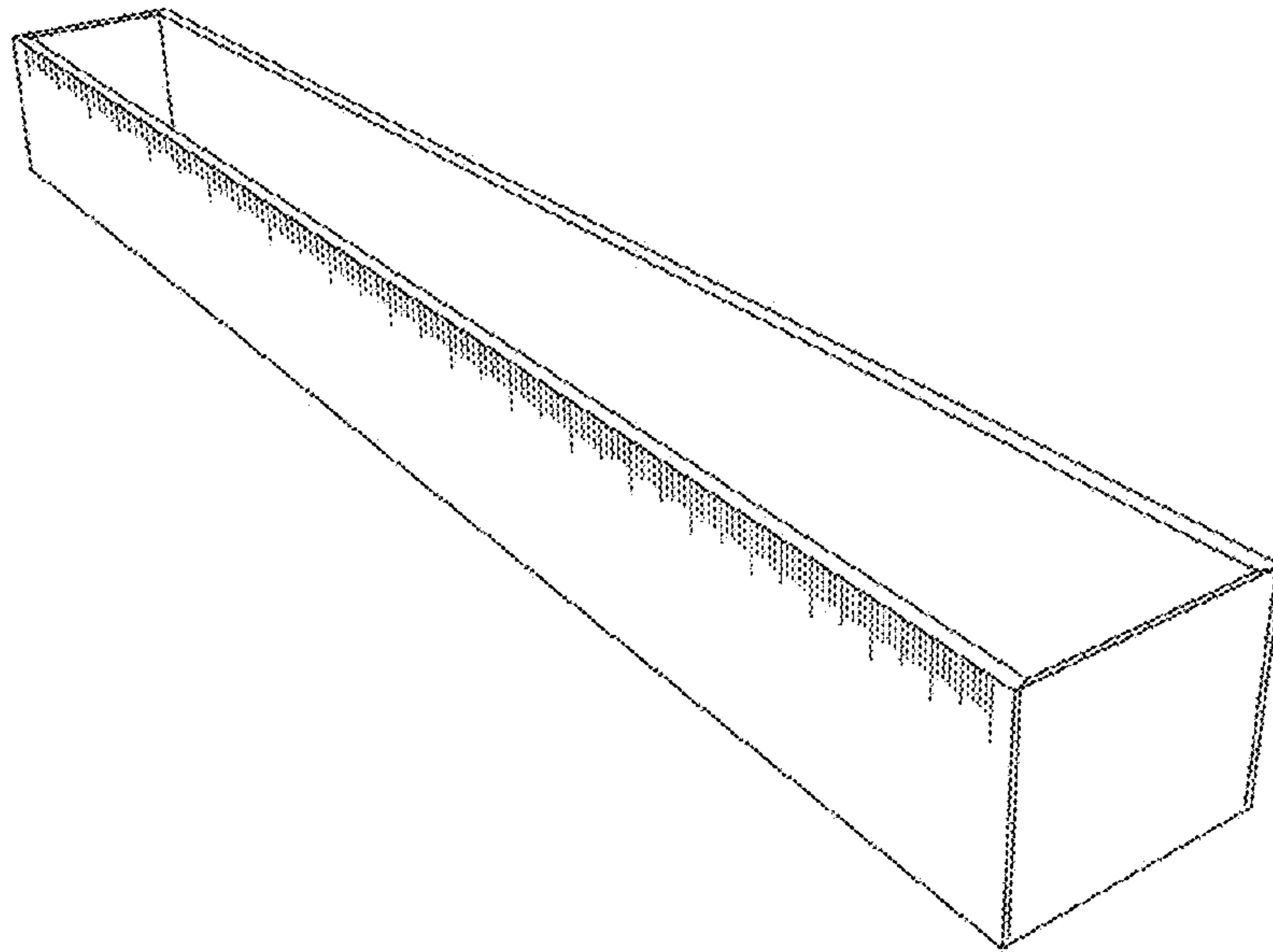


FIG. 12

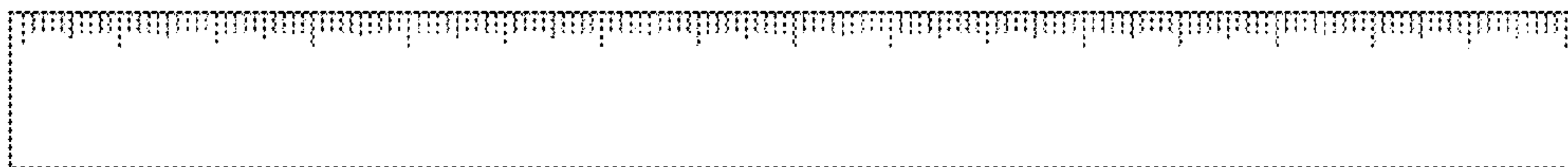


FIG. 13

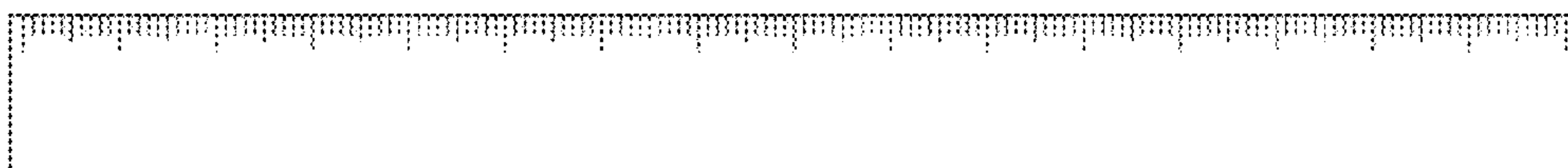


FIG.14



FIG.15



FIG.16

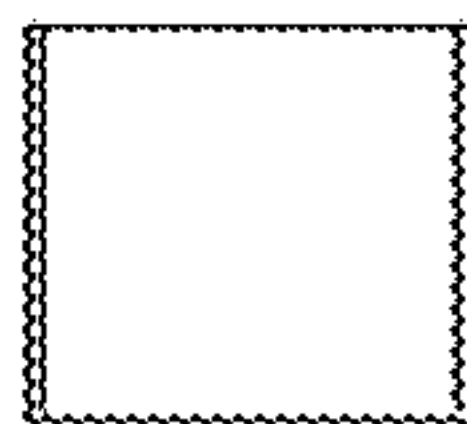


FIG.17

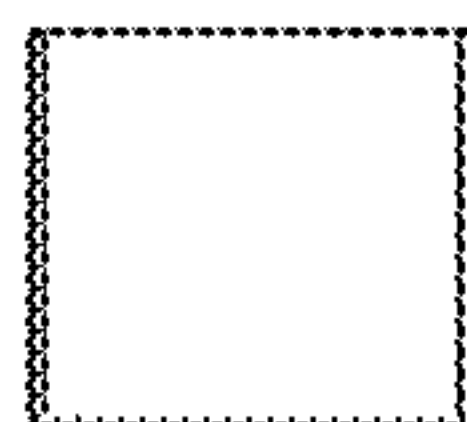


FIG. 18

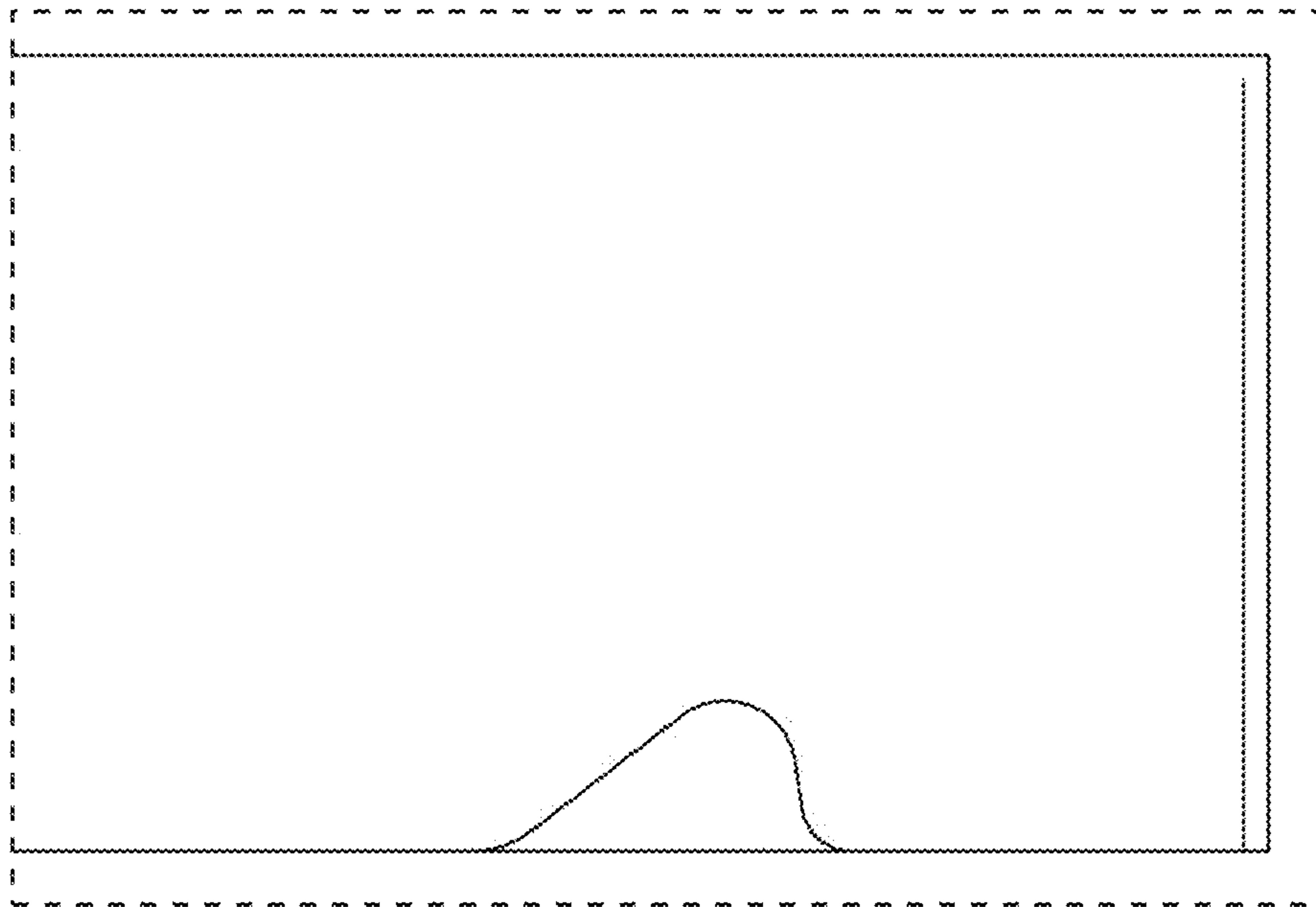
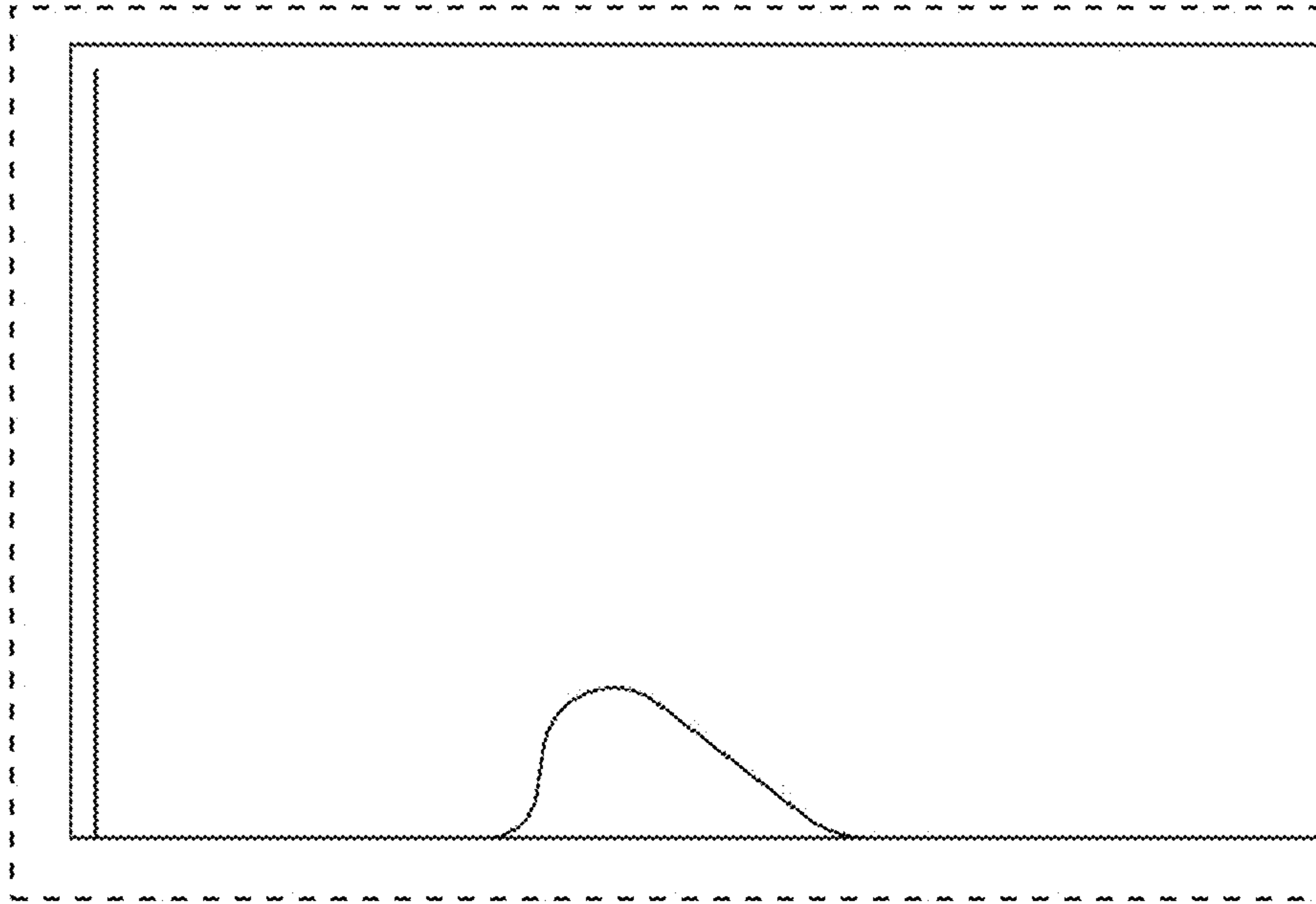


FIG. 19

FIG. 20

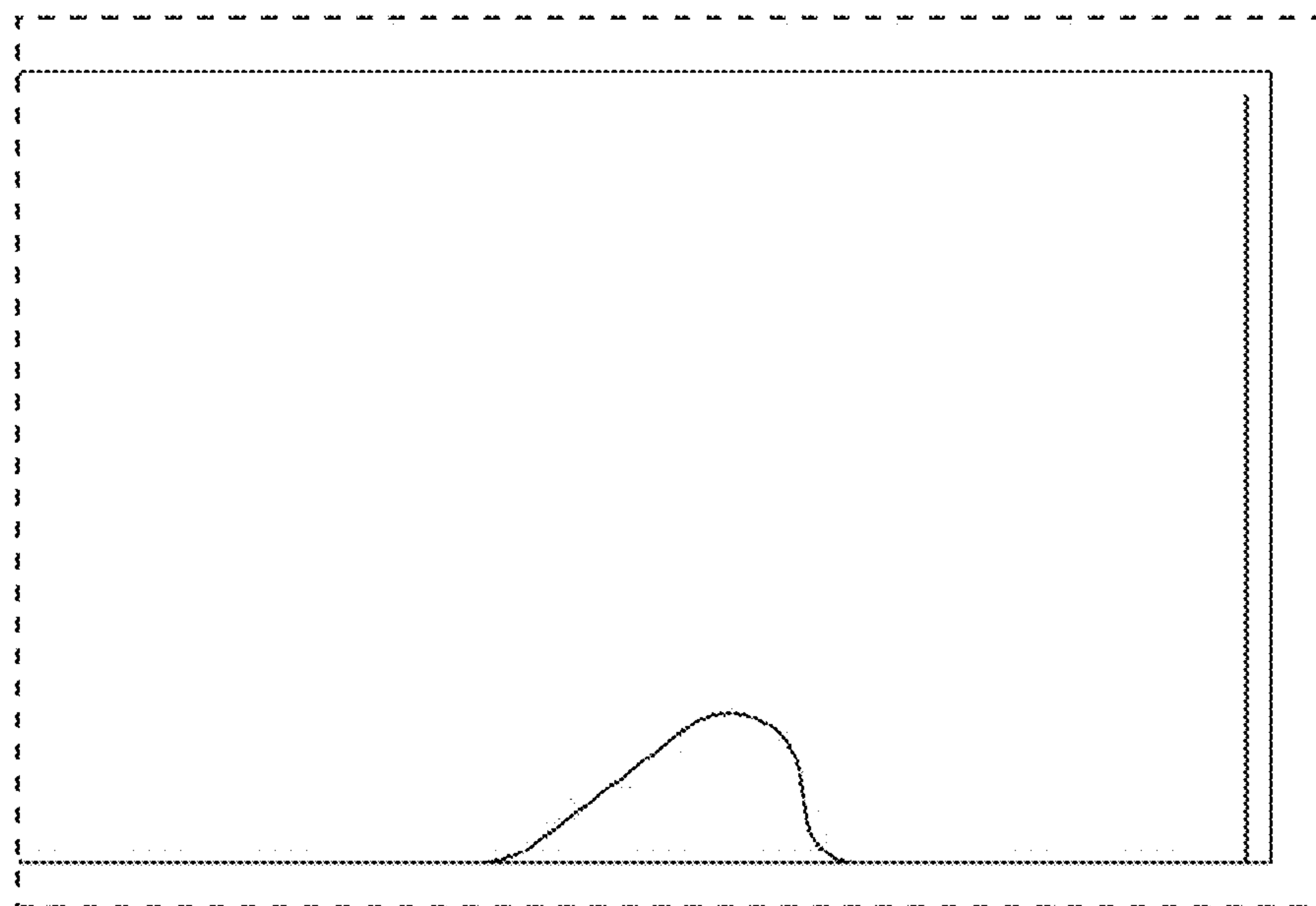
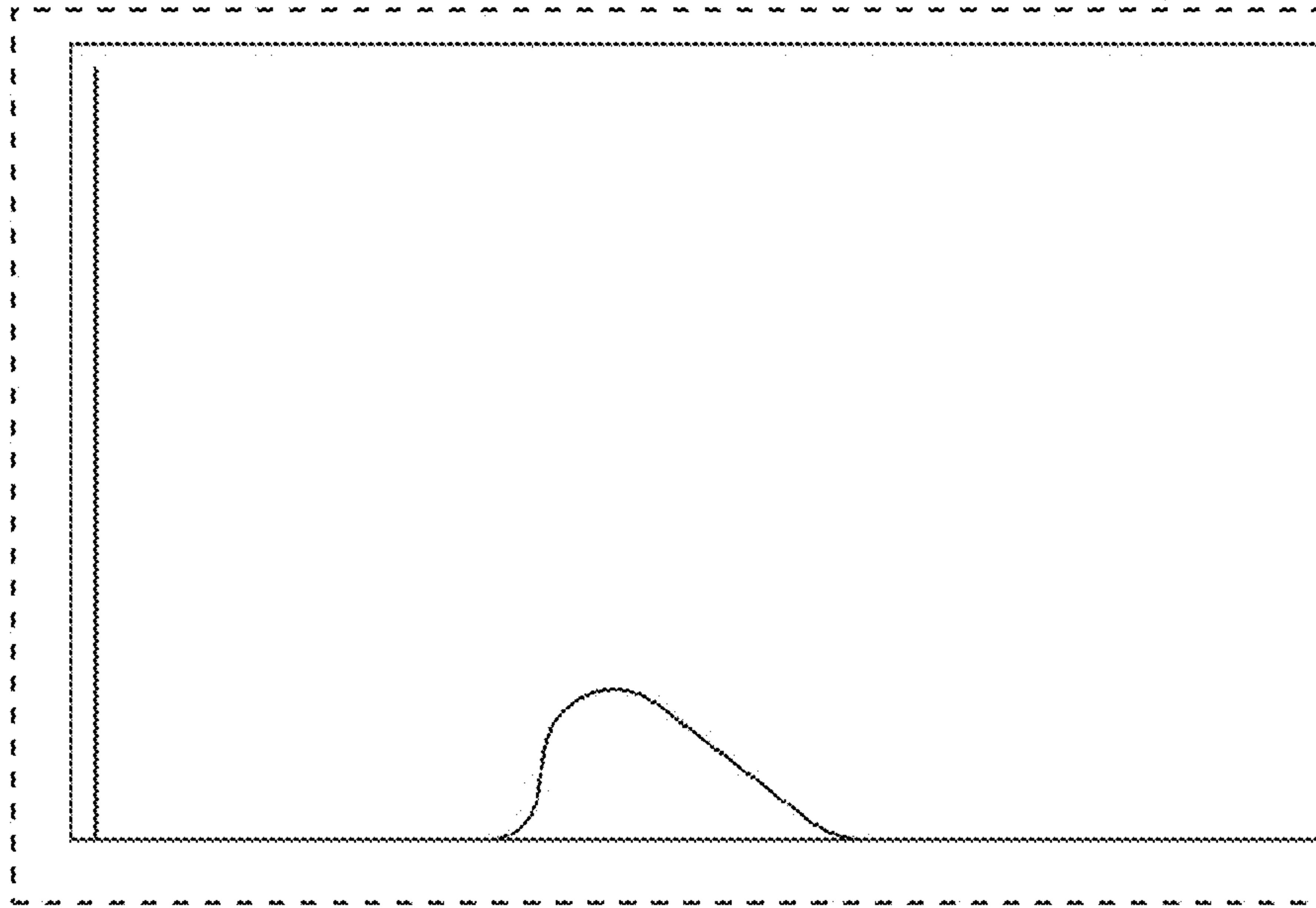


FIG. 21