

US00D769114S

(12) **United States Design Patent**
Montemayor et al.

(10) **Patent No.:** **US D769,114 S**

(45) **Date of Patent:** **** Oct. 18, 2016**

(54) **COMBINED CHIP BOX CONTAINER AND SERVING BOWL**

(71) Applicant: **HARBAR LLC**, Canton, MA (US)

(72) Inventors: **Ezequiel Montemayor**, Dover, MA (US); **Enrique Montemayor**, Dover, MA (US)

(73) Assignee: **Harbar LLC**, Canton, MA (US)

(**) Term: **14 Years**

(21) Appl. No.: **29/515,475**

(22) Filed: **Jan. 23, 2015**

(51) **LOC (10) Cl.** **09-03**

(52) **U.S. Cl.**
USPC **D9/431; D9/433**

(58) **Field of Classification Search**
USPC D9/414–418, 420–427, 430–434;
D3/272, 273, 302, 304–309, 315;
D7/601, 602, 609, 619.1, 630
CPC B65D 5/00–5/02; B65D 5/0209–5/0272;
B65D 5/029; B65D 5/40; B65D 5/72; B65D
5/727; B65D 31/10–31/18; B65D 35/04;
B65D 35/56

See application file for complete search history.

(56) **References Cited**

U.S. PATENT DOCUMENTS

- 396,570 A * 1/1889 Hotchkiss B65D 5/4287
229/114
- D217,441 S * 5/1970 Kanaga D9/421
- 5,411,204 A * 5/1995 DeMay B65D 5/2047
229/114
- D562,126 S * 2/2008 Kienemund-Paroll D9/418
- D571,653 S * 6/2008 Kienemund-Paroll D9/418
- D631,743 S * 2/2011 Hubbard, Jr. D9/431

- D684,465 S * 6/2013 Vernon D9/421
- D684,858 S * 6/2013 Sill D9/421
- D688,552 S * 8/2013 Vernon D7/602
- D706,132 S * 6/2014 Sill D9/432
- 9,216,837 B2 * 12/2015 Hubbard B65D 5/2047
- 2007/0017964 A1 * 1/2007 Kamolsuwan B65D 5/2047
229/155

* cited by examiner

Primary Examiner — Vy Koenig

(74) *Attorney, Agent, or Firm* — Davis & Bujold PLLC;
Michael J. Bujold

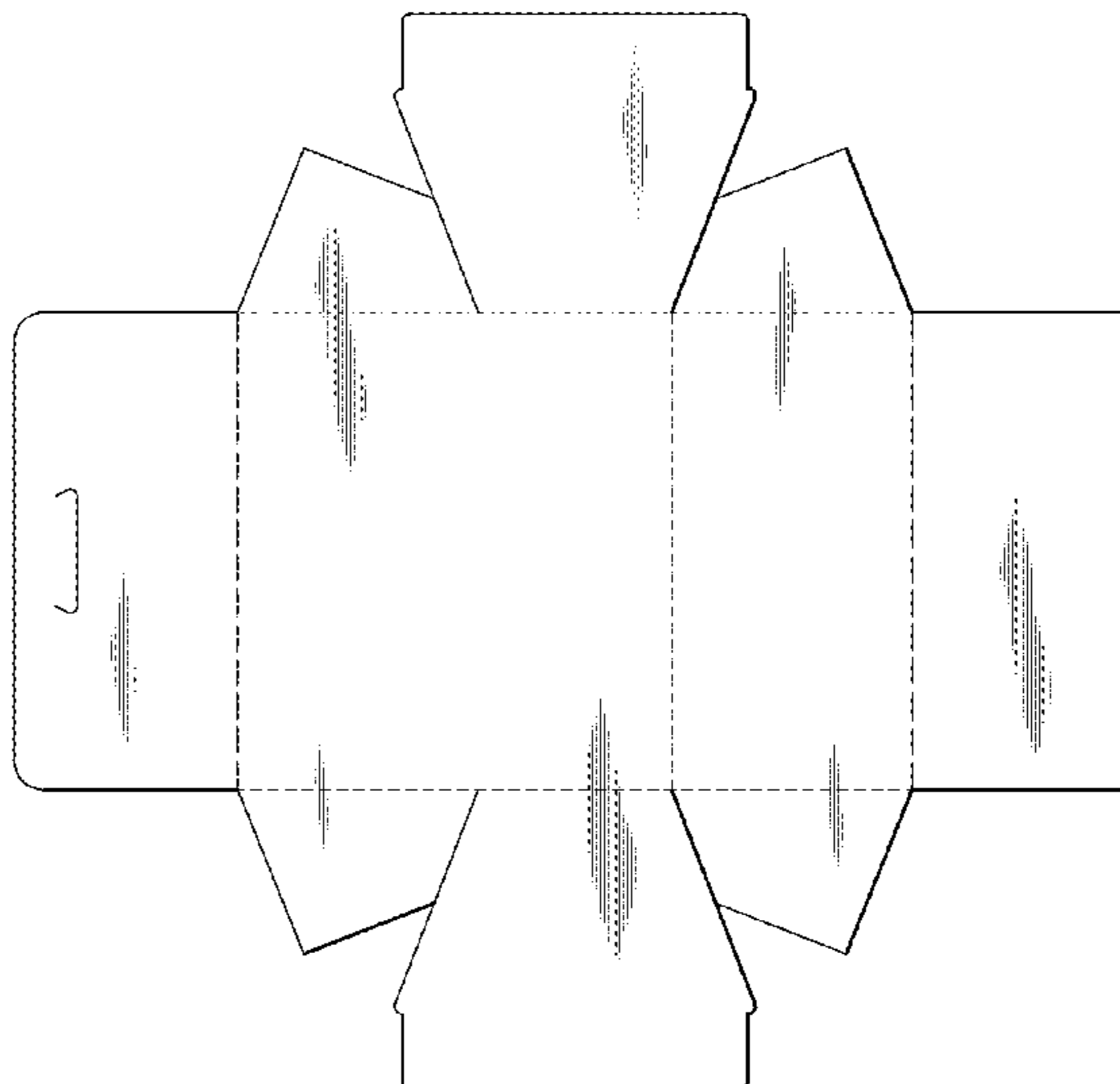
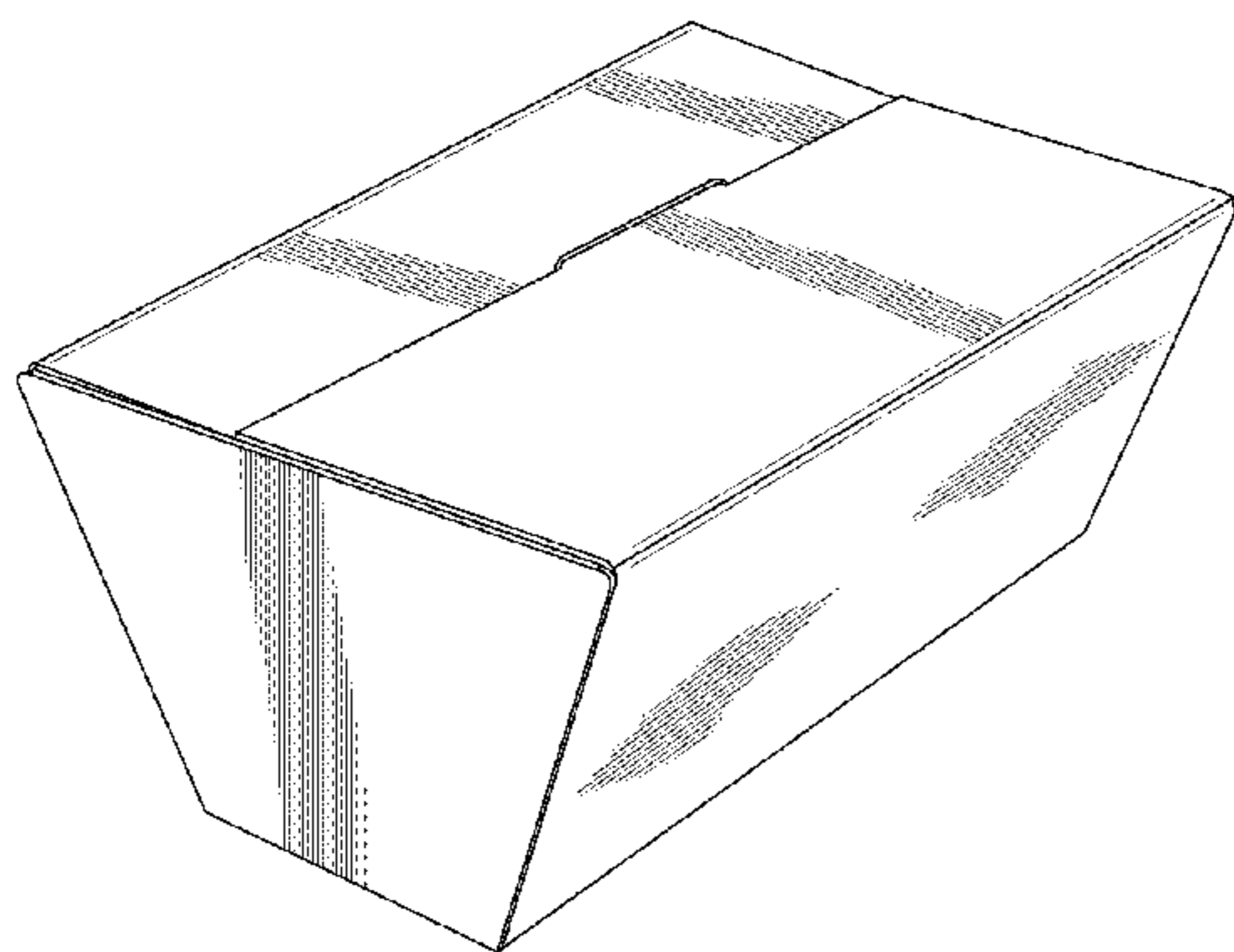
(57) **CLAIM**

We claim the ornamental design for a combined chip box container and serving bowl, as shown and described.

DESCRIPTION

FIG. 1 is a perspective view of a combined chip box container and serving bowl embodying our new design; FIG. 2 is a right side elevational view thereof and the left side elevational view is a mirror image thereof; FIG. 3 is a front elevational view thereof; FIG. 4 is a rear elevational view thereof; FIG. 5 is a top plan view thereof; FIG. 6 is a bottom plan view thereof; FIG. 7 is a top plan view of the combined chip box container and serving bowl prior to being folding into the combined chip box container and serving bowl, shown in FIG. 1, and the bottom plan view is a mirror image thereof; FIG. 8 is a left side elevational view of FIG. 7; FIG. 9 is a right side elevational view of FIG. 7; FIG. 10 is a rear elevational view of FIG. 7; and, FIG. 11 is a front elevational view of FIG. 7. The broken lines shown in FIG. 7 illustrate fold lines and form part of the claimed design.

1 Claim, 5 Drawing Sheets



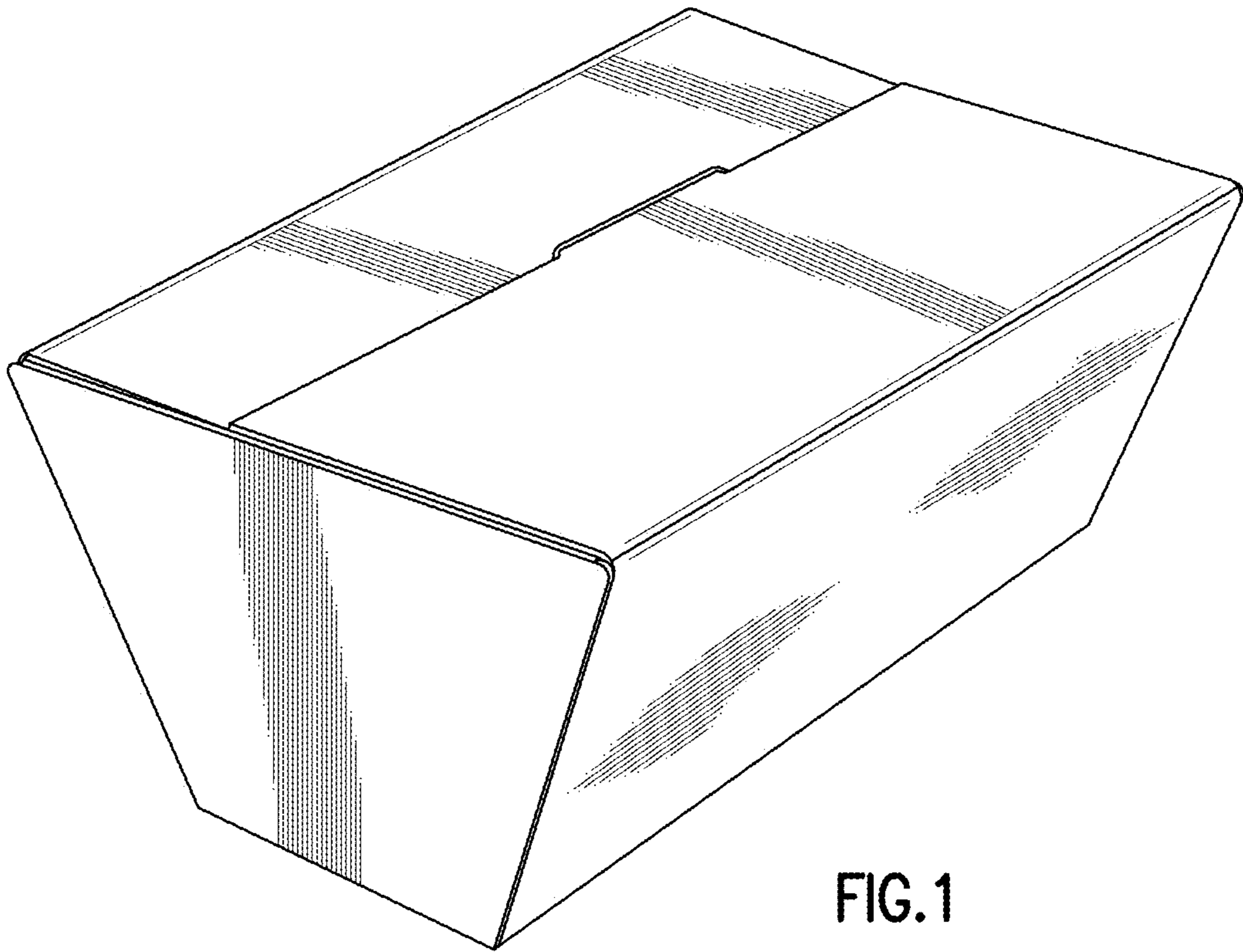


FIG.1

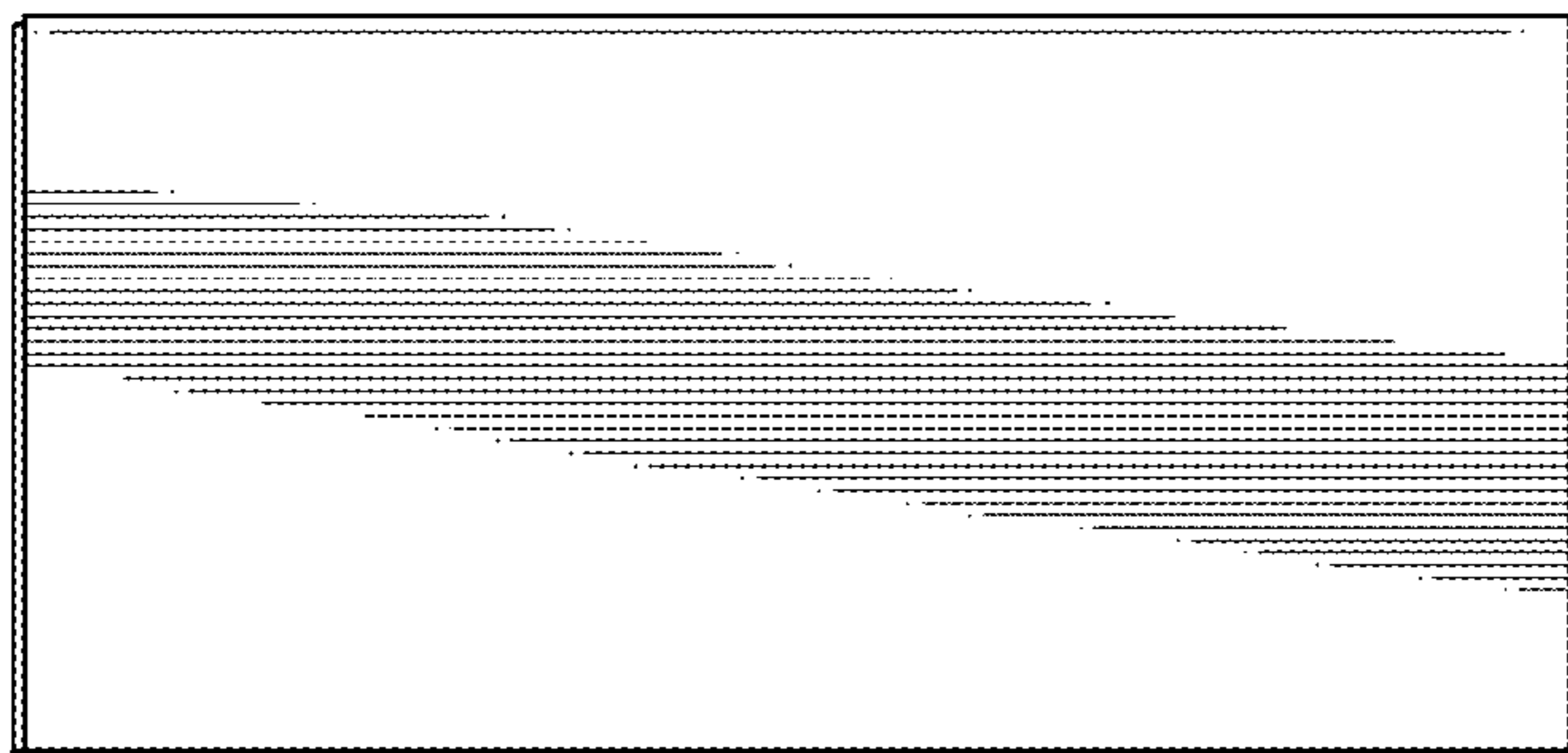


FIG. 2

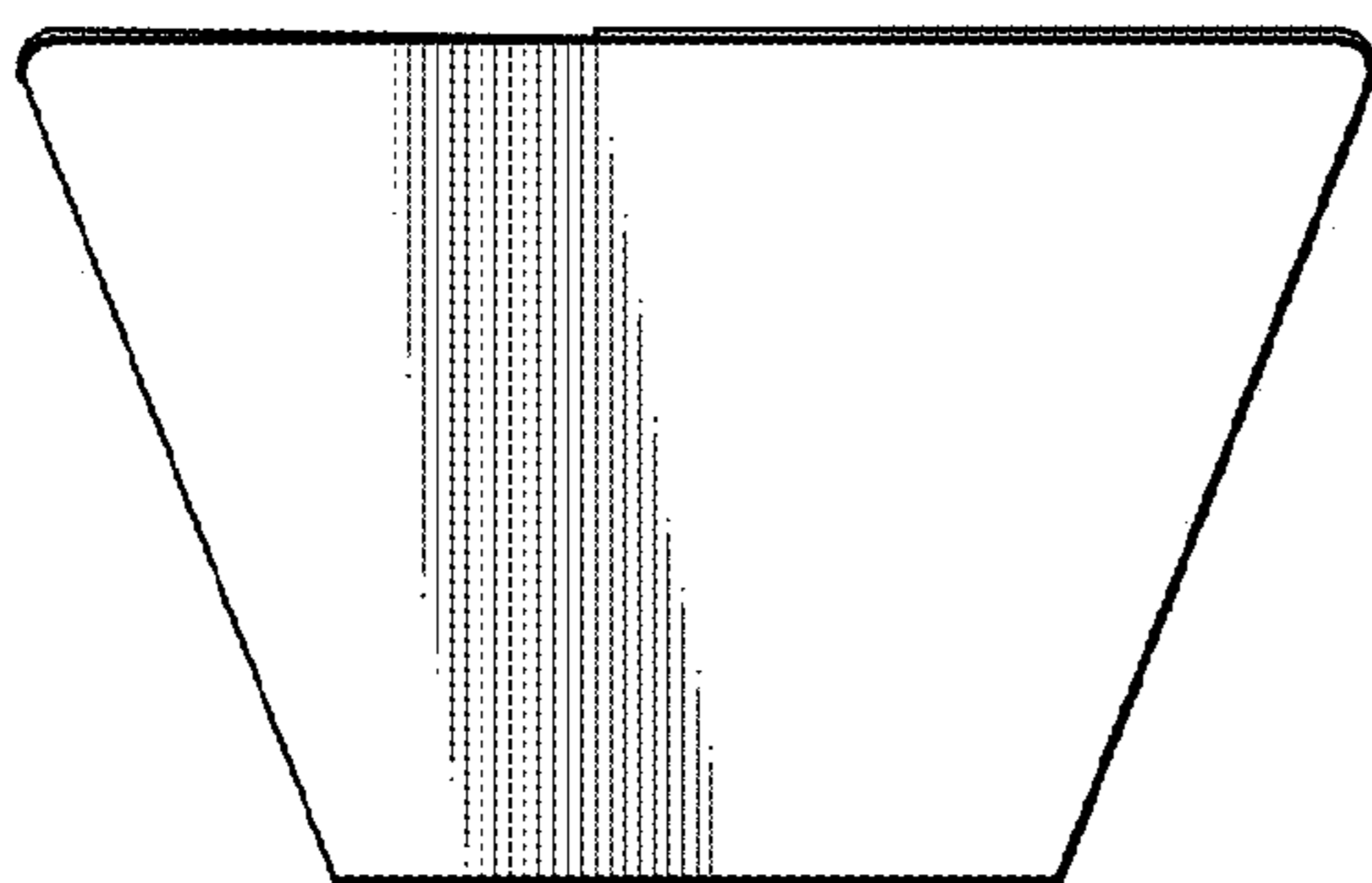


FIG. 3

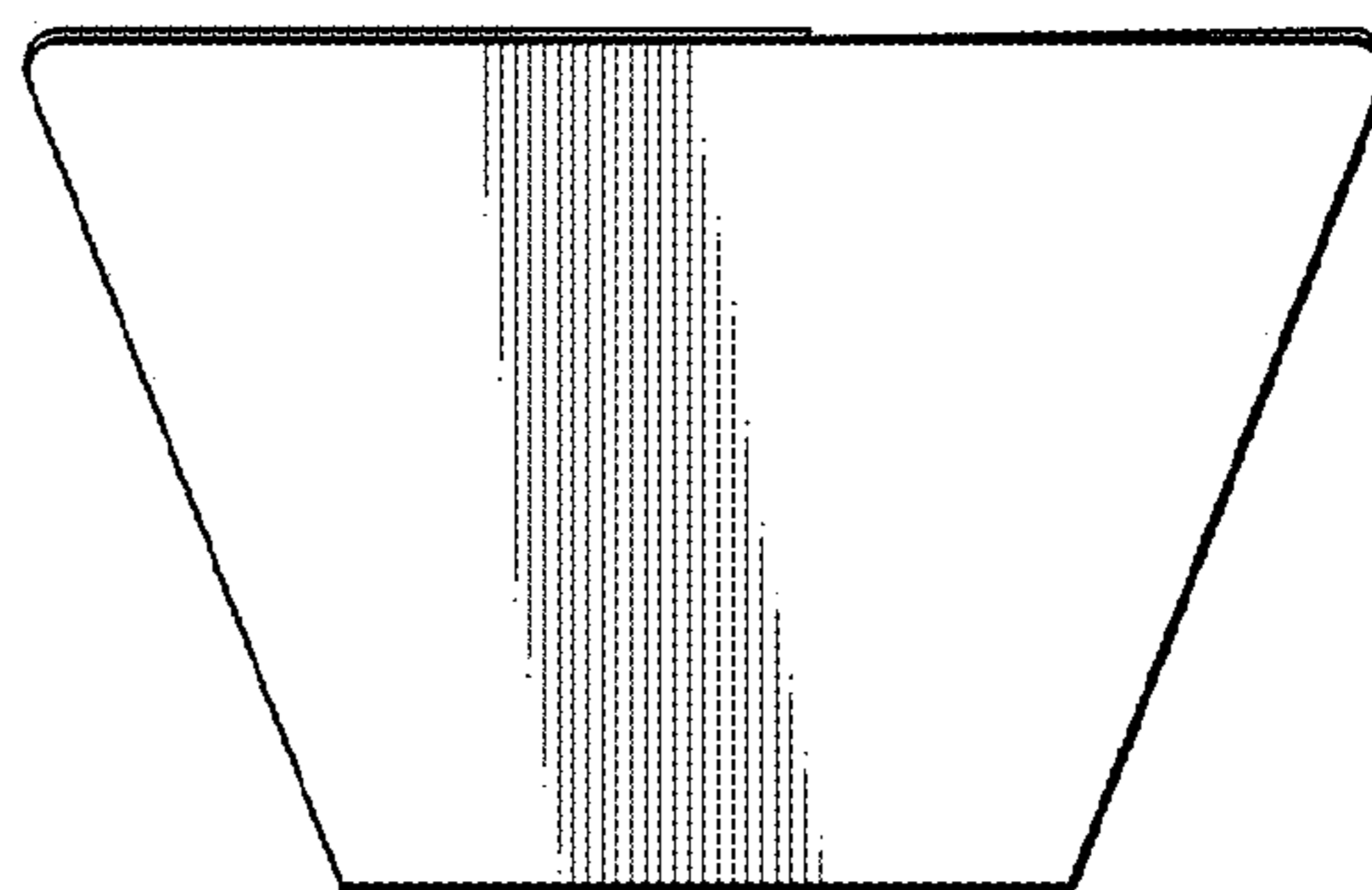


FIG. 4

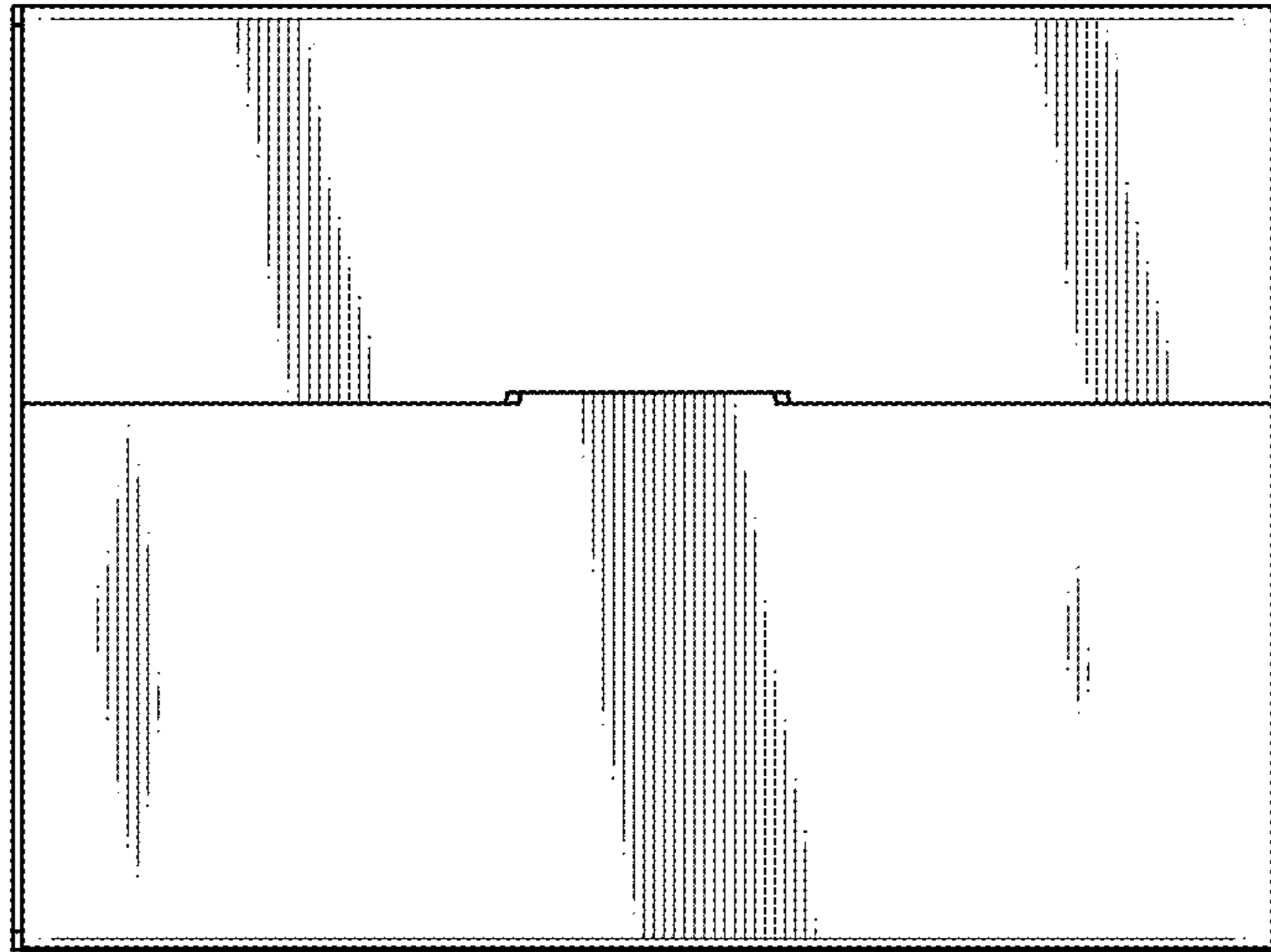


FIG. 5

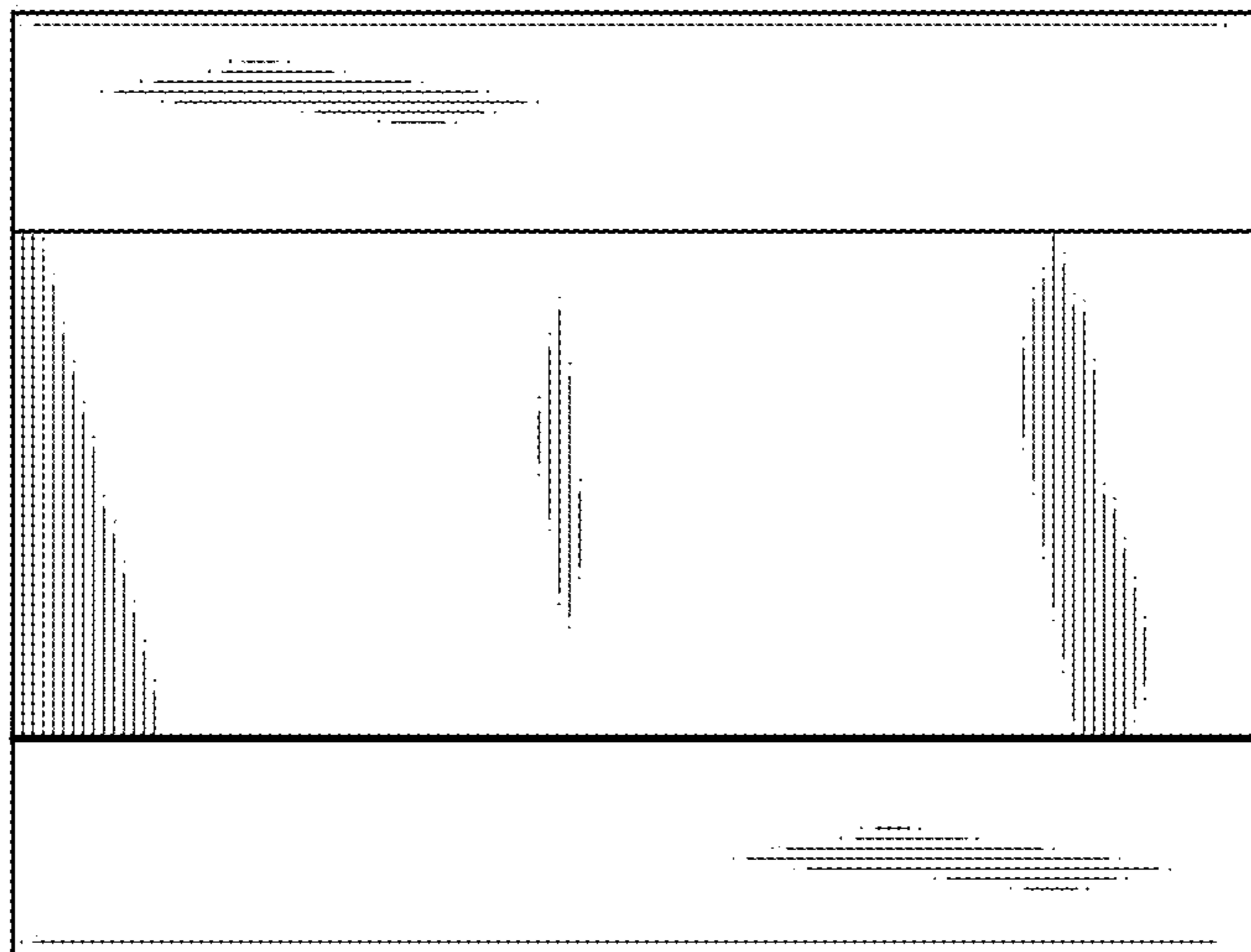


FIG. 6

FIG.9

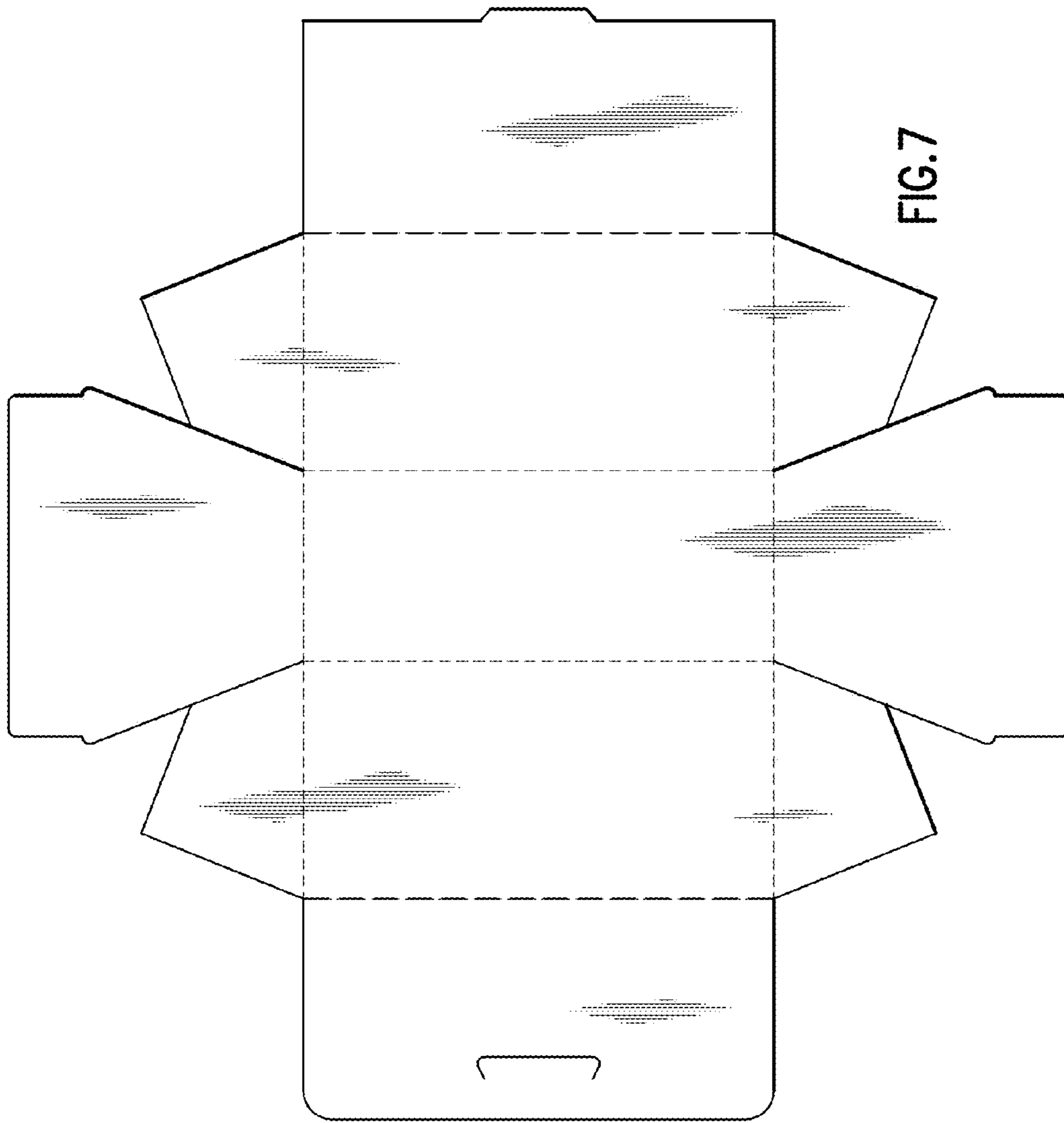


FIG.7

FIG.8





FIG.10



FIG.11