



US00D769113S

(12) **United States Design Patent**
Chen

(10) **Patent No.:** **US D769,113 S**
(45) **Date of Patent:** **** Oct. 18, 2016**

(54) **RECTANGULAR FOOD CONTAINER**

(71) Applicant: **Ya-Chien Chen**, Taipei (TW)

(72) Inventor: **Ya-Chien Chen**, Taipei (TW)

(**) Term: **14 Years**

(21) Appl. No.: **29/525,961**

(22) Filed: **May 5, 2015**

(51) **LOC (10) Cl.** **09-03**

(52) **U.S. Cl.**

USPC **D9/425**

(58) **Field of Classification Search**

USPC D9/414, 415, 423, 424, 425, 430, 432,
D9/737; D7/400, 553.1, 553.2, 554.3, 545,
D7/555, 601, 602, 629, 630; 220/62.12,
220/200, 213, 315, 318, 500, 553, 554, 555,
220/556, 557, 660, 669, 675, 676, 677, 780,
220/796, 810; 426/106, 112, 115

CPC B65D 2543/00296; B65D 2543/00092;
B65D 85/8043; B65D 43/0212; B65D
1/0223; B65D 2543/00509; B65D
2543/00731; B65D 79/005; B65D 25/04;
B65D 2543/00805; B65D 1/36; B65D 85/72;
B65D 1/34; B65D 81/3453; B65D 51/20;
B65D 2543/00027; B65D 2543/00648;
B65D 2543/00972; B65D 85/73; B65D
2543/00416; B65D 2543/00694; B65D 25/00;
B65D 81/3216; B65D 2543/00759; B65D
1/0207; B65D 81/3205; B65D 2519/00288;
B65D 2519/00034; B65D 2519/00069;
B65D 25/08; B65D 1/24; B65D 2519/00174;
B65D 2519/00268; B65D 2519/00318;
B65D 77/003; B65D 2519/00208

See application file for complete search history.

(56) **References Cited**

U.S. PATENT DOCUMENTS

D408,282 S * 4/1999 McCann D9/423
D408,733 S * 4/1999 McCann D9/423

D466,808 S * 12/2002 Liu D9/425
D512,305 S * 12/2005 Ramirez D9/425
D591,148 S * 4/2009 Parikh D7/629
D592,500 S * 5/2009 Colacitti D7/354
D606,812 S * 12/2009 Wu D7/629
D627,219 S * 11/2010 Golota D9/424
D664,425 S * 7/2012 Krupa D9/420
D664,427 S * 7/2012 Chen D9/425
D664,842 S * 8/2012 Meyer D9/425
D681,451 S * 5/2013 Kui D9/432
D684,466 S * 6/2013 Wichmann D9/426
D699,568 S * 2/2014 Epstein D9/425
2009/0218356 A1 * 9/2009 Colacitti B29C 45/14
220/574
2010/0065461 A1 * 3/2010 Chhay B65D 21/0222
206/505
2015/0284155 A1 * 10/2015 Stamper B65D 43/0218
220/203.09

* cited by examiner

Primary Examiner — Derrick Holland

Assistant Examiner — Lauren Calve

(74) *Attorney, Agent, or Firm* — Rosenberg, Klein & Lee

(57) **CLAIM**

The ornamental design for a rectangular food container, as shown and described.

DESCRIPTION

FIG. 1 is a perspective view of a rectangular food container showing my new design;

FIG. 2 is a front elevation view thereof; the rear elevation view being identical;

FIG. 3 is a left side elevation view thereof; the right side elevation view being identical;

FIG. 4 is a top plan view thereof;

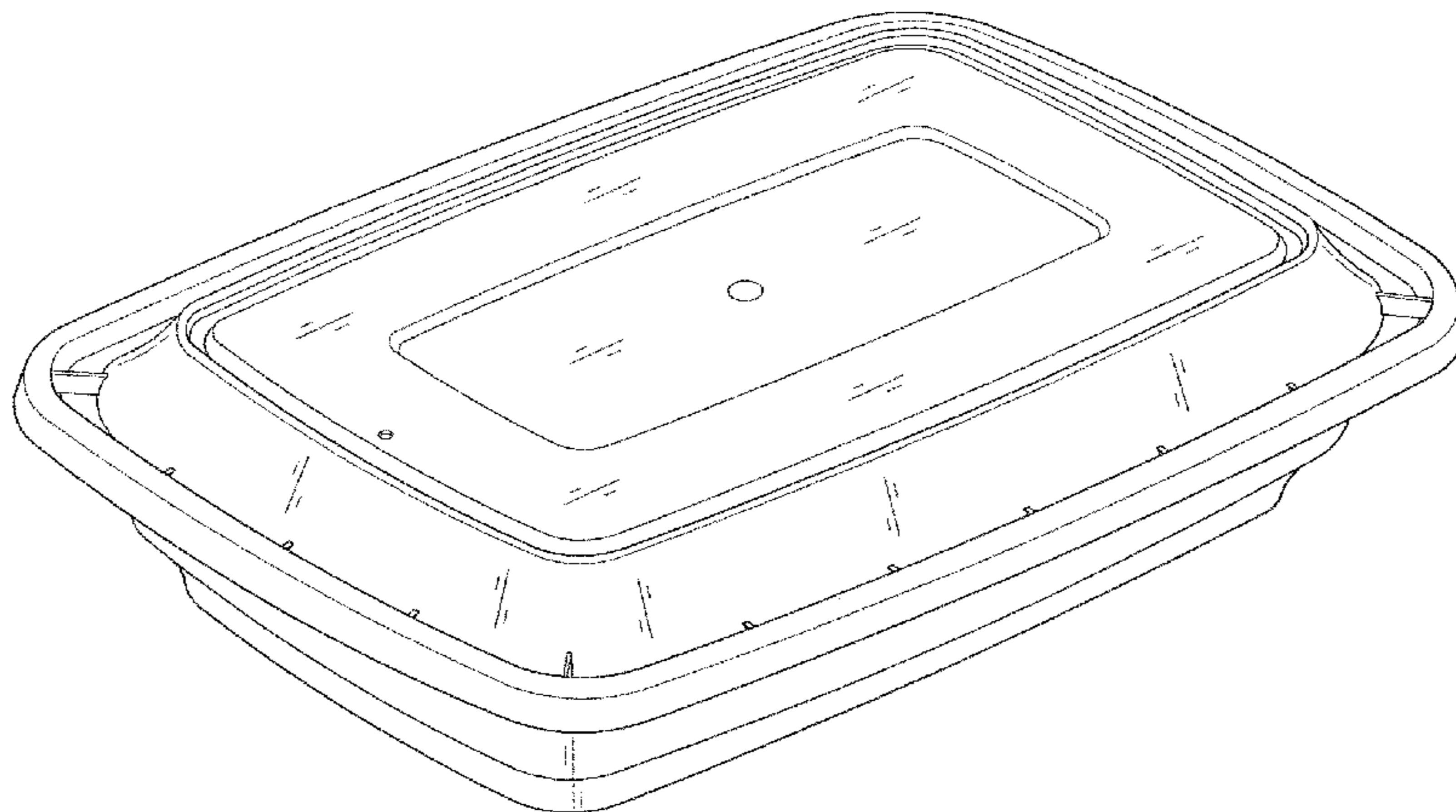
FIG. 5 is a bottom plan view thereof;

FIG. 6 is a side sectional view thereof according to lines 6-6 as indicated in FIG. 4; and,

FIG. 7 is the side sectional view of FIG. 6 shown in environmental use.

The broken lines shown represent unclaimed subject matter and form no part of the claimed design.

1 Claim, 7 Drawing Sheets



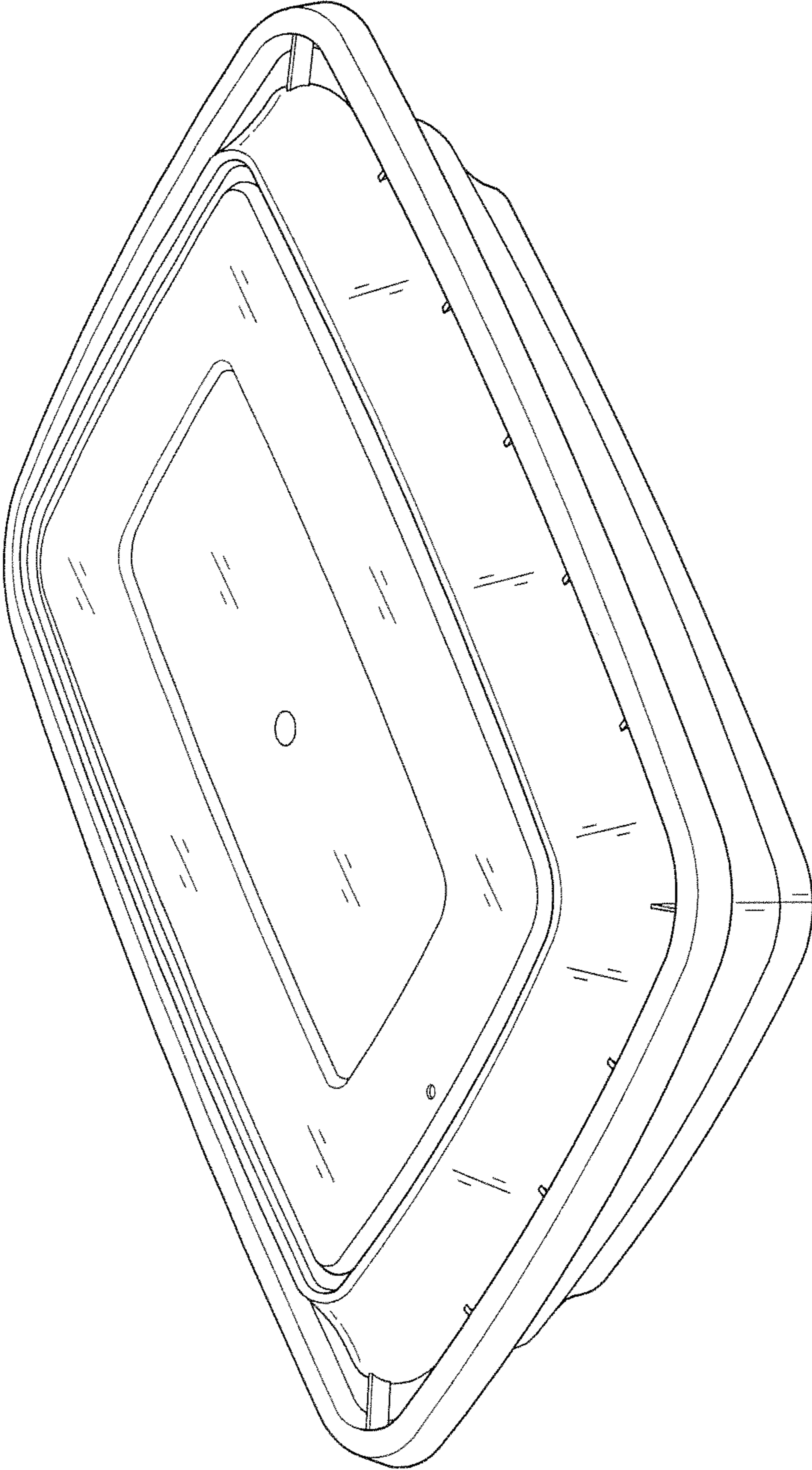


FIG.1

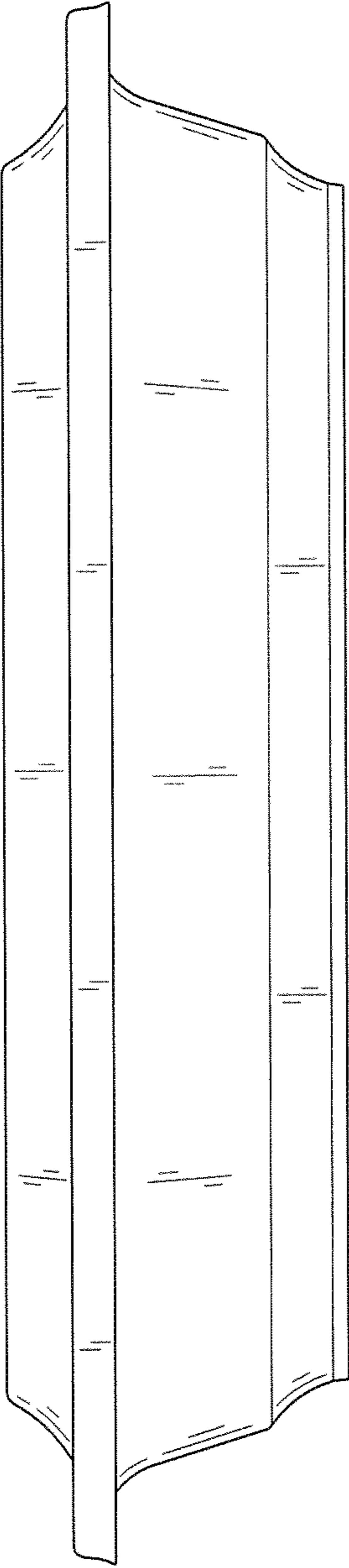


FIG.2

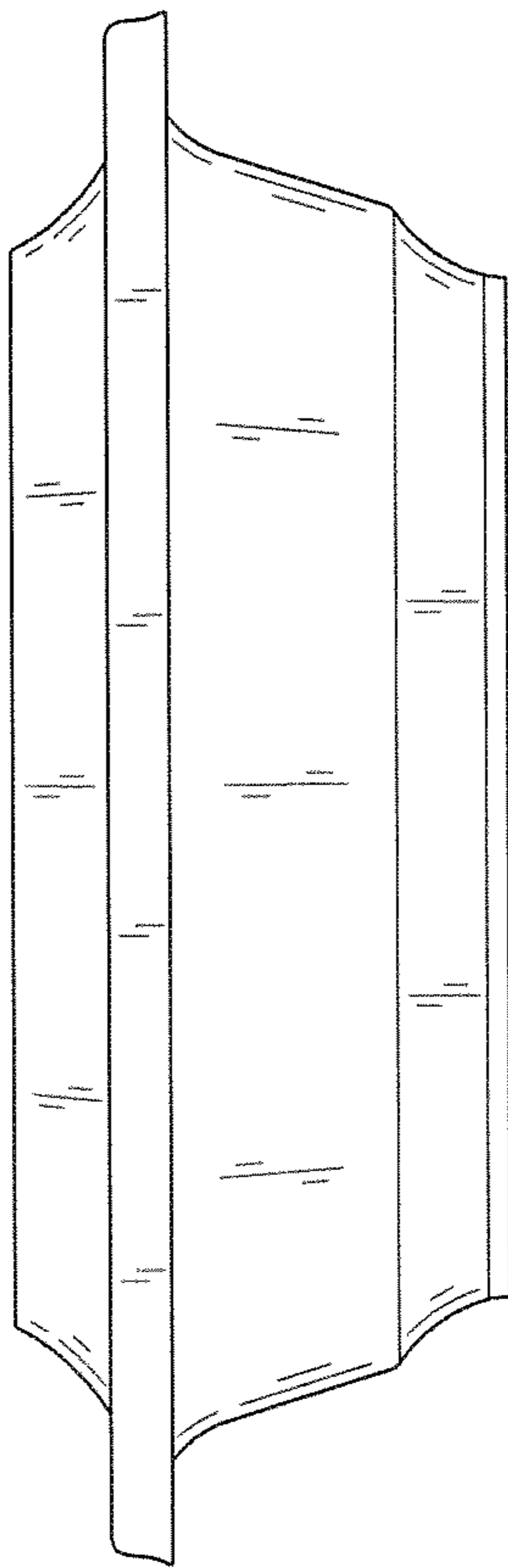


FIG.3

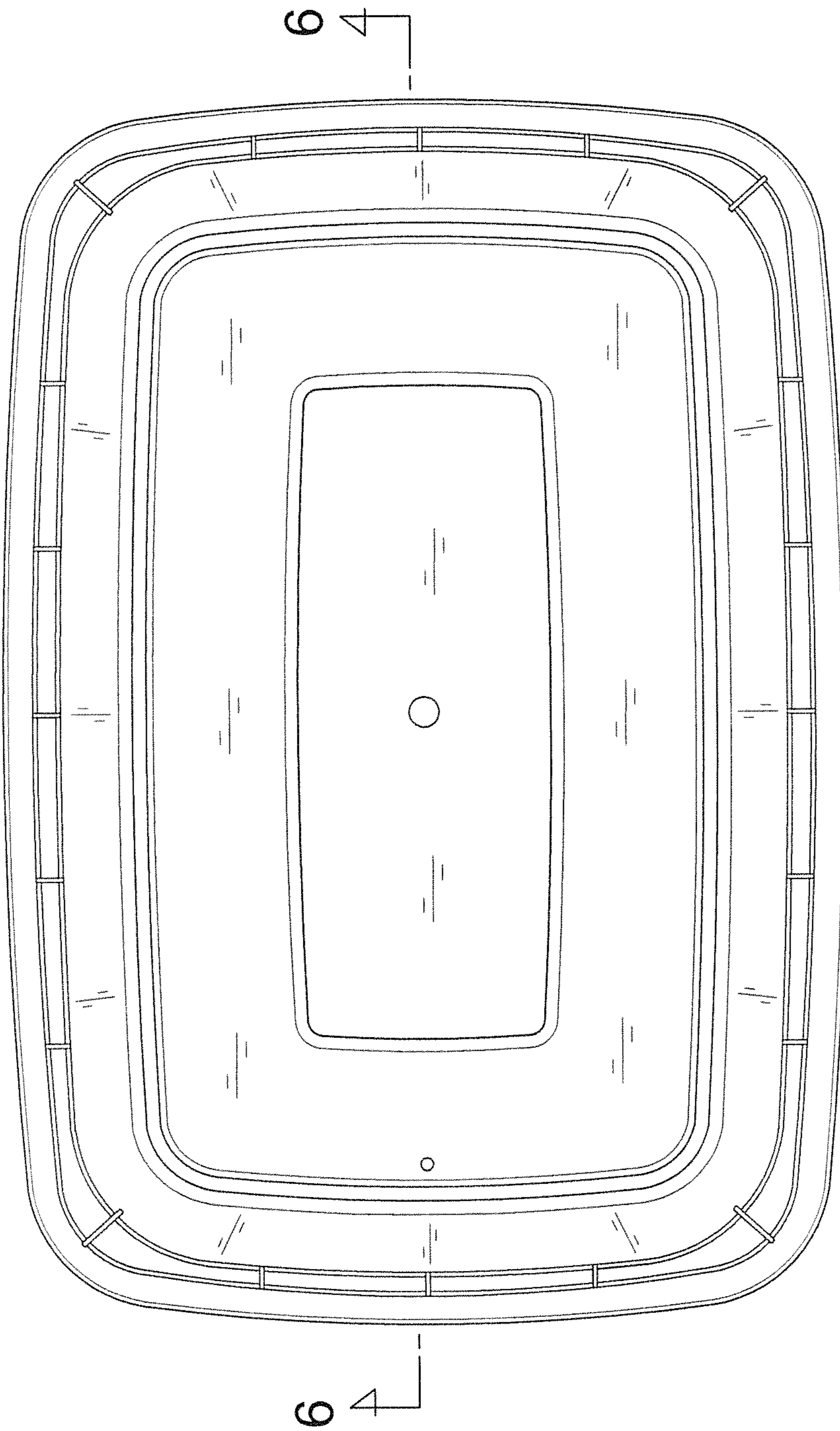


FIG.4

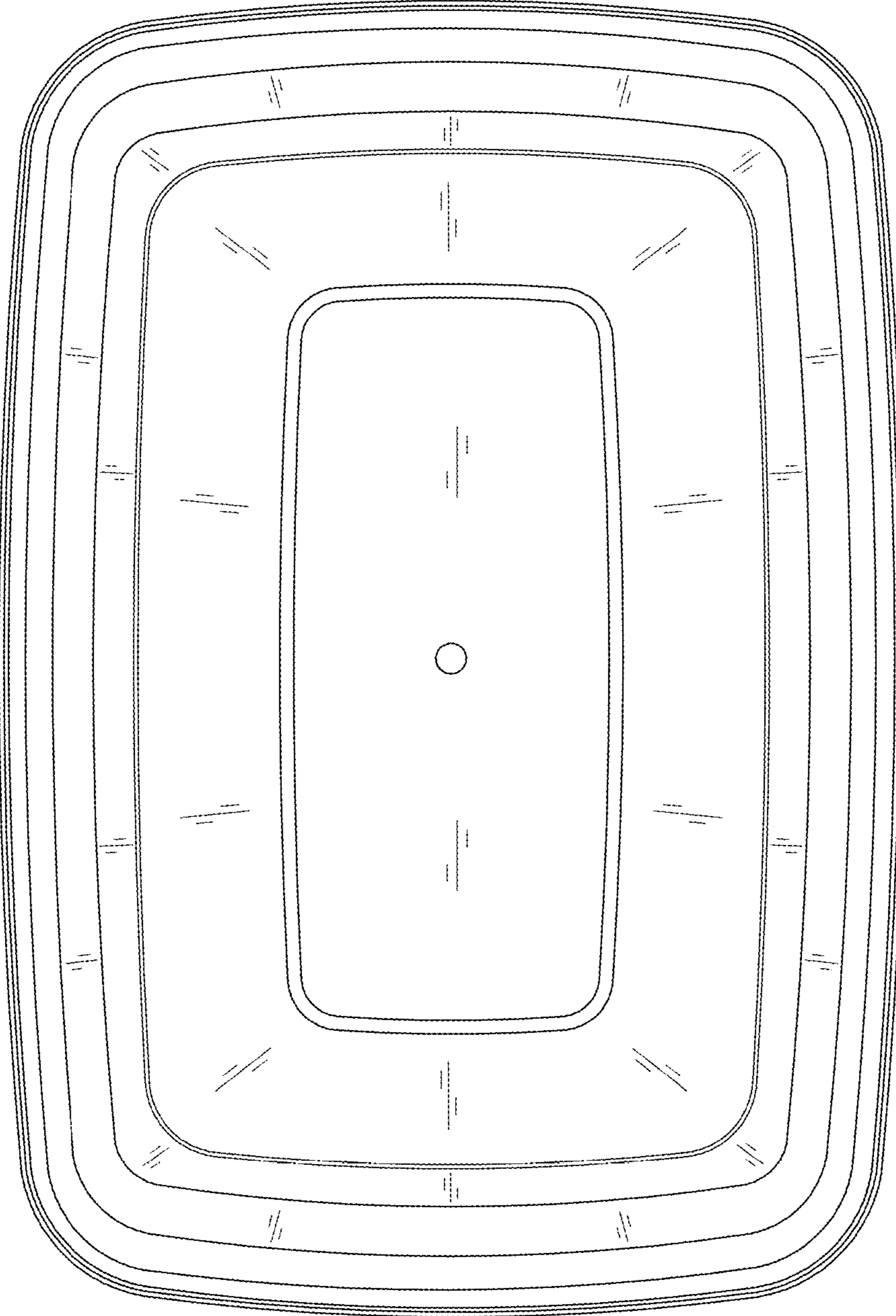


FIG.5

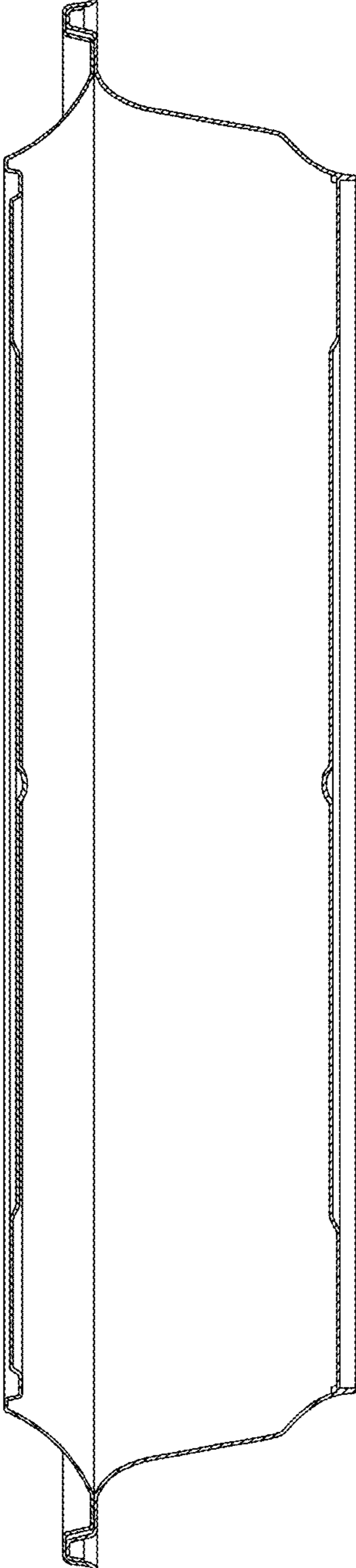


FIG.6

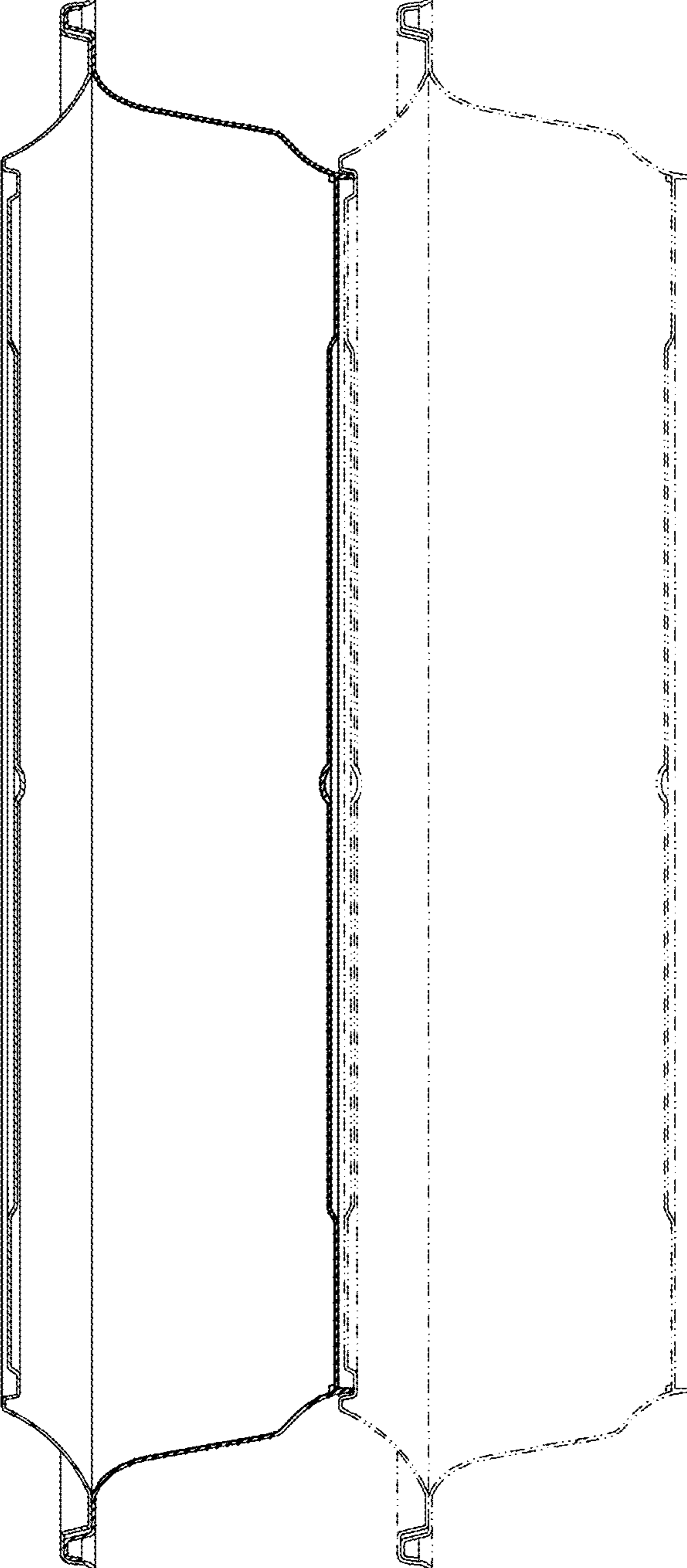


FIG.7