

US00D769112S

(12) **United States Design Patent**  
**Garber**

(10) **Patent No.:** **US D769,112 S**

(45) **Date of Patent:** **\*\* Oct. 18, 2016**

- (54) **SNOW GUARD SUPPORT**
- (71) Applicant: **Amos Garber**, Leesburg, OH (US)
- (72) Inventor: **Amos Garber**, Leesburg, OH (US)
- (\*\*) Term: **15 Years**
- (21) Appl. No.: **29/531,196**
- (22) Filed: **Jun. 24, 2015**
- (51) **LOC (10) Cl.** ..... **08-99**
- (52) **U.S. Cl.**  
USPC ..... **D8/499**
- (58) **Field of Classification Search**  
USPC ..... D8/400, 499; D25/199; 52/24-26, 98,  
52/533, 545, 747.1  
CPC ..... E04D 13/10  
See application file for complete search history.

5,522,185 A	6/1996	Cline	
5,732,513 A	3/1998	Alley	
D418,403 S	1/2000	Cline	
6,499,259 B1	12/2002	Hockman	
D512,303 S *	12/2005	Prichard, Jr.	D8/499
7,127,852 B1	10/2006	Dressler	
7,213,373 B2 *	5/2007	Hockman	E04D 13/10 248/535
7,487,617 B2 *	2/2009	Hockman	E04D 13/10 248/535
7,516,576 B1	4/2009	Mullane	
D610,444 S *	2/2010	Fisher	D8/499
7,774,989 B2	8/2010	Fisher	
D625,176 S *	10/2010	Fisher	D8/499
D658,491 S *	5/2012	Raber	D25/199
D689,763 S *	9/2013	McCarthy	D8/499
D756,213 S *	5/2016	Fisher	D8/499

\* cited by examiner

*Primary Examiner* — Prabhakar Deshmukh  
(74) *Attorney, Agent, or Firm* — R. William Graham

(56) **References Cited**

**U.S. PATENT DOCUMENTS**

507,776 A	10/1893	Berger	
595,295 A	12/1897	Fox	
884,850 A	4/1908	Peter	
933,784 A	9/1909	Peter	
1,095,822 A	5/1914	Danzer	
1,330,309 A	2/1920	Dixson	
2,201,320 A	5/1940	Place	
3,296,750 A *	1/1967	Zaleski	E04D 13/10 52/24
4,141,182 A	2/1979	McMullen	
5,271,194 A	12/1993	Drew	
5,282,340 A	2/1994	Cline	
5,349,791 A *	9/1994	Zaleski	E04D 13/10 52/24
5,371,979 A *	12/1994	Kwiatkowski	E04D 13/10 52/24
D364,338 S	11/1995	Cline	
5,471,799 A *	12/1995	Smeja	E04D 13/10 52/24

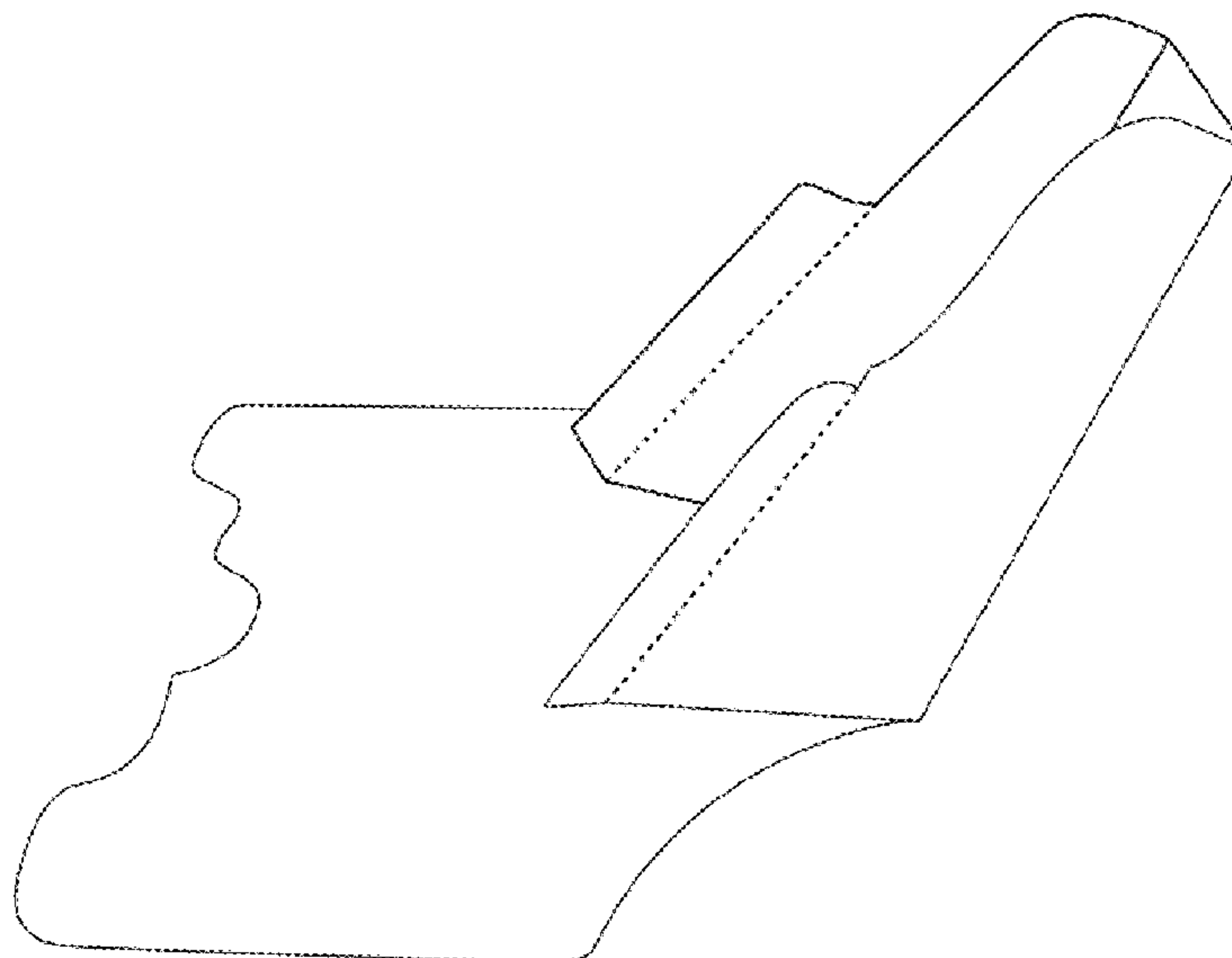
(57) **CLAIM**

The ornamental design for a snow guard support, as shown and described.

**DESCRIPTION**

FIG. 1 is a front view of a snow guard support showing my new design;  
 FIG. 2 is a back view elevation end view of a snow guard support showing my new design;  
 FIG. 3 is a right side elevation end view of a snow guard support showing my new design;  
 FIG. 4 is a left side of a snow guard support showing my new design;  
 FIG. 5 is a right side perspective of a snow guard support showing my new design; and,  
 FIG. 6 is a top view of a snow guard support showing my new design.

**1 Claim, 1 Drawing Sheet**



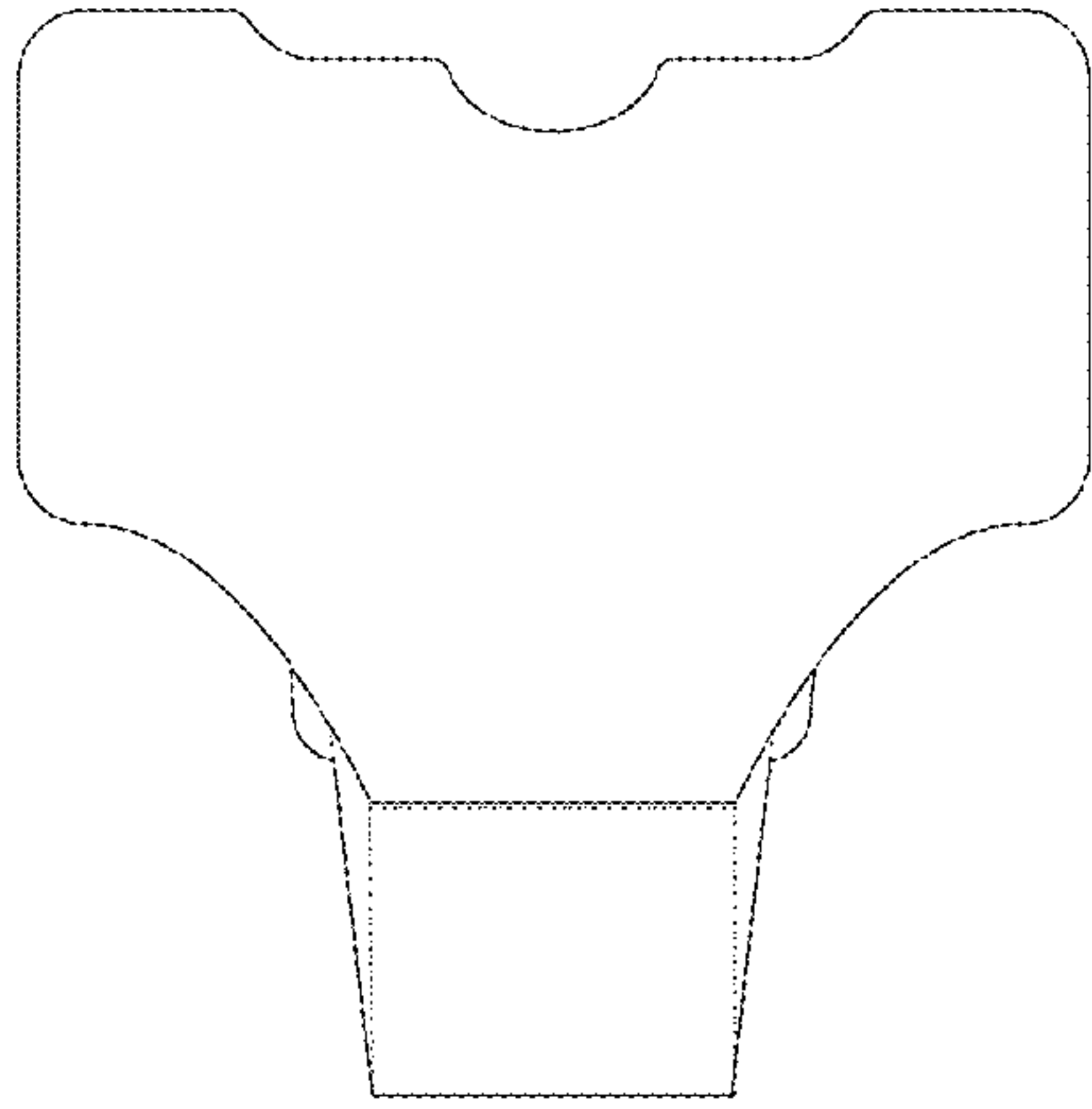


FIG. 1

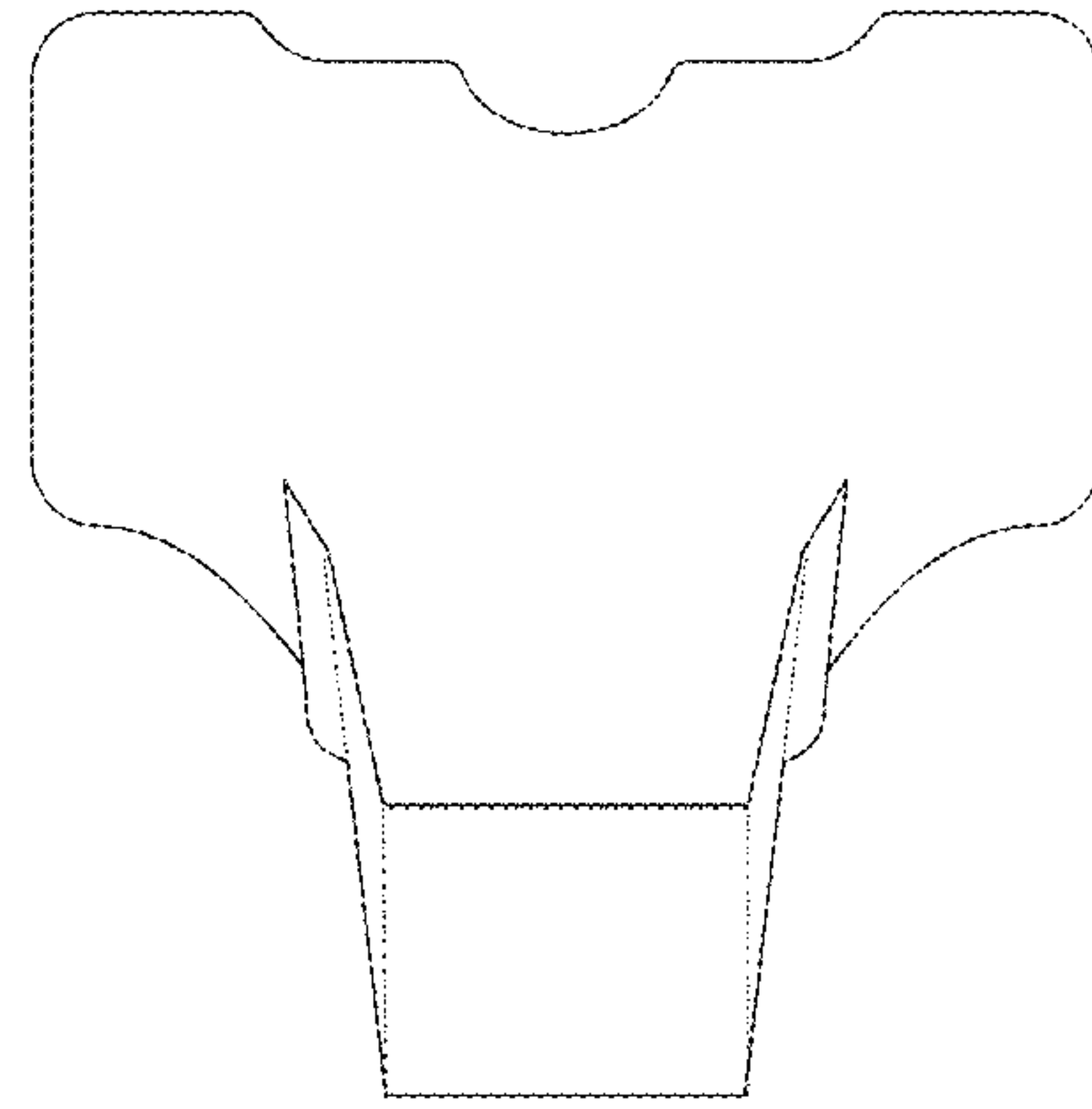


FIG. 2

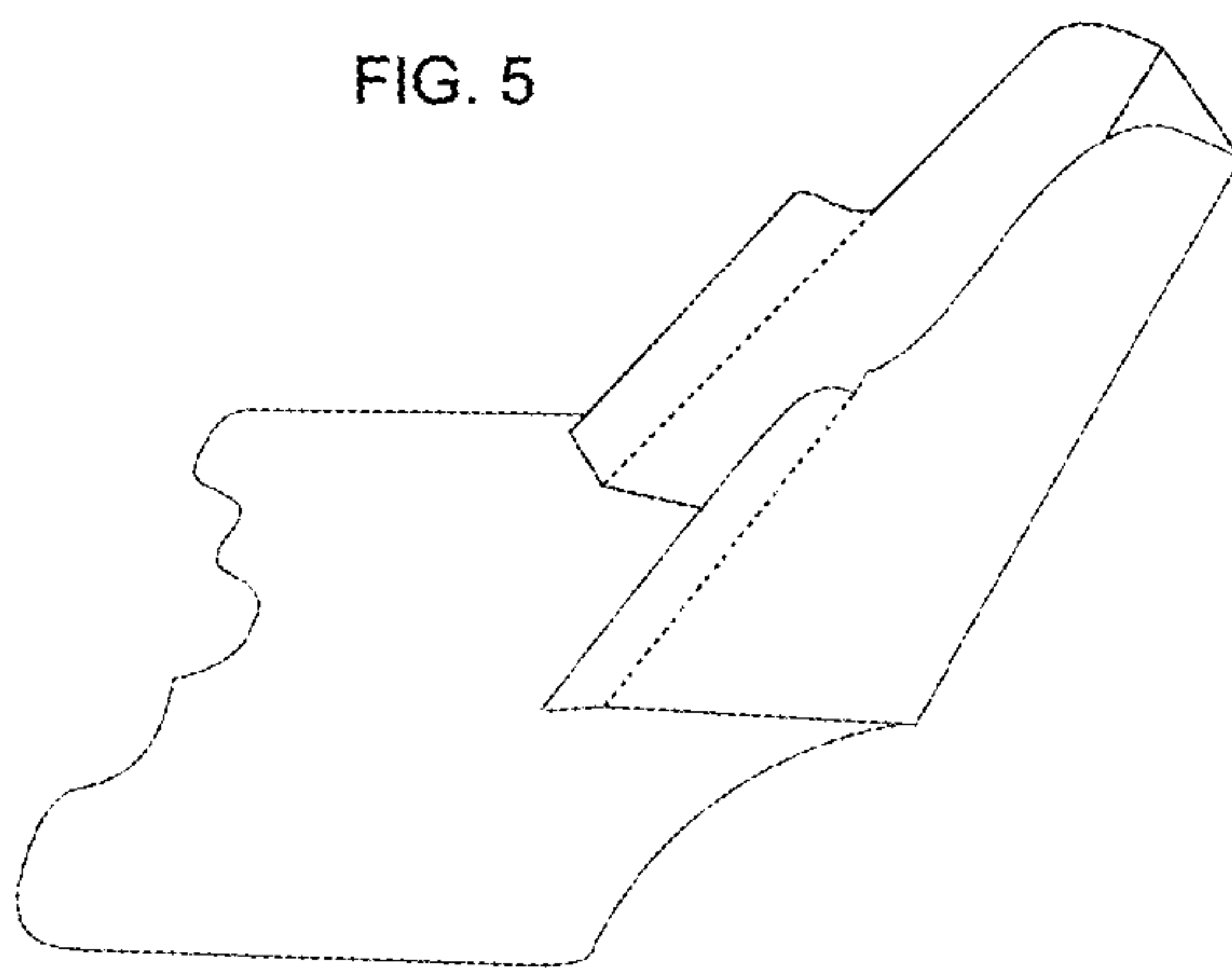


FIG. 5

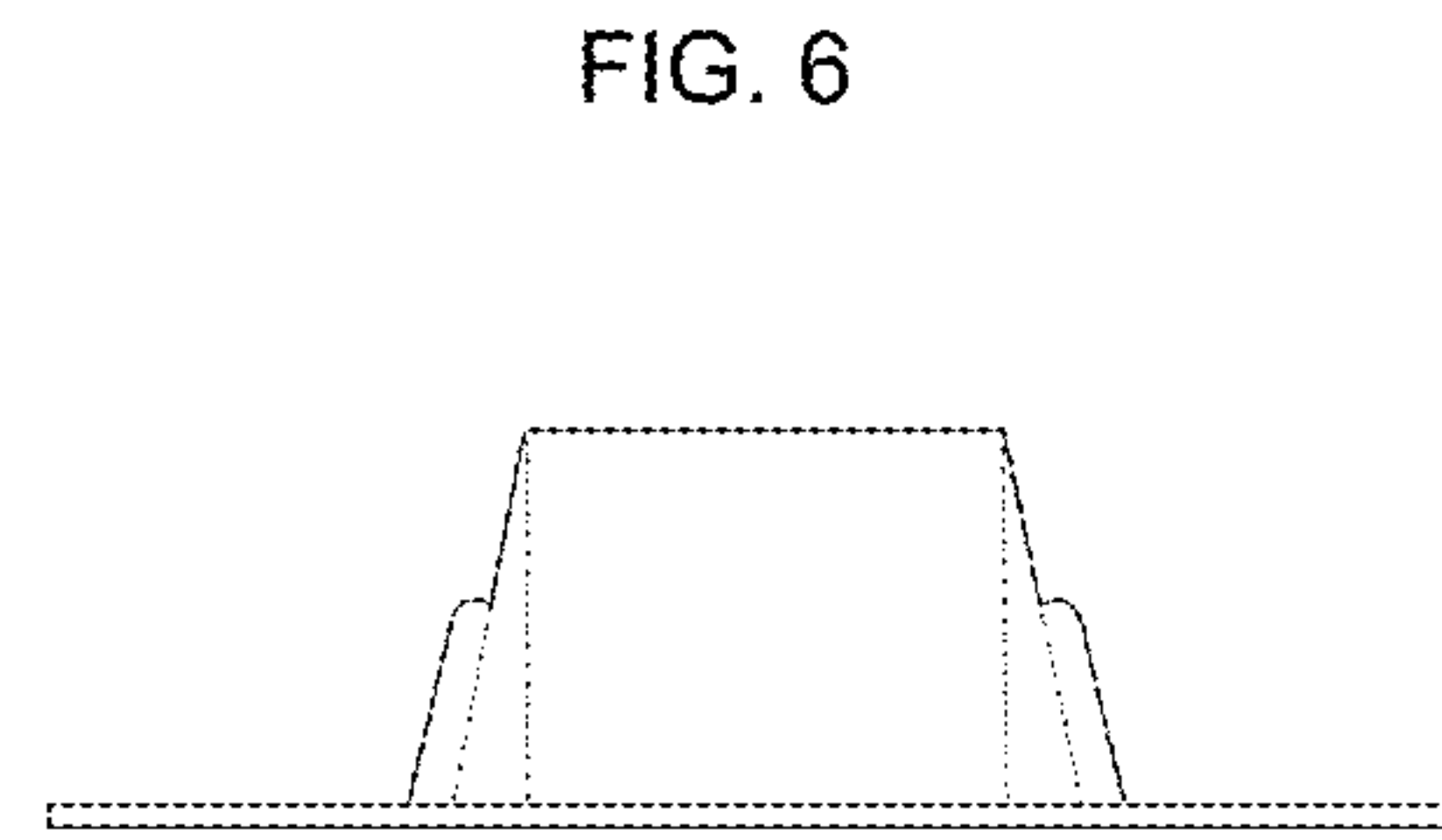


FIG. 6

FIG. 3

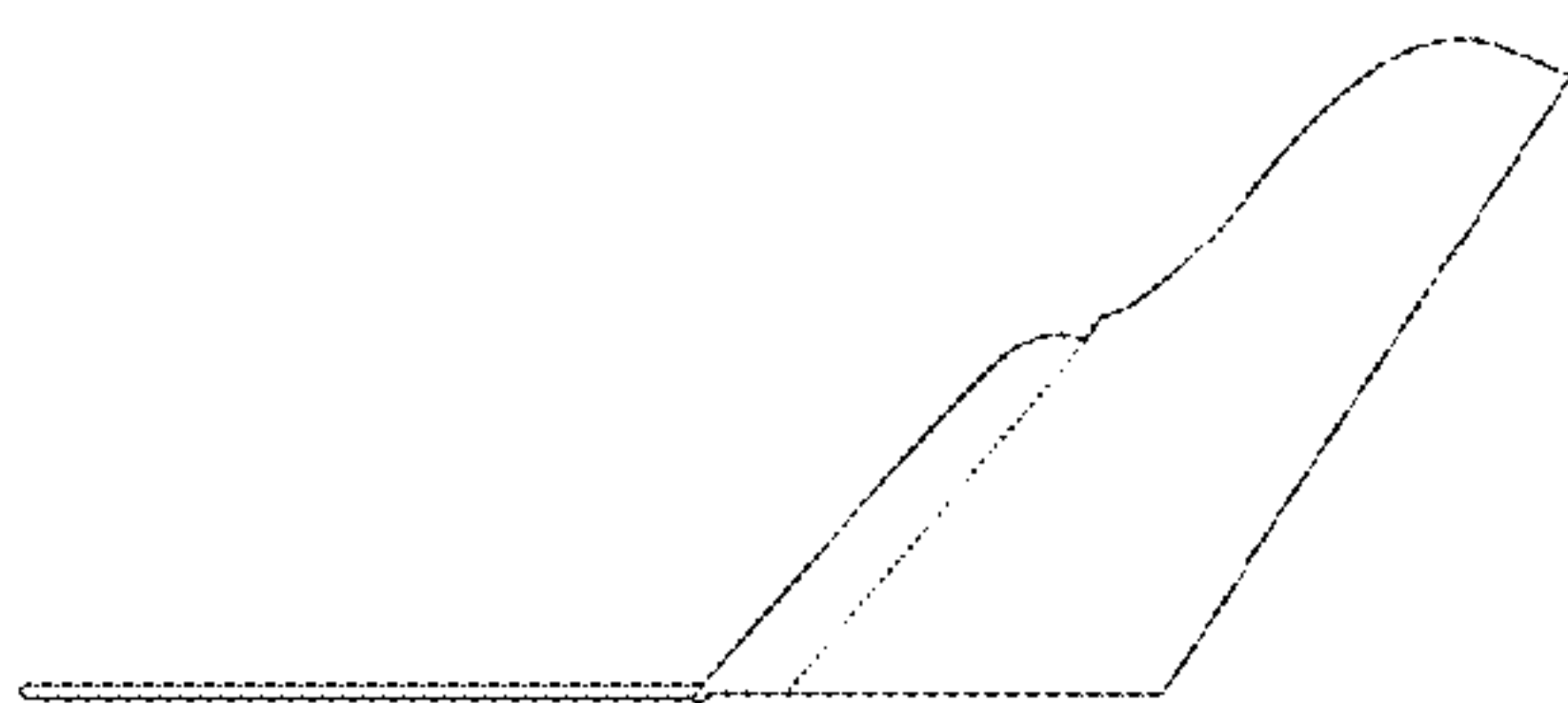


FIG. 4

