

US00D769110S

(12) **United States Design Patent** (10) **Patent No.:** **US D769,110 S**
Altemus (45) **Date of Patent:** **** *Oct. 18, 2016**

(54) **CLAMP FOR SECURING A LADDER TO FASCIA**

D342,877 S 1/1994 Adamic
D399,398 S 10/1998 Neyton
5,902,015 A * 5/1999 Allcock B25B 7/123
297/250.1

(71) Applicant: **Armin Joseph Altemus**, Riverside, CA (US)

6,019,352 A 2/2000 Mayer
D571,631 S * 6/2008 Gandy, III D8/52

(72) Inventor: **Armin Joseph Altemus**, Riverside, CA (US)

(Continued)

(*) Notice: This patent is subject to a terminal disclaimer.

CN 3681451 * 8/2007
FR 081129-001 * 6/2008

(**) Term: **14 Years**

FOREIGN PATENT DOCUMENTS

(21) Appl. No.: **29/520,066**

(22) Filed: **Mar. 10, 2015**

(51) **LOC (10) Cl.** **08-08**

(52) **U.S. Cl.**
USPC **D8/394**

(58) **Field of Classification Search**
USPC D8/394-396, 71-74, 499, 354-355
CPC H01R 43/01; B25B 7/02; B25B 5/12;
B26B 7/123; A01D 90/00
See application file for complete search history.

OTHER PUBLICATIONS

C.R.Laurence CRL 8" Flat Jaw Vise Grip Sheet Metal Working Pliers, online, website copyright 2016, <http://www.sears.com/c-r-laurence-crl-8inch-flat-jaw-vise-grip-sheet/p-SPM5839407103>, site visited Jan. 4, 2016.*

(Continued)

Primary Examiner — John Windmuller
Assistant Examiner — John R Yeh
(74) *Attorney, Agent, or Firm* — Kirk A. Buhler;
Buhler & Associates

(56) **References Cited**

(57) **CLAIM**

U.S. PATENT DOCUMENTS

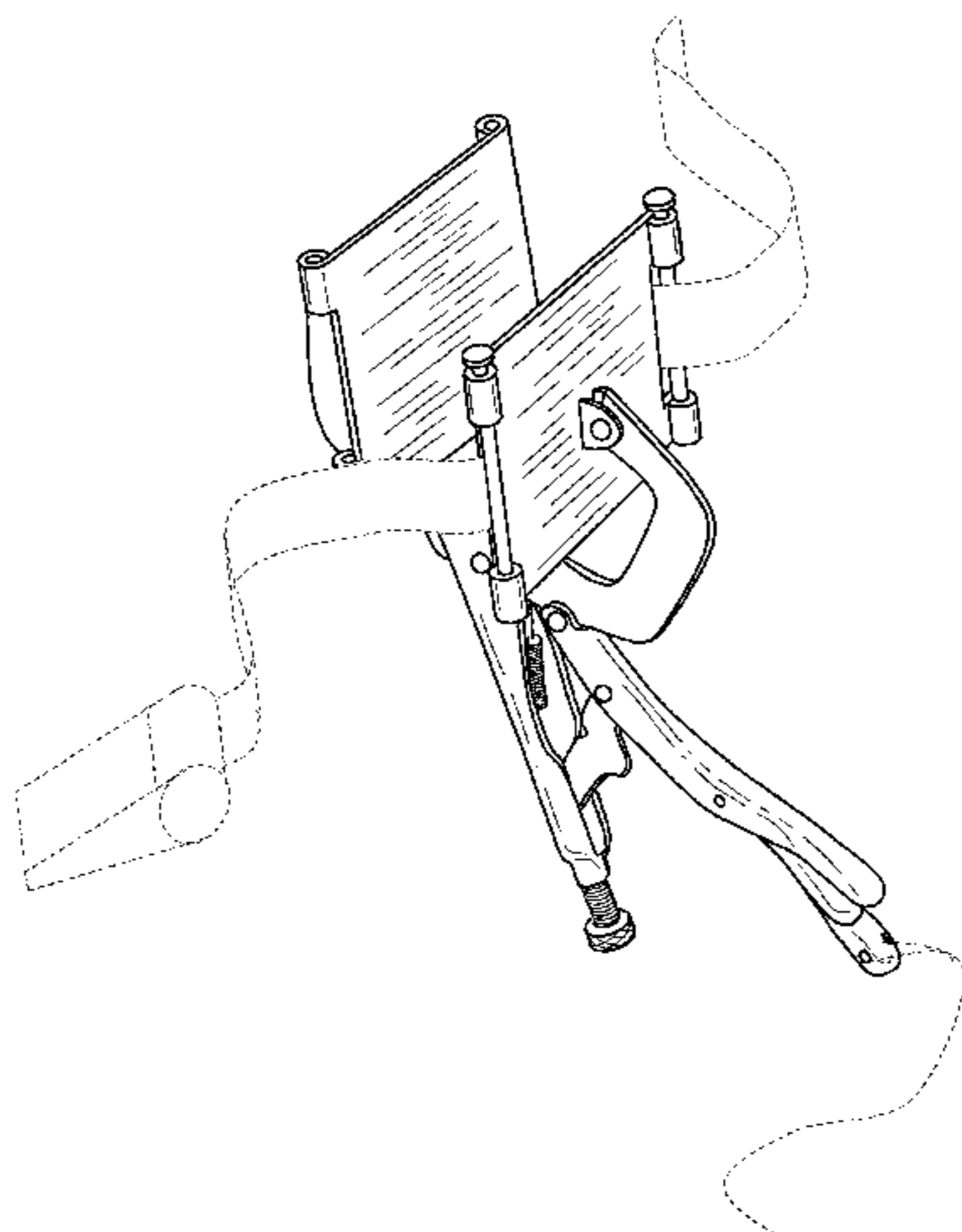
The ornamental design for a clamp for securing a ladder to a fascia, as shown and described.

- 2,641,149 A * 6/1953 Petersen B25B 7/02
269/228
- D215,079 S 9/1969 Heater
- 3,606,806 A 9/1971 Patrick
- D250,451 S 12/1978 Chartier et al.
- D256,091 S * 7/1980 Fernandes 125/11.01
- D260,476 S 9/1981 Knaus
- 4,386,461 A * 6/1983 Plummer H01R 43/01
29/749
- 4,386,542 A * 6/1983 Verna B25B 7/02
81/420
- 4,546,680 A 10/1985 Petersen
- D297,103 S * 8/1988 Parish, Sr. D8/52
- 4,889,022 A 12/1989 Peviani
- 5,143,359 A * 9/1992 Bush B25B 5/163
269/261
- D334,271 S * 3/1993 Ellis D8/70
- D335,249 S * 5/1993 Hopkins D8/52

DESCRIPTION

FIG. 1 is a top perspective view for a clamp for securing a ladder to a fascia showing my new design;
FIG. 2 is a left side view thereof;
FIG. 3 is a right side view thereof;
FIG. 4 is a rear side view thereof;
FIG. 6 is a front side view thereof;
FIG. 7 is a bottom side view thereof; and,
FIG. 8 is a bottom perspective view shown in an environment of use.
The broken lines in FIG. 8 depict environmental subject matter only and form no part of the claimed design.

1 Claim, 6 Drawing Sheets



(56)

References Cited

U.S. PATENT DOCUMENTS

D605,917 S * 12/2009 Sands D22/150
7,942,392 B2 * 5/2011 Geier B25B 5/068
269/166
8,286,954 B2 * 10/2012 Zheng B25B 5/06
269/188
8,677,867 B2 * 3/2014 Fachorn B25B 7/00
81/319
D718,107 S 11/2014 Bascom
9,016,102 B2 * 4/2015 Harvey B25B 7/02
72/409.01
2002/0088668 A1 * 7/2002 Moore E06C 7/48
182/107
2003/0005798 A1 * 1/2003 Kuchar B25B 7/02
81/426
2004/0075205 A1 * 4/2004 Marks B25B 5/067
269/6
2006/0025863 A1 * 2/2006 Lamprich A61F 2/442
623/17.16

2006/0060037 A1 * 3/2006 Haggerty B25B 5/147
81/462
2006/0248990 A1 * 11/2006 Bertholf A62B 99/00
81/367
2008/0277855 A1 * 11/2008 Tyler B25B 5/12
269/239
2009/0158561 A1 * 6/2009 Reynolds E04G 21/1816
24/457
2011/0227268 A1 * 9/2011 Zheng B25B 5/06
269/188

OTHER PUBLICATIONS

TP Tools® Sheet Metal Locking Pliers—TP Tools & Equipment,
online, website copyright 2016, http://www.tptools.com/TP-Tools-Sheet-Metal-Locking-Pliers,7817.html?b=d*12567, site visited Jan.
4, 2016.*

* cited by examiner

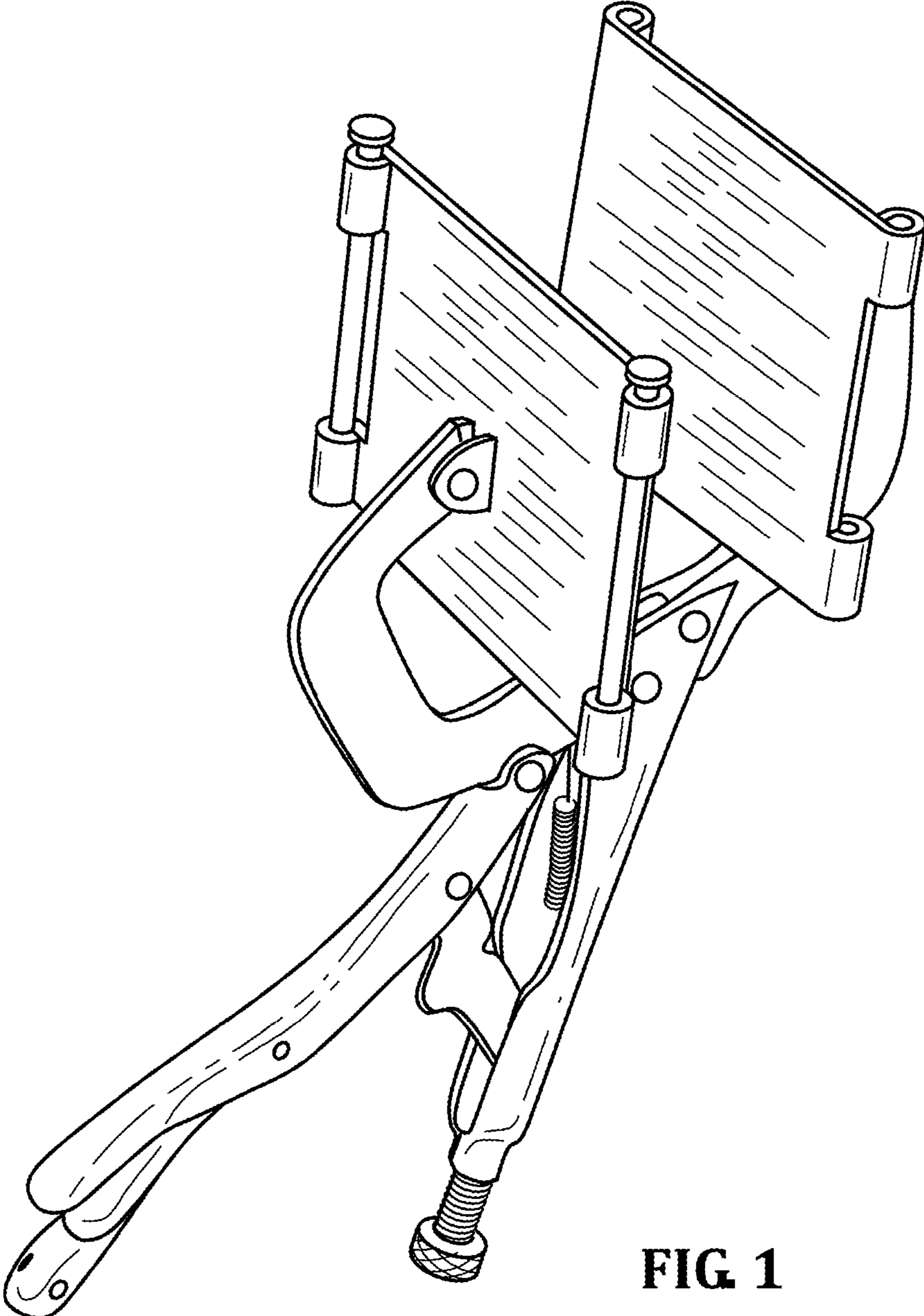


FIG 1

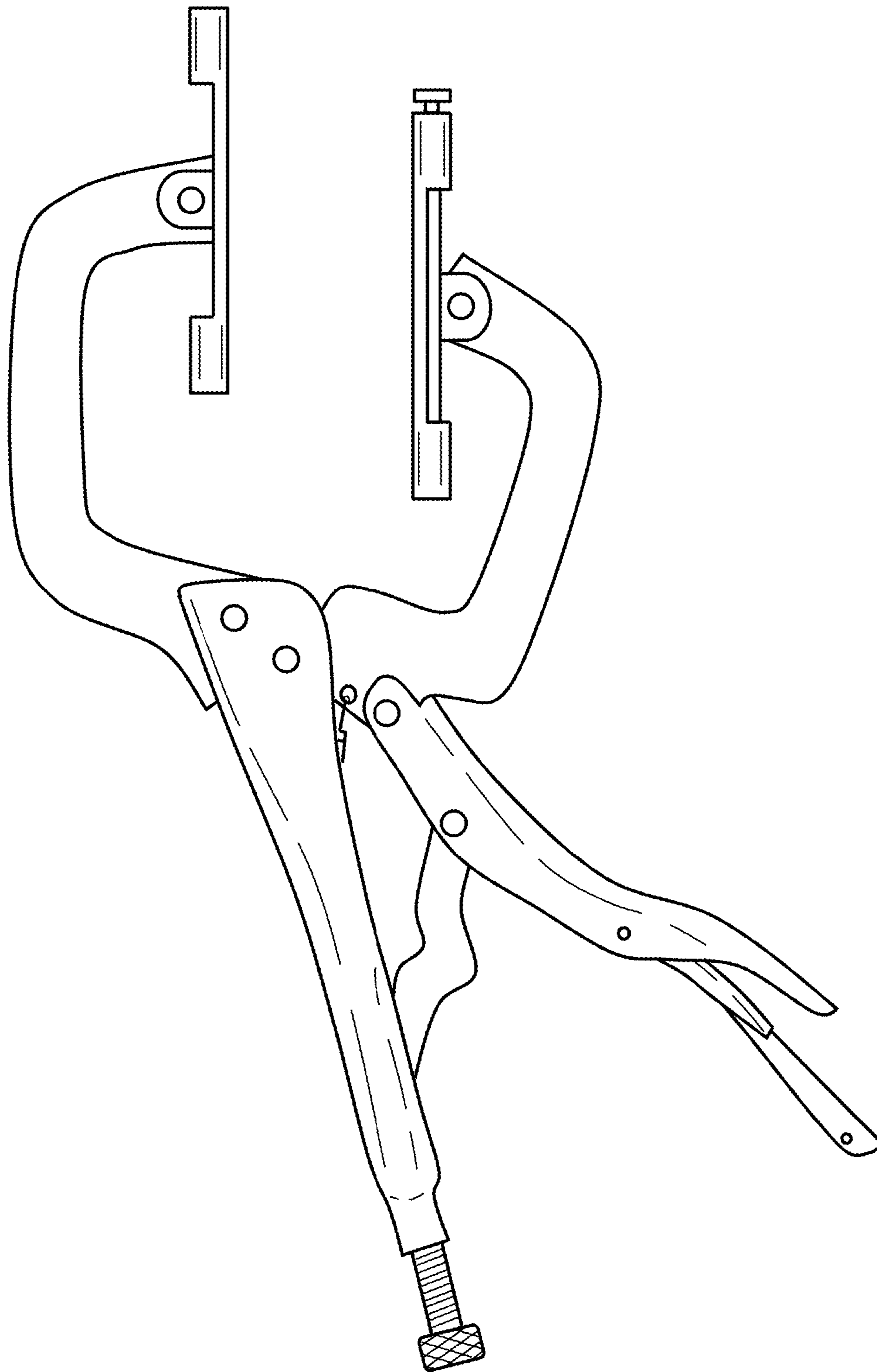


FIG. 2

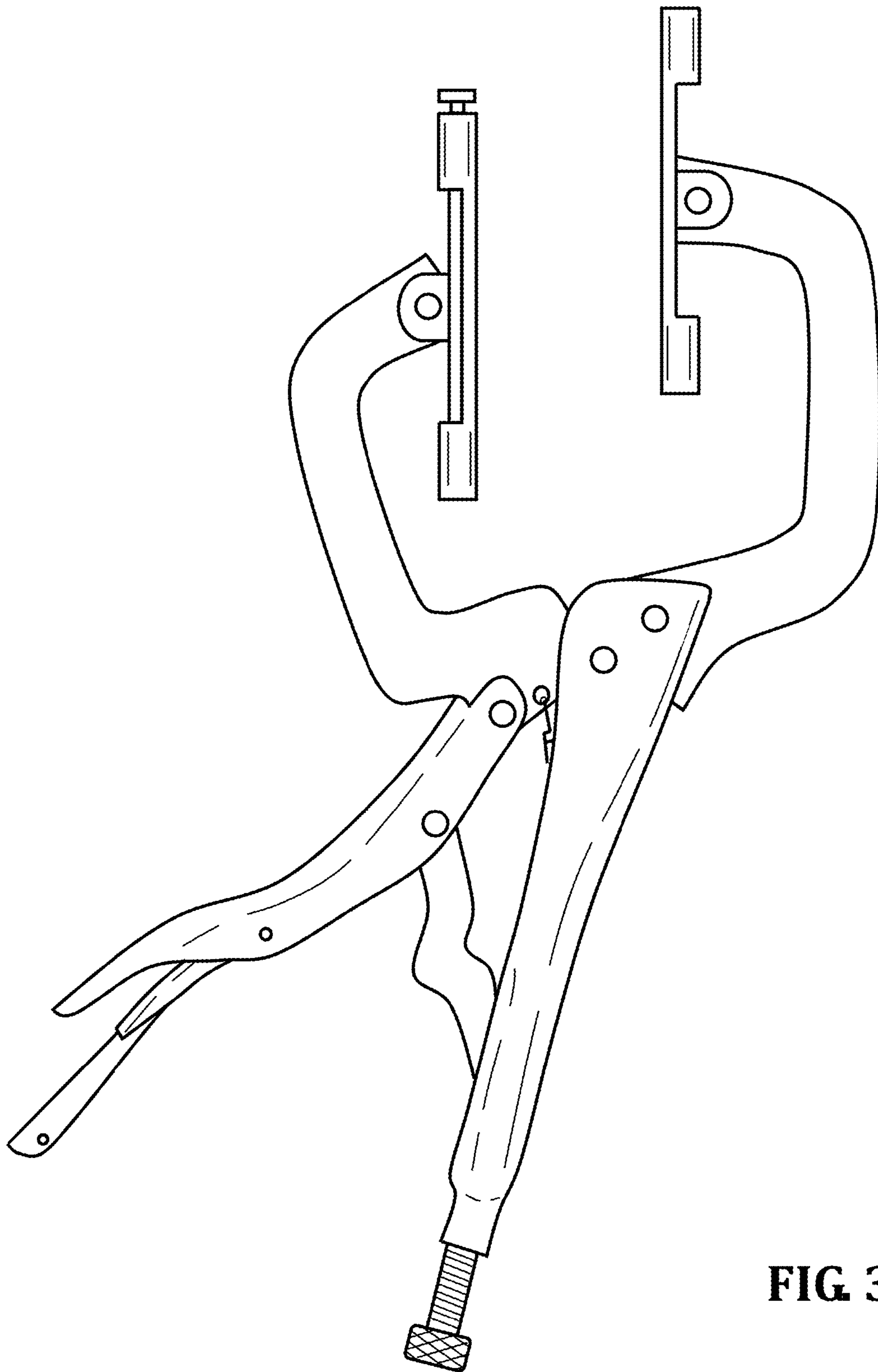


FIG. 3

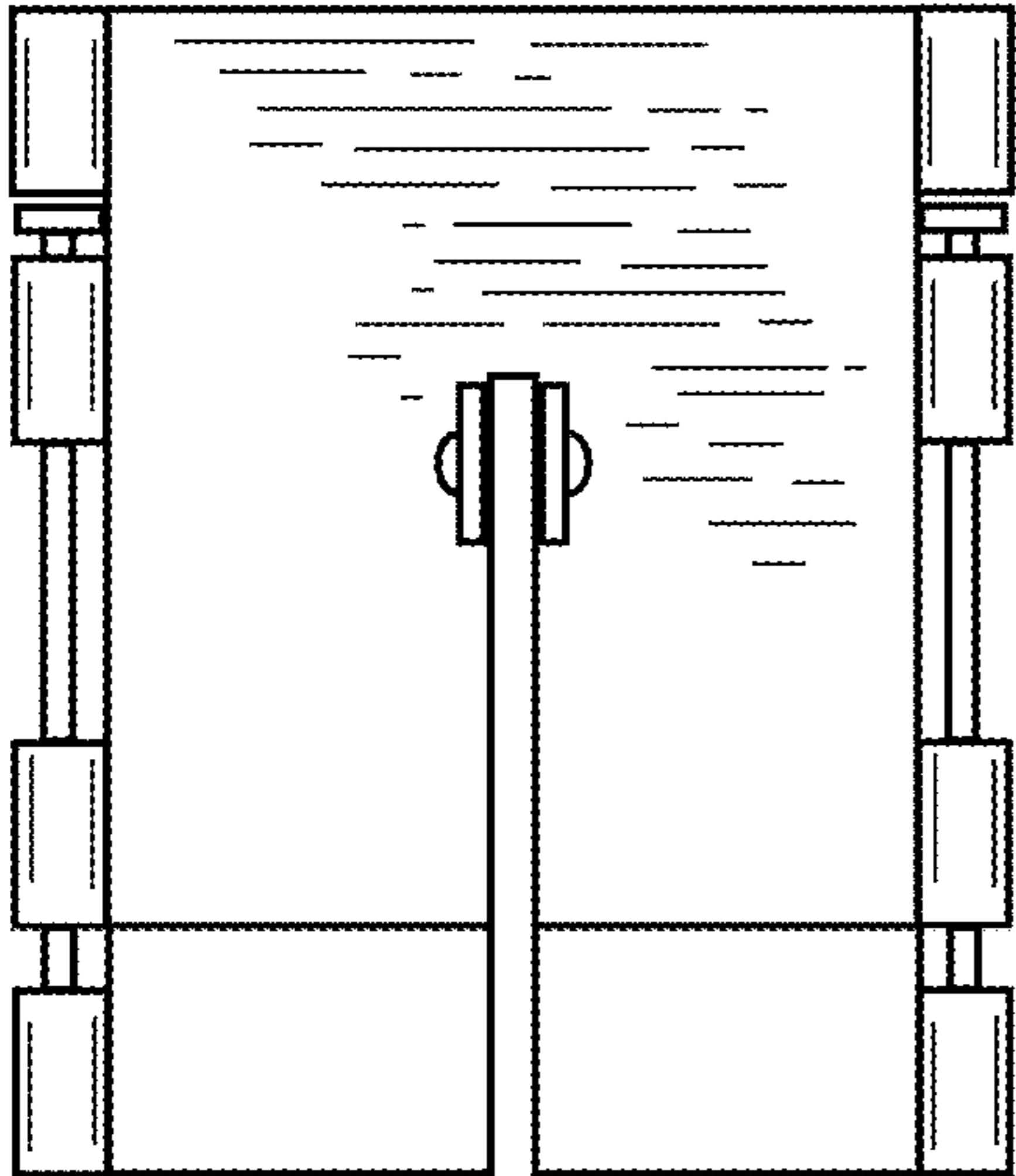


FIG 4

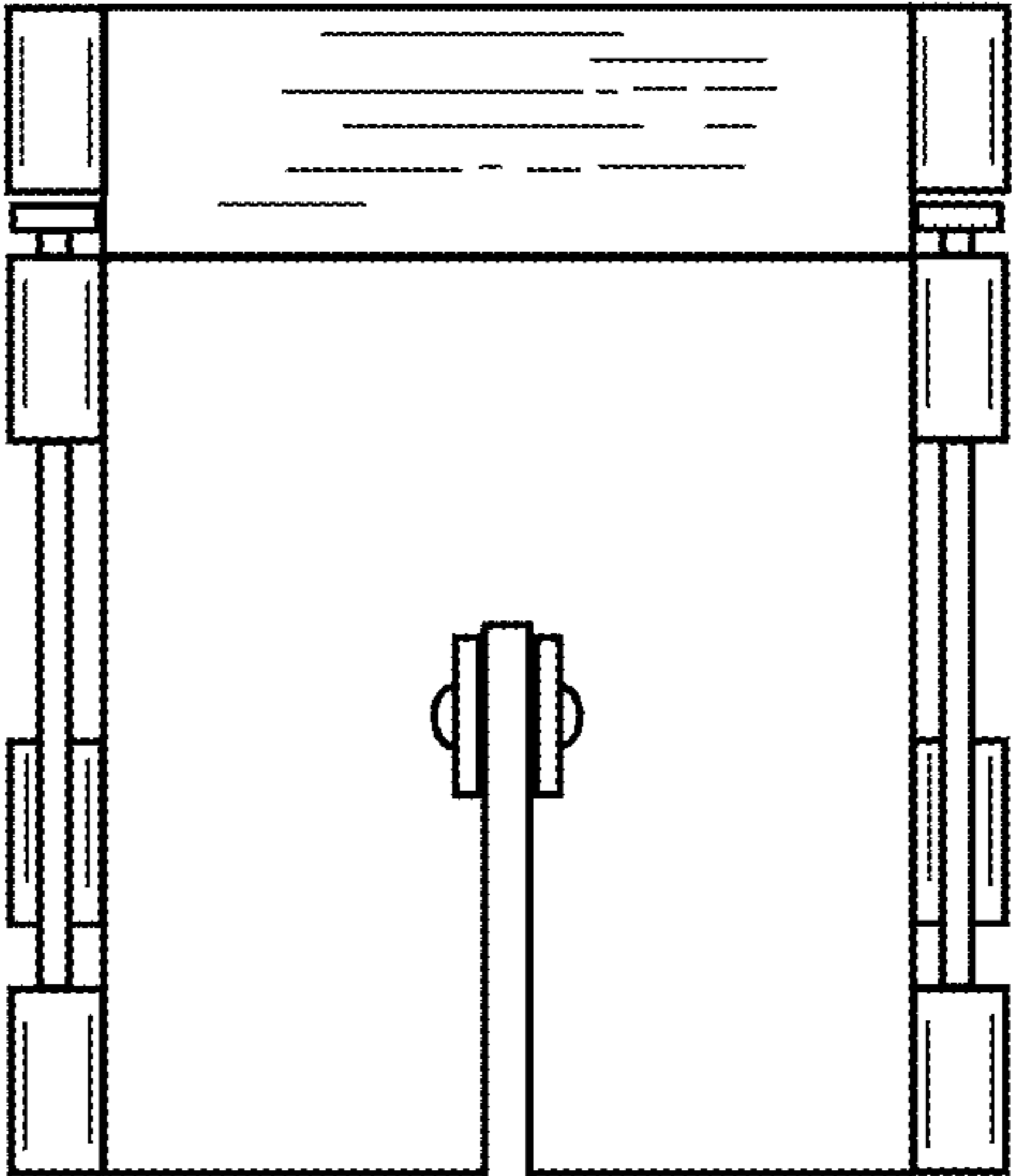


FIG 5

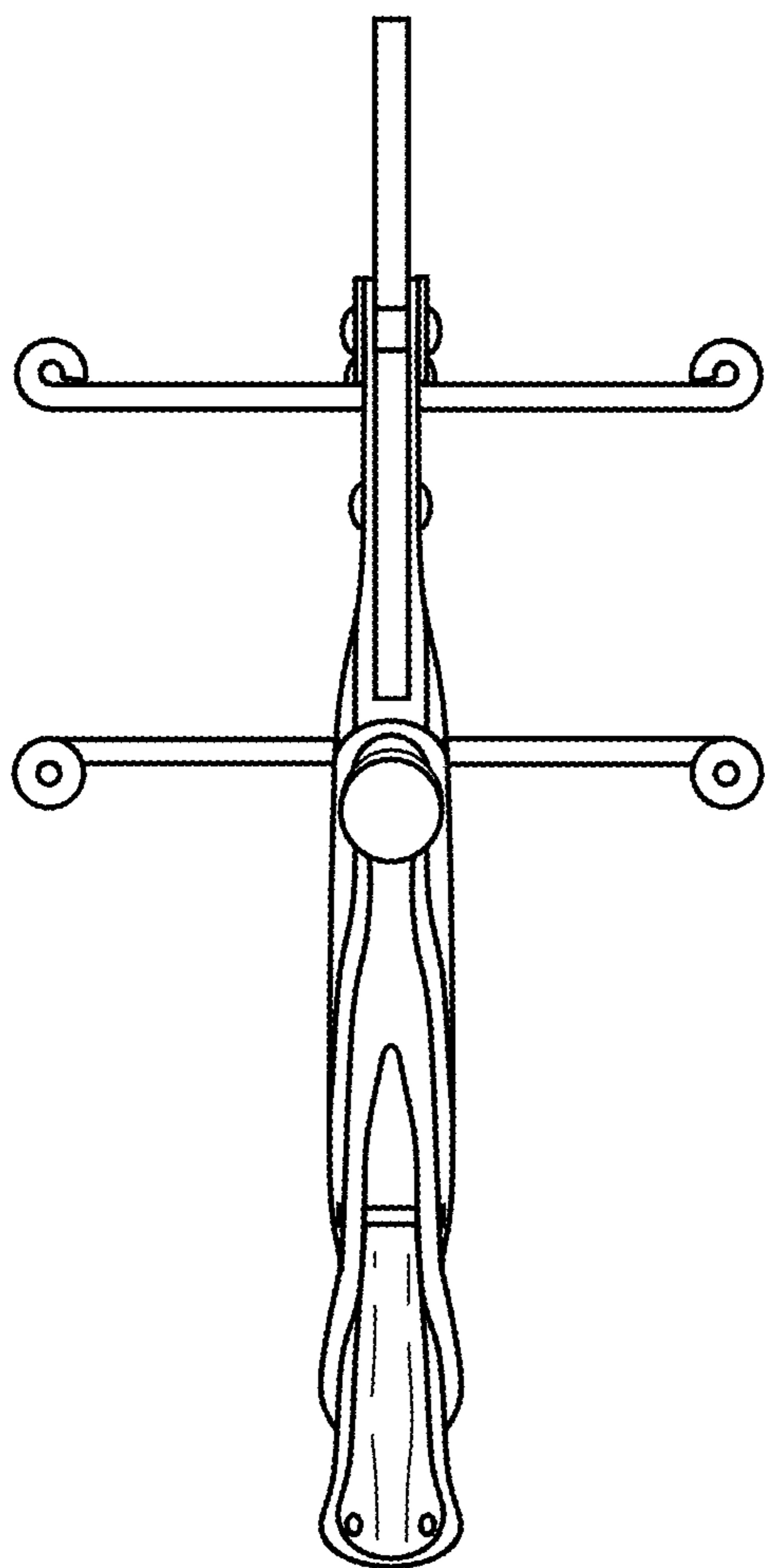


FIG 6

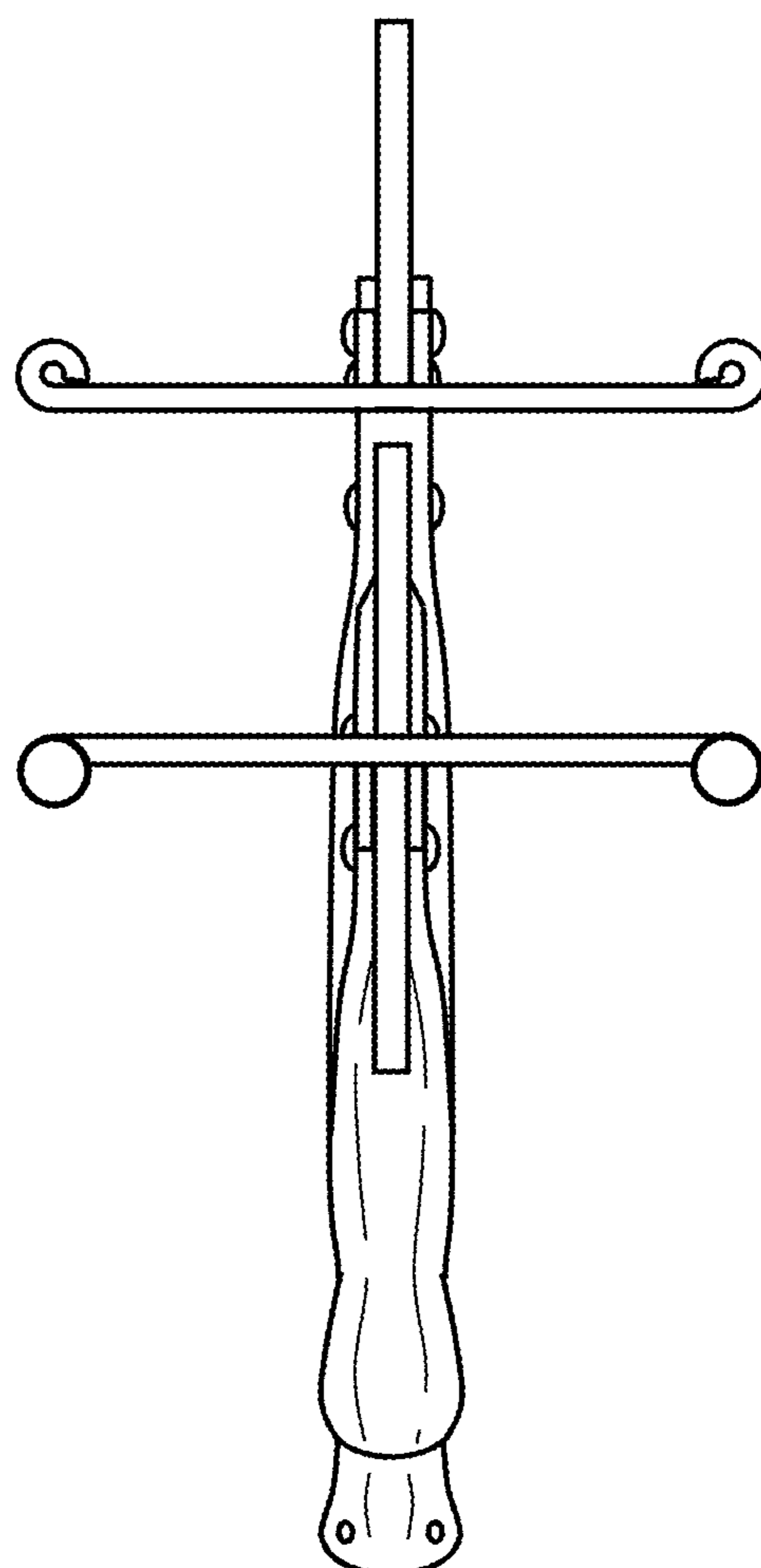


FIG 7

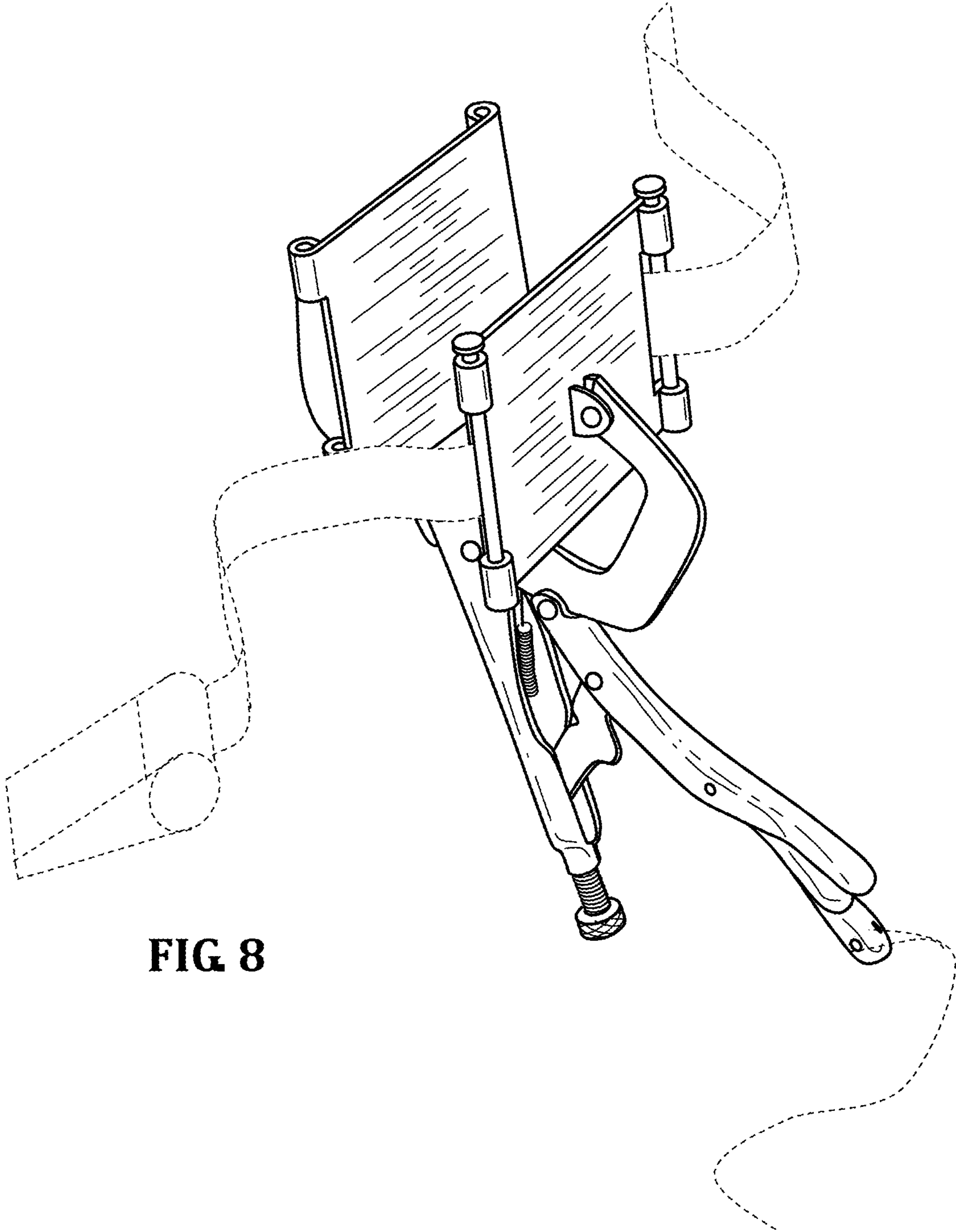


FIG 8