



US00D769109S

(12) **United States Design Patent**  
**Kaiser**

(10) **Patent No.:** **US D769,109 S**

(45) **Date of Patent:** **\*\* Oct. 18, 2016**

(54) **FASTENER**

(71) Applicant: **Erik A. Kaiser**, Mendham, NJ (US)

(72) Inventor: **Erik A. Kaiser**, Mendham, NJ (US)

(\*\*) Term: **14 Years**

(21) Appl. No.: **29/522,949**

(22) Filed: **Apr. 5, 2015**

(51) **LOC (10) Cl.** ..... **08-08**

(52) **U.S. Cl.**  
USPC ..... **D8/382**

(58) **Field of Classification Search**  
USPC ..... D8/349, 354, 373, 382, 394, 499;  
D6/300, 301, 320, 323, 325, 326, 328,  
D6/553; D20/42, 43, 99  
CPC ..... A47G 1/0611; A47G 1/0638; A47G  
2001/0677; A47G 2001/0694; A47G 1/16;  
A47G 1/1606; A47G 1/1613; A47G 1/1633;  
A47G 1/1686; A47G 1/21; A47G 1/215;  
A47G 29/00; A47G 1/0605; G03B 17/00;  
G03B 17/56  
See application file for complete search history.

5,195,708 A \* 3/1993 Marsh ..... A47B 96/068  
108/108  
D368,651 S \* 4/1996 Daniel ..... D8/394  
D371,505 S \* 7/1996 Young ..... D8/349  
D395,001 S \* 6/1998 Stebbins ..... D8/394  
6,666,153 B2 \* 12/2003 Dickinson ..... A47B 96/06  
108/108  
D603,173 S \* 11/2009 Samhammer ..... D6/323  
D615,847 S \* 5/2010 Tezak ..... D8/349  
D622,131 S \* 8/2010 Tezak ..... D8/349  
D656,175 S \* 3/2012 Fong ..... D16/242  
D707,456 S \* 6/2014 Farias, Jr. .... D6/323  
D718,609 S \* 12/2014 O'Neill ..... D8/349  
D749,329 S \* 2/2016 Kaiser ..... D6/300

\* cited by examiner

*Primary Examiner* — Sheryl Lane

*Assistant Examiner* — Ieisha Price

(74) *Attorney, Agent, or Firm* — Steven N. Fox, Esq.

(57) **CLAIM**

The ornamental design for a fastener, as shown and described.

**DESCRIPTION**

FIG. 1 is a front perspective view of a fastener according to the present invention;  
FIG. 2 is a top view thereof;  
FIG. 3 is a front view thereof;  
FIG. 4 is a bottom view thereof;  
FIG. 5 is a right side view thereof;  
FIG. 6 is a rear view thereof; and,  
FIG. 7 is a left side view thereof.  
The broken lines in the drawings illustrate portions of the fastener and form no part of the claimed design.

**1 Claim, 2 Drawing Sheets**

(56) **References Cited**

**U.S. PATENT DOCUMENTS**

D27,311 S \* 7/1897 Brickley ..... 211/96  
D257,810 S \* 1/1981 Wilson ..... D6/556  
D258,638 S \* 3/1981 Yim ..... D8/394  
D283,872 S \* 5/1986 Clendinen ..... D8/382  
4,856,746 A \* 8/1989 Wrobel ..... A47B 96/068  
108/107  
D315,093 S \* 3/1991 Hanna ..... D8/349

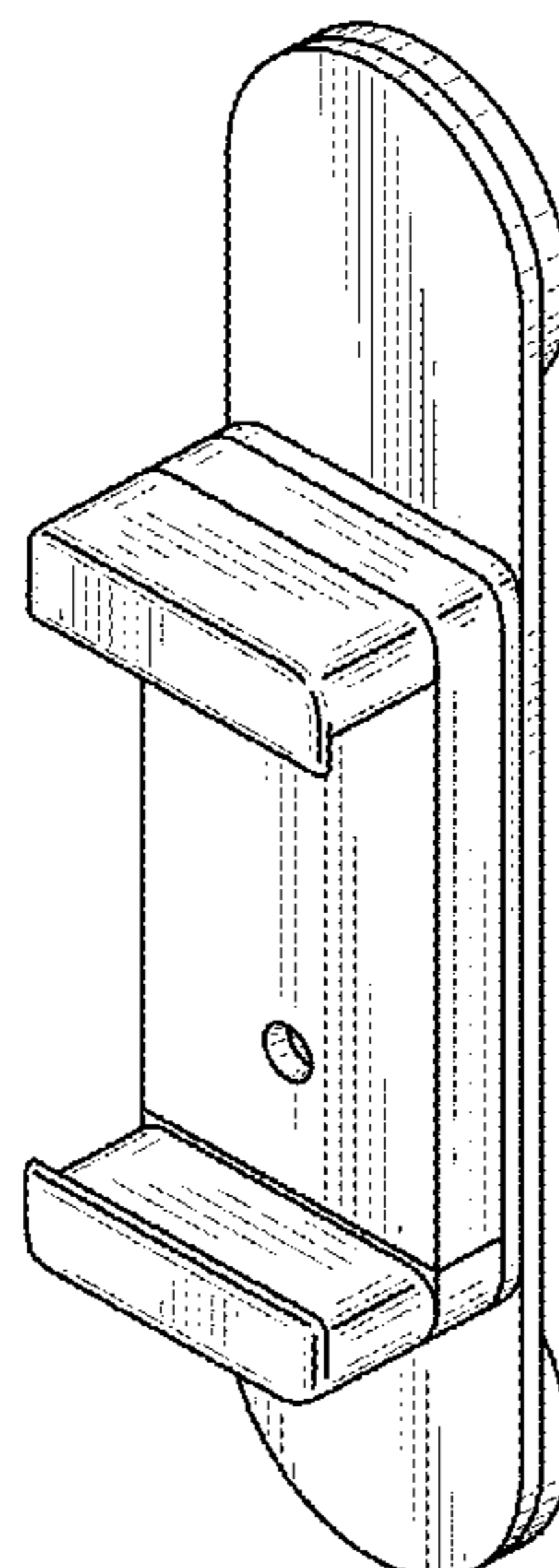


FIG. 1

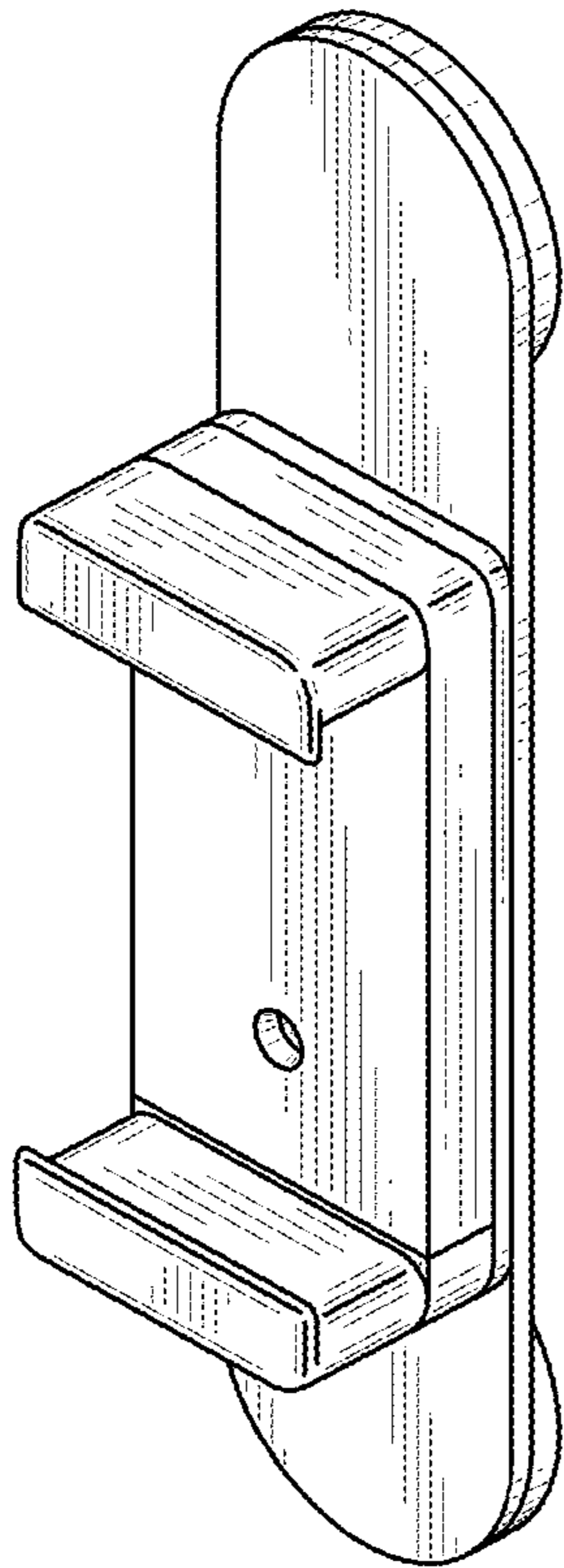


FIG. 2

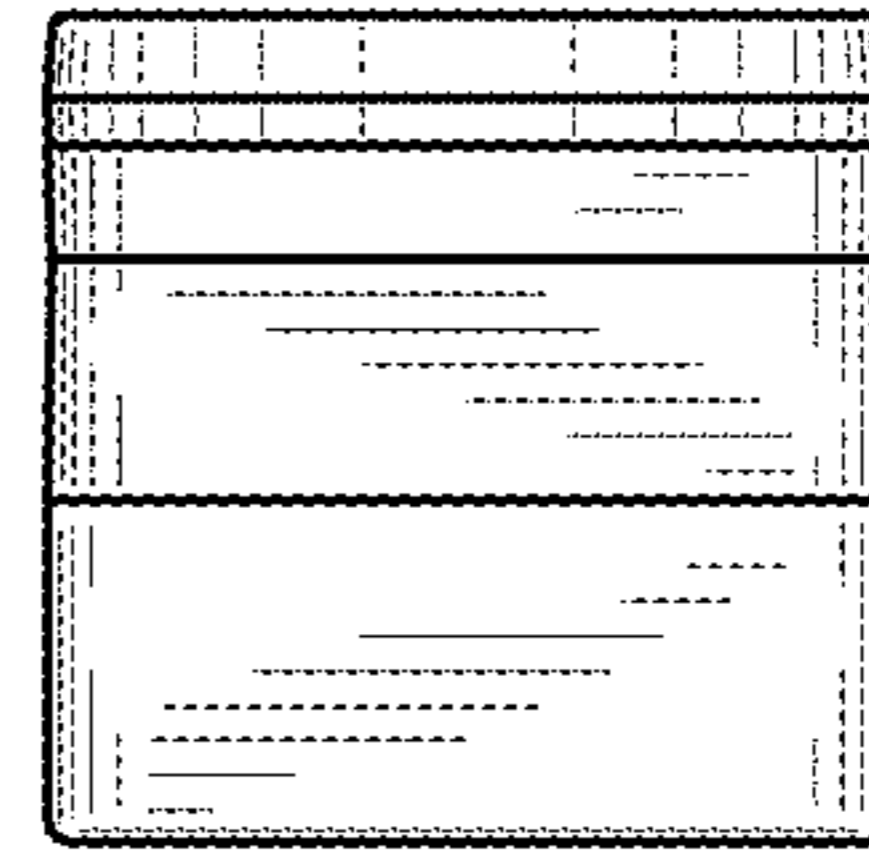


FIG. 3

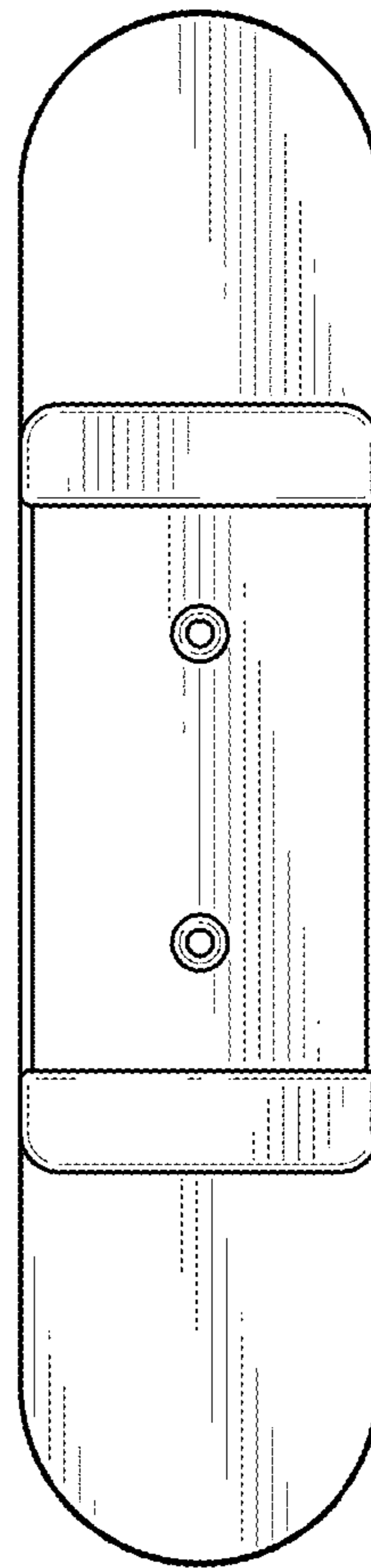


FIG. 4

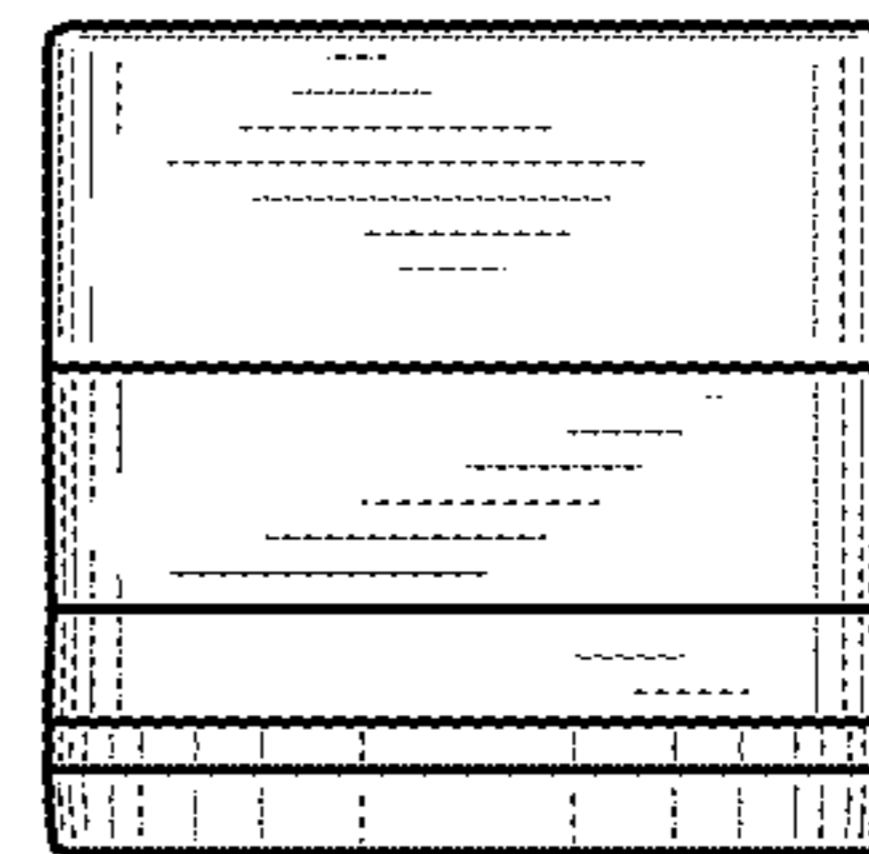


FIG. 5

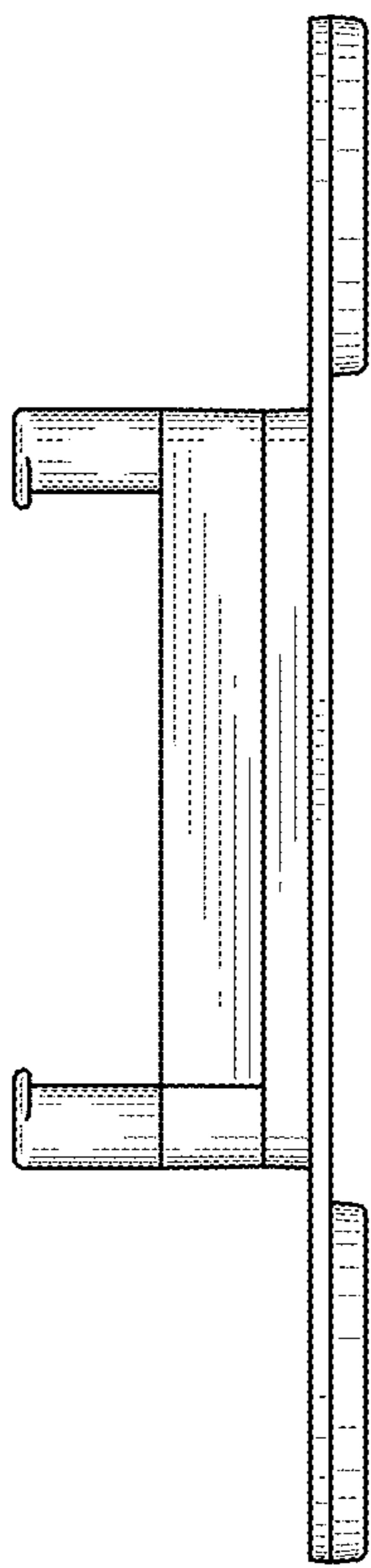


FIG. 6

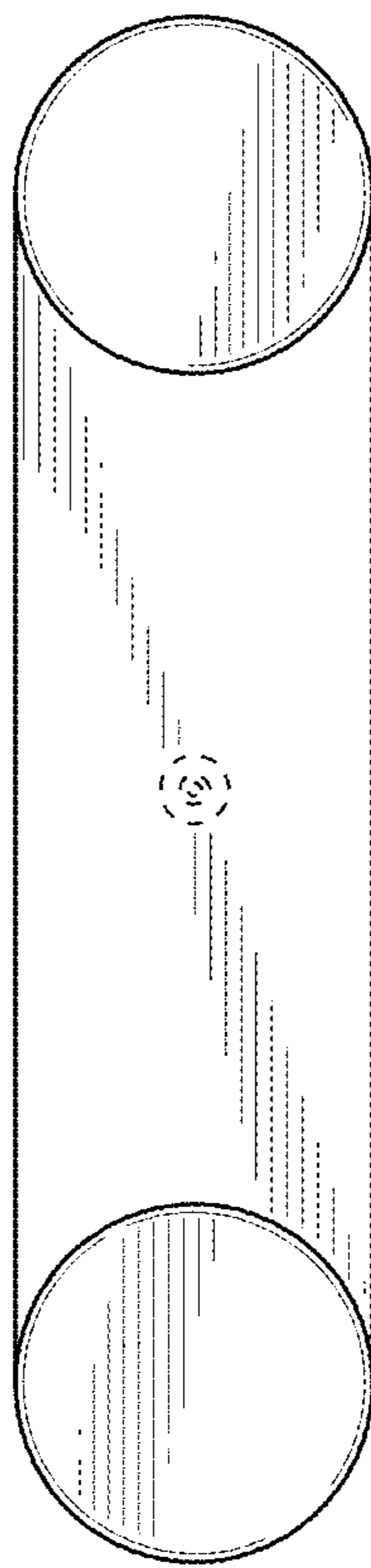


FIG. 7

