



US00D769108S

(12) **United States Design Patent** (10) **Patent No.:** **US D769,108 S**
Eberl et al. (45) **Date of Patent:** **** Oct. 18, 2016**

(54) **ROOFTOP SUPPORT BASE**
(71) Applicant: **Eberl Iron Works, Inc.**, Buffalo, NY (US)
(72) Inventors: **John Eberl**, Williamsville, NY (US); **Corey Beck**, Sanborn, NY (US); **George Hartman**, Depew, NY (US)
(73) Assignee: **Eberl Iron Works, Inc.**, Buffalo, NY (US)
(**) Term: **14 Years**
(21) Appl. No.: **29/498,688**
(22) Filed: **Aug. 6, 2014**
(51) **LOC (10) Cl.** **08-05**
(52) **U.S. Cl.**
USPC **D8/380; D8/354**
(58) **Field of Classification Search**
USPC D8/349, 354, 355, 380, 382, 383, 394, D8/74; D13/155, 102, 118, 154, 184, 199; D21/484, 500, 504; D25/119, 123, D25/124, 125, 65
CPC F24J 2/07; F24J 2/14; F24J 2/541; F24J 2/542; F24J 5/38; Y02E 10/47; Y02E 10/45; Y02E 10/50; Y02E 10/60; Y02E 10/52; E04H 9/022; E04H 9/021; E02D 27/34; E04B 1/98; H01L 35/00; H01L 35/08; H10L 31/0522; H10L 31/052; H10L 31/042; H10L 31/05; B64G 1/443; B64G 1/222; B60G 2202/143
See application file for complete search history.

(56) **References Cited**
U.S. PATENT DOCUMENTS
875,985 A * 1/1908 Conery, Jr. A47K 5/09 510/149
D269,852 S * 7/1983 Frieberg D8/399
D280,284 S * 8/1985 Bachmann D8/107

5,855,342 A 1/1999 Hawkins et al.
D410,731 S * 6/1999 Bowman D23/227
6,305,650 B1 10/2001 Hawkins et al.
6,520,456 B1 2/2003 Neider et al.
6,679,461 B1 1/2004 Hawkins
6,682,025 B2 1/2004 Turner et al.
D521,851 S * 5/2006 Smart D8/354
7,168,210 B2 1/2007 Krovats
7,278,613 B2 * 10/2007 Roy F16L 3/02 138/106
7,441,731 B2 10/2008 Smart et al.
7,607,619 B2 10/2009 Smart et al.
7,661,240 B2 2/2010 Sargent
7,708,235 B2 5/2010 Hawkins
7,731,131 B2 6/2010 Trueb
7,735,270 B2 6/2010 Olle et al.
7,866,093 B2 1/2011 Krovats
7,922,130 B2 4/2011 Hawkins
D646,147 S * 10/2011 Stuckey D8/331
D646,542 S * 10/2011 Wackwitz D8/70
D658,973 S * 5/2012 Drake D8/349
D658,978 S * 5/2012 Linares D8/399
D665,242 S * 8/2012 Wackwitz D15/140
D669,133 S * 10/2012 Dalton D19/75
8,312,692 B2 11/2012 Krovats
8,316,617 B2 11/2012 Krovats

(Continued)

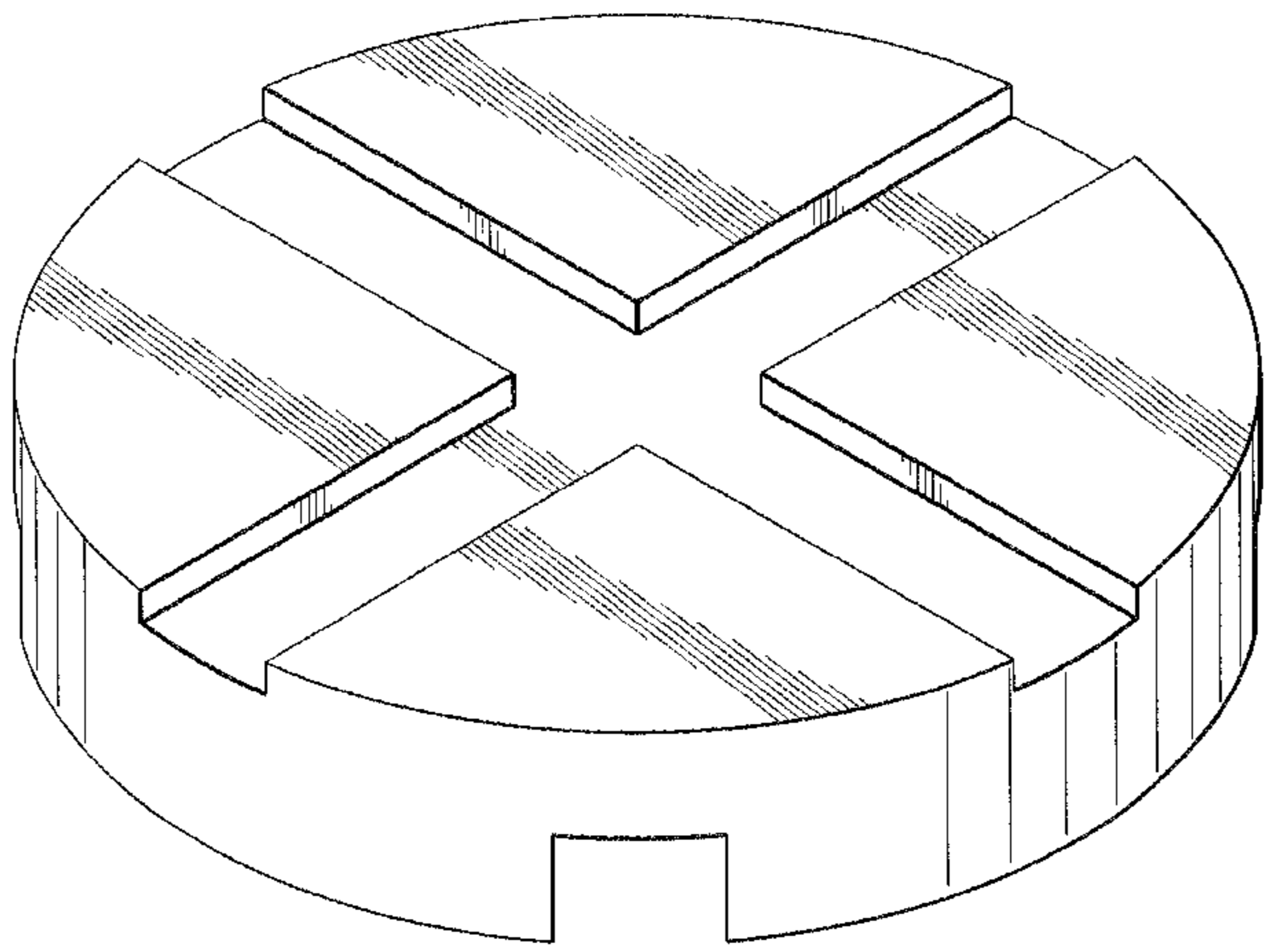
Primary Examiner — Mark Goodwin
(74) *Attorney, Agent, or Firm* — Phillips Lytle LLP; David L. Principe

(57) **CLAIM**
The ornamental design for a rooftop support base, as shown and described.

DESCRIPTION

FIG. 1 is a top perspective view of the rooftop support base showing our new design;
FIG. 2 is a bottom perspective view thereof;
FIG. 3 is a side elevation view thereof, the view being identical at ninety degree intervals;
FIG. 4 is a bottom plan view thereof; and,
FIG. 5 is a top plan view thereof.

1 Claim, 4 Drawing Sheets



US D769,108 S

Page 2

(56)

References Cited

U.S. PATENT DOCUMENTS

D692,393 S *	10/2013	Hillman	D13/102	D758,834 S *	6/2016	Tally	D8/380
D710,062 S *	7/2014	Ishibashi	D32/25	2003/0116683 A1 *	6/2003	Turner	F16L 3/1041
D710,191 S *	8/2014	Yamazaki	D8/399				248/65
D723,355 S *	3/2015	Federspiel	D8/354	2005/0173597 A1	8/2005	Farrell et al.	
D728,177 S *	4/2015	Ishibashi	D32/25	2008/0054143 A1	3/2008	Collins et al.	
D736,585 S *	8/2015	Furey	D8/72	2009/0272856 A1 *	11/2009	Azuma	F16L 3/04
D738,711 S *	9/2015	Tally	D8/380				248/73
9,303,792 B2 *	4/2016	Heims	H02G 3/32	2010/0155545 A1	6/2010	Birli et al.	
				2010/0308181 A1	12/2010	Azuma et al.	
				2012/0025034 A1	2/2012	Turner	

* cited by examiner

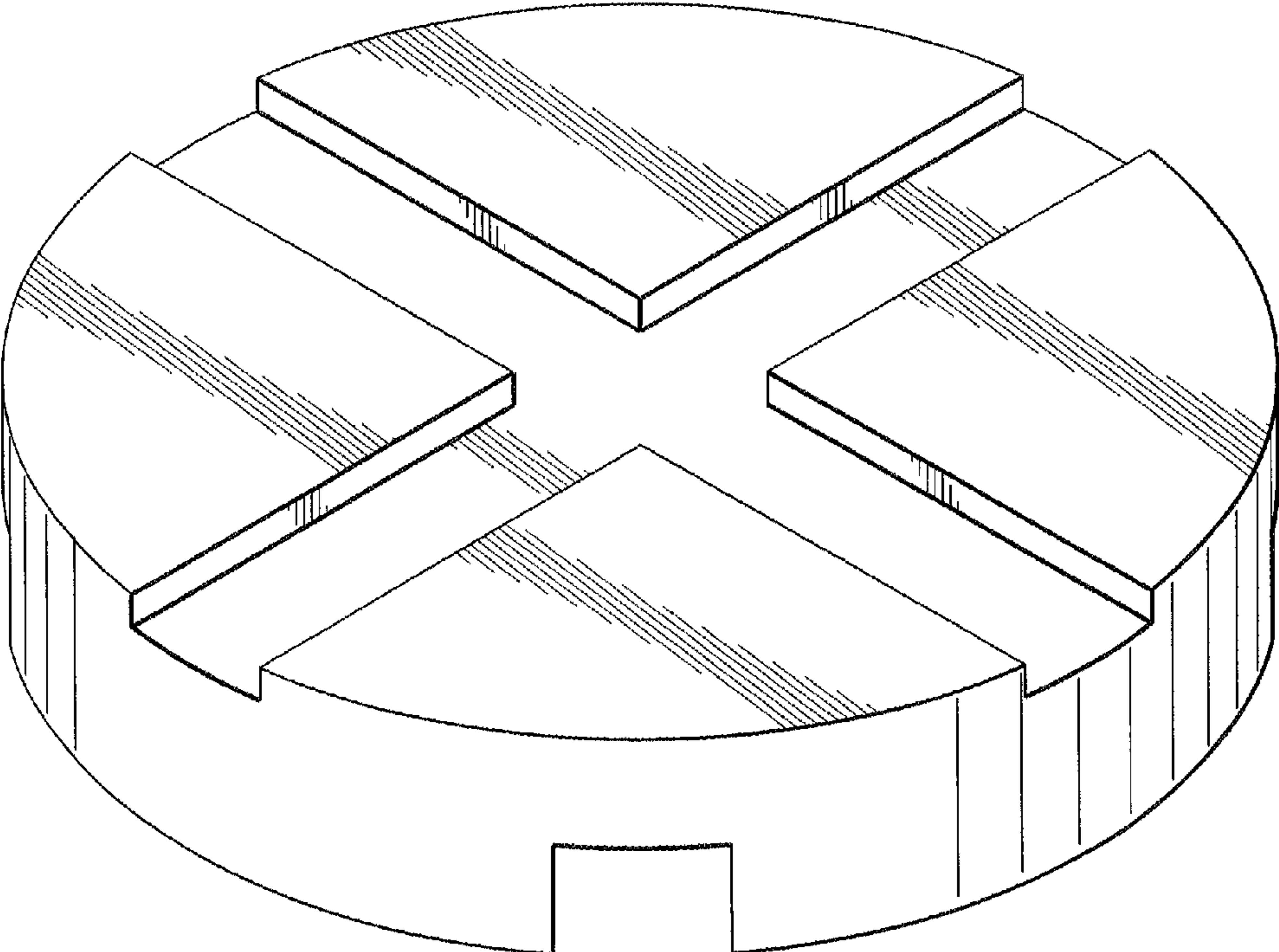


FIG. 1

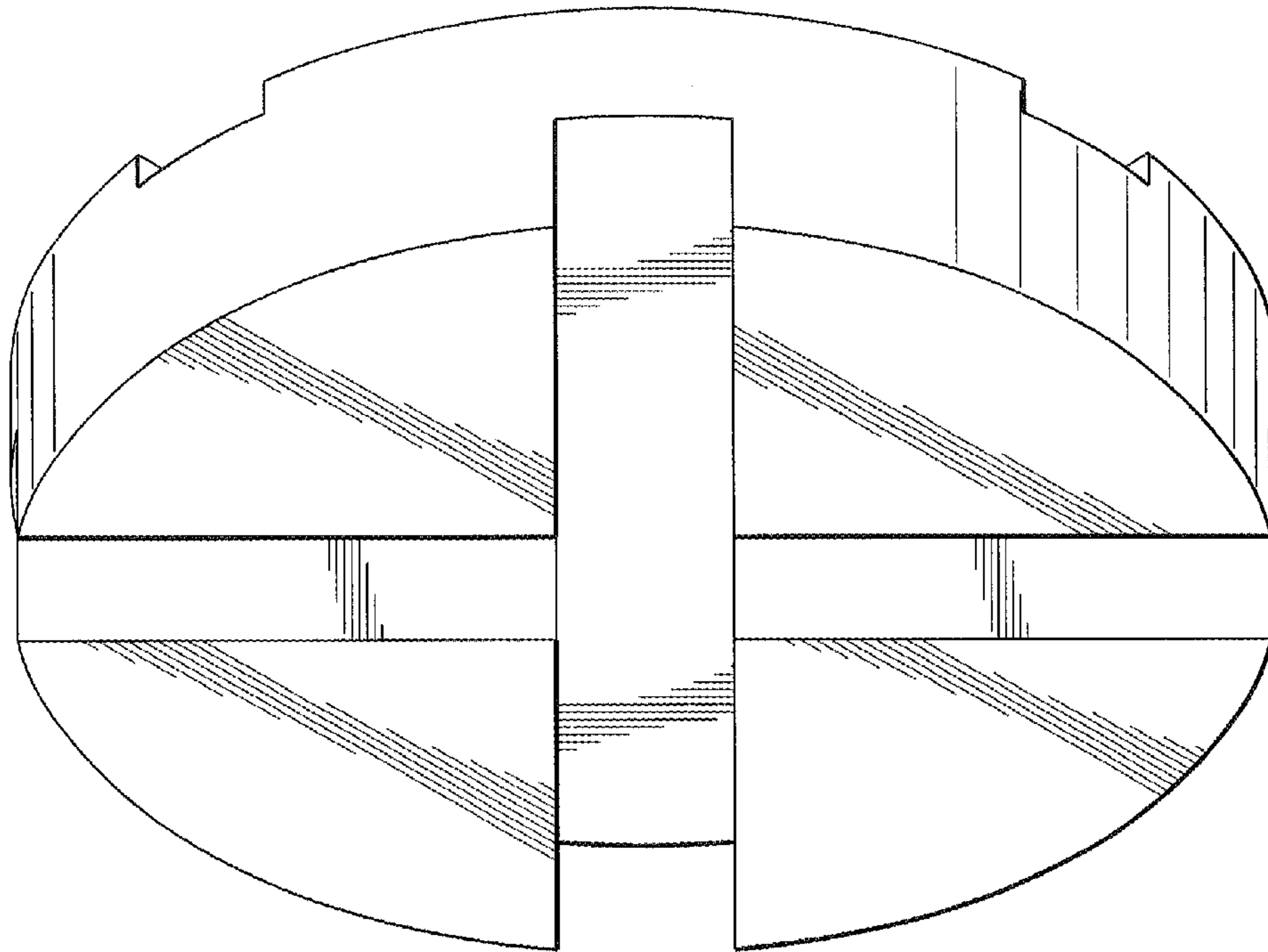


FIG. 2

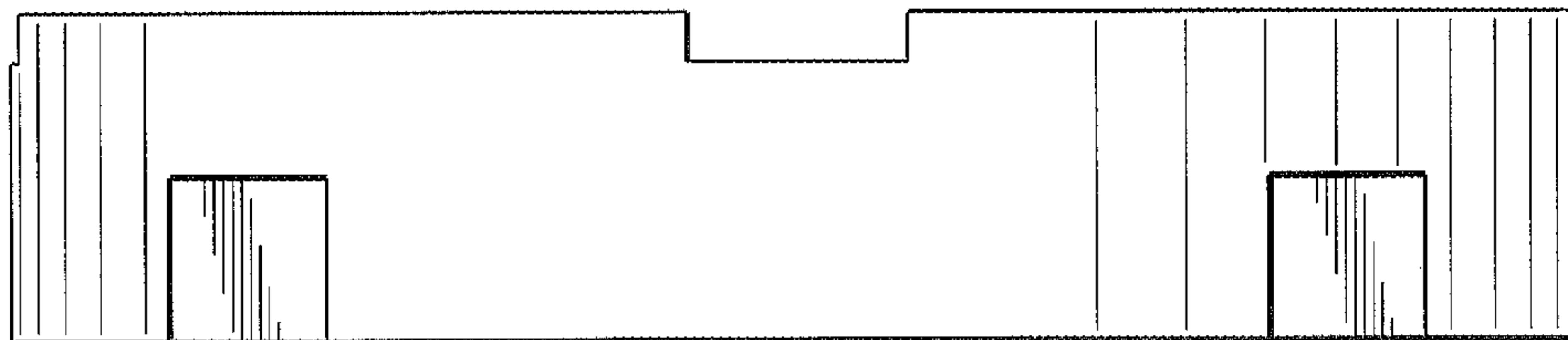


FIG. 3

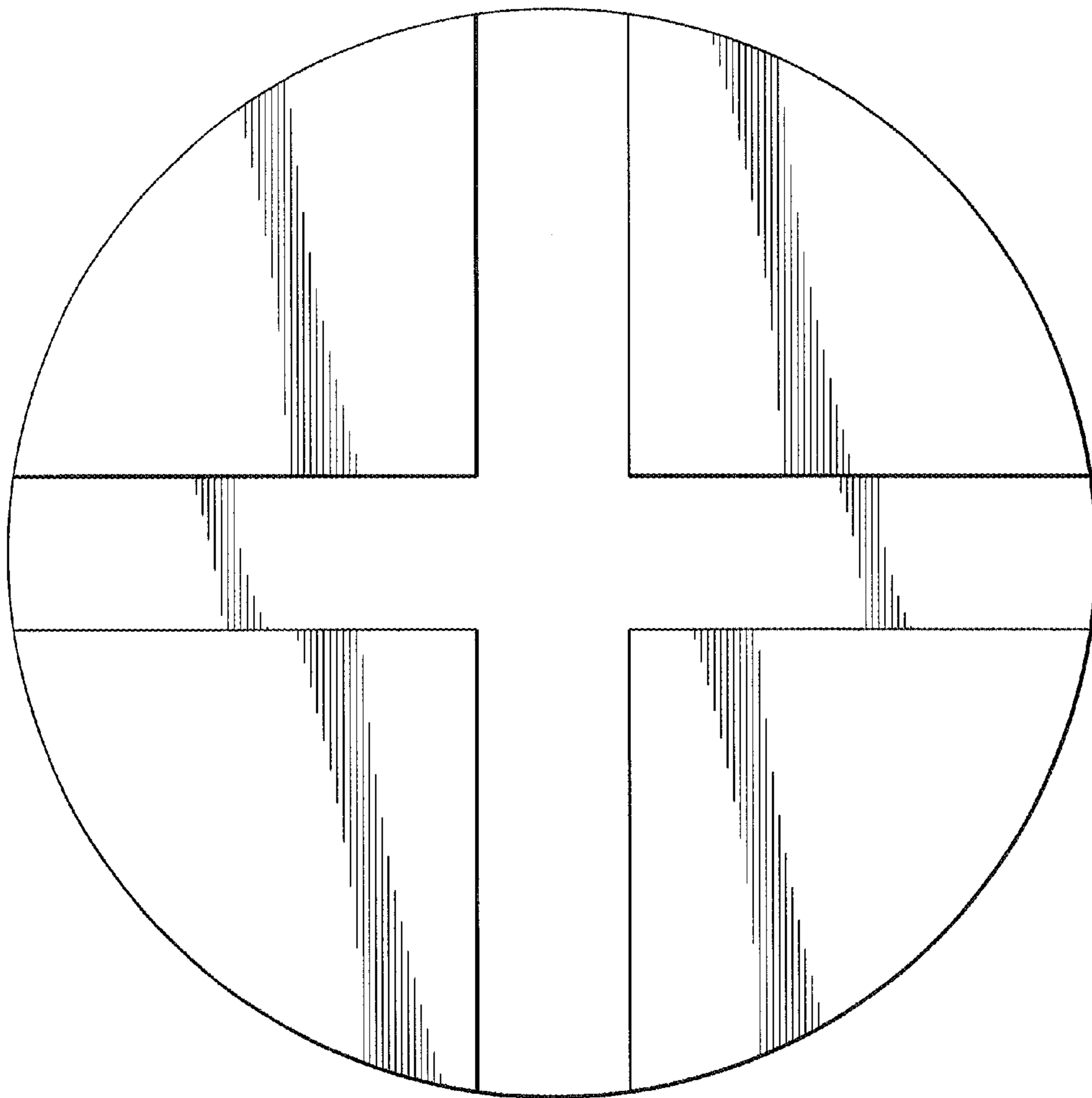


FIG. 4

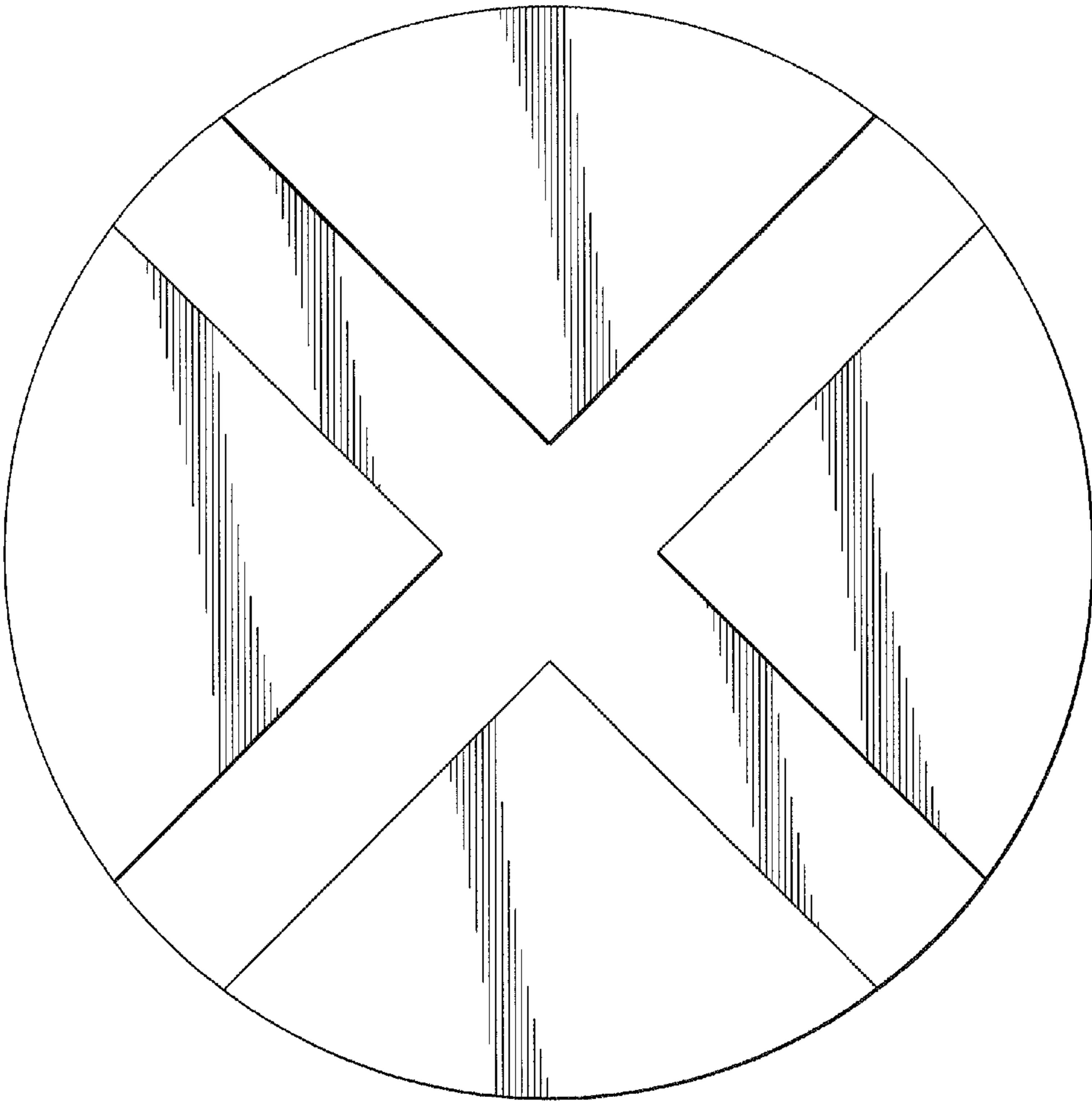


FIG. 5