

US00D769107S

(12) **United States Design Patent** (10) **Patent No.:** **US D769,107 S**  
**McLaren Hall** (45) **Date of Patent:** **\*\* \*Oct. 18, 2016**

(54) **WALL MOUNTABLE CLIP**

(56) **References Cited**

(71) Applicant: **Rebecca Jean McLaren Hall**, Tigard, OR (US)

U.S. PATENT DOCUMENTS

(72) Inventor: **Rebecca Jean McLaren Hall**, Tigard, OR (US)

D224,084 S *	7/1972	Gaffney .....	D8/371
D423,917 S *	5/2000	Remmers .....	D8/380
D600,103 S *	9/2009	Fraga .....	D8/373
D608,622 S *	1/2010	Zhu .....	D6/513
D627,625 S *	11/2010	Anwar .....	D8/363
D660,688 S *	5/2012	Kosir .....	D8/373
D727,718 S *	4/2015	McLaren Hall .....	D8/373
D731,876 S *	6/2015	Di Stefano .....	D8/363
D735,564 S *	8/2015	Goodman .....	D8/372

(\*) Notice: This patent is subject to a terminal disclaimer.

(\*\*) Term: **14 Years**

\* cited by examiner

(21) Appl. No.: **29/519,978**

*Primary Examiner* — Robert M Spear

*Assistant Examiner* — Eliza Bennett-Hattan

(22) Filed: **Mar. 10, 2015**

(74) *Attorney, Agent, or Firm* — Antonio Papageorgiou, Esq.; Meister Seelig & Fein LLP

**Related U.S. Application Data**

(57) **CLAIM**

The ornamental design for the wall mountable clip, as shown and described.

(63) Continuation-in-part of application No. 29/495,455, filed on Jul. 1, 2014, now Pat. No. Des. 727,718.

**DESCRIPTION**

(51) **LOC (10) Cl.** ..... **08-05**

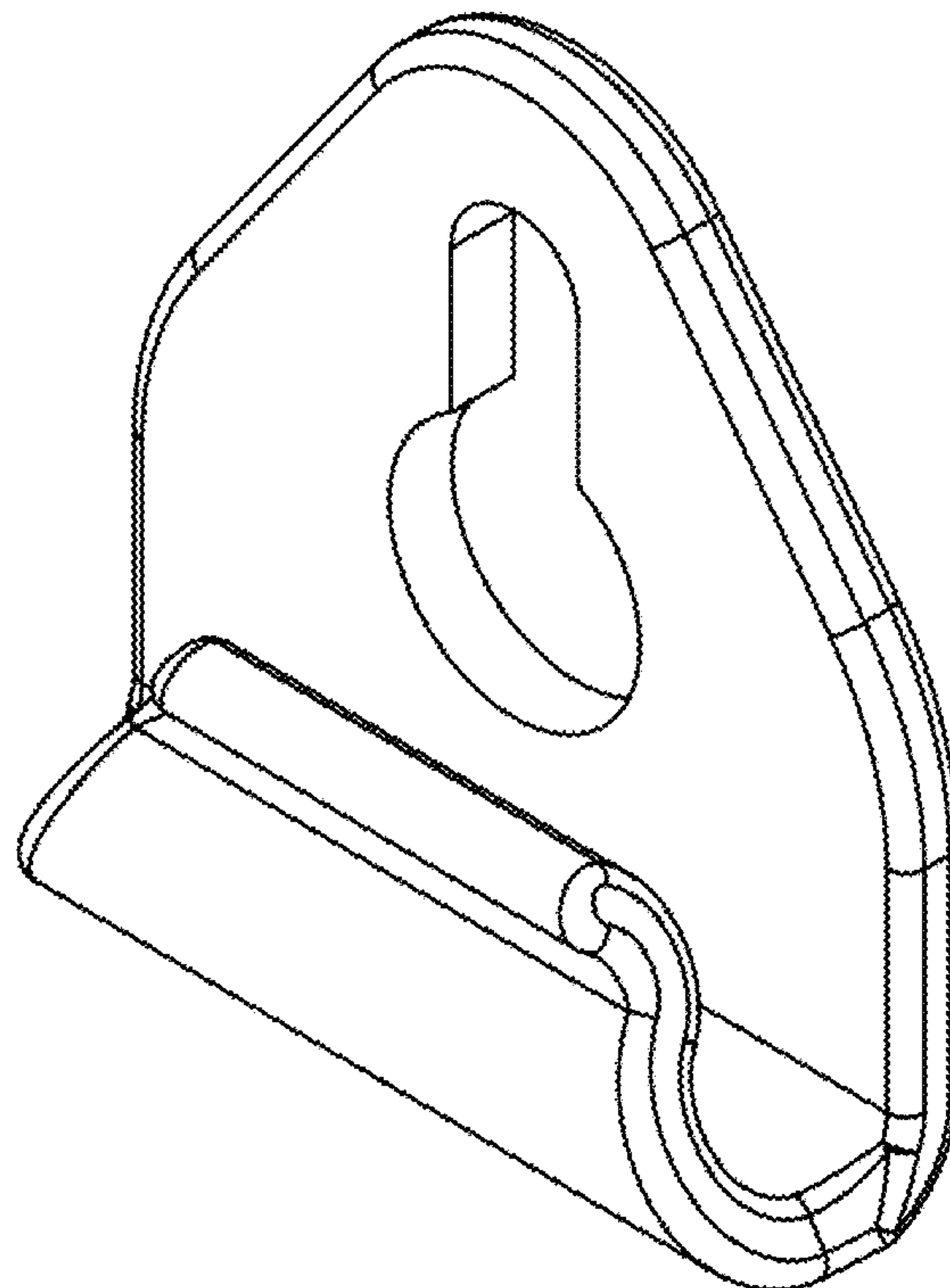
FIG. 1 is a perspective view of the right side, the top, and the front of the wall mountable clip showing my new design; FIG. 2 is a front view thereof; FIG. 3 is a back view thereof; FIG. 4 is a left side view thereof; FIG. 5 is a right side view thereof; FIG. 6 is a top view thereof; and, FIG. 7 is a bottom view thereof.

(52) **U.S. Cl.**  
USPC ..... **D8/373**

(58) **Field of Classification Search**  
USPC ..... D6/315, 320, 323, 512, 553, 567;  
D8/349, 354, 373, 366, 367, 380, 499  
CPC ..... A47G 25/0607; A47G 25/50; A47G  
25/0614

See application file for complete search history.

**1 Claim, 6 Drawing Sheets**



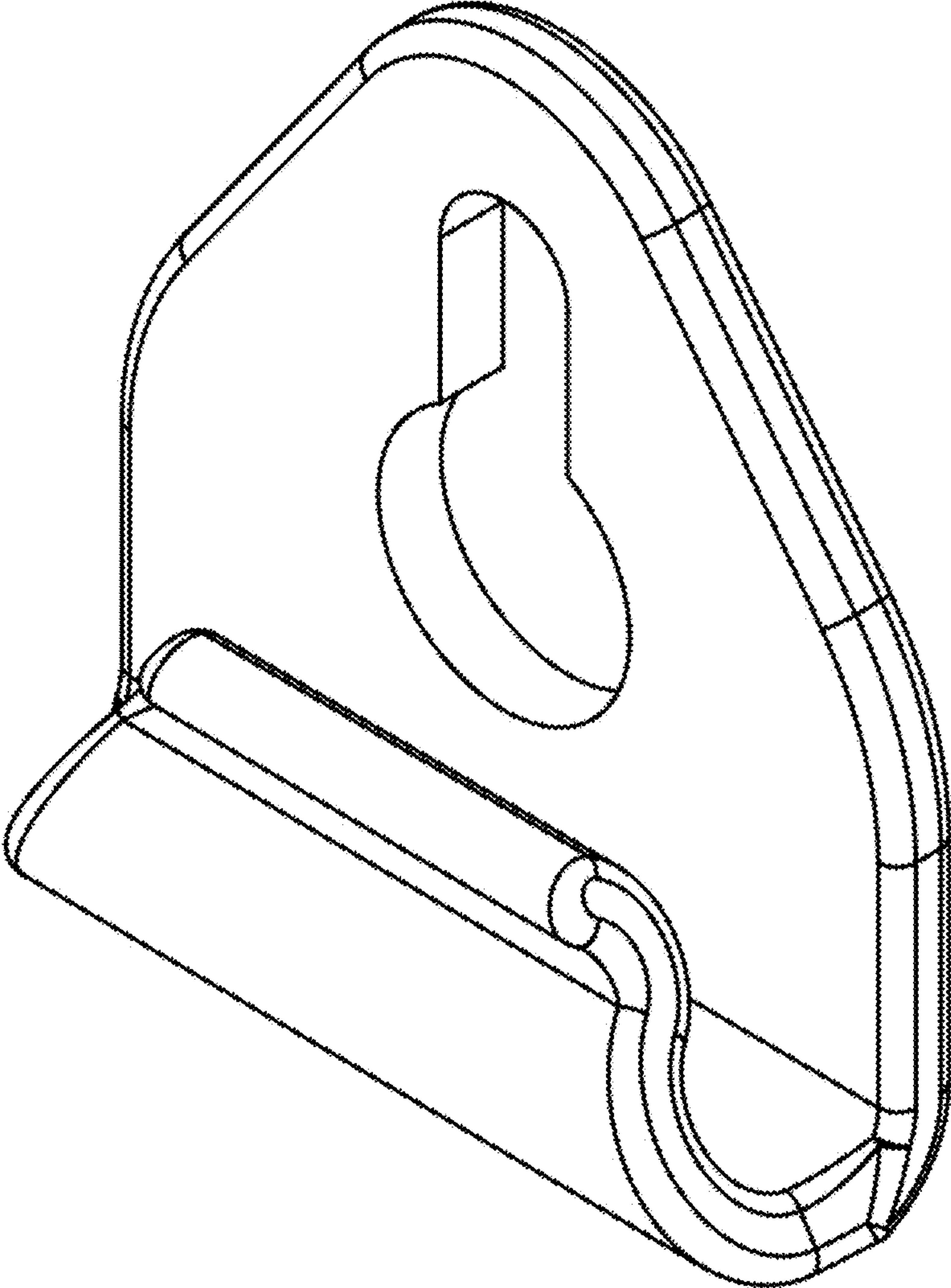


Fig. 1

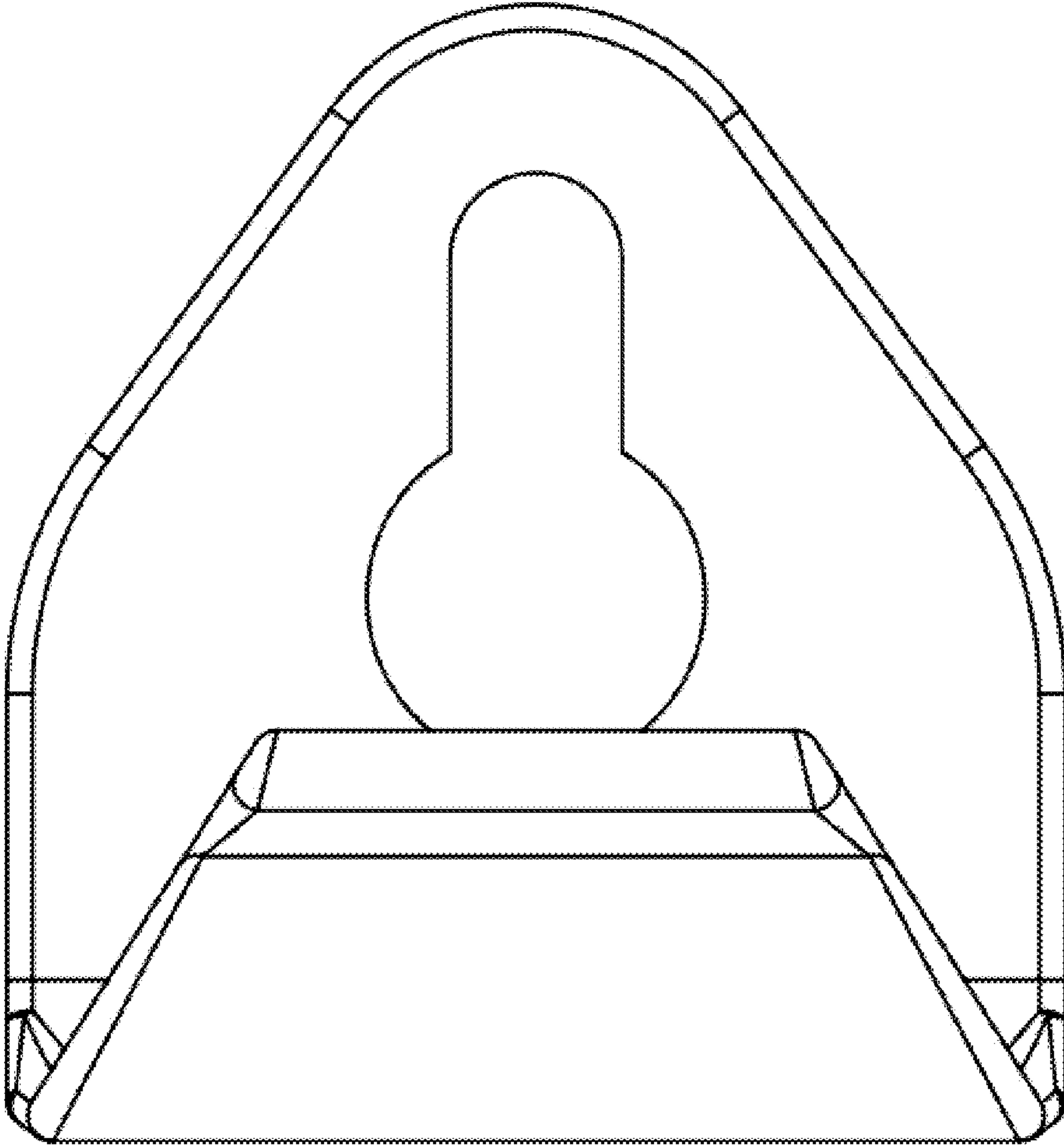


Fig. 2

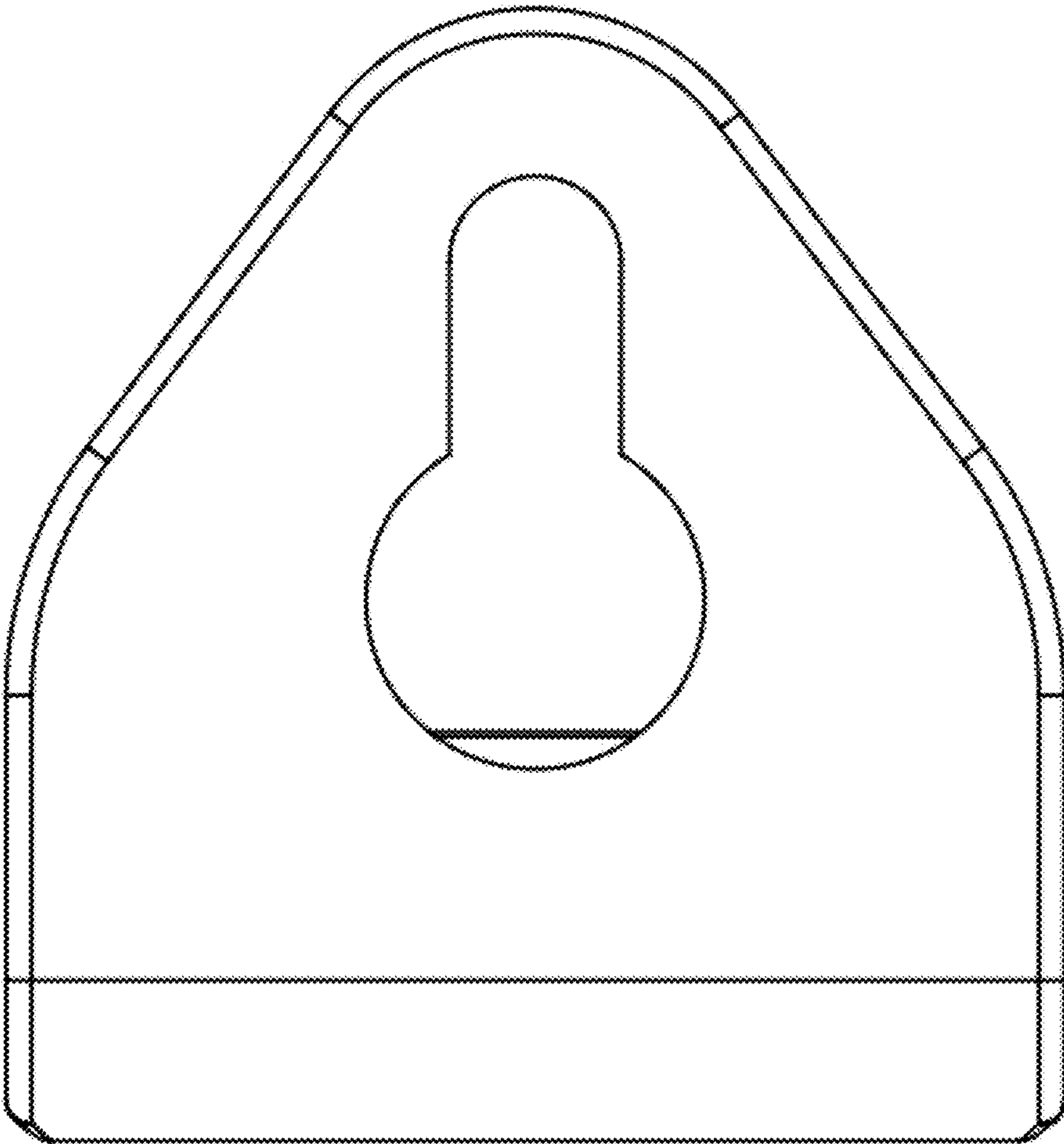


Fig. 3

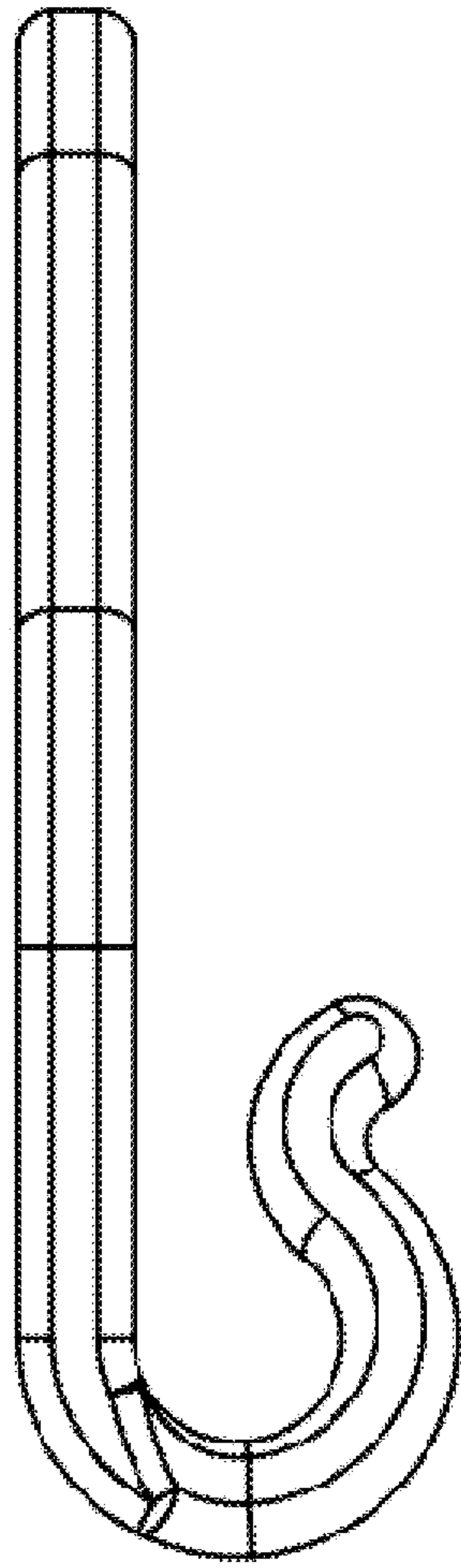


Fig. 4

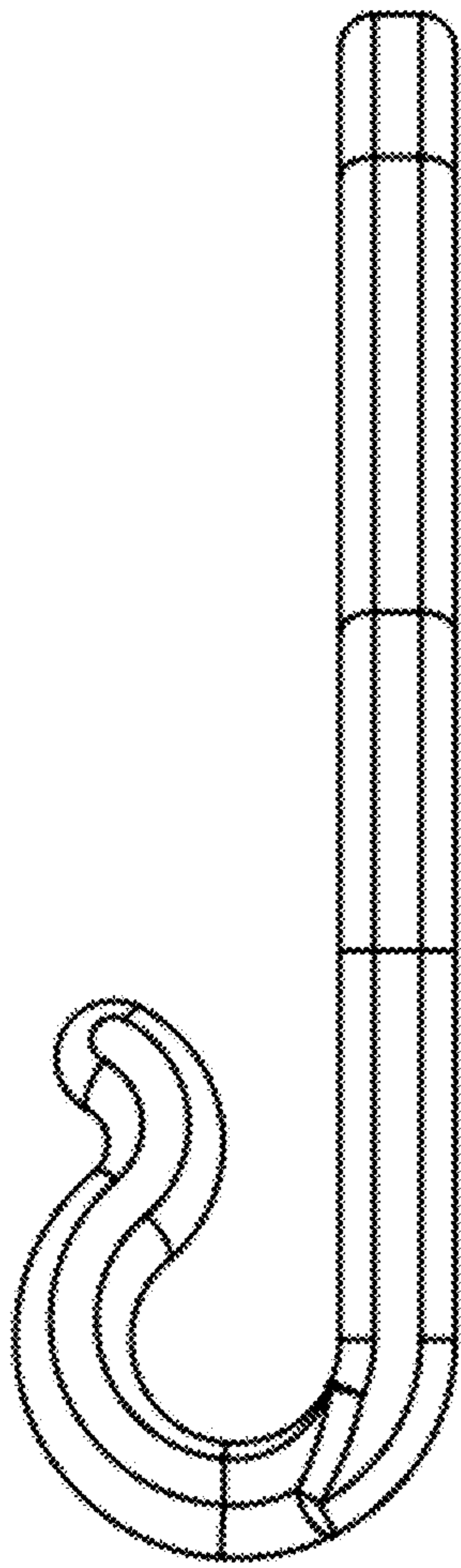


Fig. 5



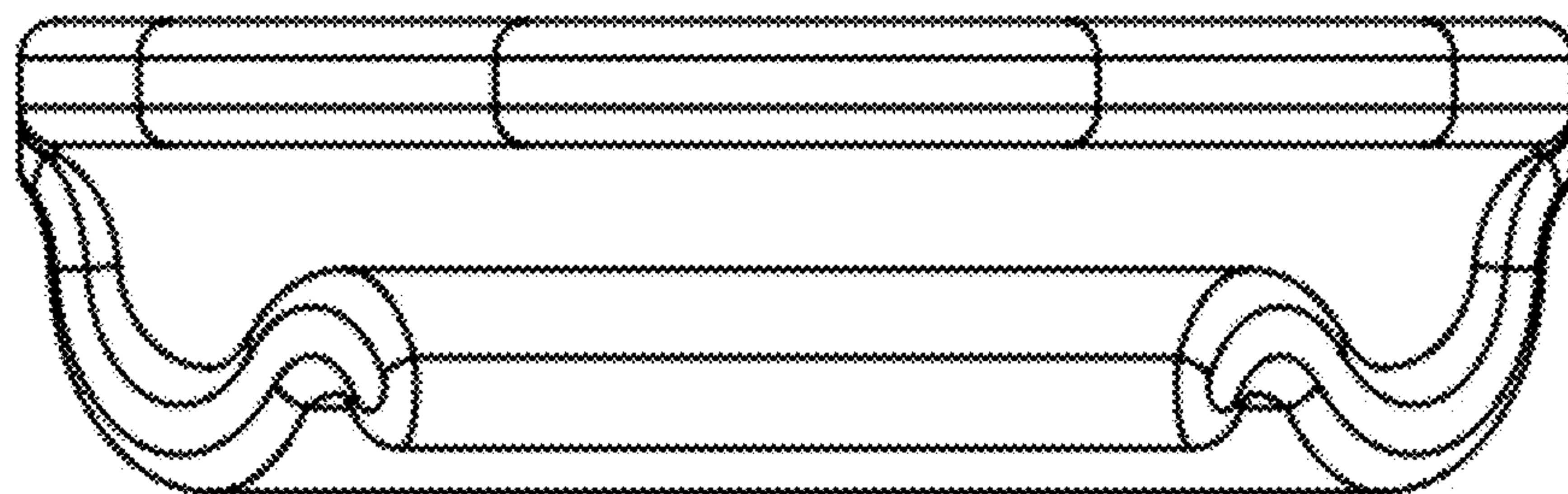


Fig. 6



Fig. 7