



US00D769105S

(12) **United States Design Patent** (10) **Patent No.:** **US D769,105 S**
Tomney et al. (45) **Date of Patent:** **** Oct. 18, 2016**

(54) **GUIDE MEMBER FOR GUIDING
LONGITUDINAL FLEXIBLE MEMBERS
AROUND A WHEEL**

(71) Applicants: **Justin Tomney**, West Islip, NY (US);
Michael R. Bizzaro, Bohemia, NY
(US)

(72) Inventors: **Justin Tomney**, West Islip, NY (US);
Michael R. Bizzaro, Bohemia, NY
(US)

(**) Term: **15 Years**

(21) Appl. No.: **29/541,057**

(22) Filed: **Sep. 30, 2015**

(51) **LOC (10) Cl.** **08-05**

(52) **U.S. Cl.**
USPC **D8/356; D12/217**

(58) **Field of Classification Search**
USPC D32/361; D9/434; D24/143; 24/129 R,
24/18, 130; 606/203; D8/354, 356;
D12/217; 248/75; 242/615
CPC B60T 3/00; H02G 3/045
See application file for complete search history.

(56) **References Cited**

U.S. PATENT DOCUMENTS

2,814,460	A	11/1957	Marcolongo	
D243,426	S *	2/1977	Joslyn	D6/567
4,778,135	A *	10/1988	Legard	B60T 3/00 188/32
4,836,432	A	6/1989	Violette	
4,884,664	A *	12/1989	Berg	B60T 3/00 188/32
4,895,225	A	1/1990	Parnell	
5,427,339	A	6/1995	Pauli et al.	
5,549,262	A	8/1996	Whitehead	
D432,902	S	10/2000	Thiel	

6,476,327	B1 *	11/2002	Bernard	H02G 3/045 174/101
6,598,826	B1	7/2003	Therriault	
6,622,960	B2	9/2003	Hyde	
D492,928	S *	7/2004	Pond	D12/217
D571,190	S *	6/2008	Spadotto	D8/356
D576,406	S *	9/2008	Chan	D3/318
D621,692	S *	8/2010	Clarke	D8/354
D622,927	S *	9/2010	Griebel	D1/122
D639,147	S	6/2011	Surles	
D687,546	S *	8/2013	Baid	D24/128
2002/0121571	A1 *	9/2002	Ferris	H02G 3/0406 242/615
2013/0193262	A1	8/2013	Torres et al.	

* cited by examiner

Primary Examiner — Cynthia Underwood

(74) *Attorney, Agent, or Firm* — Carter, DeLuca, Farrell & Schmidt, LLP

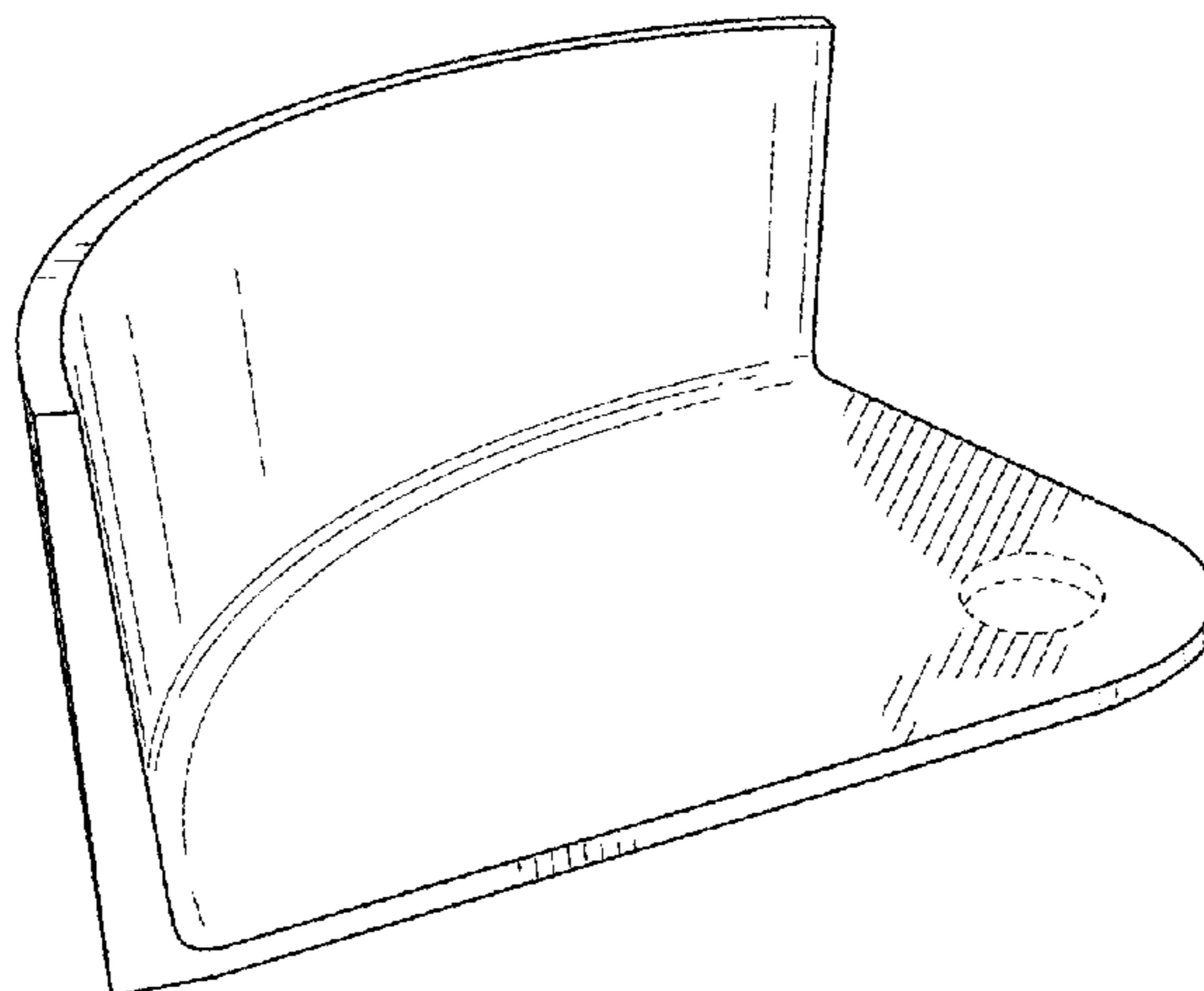
(57) **CLAIM**

The ornamental design for a guide member for guiding longitudinal flexible members around a wheel, as shown and described.

DESCRIPTION

FIG. 1 is a perspective view of a guide member in accordance with an embodiment of the present design; FIG. 2 is a right side view of the guide member of FIG. 1; FIG. 3 is a left side view of the guide member of FIG. 1; FIG. 4 is a top view of the guide member of FIG. 1; FIG. 5 is a bottom view of the guide member of FIG. 1; FIG. 6 is a front view of the guide member of FIG. 1; FIG. 7 is a rear view of the guide member of FIG. 1; and, FIG. 8 is a perspective view of the guide member of FIG. 1, shown reduced in scale, illustrating a wheel (shown in broken lines) received by the guide member. The broken lines represent environment and forms no part of the claim.

1 Claim, 5 Drawing Sheets



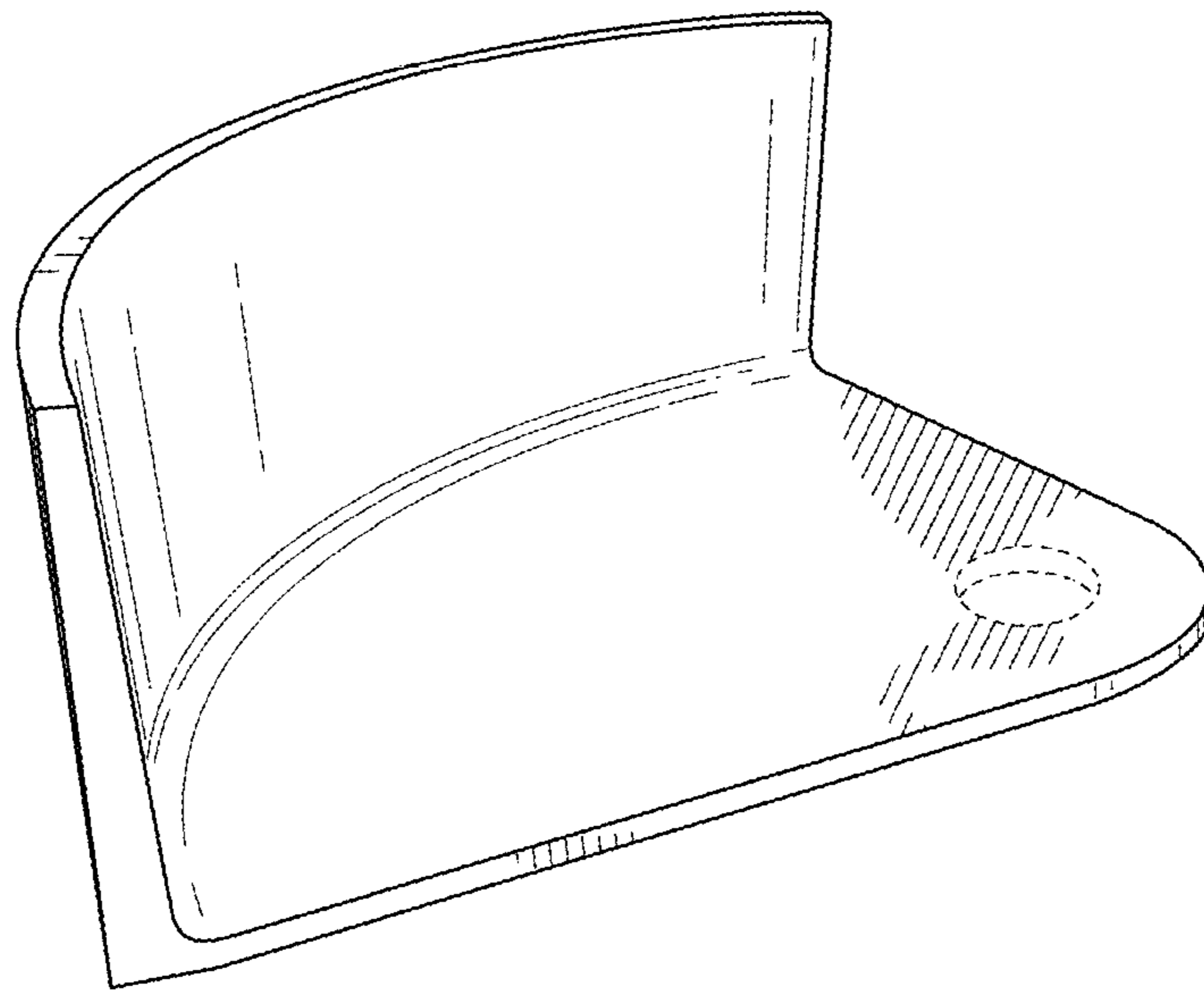


FIG. 1

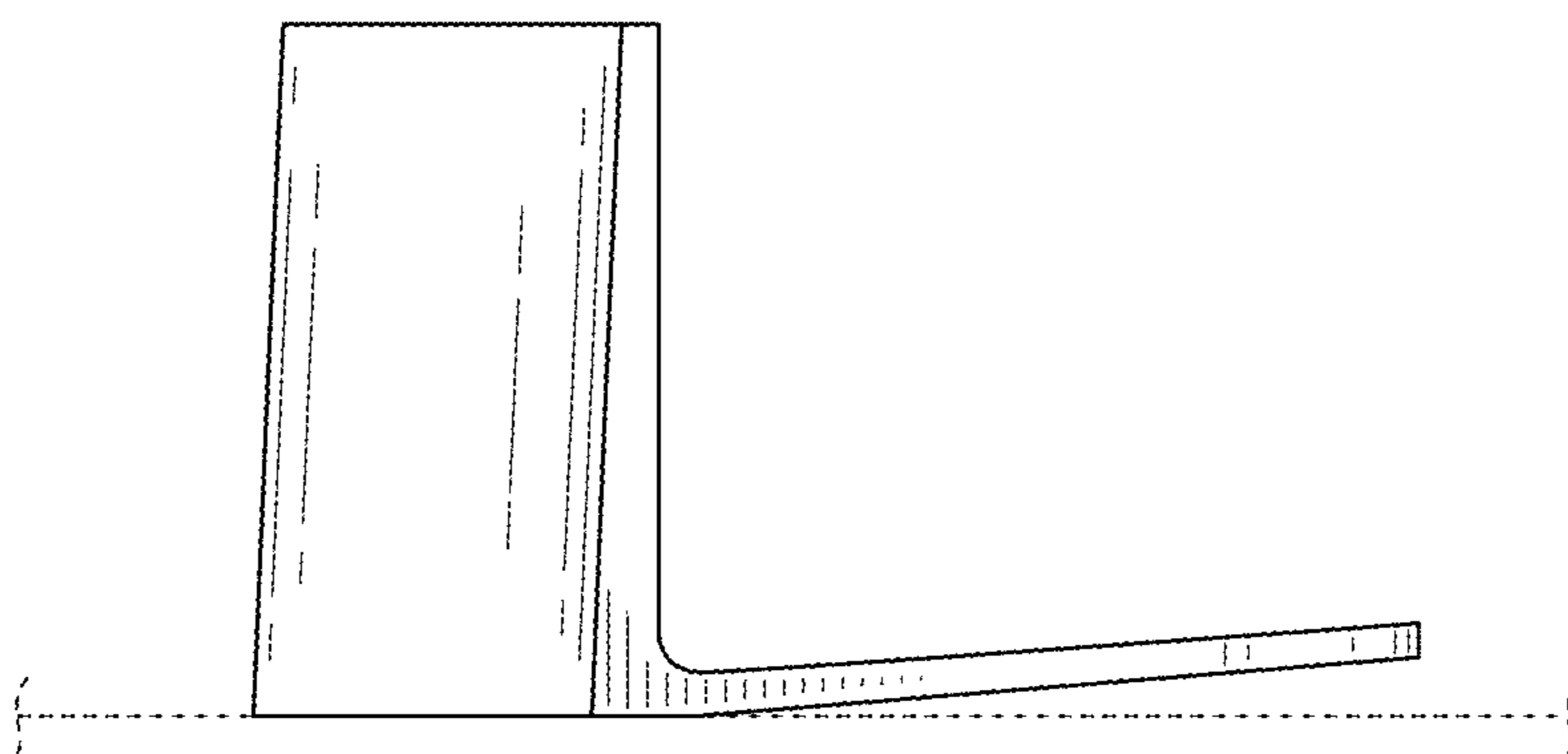


FIG. 2

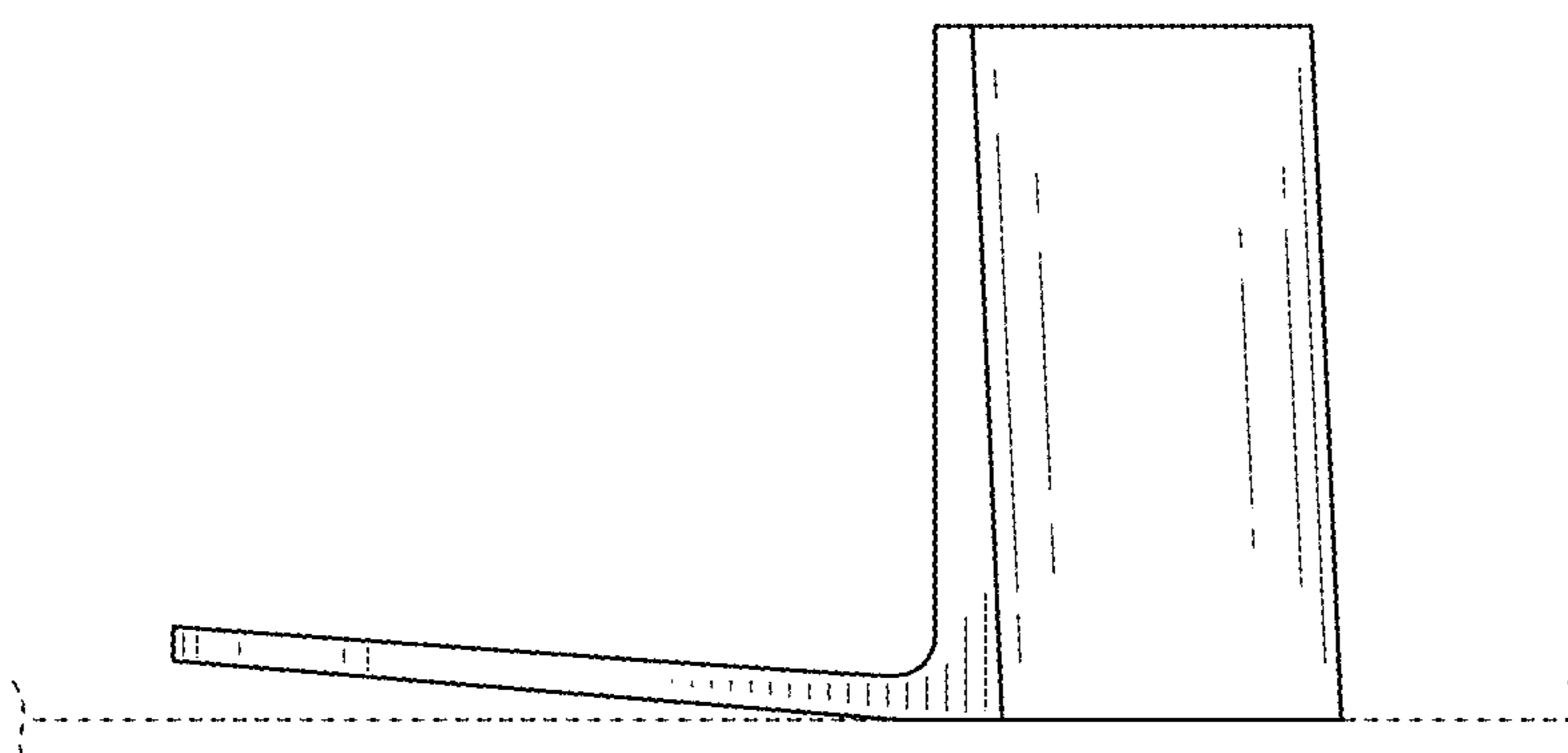


FIG. 3

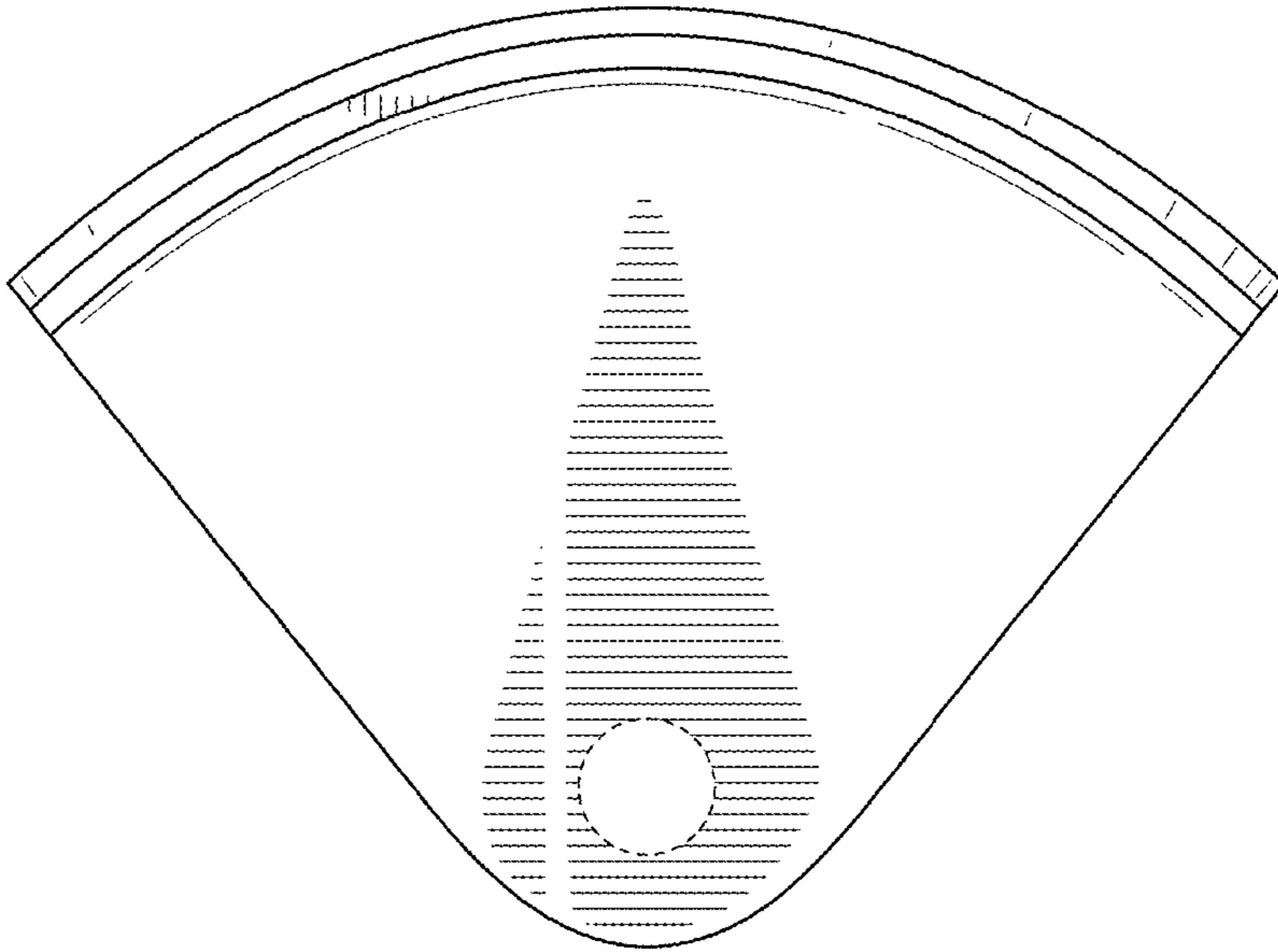


FIG. 4

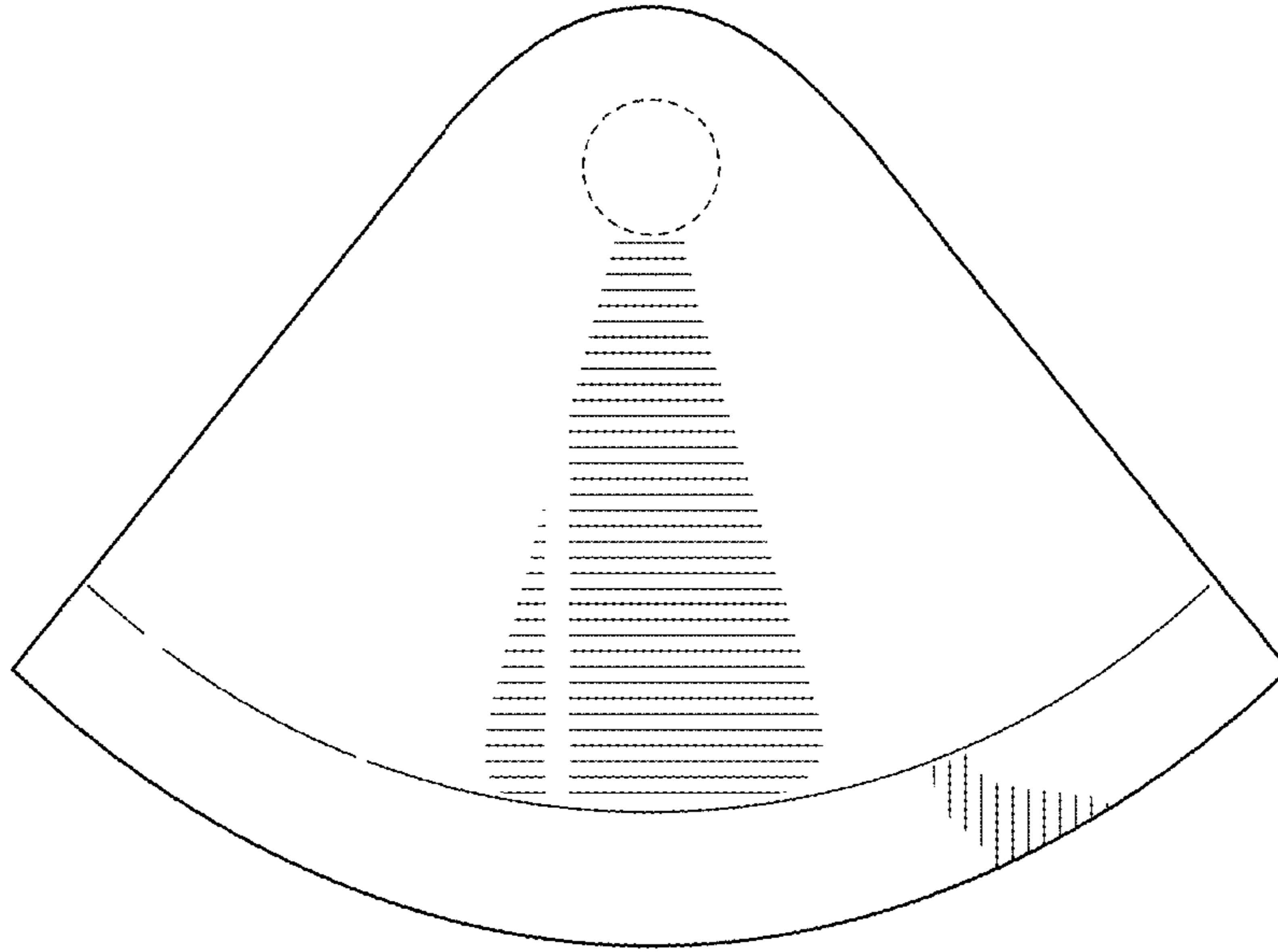


FIG. 5

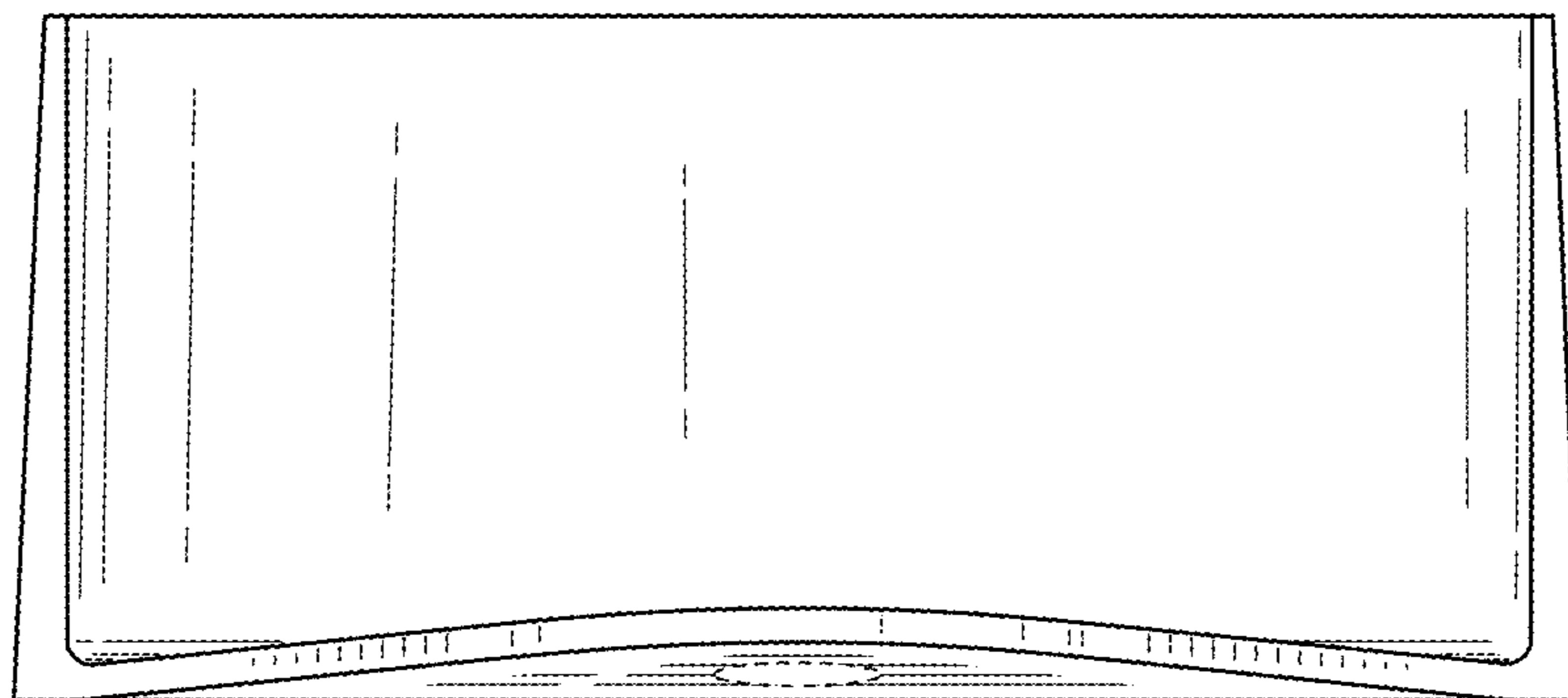


FIG. 6

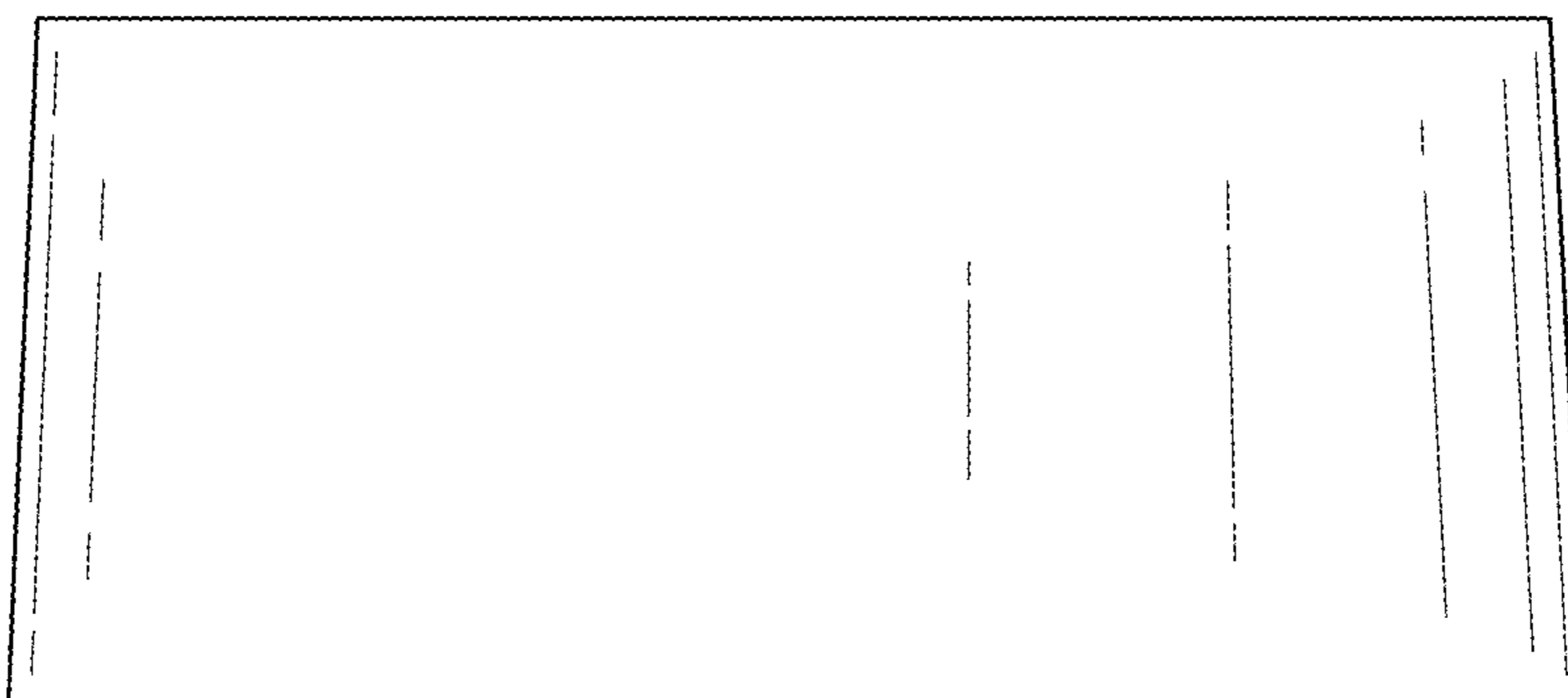


FIG. 7

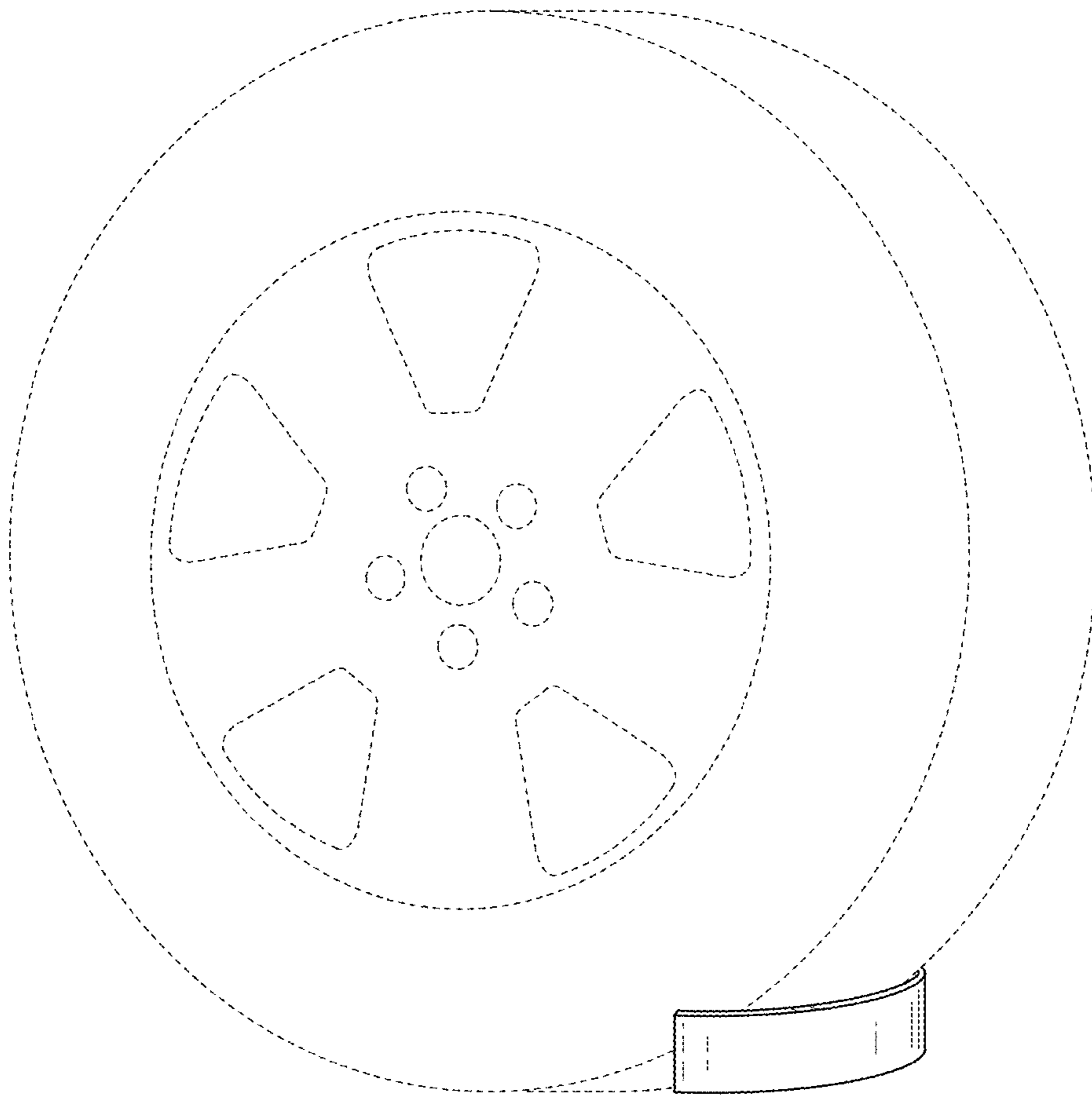


FIG. 8