

US00D769104S

(12) **United States Design Patent** (10) **Patent No.:** **US D769,104 S**
Reid (45) **Date of Patent:** **** Oct. 18, 2016**

(54) **SWIVEL CARABINER**
(71) Applicant: **Gary Reid**, Hugo, MN (US)
(72) Inventor: **Gary Reid**, Hugo, MN (US)
(**) Term: **14 Years**
(21) Appl. No.: **29/526,367**
(22) Filed: **May 8, 2015**
(51) **LOC (10) Cl.** **08-05**
(52) **U.S. Cl.**
USPC **D8/356**
(58) **Field of Classification Search**
USPC D32/361; D9/434; D24/143; 24/129 R,
24/18, 130, 289, 297, 457; 606/203;
D8/354, 356, 382, 394, 367, 349, 381,
D8/396; D12/217; 248/75, 301, 302, 303,
248/304, 339, 205.3, 544; 242/615;
294/209, 24, 2, 210, 211; 403/53, 91
CPC B60T 3/00; H02G 3/045; F16B 2/00;
A63B 27/00; F16G 15/08
See application file for complete search history.

D521,362 S * 5/2006 Kelleghan D8/356
D573,875 S * 7/2008 Anderson D8/367
D577,574 S * 9/2008 Liang D8/356
D595,119 S * 6/2009 Kelleghan D8/356
D598,732 S * 8/2009 Bizzell D8/356
D608,184 S * 1/2010 Kelleghan D8/356
D608,187 S * 1/2010 Baron D8/367
D619,448 S * 7/2010 Shepardson D8/367
D624,306 S * 9/2010 Case D3/207
D625,988 S * 10/2010 Chan D8/367
D639,046 S * 6/2011 Ormsbee D3/207
D652,971 S * 1/2012 Ormsbee D26/38
8,172,476 B2 * 5/2012 Berney F16B 45/00
403/164
D670,902 S * 11/2012 McSweyn D3/208
D686,058 S * 7/2013 Paik D8/356
D698,625 S * 2/2014 Liang D8/356
D698,626 S * 2/2014 Ormsbee D8/356
D698,636 S * 2/2014 Weinberg D8/356
D702,109 S * 4/2014 Weinberg D8/356
D702,110 S * 4/2014 Gobbi D8/356
D708,843 S * 7/2014 Warner D3/207
D729,513 S * 5/2015 Jiang D3/207
D729,619 S * 5/2015 Cherin D8/394
D735,559 S * 8/2015 Liang D8/356
D743,778 S * 11/2015 Huang D8/367

(Continued)

Primary Examiner — Cynthia Underwood
(74) *Attorney, Agent, or Firm* — Geiser Law, PLLC; Greg N. Geiser

(56) **References Cited**

U.S. PATENT DOCUMENTS

2,193,291 A * 3/1940 Marchins F16G 15/08
59/89
2,400,291 A * 5/1946 D Aleo B63B 21/24
403/164
D241,118 S * 8/1976 Schreyer D8/367
4,274,252 A * 6/1981 Cavender F16G 15/08
59/86
D271,465 S * 11/1983 Boissonnet D8/367
D272,717 S * 2/1984 Faidide D8/367
D348,214 S * 6/1994 Girardin D8/367
5,538,303 A * 7/1996 Dunham B63B 21/54
24/599.1
D444,052 S * 6/2001 Catlett D8/367
D455,642 S * 4/2002 Kelleghan D8/367
6,601,274 B2 * 8/2003 Gartsbeyn F16B 45/02
24/599.8
D485,431 S * 1/2004 Hsu D3/210

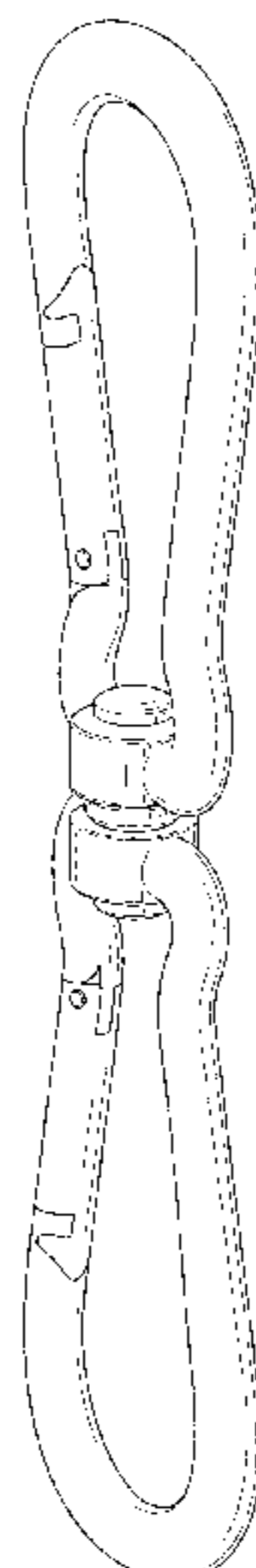
(57) **CLAIM**

The ornamental design for a swivel carabiner, as shown and described.

DESCRIPTION

FIG. 1 is a perspective view of a swivel carabiner showing my new design;
FIG. 2 is a left side elevational view thereof;
FIG. 3 is a right side elevational view thereof;
FIG. 4 is rear side elevational view thereof;
FIG. 5 is a front side elevational view thereof;
FIG. 6 is a top side view thereof; and,
FIG. 7 is a bottom side view thereof.

1 Claim, 5 Drawing Sheets



US D769,104 S

Page 2

(56)

References Cited

U.S. PATENT DOCUMENTS

D746,126 S * 12/2015 LeBeau D8/367
9,255,602 B2 * 2/2016 Liang F16B 45/02
D753,986 S * 4/2016 Petzl D8/367
D755,612 S * 5/2016 Cooper D8/367

D758,172 S * 6/2016 Hung D8/367
2002/0050032 A1 * 5/2002 Carnall F16B 45/02
24/600.2
2006/0179784 A1 * 8/2006 Chen F16B 21/00
52/698
2009/0000086 A1 * 1/2009 Bing F16B 45/06
24/592.11

* cited by examiner

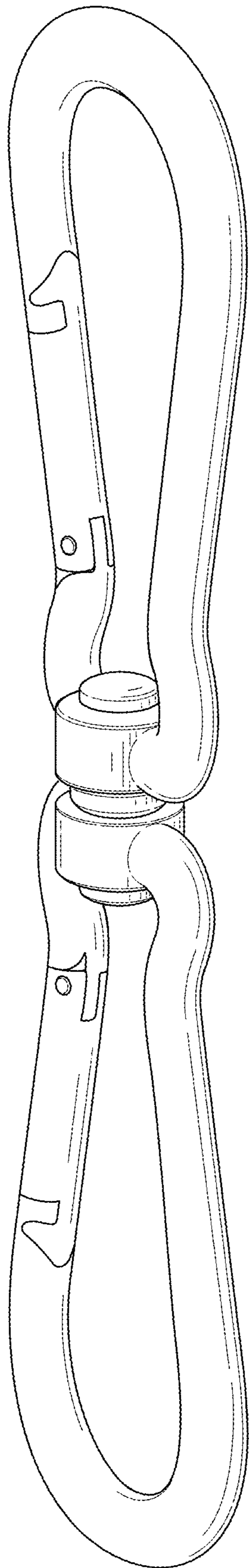


FIG. 1

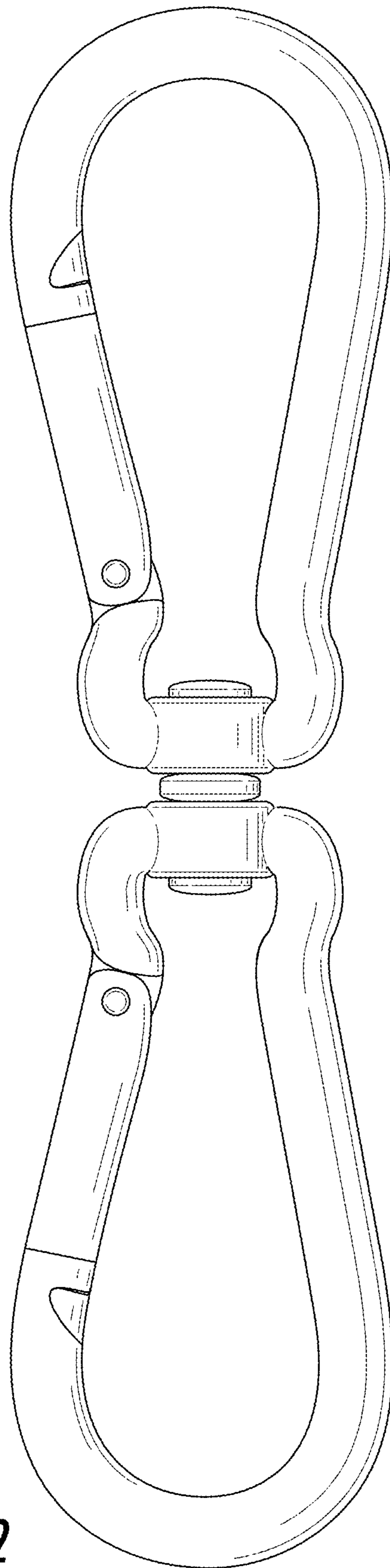


FIG. 2

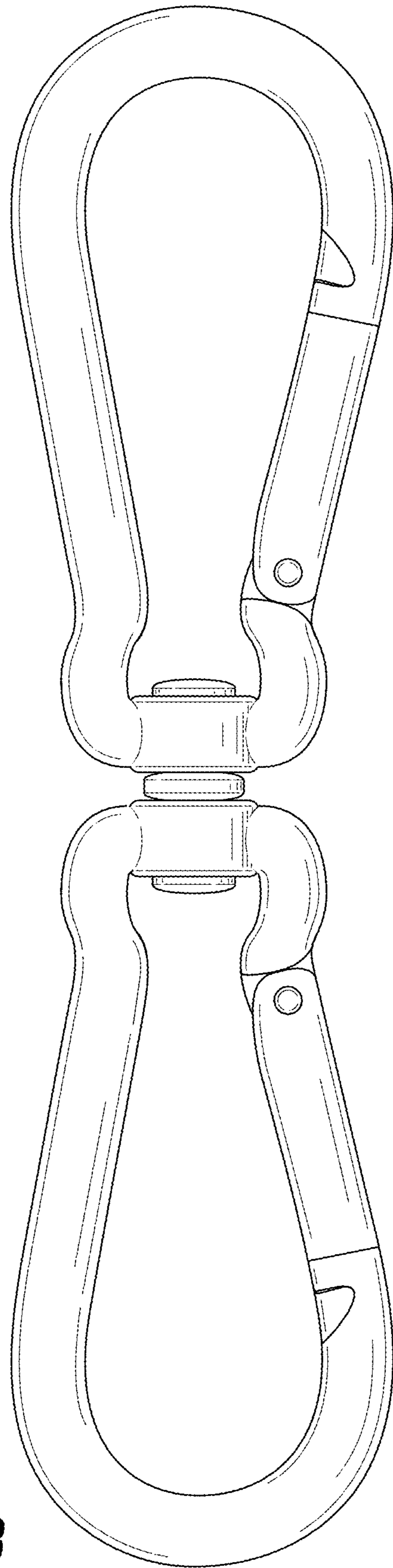


FIG. 3

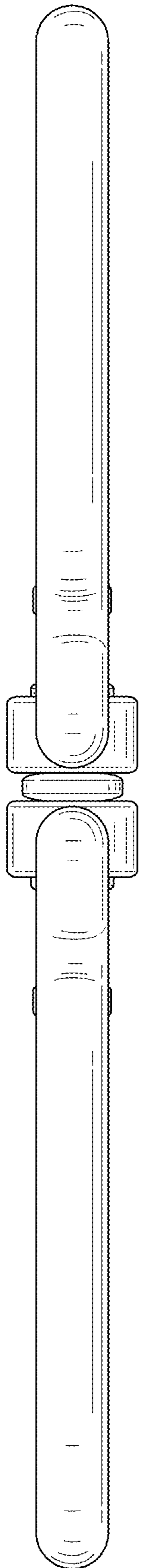


FIG. 4

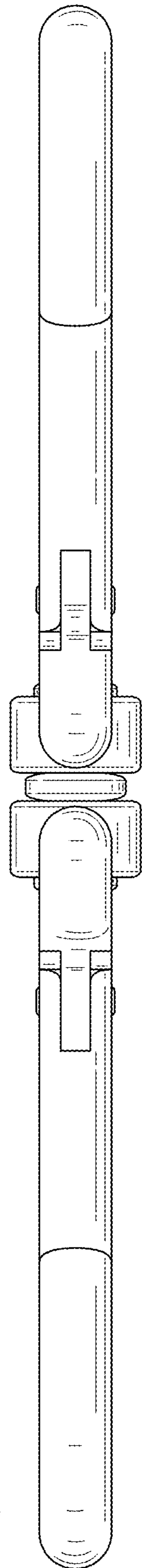


FIG. 5

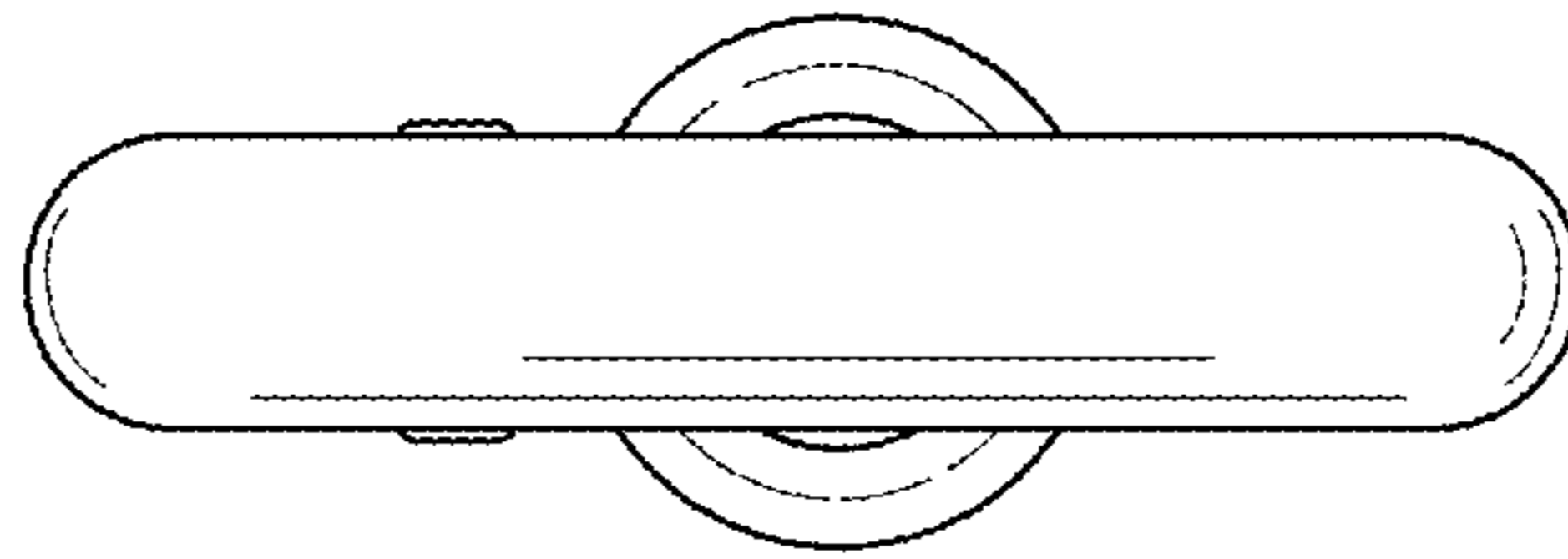


FIG. 6

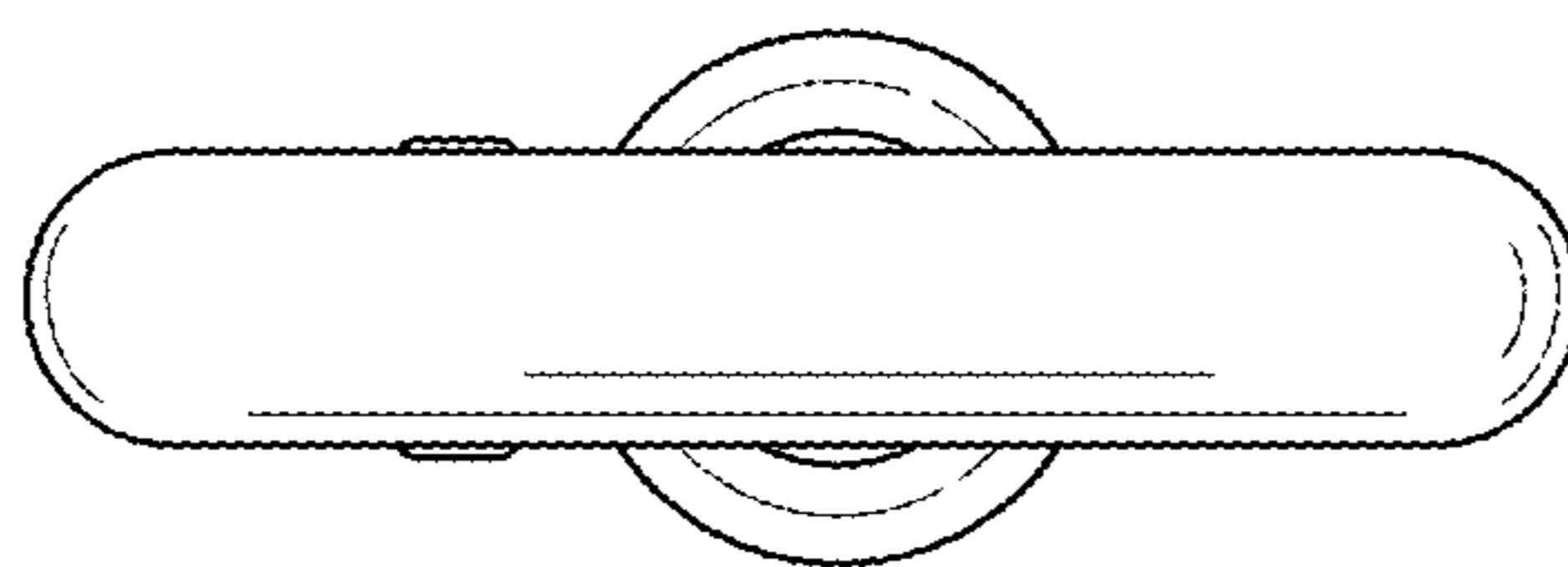


FIG. 7