



US00D769102S

(12) **United States Design Patent**
Euchner

(10) **Patent No.:** **US D769,102 S**
(45) **Date of Patent:** **** Oct. 18, 2016**

(54) **LOCKING SYSTEM**

(71) Applicant: **Euchner GmbH + Co. KG**,
Leinfelden-Echterdingen (DE)

(72) Inventor: **Stefan Euchner**, Stuttgart (DE)

(73) Assignee: **Euchner GmbH & Co. KG**,
Leinfelden-Echterdingen (DE)

(**) Term: **15 Years**

(21) Appl. No.: **29/537,557**

(22) Filed: **Aug. 27, 2015**

(30) **Foreign Application Priority Data**

Jul. 1, 2015 (EM) 002729111

(51) **LOC (10) Cl.** **08-07**

(52) **U.S. Cl.**
USPC **D8/331**

(58) **Field of Classification Search**
USPC D8/330, 331, 336, 339, 343, 349, 350,
D8/354, 382, 400, 300, 301, 302; 70/14,
70/51, 52, 57, 57.1, 67, 69, 78, 85, 86, 88,
70/141, 262, 263, 431, 218, 221, 203;
292/32, 358, 359, DIG. 68, DIG. 30,
292/137, 106, 108, 336.3

CPC E05B 3/00; E05B 9/00; E05B 2009/004;
E05B 47/00; E05B 55/00; E05B 15/00;
E05C 7/00; E05C 19/08

See application file for complete search history.

(56) **References Cited**

U.S. PATENT DOCUMENTS

5,987,945 A * 11/1999 Ruano
Aramburu E05B 47/0692
70/107
6,145,353 A * 11/2000 Doucet E05B 47/0692
70/149

6,733,050 B1 * 5/2004 Yao E05B 63/044
292/137
6,931,897 B2 * 8/2005 Talpe E05B 65/0841
292/215
6,932,392 B1 * 8/2005 Geislhardt E05B 65/0007
292/336.3
D545,172 S * 6/2007 Kaiser D8/331
D584,172 S * 1/2009 Soltani D10/39
8,016,329 B2 * 9/2011 Johansson E05B 13/002
292/108
D693,666 S * 11/2013 Gianoli D8/330
8,677,792 B2 * 3/2014 Wheeler E05B 17/0058
70/218
8,833,114 B2 * 9/2014 Szczygielski E05B 65/0021
70/203
D752,946 S * 4/2016 Shen D8/330

* cited by examiner

Primary Examiner — Prabhakar Deshmukh

(74) *Attorney, Agent, or Firm* — Michael Soderman

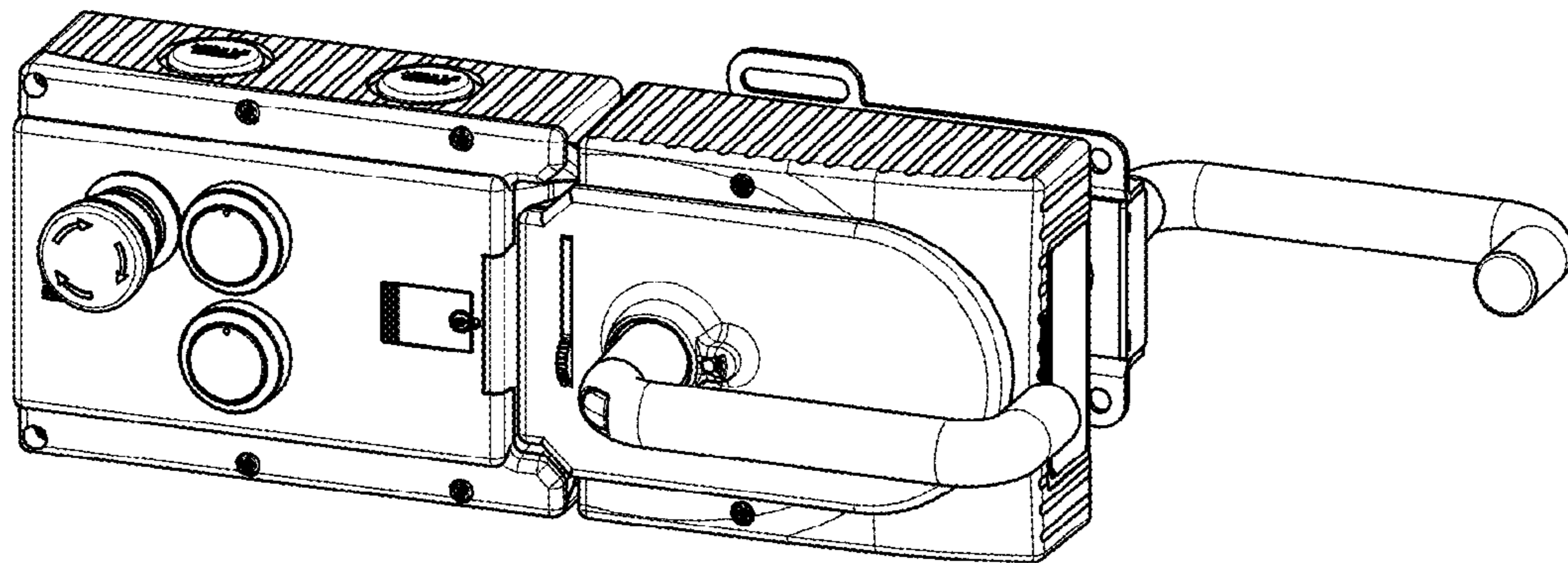
(57) **CLAIM**

The ornamental design for a locking system, as shown and described.

DESCRIPTION

FIG. 1 is a top, front and right perspective view of a locking system showing our new design;
FIG. 2 is a front elevational view thereof;
FIG. 3 is a rear elevational view thereof;
FIG. 4 is a left side elevational view thereof;
FIG. 5 is an enlarged right side elevational view thereof;
FIG. 6 is a top plan view thereof; and,
FIG. 7 is a bottom plan view thereof.
The broken lines illustrate unclaimed portions and form no part of the claimed design.

1 Claim, 7 Drawing Sheets



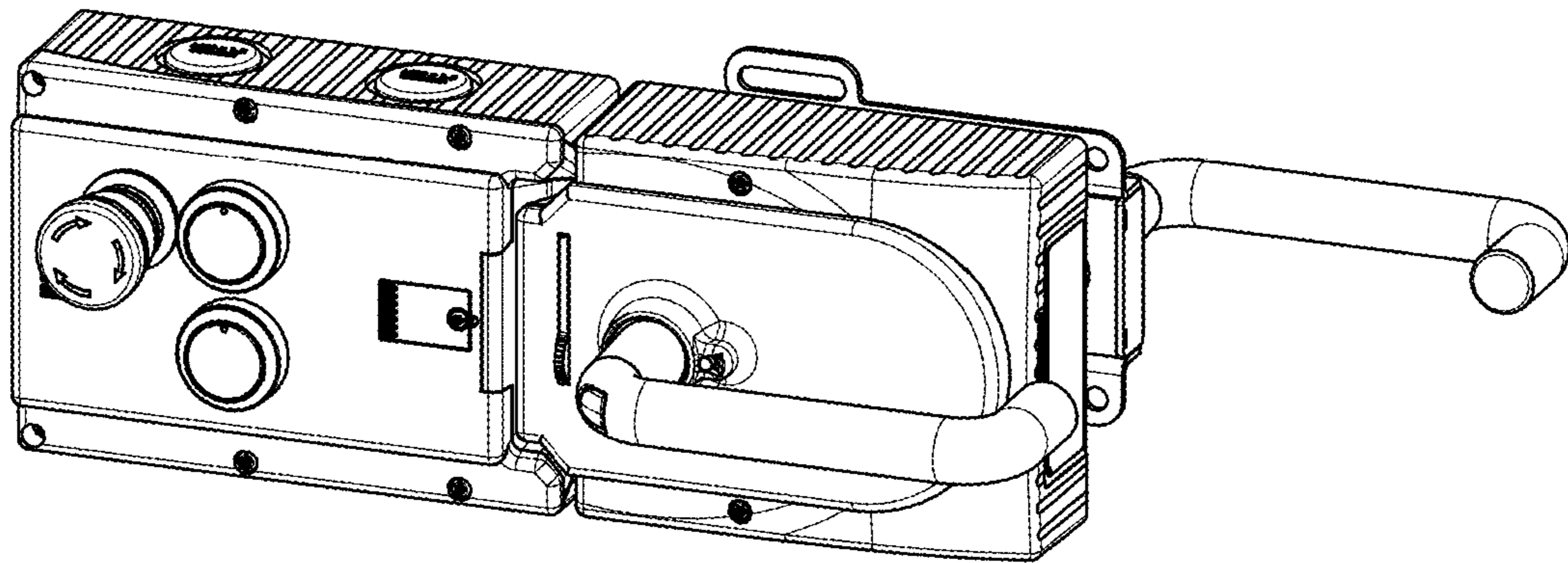


Fig. 1

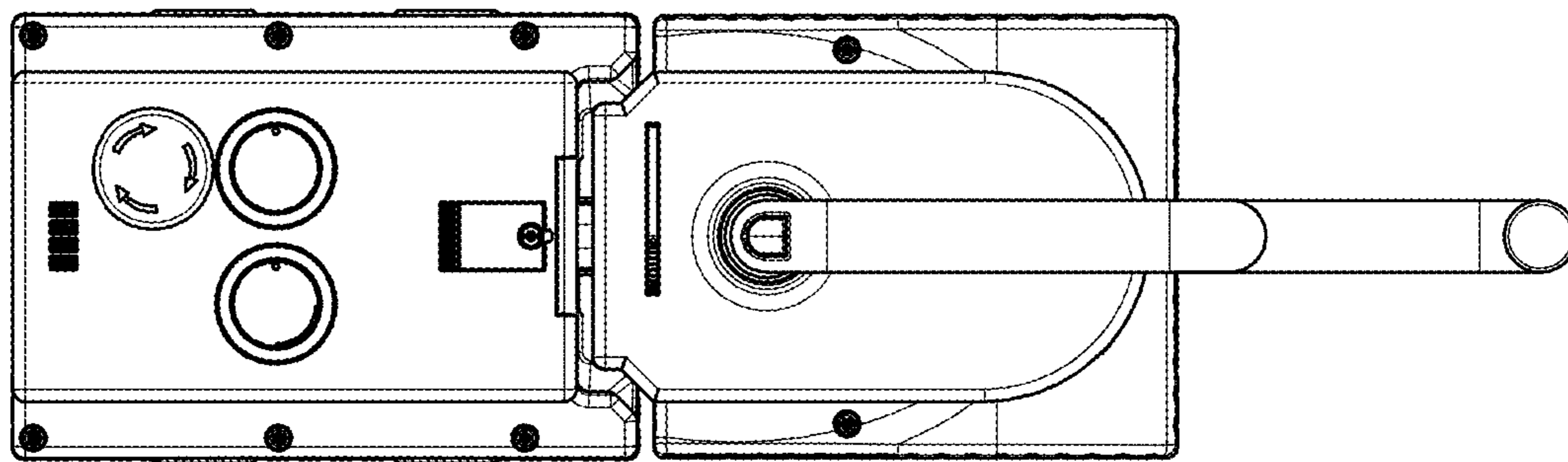


Fig. 2

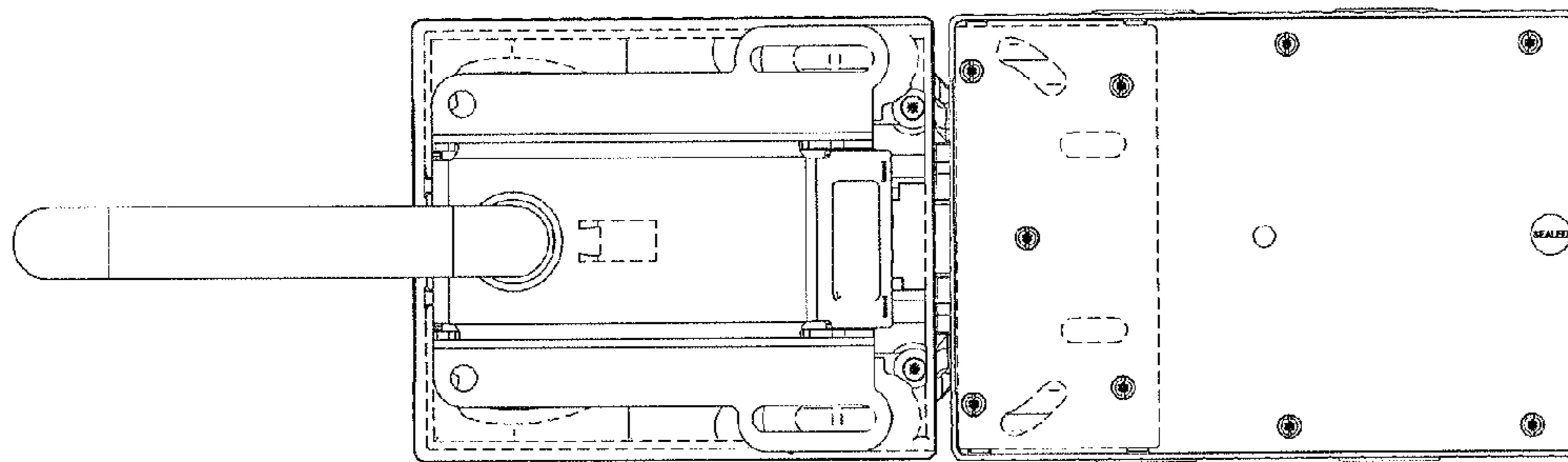


Fig. 3

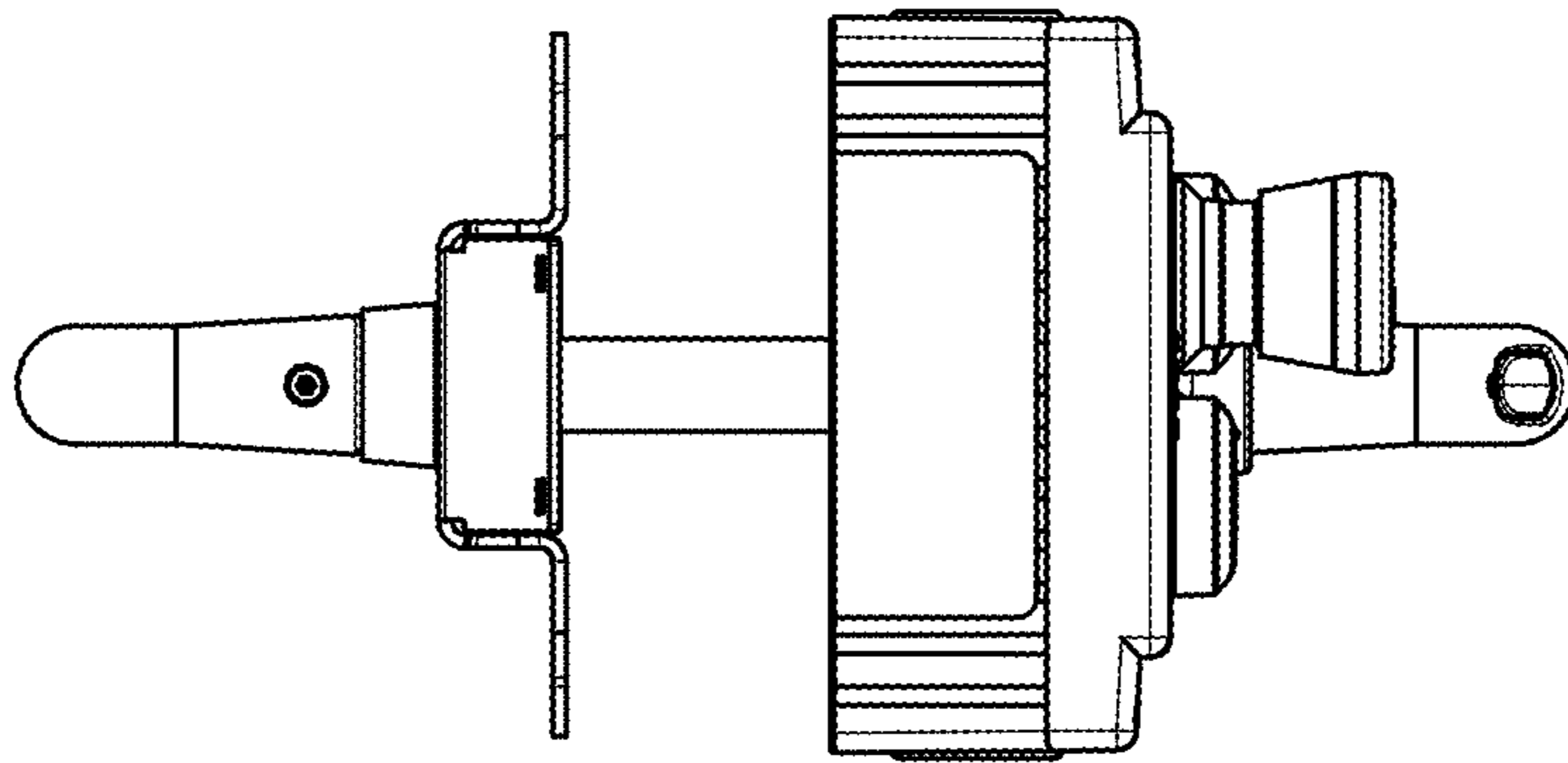


Fig. 4

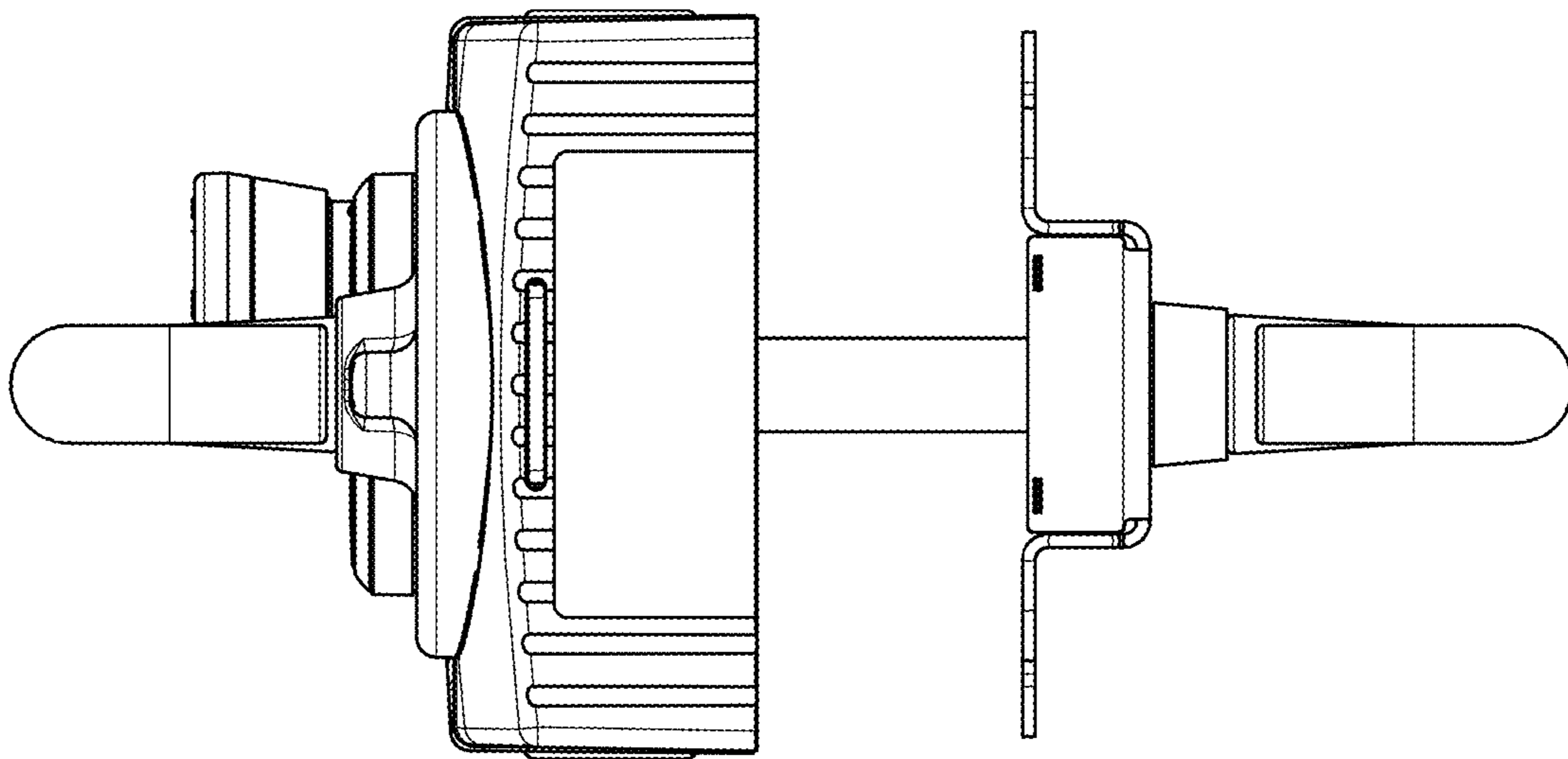


Fig. 5

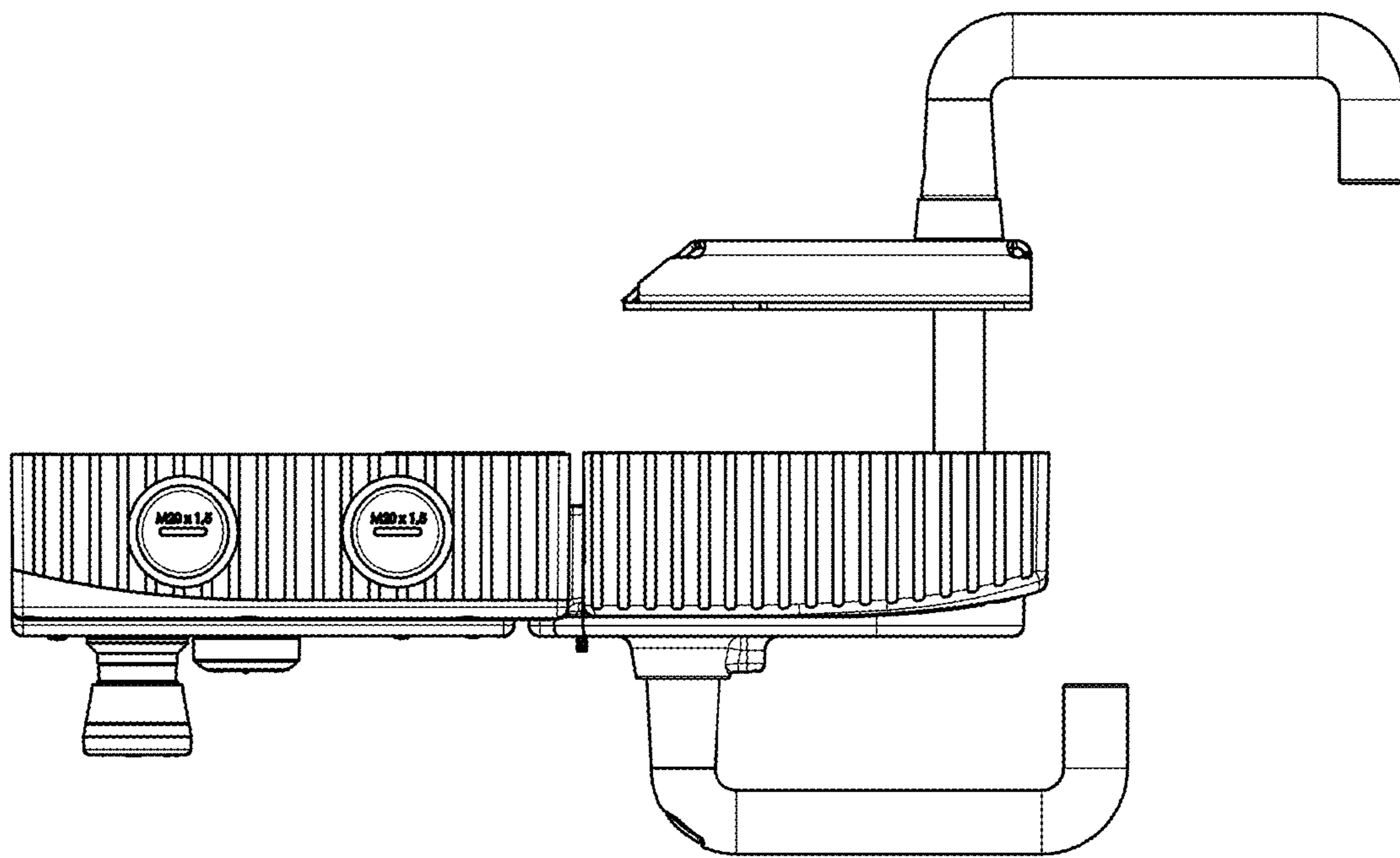


Fig. 6

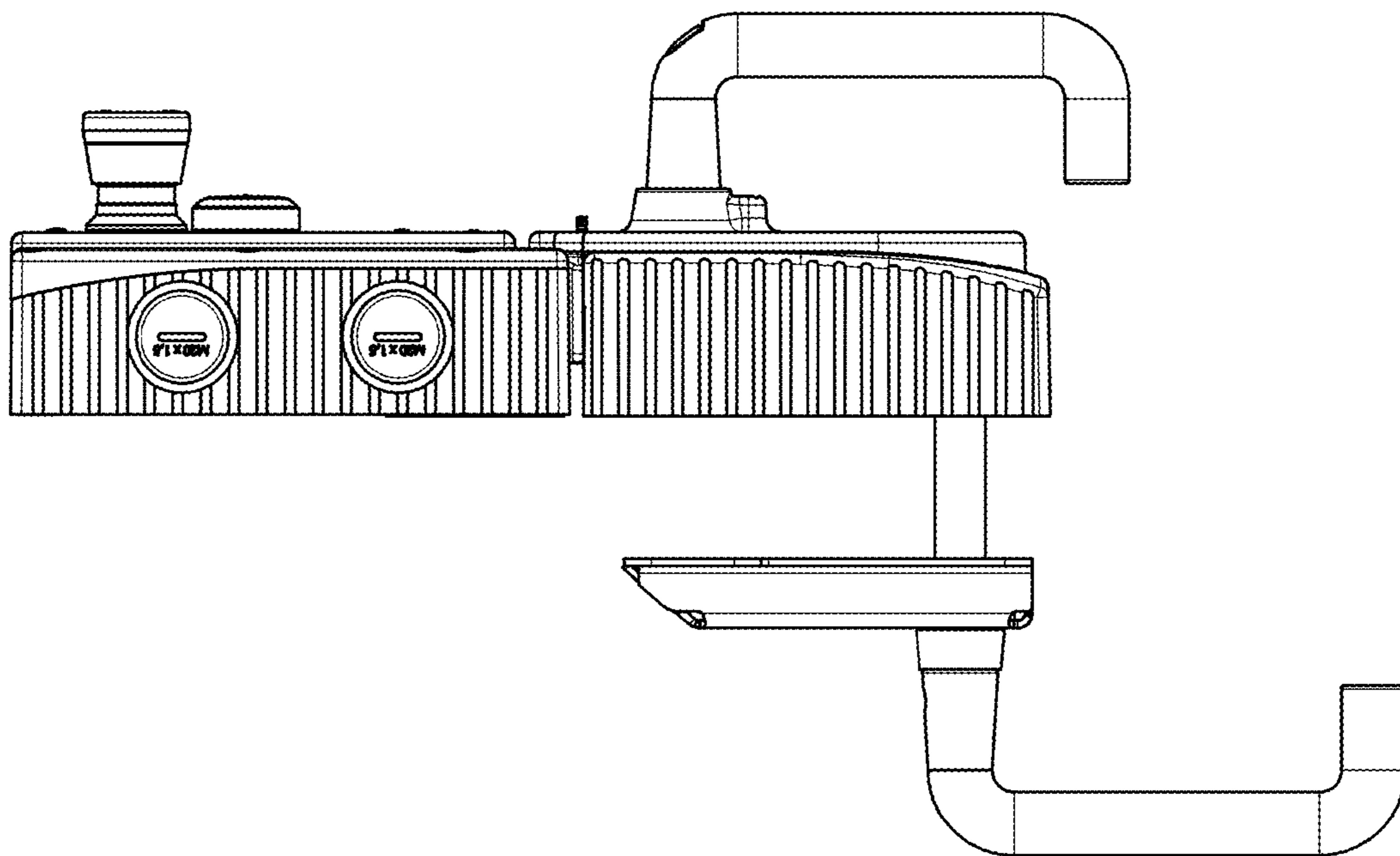


Fig. 7