



US00D769101S

(12) **United States Design Patent**
Zemel et al.

(10) **Patent No.:** **US D769,101 S**
(45) **Date of Patent:** **** Oct. 18, 2016**

- (54) **LOCKING MECHANISM FOR A HANDLE**
- (71) Applicant: **BLUE RHINO GLOBAL SOURCING, INC.**, Liberty, MO (US)
- (72) Inventors: **Marc Zemel**, Melville, NY (US);
Adam Schillen, Dix Hills, NY (US)
- (73) Assignee: **BLUE RHINO GLOBAL SOURCING, INC.**, Liberty, MO (US)
- (**) Term: **15 Years**
- (21) Appl. No.: **29/536,583**
- (22) Filed: **Aug. 18, 2015**
- (51) **LOC (10) Cl.** **08-06**
- (52) **U.S. Cl.**
USPC **D8/321; D8/339; D8/331**
- (58) **Field of Classification Search**
USPC D8/300, 302, 311, 321, 330, 331, 339,
D8/249, 343, 382, DIG. 9, DIG. 10; 70/141,
70/142, 207, 211, 218, 224, 431, 465, 466,
70/DIG. 12, DIG. 26, DIG. 31, DIG. 67,
70/DIG. 80; 292/336.3; 206/320;
220/273.1; D7/533, 642
CPC E05B 1/00; E05B 1/0038; E05B 9/00;
E05B 15/00; E05B 17/00; A47J 36/12
See application file for complete search history.

- (56) **References Cited**
U.S. PATENT DOCUMENTS
- 4,003,595 A * 1/1977 Fano A01K 23/005
294/1.5
- 4,989,848 A * 2/1991 Monroe A61G 13/0036
5/621
- 5,092,554 A * 3/1992 Gibbs B60K 17/00
248/339
- D520,338 S * 5/2006 Robert D8/339
- D524,633 S * 7/2006 Robert D8/339
- D616,722 S * 6/2010 Shin D8/339
- 7,900,786 B2 * 3/2011 Hepburn B61G 3/08
213/159
- D649,862 S * 12/2011 Arvinte D8/339

- 8,210,846 B2 * 7/2012 Duineveld A61C 17/0202
433/85
- 8,356,726 B2 * 1/2013 Romandy A47J 36/12
220/379
- 8,726,449 B2 * 5/2014 Gallardo B05C 17/0207
15/230.11
- 9,320,392 B2 * 4/2016 Aghamalian A47G 21/10
- D760,058 S * 6/2016 Laxamana D8/330

* cited by examiner

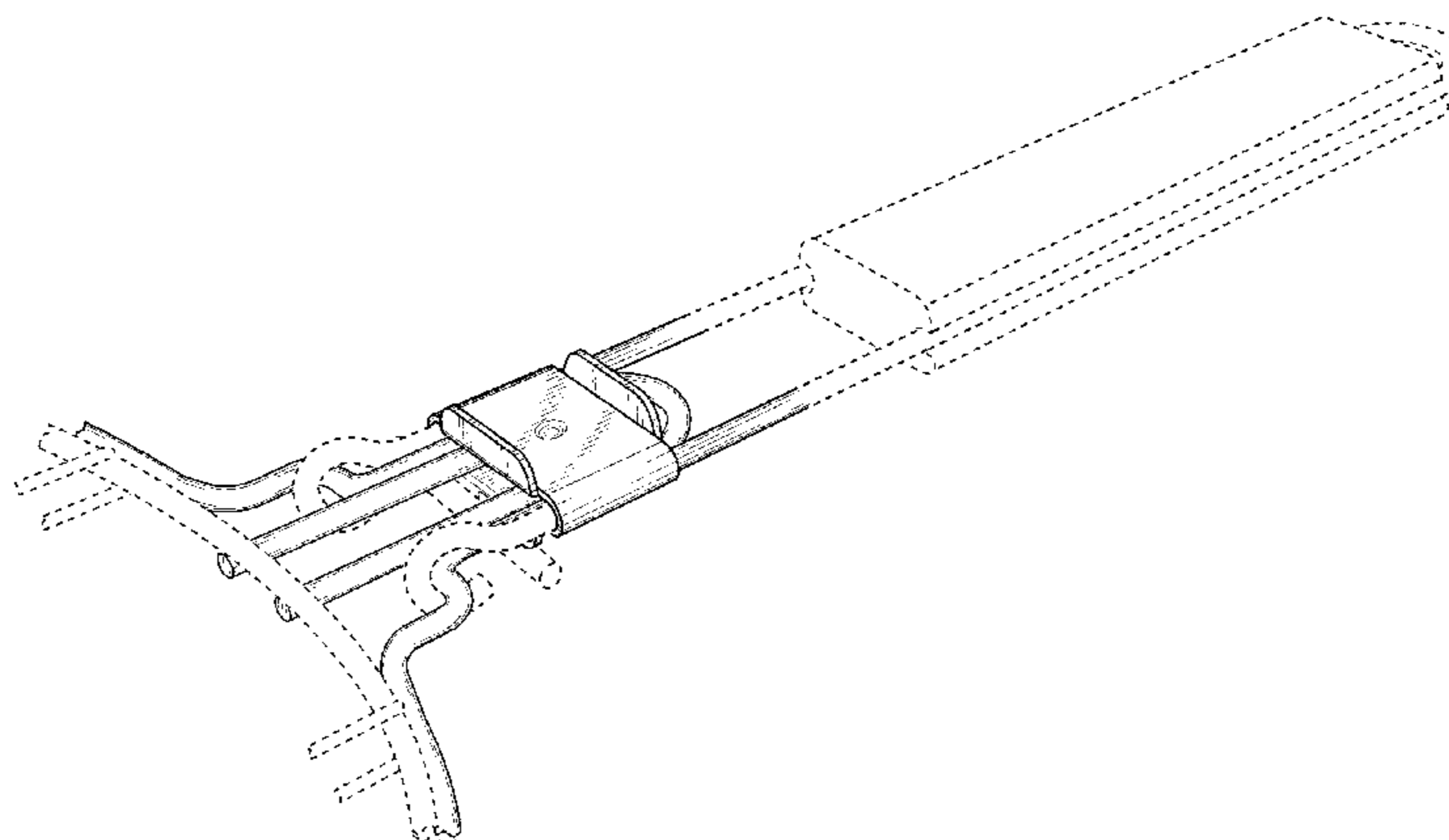
Primary Examiner — Prabhakar Deshmukh
(74) *Attorney, Agent, or Firm* — Carter, DeLuca,
Farrell & Schmidt, LLP

(57) **CLAIM**
The ornamental design for a locking mechanism for a handle, as shown and described.

DESCRIPTION

FIG. 1 is a perspective view of a locking mechanism for a handle showing our new design, shown in closed configuration;
FIG. 2 is a left side elevational view thereof;
FIG. 3 is a right side elevational view thereof;
FIG. 4 is a front side elevational view thereof;
FIG. 5 is a rear side elevational view thereof;
FIG. 6 is a top plan view thereof;
FIG. 7 is a bottom plan view thereof;
FIG. 8 is a perspective view a locking mechanism for a handle of FIG. 1, shown in an open configuration;
FIG. 9 is a left side elevational view in accordance with FIG. 8;
FIG. 10 is a right side elevational view in accordance with FIG. 8;
FIG. 11 is a front side elevational view in accordance with FIG. 8;
FIG. 12 is a rear side elevational view in accordance with FIG. 8;
FIG. 13 is a top plan view in accordance with FIG. 8; and,
FIG. 14 is a bottom plan view in accordance with FIG. 8.
The broken lines shown in the drawings illustrate portions of the locking mechanism for a handle that form no part of the claimed design.

1 Claim, 10 Drawing Sheets



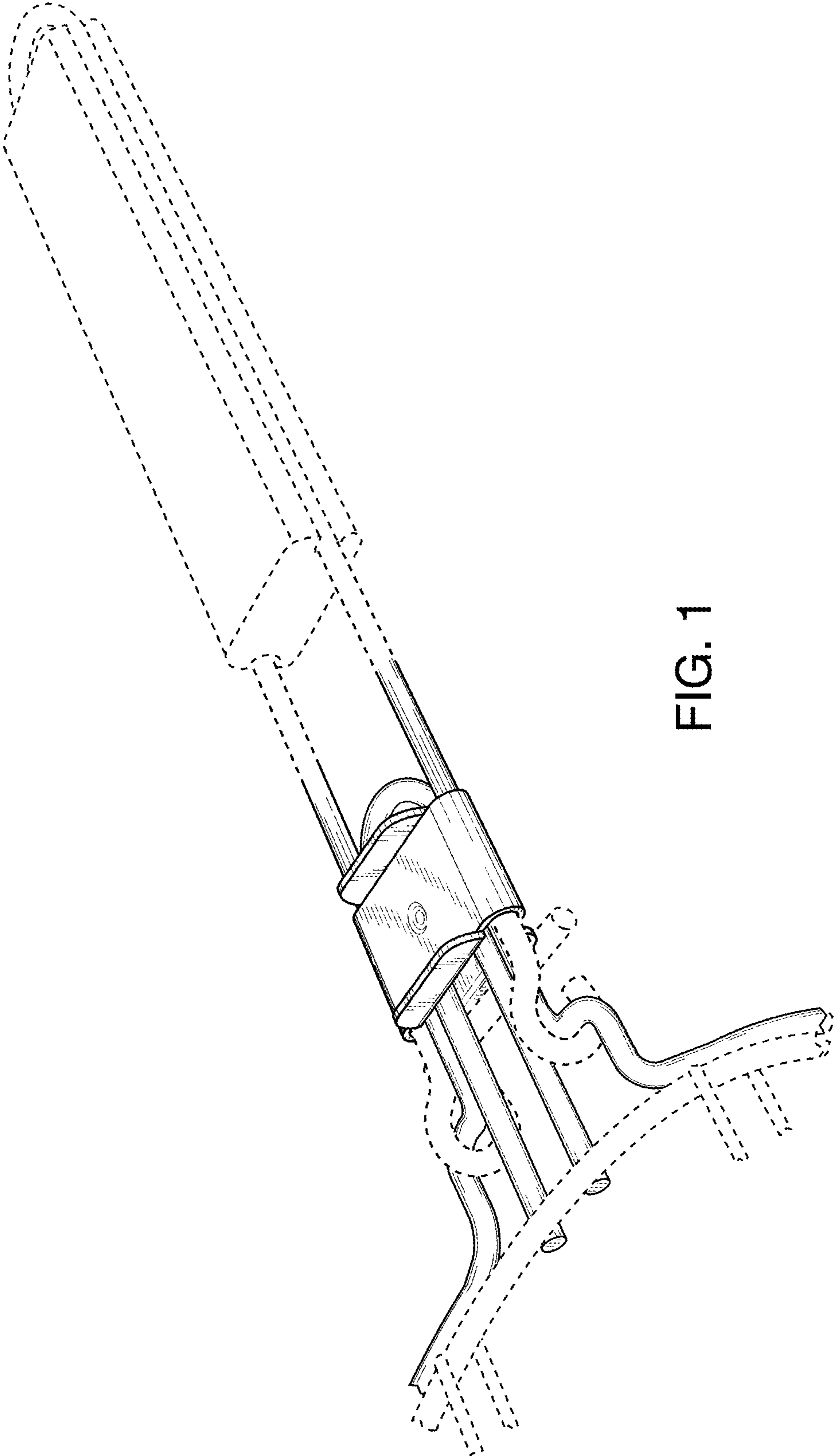


FIG. 1

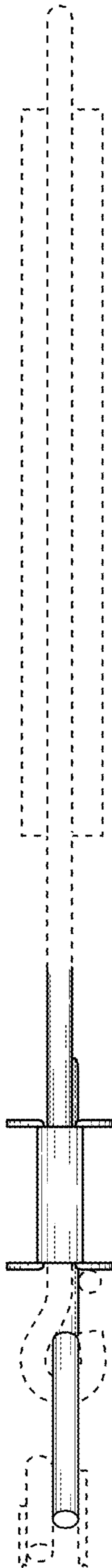


FIG. 2

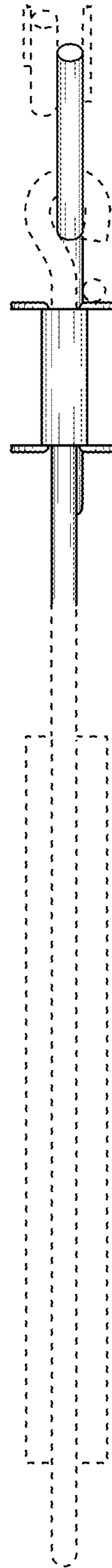


FIG. 3

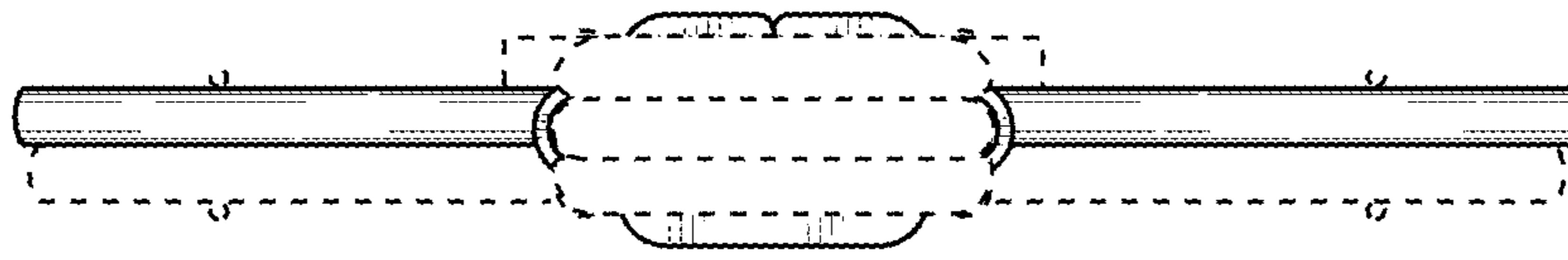


FIG. 5

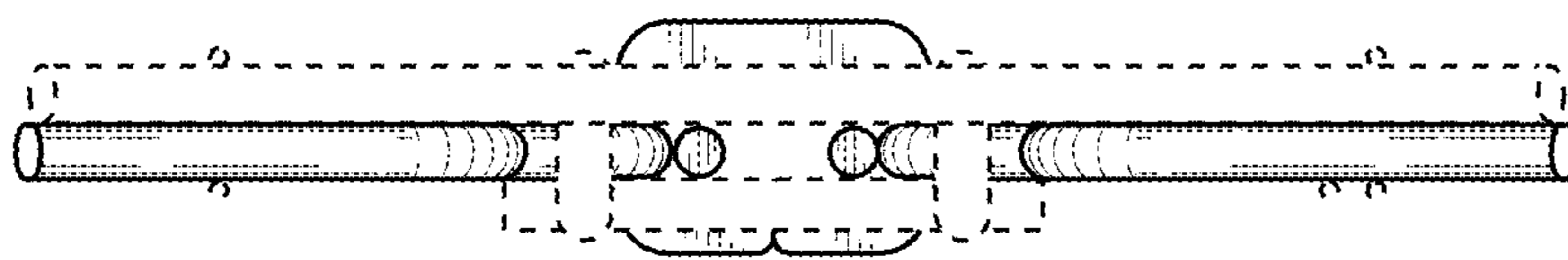


FIG. 4

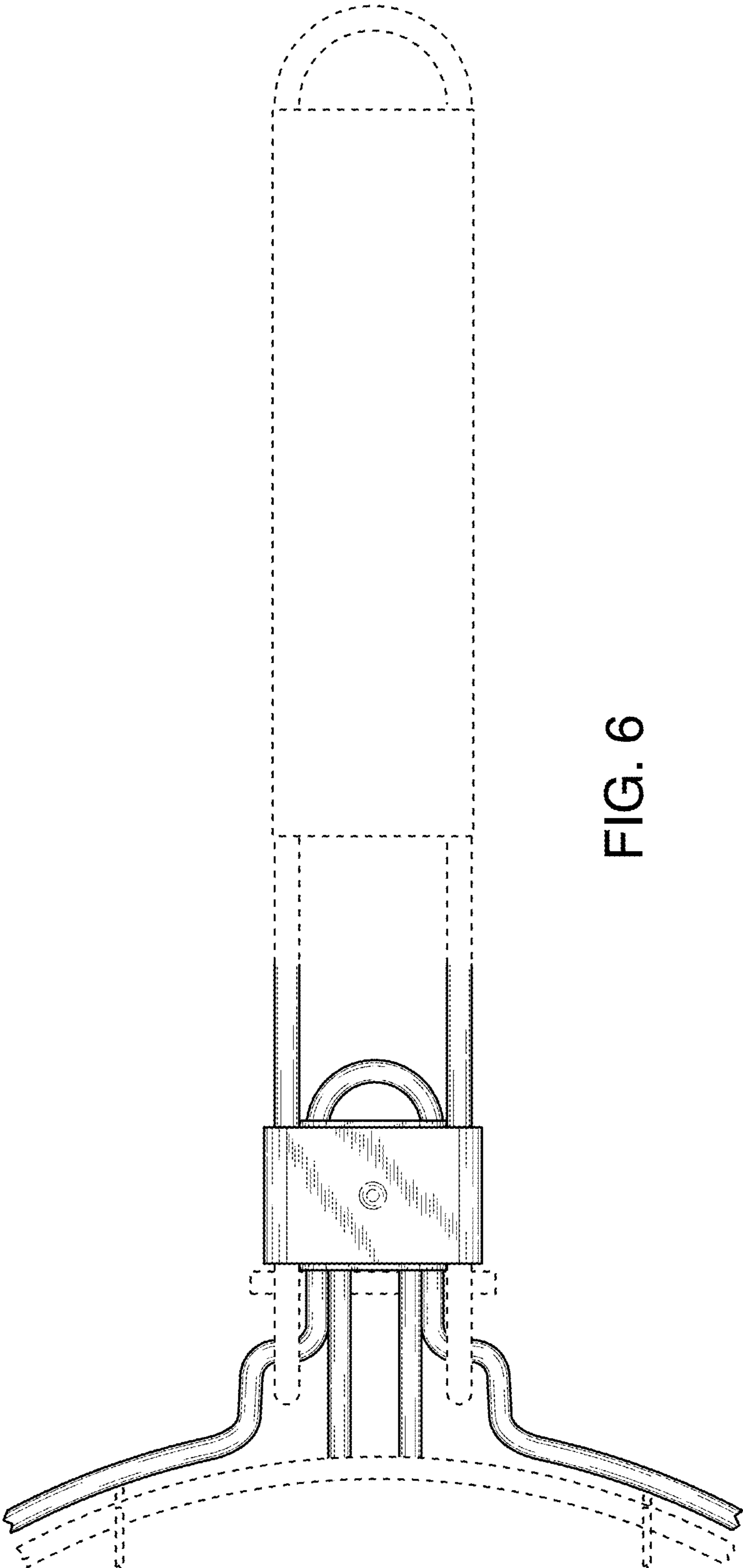


FIG. 6

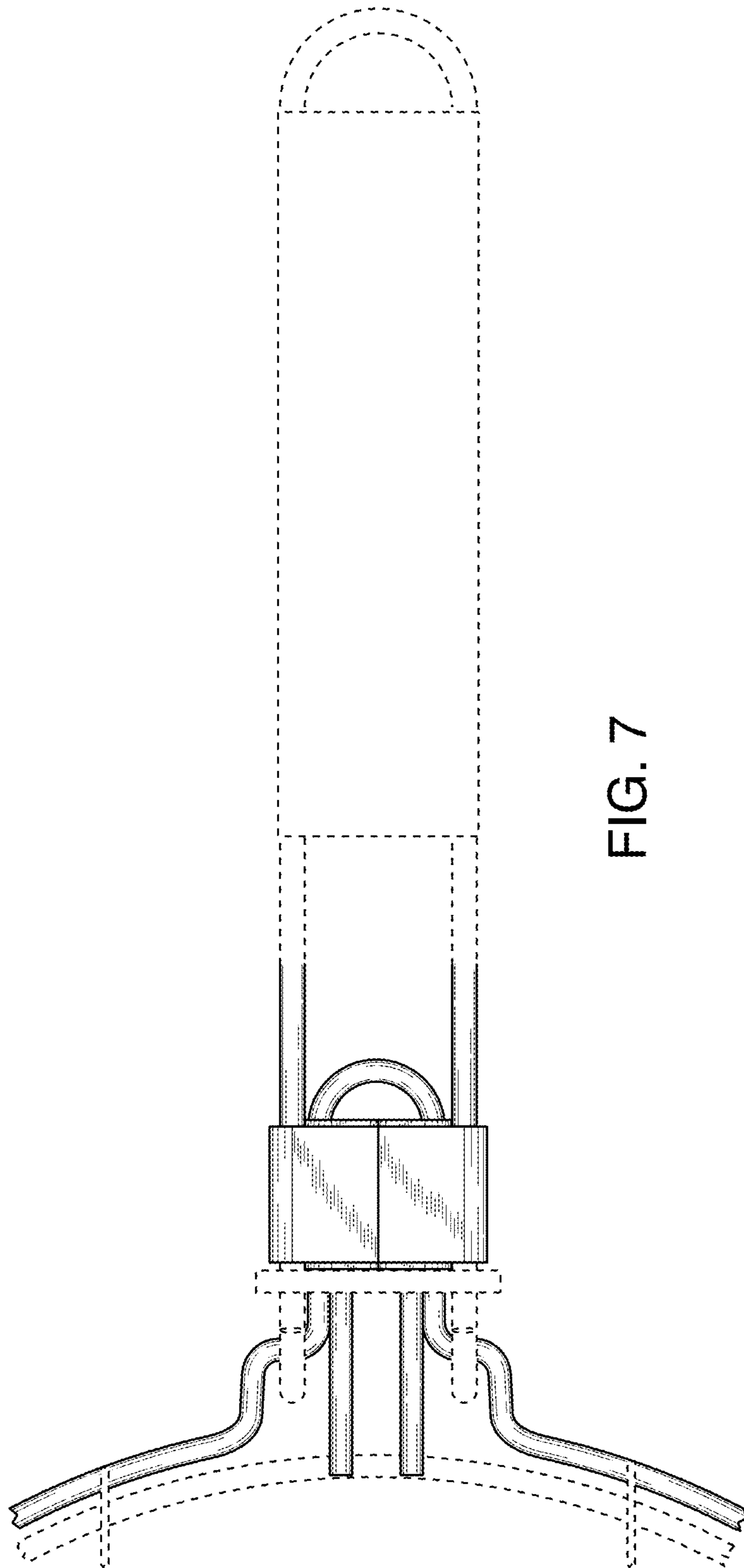


FIG. 7

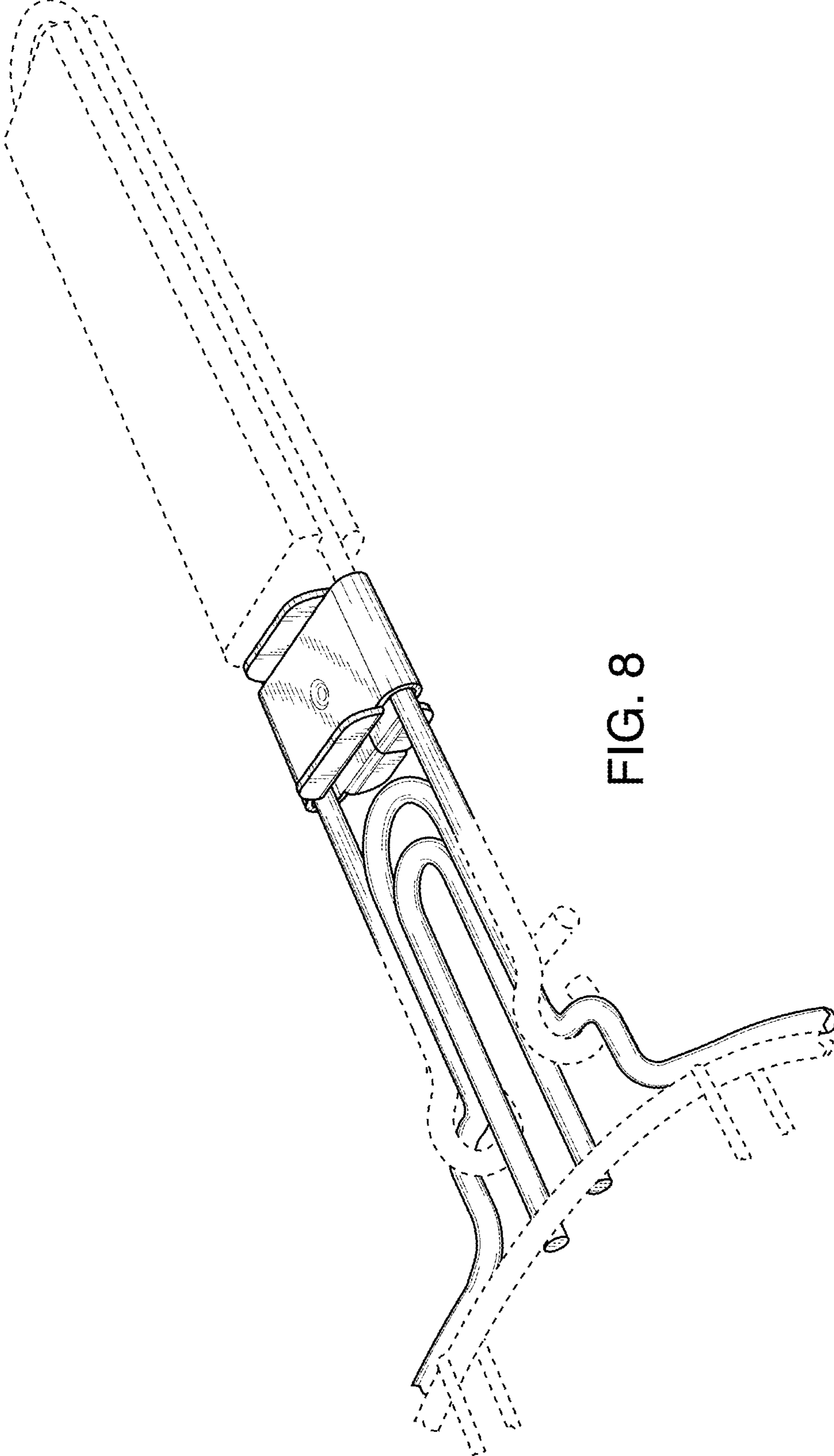


FIG. 8

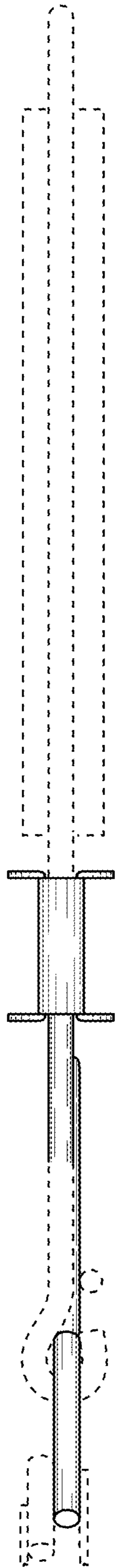


FIG. 9

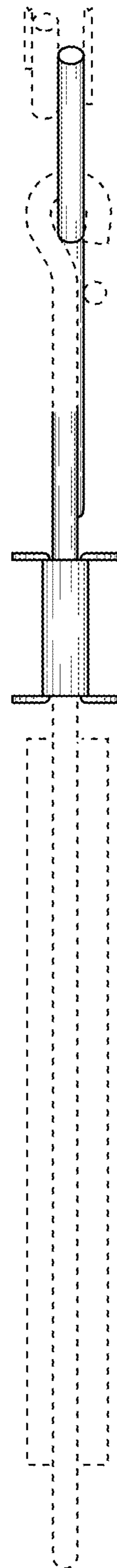


FIG. 10

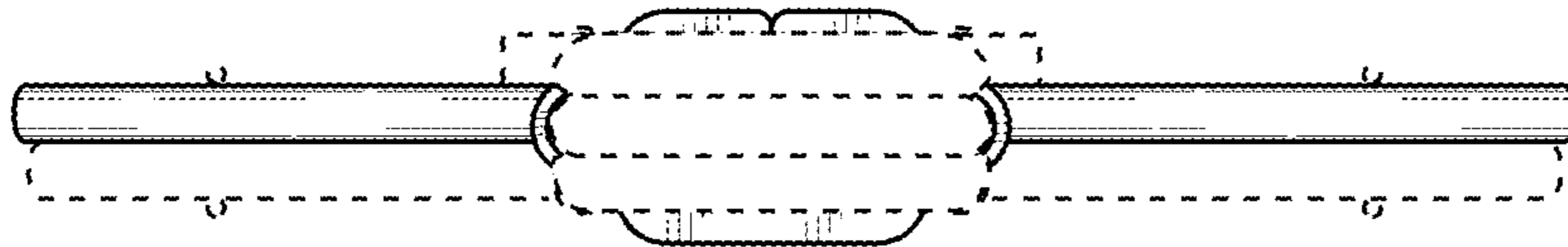


FIG. 12

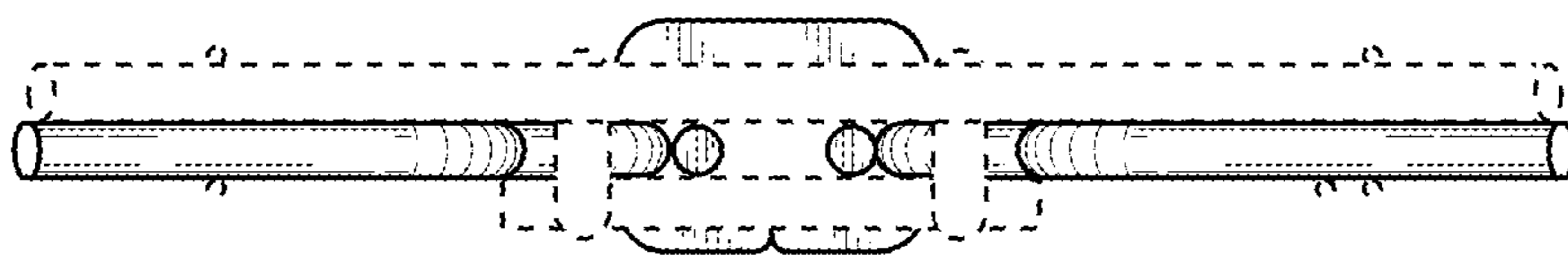


FIG. 11

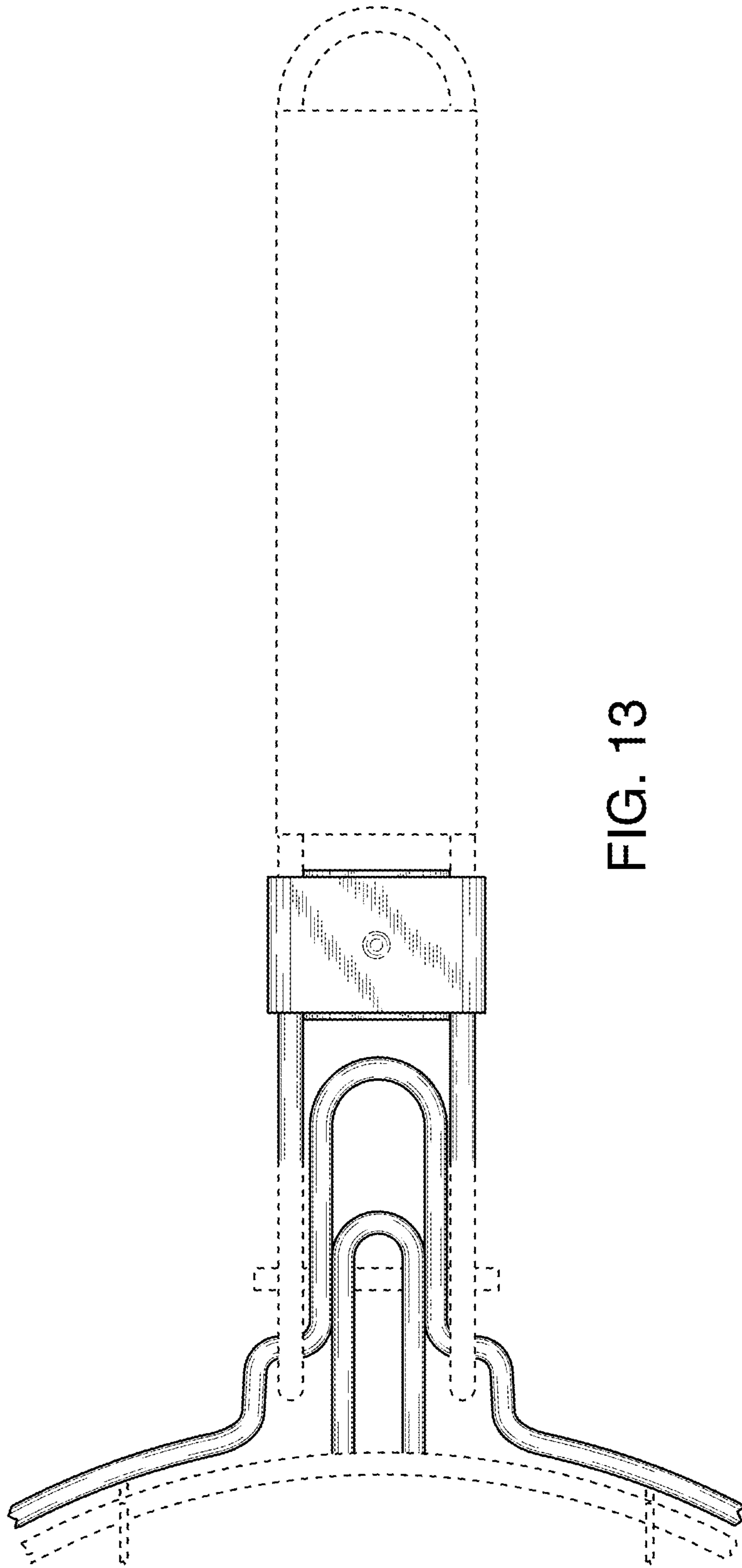


FIG. 13

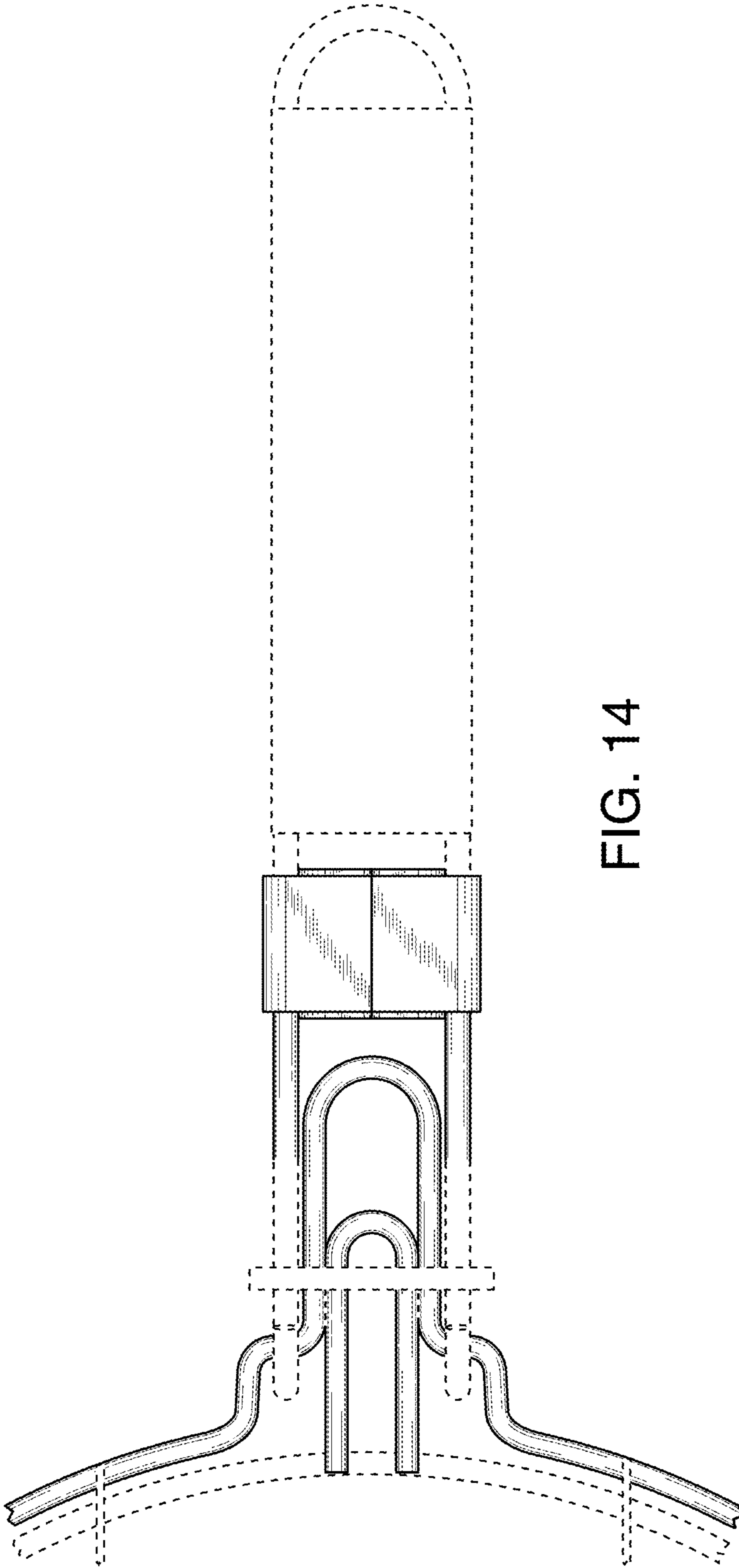


FIG. 14