



US00D769100S

(12) **United States Design Patent** (10) **Patent No.:** **US D769,100 S**
Allen et al. (45) **Date of Patent:** **** Oct. 18, 2016**

(54) **UTILITY BAR**

(71) Applicant: **Milwaukee Electric Tool Corporation**, Brookfield, WI (US)

(72) Inventors: **Joel Allen**, Winton, CA (US); **Mark R. Martinez**, Atwater, CA (US); **Timothy Albrecht**, Menomonee Falls, WI (US)

(73) Assignee: **MILWAUKEE ELECTRIC TOOL CORPORATION**, Brookfield, WI (US)

(**) Term: **15 Years**

(21) Appl. No.: **29/536,292**

(22) Filed: **Aug. 14, 2015**

Related U.S. Application Data

(63) Continuation of application No. 29/477,978, filed on Dec. 30, 2013, now Pat. No. Des. 737,650, which is a continuation of application No. 13/683,956, filed on Nov. 21, 2012, now Pat. No. 8,646,138, which is a continuation of application No. 12/614,071, filed on Nov. 6, 2009, now Pat. No. 8,365,332.

(51) **LOC (10) Cl.** **08-05**

(52) **U.S. Cl.**
USPC **D8/105**

(58) **Field of Classification Search**
USPC D7/693; D8/14, 16, 27, 88, 89, 105;
D32/46; 7/166; 254/25
CPC B66F 15/00; B25F 1/00; B25C 11/00;
E04D 15/00
See application file for complete search history.

(56) **References Cited**

U.S. PATENT DOCUMENTS

888,841 A 5/1908 Naudain
2,382,831 A 8/1945 Tabellione

(Continued)

OTHER PUBLICATIONS

United States Patent Office Action for U.S. Appl. No. 12/614,071 dated Mar. 13, 2012 (6 pages).

(Continued)

Primary Examiner — Susan Bennett Hattan

Assistant Examiner — Leanne Was

(74) *Attorney, Agent, or Firm* — Michael Best & Friedrich LLP

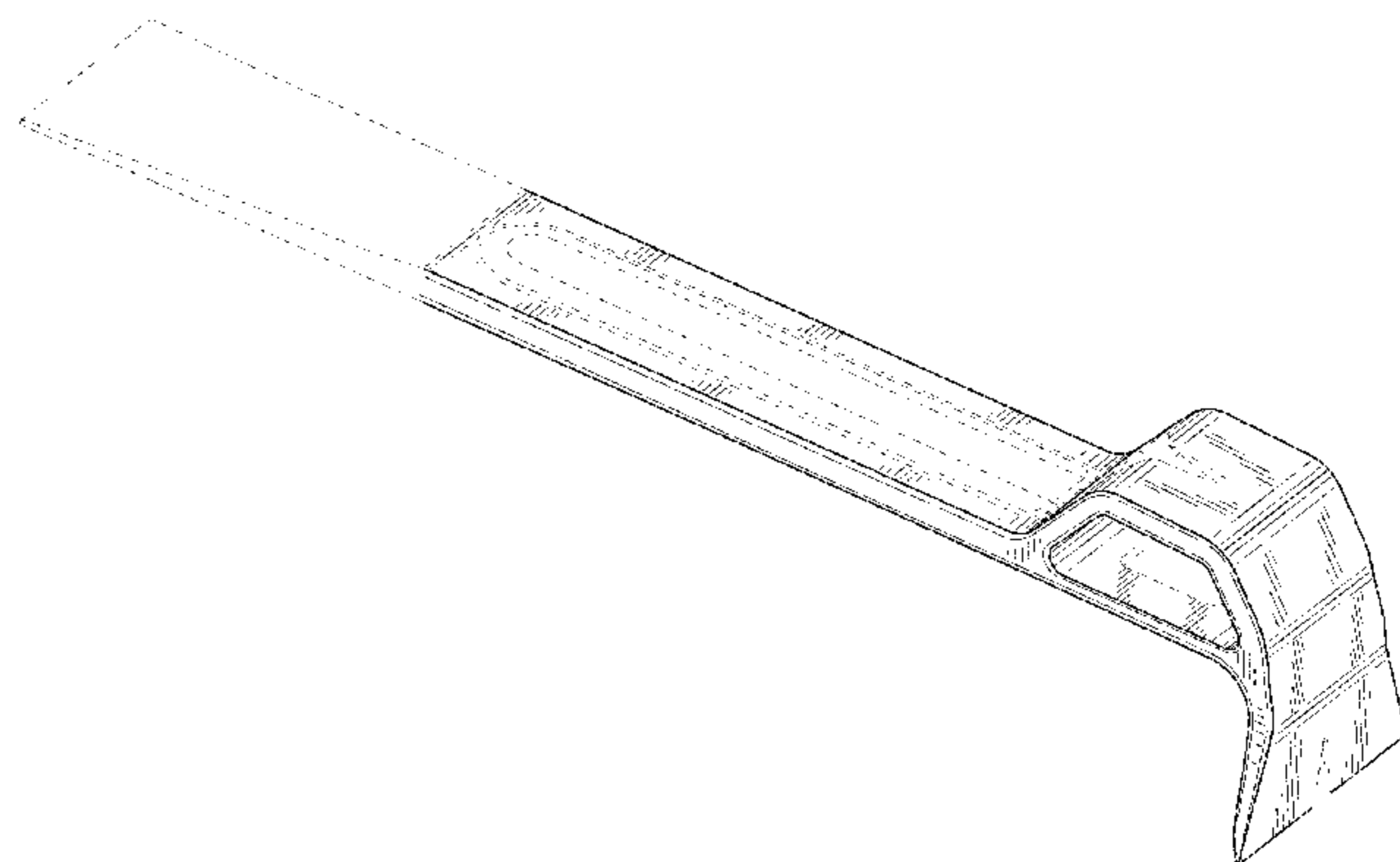
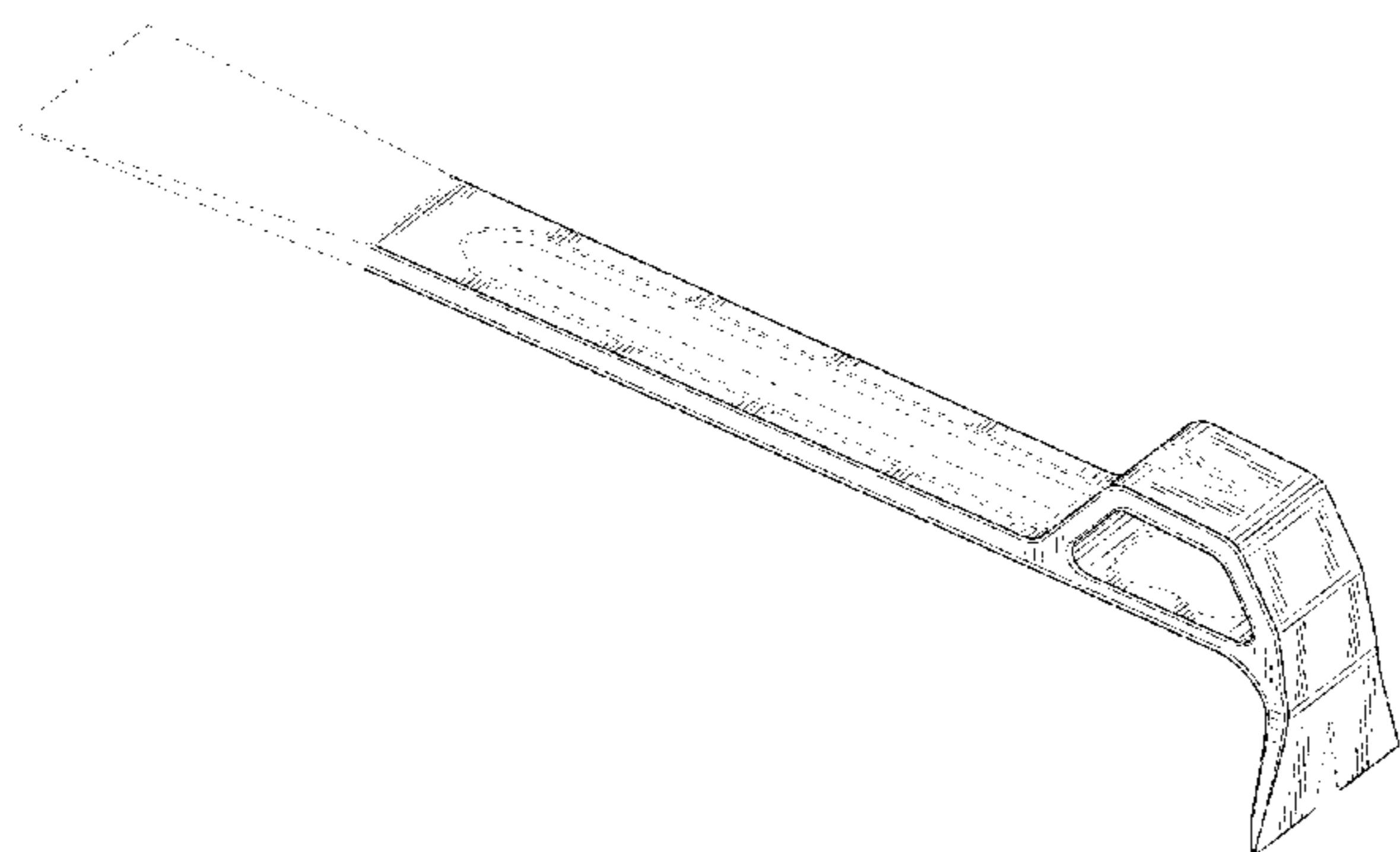
(57) **CLAIM**

We claim the ornamental design for a utility bar, as shown and described.

DESCRIPTION

FIG. 1 is a perspective view of a utility bar.
FIG. 2 is a top view of the utility bar shown in FIG. 1.
FIG. 3 is a bottom view of the utility bar shown in FIG. 1.
FIG. 4 is a right side view of the utility bar shown in FIG. 1.
FIG. 5 is a left side view of the utility bar shown in FIG. 1.
FIG. 6 is a front view of the utility bar shown in FIG. 1.
FIG. 7 is a rear view of the utility bar shown in FIG. 1.
FIG. 8 is a perspective view of a utility bar.
FIG. 9 is a top view of the utility bar shown in FIG. 8.
FIG. 10 is a bottom view of the utility bar shown in FIG. 8.
FIG. 11 is a right side view of the utility bar shown in FIG. 8.
FIG. 12 is a left side view of the utility bar shown in FIG. 8.
FIG. 13 is a front view of the utility bar shown in FIG. 8; and,
FIG. 14 is a rear view of the utility bar shown in FIG. 8.
The broken lines depict portions of the utility bar that form no part of the claimed design.

1 Claim, 8 Drawing Sheets



(56)

References Cited

U.S. PATENT DOCUMENTS

2,863,635 A 12/1958 Fandrich
 D226,057 S 1/1973 Grindlinger
 4,745,651 A 5/1988 Schellenger
 4,831,901 A 5/1989 Kinne
 4,944,203 A 7/1990 Miller
 D324,474 S 3/1992 Killins
 5,315,724 A 5/1994 Trujillo et al.
 5,526,719 A 6/1996 Chen
 5,695,172 A 12/1997 Hreha
 D390,082 S 2/1998 Higgs
 5,749,113 A 5/1998 Witter
 5,957,429 A 9/1999 Khachatoorian
 5,979,058 A 11/1999 Henke
 6,016,722 A 1/2000 Gierer et al.
 D440,854 S 4/2001 Killins
 D442,456 S 5/2001 Killins
 D444,690 S * 7/2001 Bond D8/16
 6,257,553 B1 7/2001 Khachatoorian
 6,397,420 B1 6/2002 Roxton
 6,421,860 B1 7/2002 Abbott
 6,427,274 B1 8/2002 Abbott
 6,497,399 B1 12/2002 Nelson
 6,536,308 B1 3/2003 Thorne et al.
 6,604,728 B1 8/2003 Boydon
 6,604,729 B2 8/2003 Fagan
 6,629,684 B2 10/2003 Youngren et al.
 6,655,236 B1 12/2003 Slack et al.
 6,678,909 B1 1/2004 Pyatt
 D506,118 S * 6/2005 Rau D8/89
 D507,167 S 7/2005 Richardson
 6,913,246 B1 7/2005 Skach
 6,923,432 B1 8/2005 Martinez
 6,988,711 B2 1/2006 Skach
 7,051,390 B2 5/2006 van Beek
 D525,506 S 7/2006 Downing, Jr.
 7,096,761 B2 8/2006 Schoor
 7,334,502 B1 2/2008 Durkee
 7,350,440 B2 4/2008 Casolco

7,438,279 B2 10/2008 Eby et al.
 7,503,545 B2 3/2009 Verbowski
 D627,617 S * 11/2010 Chambers D8/89
 8,365,332 B2 2/2013 Allen et al.
 8,567,760 B2 * 10/2013 Sindt B25C 11/00
 254/25
 8,646,138 B2 2/2014 Allen et al.
 D702,101 S * 4/2014 Vanderbeek D8/89
 D713,698 S * 9/2014 Maier D8/27
 D737,650 S * 9/2015 Allen D8/105
 2002/0092386 A1 7/2002 Lin
 2004/0261188 A1 12/2004 Marthis
 2005/0062026 A1 3/2005 Holcomb
 2005/0172415 A1 8/2005 Beek
 2005/0229322 A1 10/2005 Chiu et al.
 2006/0026800 A1 2/2006 Lawless
 2006/0075572 A1 4/2006 Young
 2007/0119279 A1 5/2007 Fisher et al.
 2007/0226913 A1 10/2007 Woolley et al.
 2008/0178393 A1 7/2008 Kinskey et al.
 2008/0217592 A1 * 9/2008 Chambers B25C 11/00
 254/25
 2008/0251773 A1 10/2008 Smeeton et al.
 2009/0000039 A1 1/2009 St. John et al.
 2009/0230369 A1 9/2009 Kurtz
 2010/0115705 A1 * 5/2010 Allen B66F 15/00
 7/166
 2013/0139326 A1 * 6/2013 Allen B66F 15/00
 7/151
 2013/0263382 A1 * 10/2013 Sindt B25F 1/00
 7/166

OTHER PUBLICATIONS

<http://web.archive.org/web/20100329045048/http://www.acetoolonline.com/Stiletto-FB5-Titanium-Pry-Bar-p/sti-fb5.htm>
 available as early as Mar. 29, 2010.
<http://www.amazon.com/Stiletto-FB5-Titanium-Multifunctional-Flatbar/dp/B002EJ5AZA> available beginning Jun. 24, 2009.

* cited by examiner

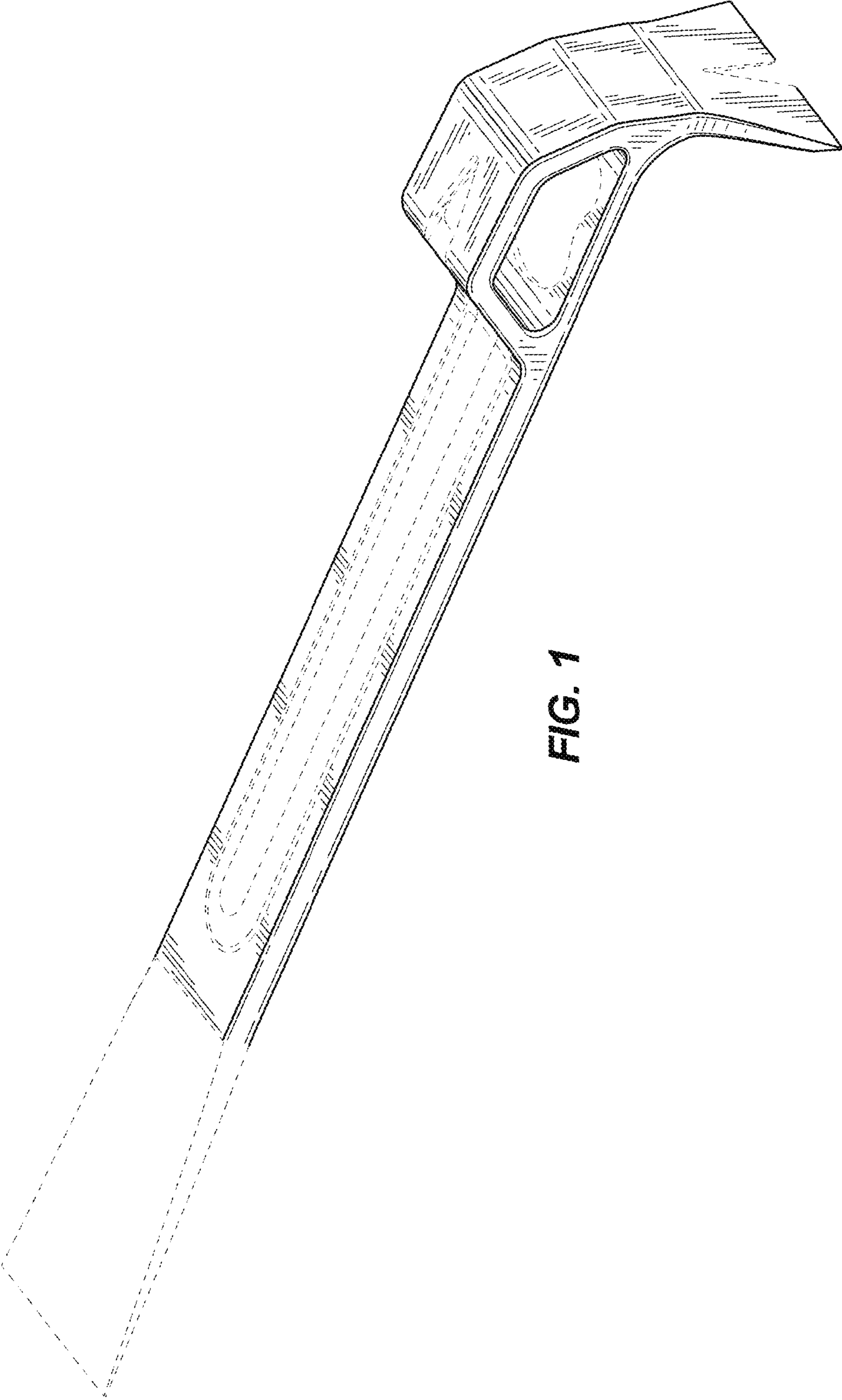


FIG. 1

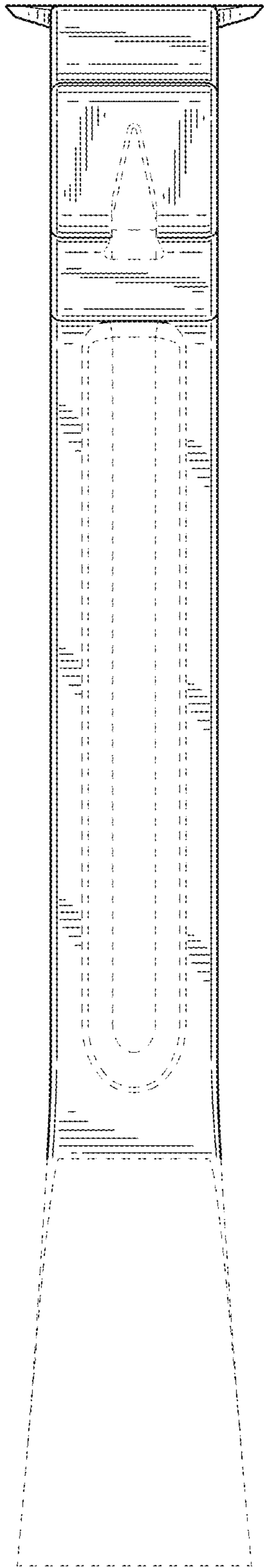


FIG. 2

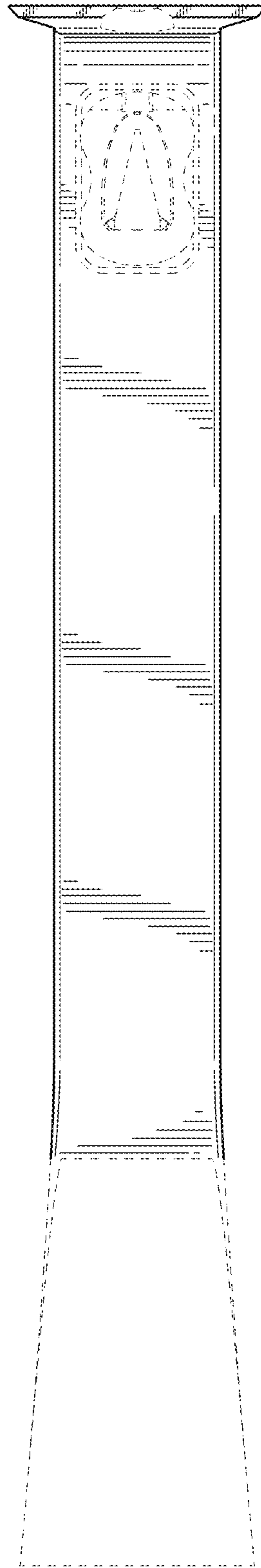


FIG. 3

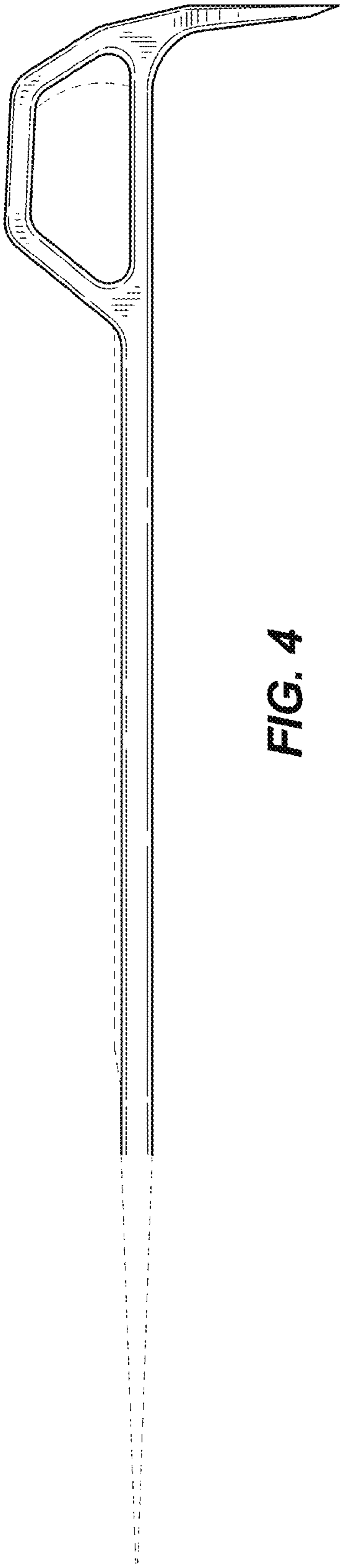


FIG. 4

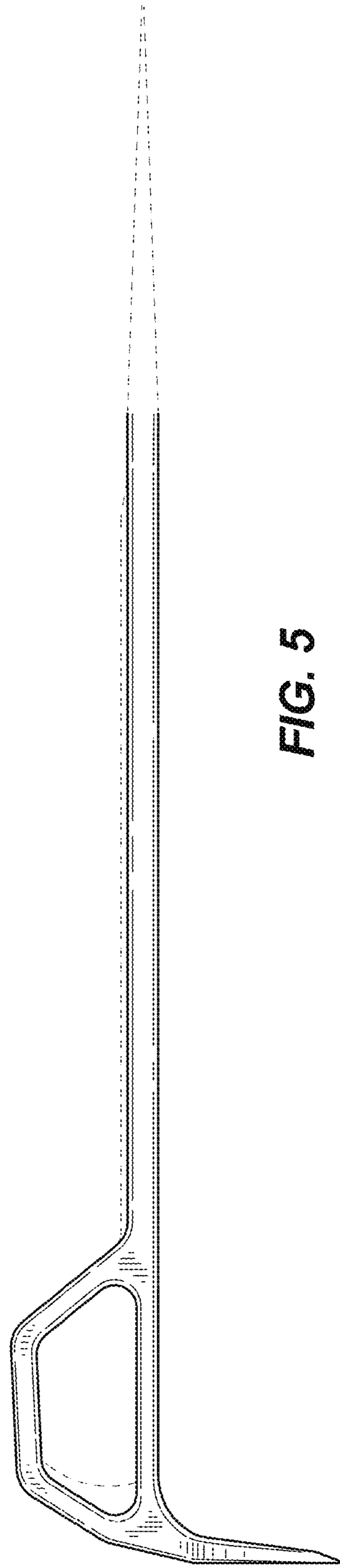


FIG. 5

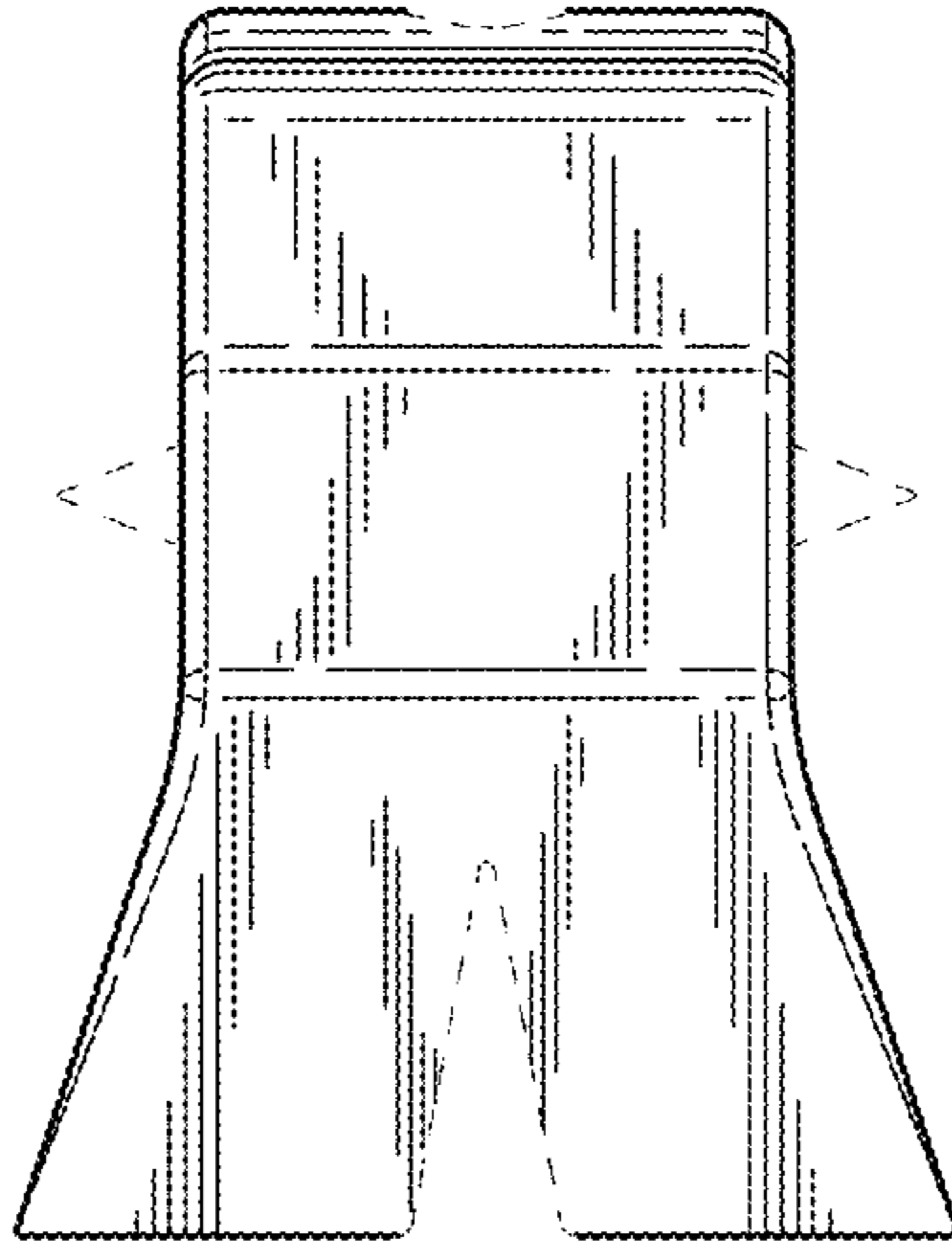


FIG. 6

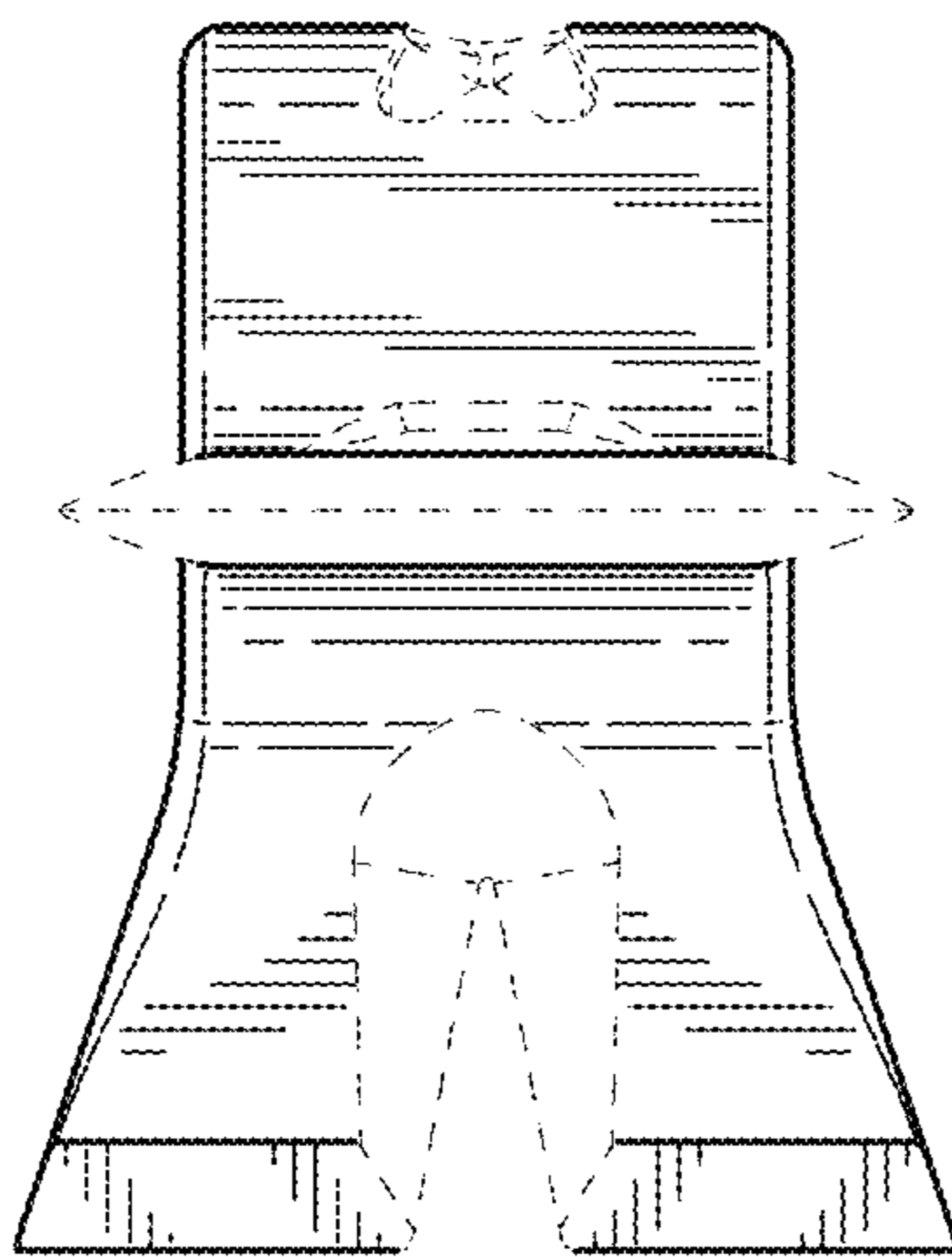


FIG. 7

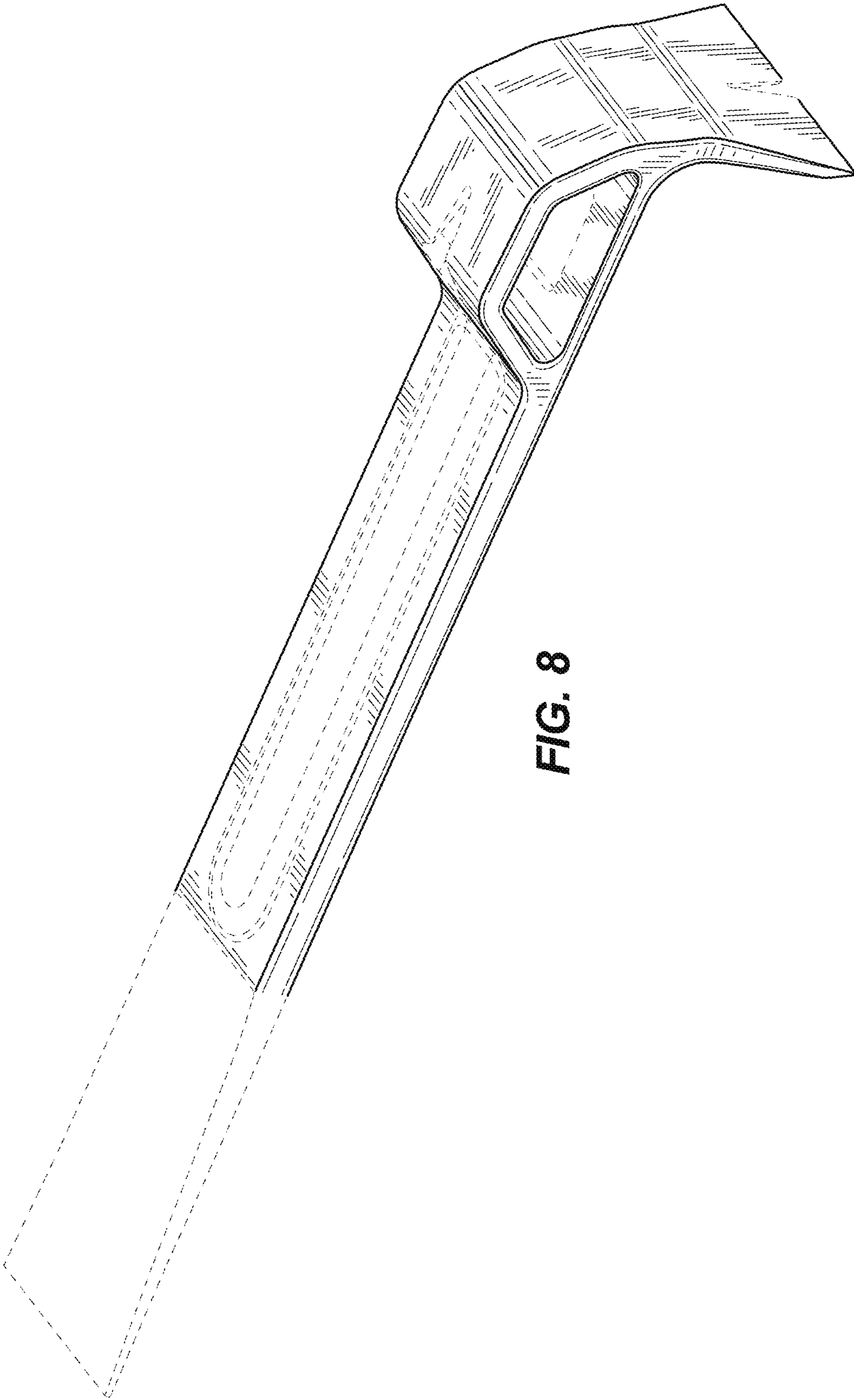


FIG. 8

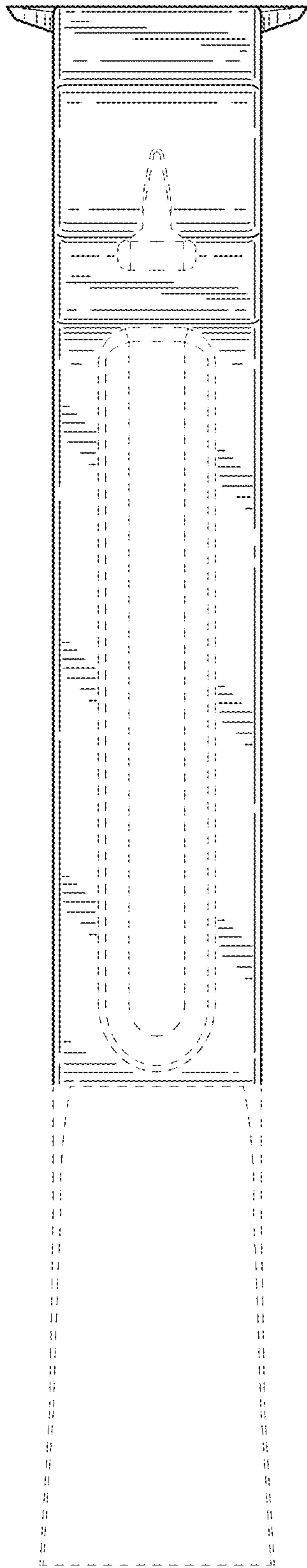


FIG. 9

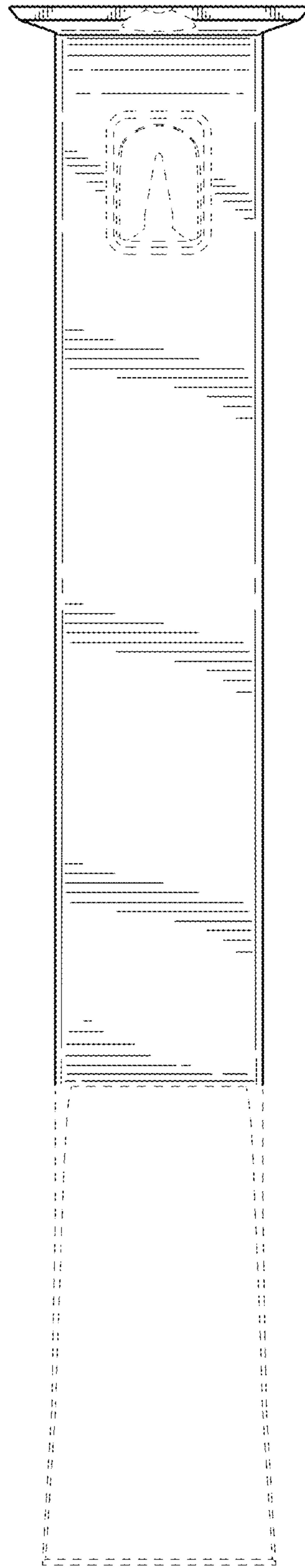


FIG. 10

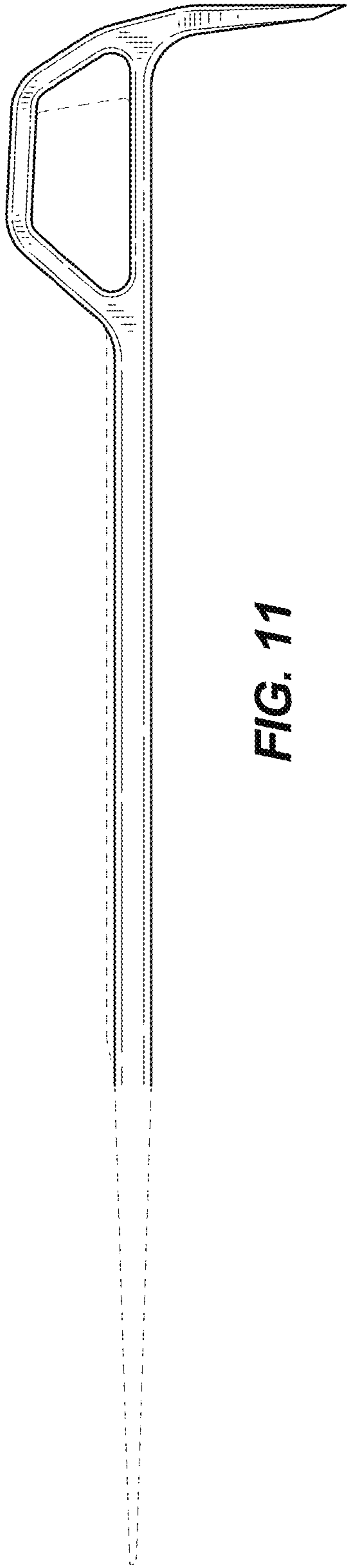


FIG. 11

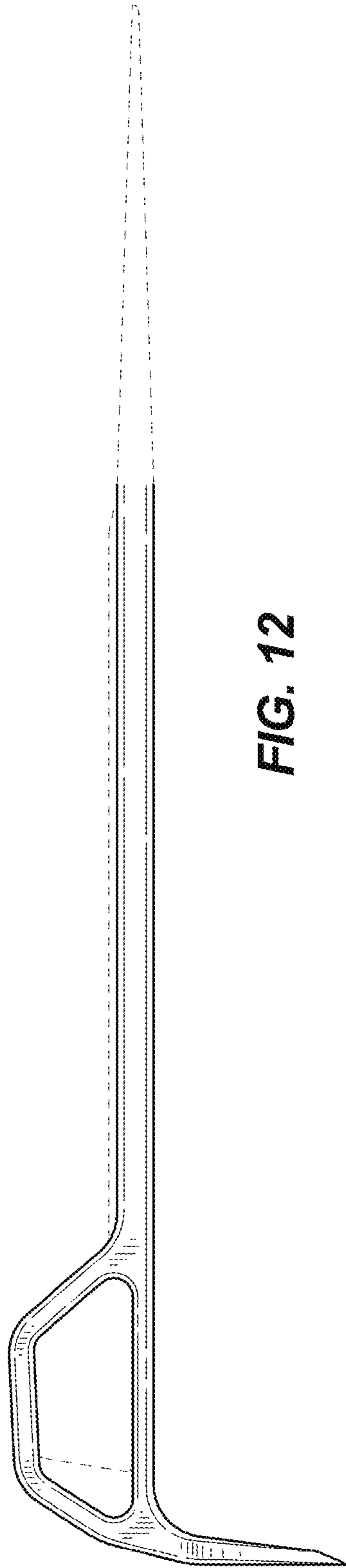


FIG. 12

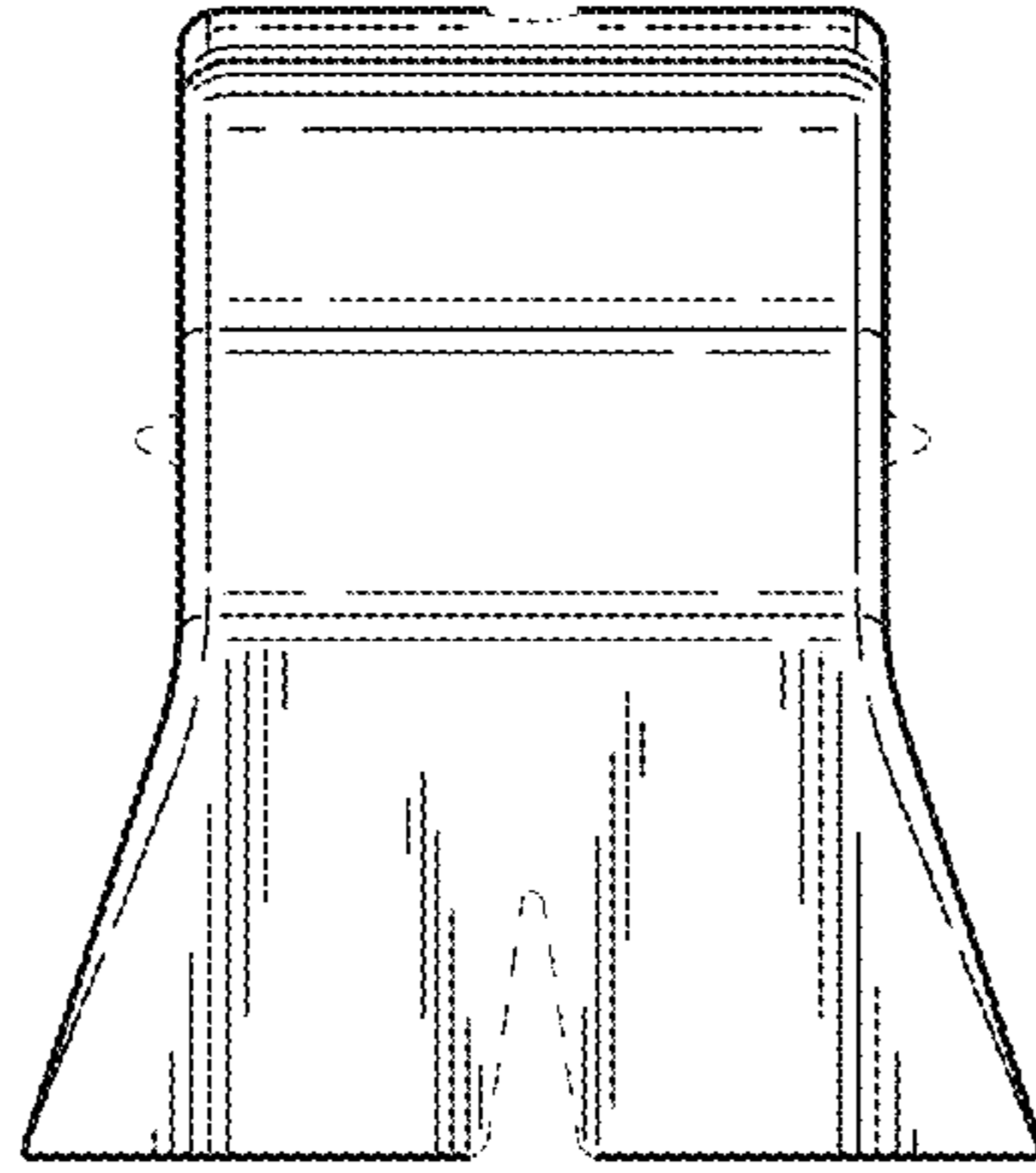


FIG. 13

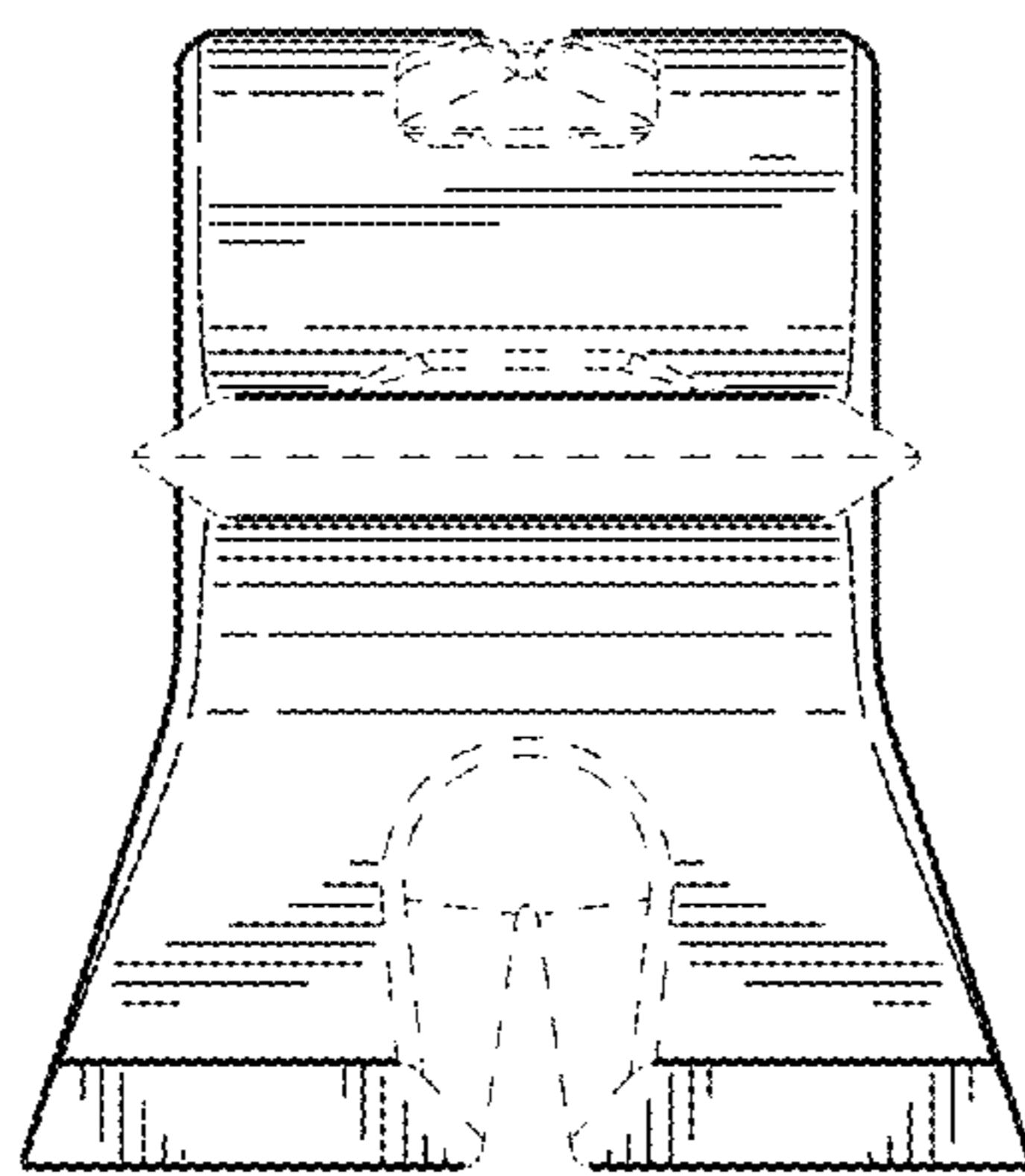


FIG. 14