

US00D769099S

(12) **United States Design Patent** (10) **Patent No.:** **US D769,099 S**
Trice (45) **Date of Patent:** **** Oct. 18, 2016**

(54) **DEMOLITION TOOL**
(71) Applicant: **Evers C. Trice**, Frederick, MD (US)
(72) Inventor: **Evers C. Trice**, Frederick, MD (US)
(73) Assignee: **Trice Enterprise, LLC**, Frederick, MD (US)
(**) Term: **14 Years**
(21) Appl. No.: **29/463,367**
(22) Filed: **Oct. 30, 2013**
(51) **LOC (10) Cl.** **08-02**
(52) **U.S. Cl.**
USPC **D8/78**
(58) **Field of Classification Search**
USPC D8/14, 47, 75, 78-81, 105, 107;
7/143-147; 81/20-24; 254/26 R
See application file for complete search history.

5,243,778 A 9/1993 Henley
5,428,853 A 7/1995 Menke et al.
D369,734 S 5/1996 Sanger
5,904,132 A 5/1999 Biller
5,953,822 A 9/1999 Vogelsanger
6,244,568 B1 6/2001 Patton
6,543,824 B2 4/2003 Beaudrie
D507,167 S * 7/2005 Richardson D8/81
7,036,952 B2 5/2006 Zirk et al.
D525,506 S 7/2006 Downing, Jr.
D558,552 S 1/2008 Kuo
D562,101 S 2/2008 Martone et al.
D567,620 S 4/2008 Martone et al.
D579,301 S 10/2008 Jones
D595,555 S 7/2009 Vanderbeek
D604,136 S 11/2009 Youngren et al.
D605,020 S 12/2009 Martone et al.
7,634,830 B2 12/2009 Ryan
D617,624 S 6/2010 Tygh
7,735,172 B2 6/2010 Newton et al.
D628,035 S 11/2010 Paige
8,024,994 B2 9/2011 St. John et al.

(Continued)

Primary Examiner — Philip S Hyder
Assistant Examiner — Roselynn Cody
(74) *Attorney, Agent, or Firm* — Breiner & Breiner, L.L.C.

(56) **References Cited**
U.S. PATENT DOCUMENTS

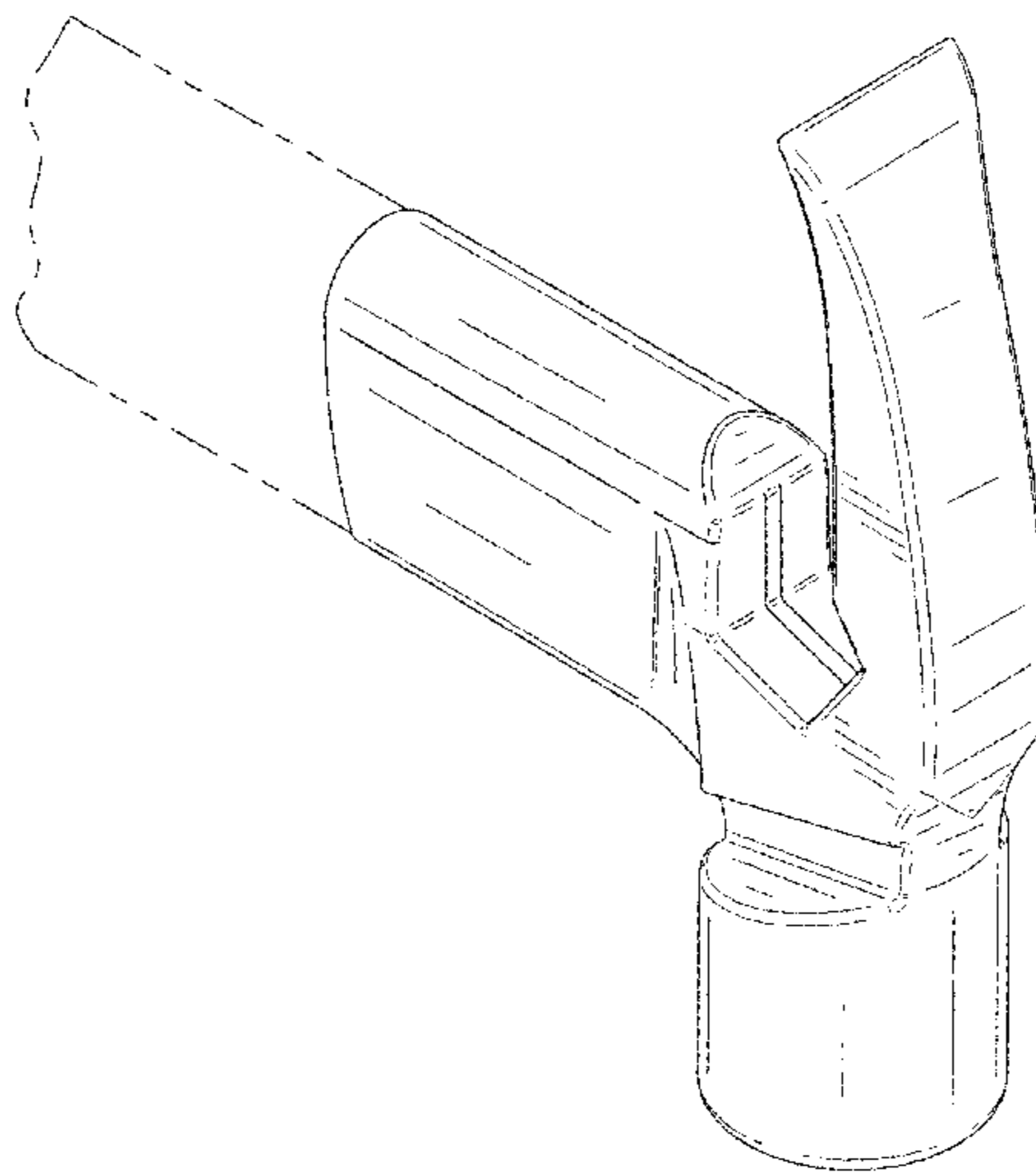
905,676 A 12/1908 Evans
1,042,177 A 10/1912 Vredenburg
D57,662 S 4/1921 Kingston et al.
1,536,319 A 5/1925 Yost
D110,735 S 8/1938 Rubel
D140,821 S 4/1945 MacWithey
2,490,684 A 12/1949 Gosselin
D163,533 S * 6/1951 Mills D8/81
2,839,862 A 6/1958 Hanshaw
2,957,468 A 10/1960 Enfield
3,006,330 A 10/1961 De Bach
3,219,316 A 11/1965 Fried
D203,769 S 2/1966 Rando
3,710,407 A 1/1973 Reid
D262,186 S 12/1981 Royce
4,505,482 A 3/1985 Martin, Sr.
4,616,835 A 10/1986 Trotter
D291,402 S 8/1987 Square
D300,111 S 3/1989 Square
5,088,174 A 2/1992 Hull et al.

(57) **CLAIM**
The ornamental design for a demolition tool, as shown and described.

DESCRIPTION

FIG. 1 is a perspective view of the demolition tool;
FIG. 2 is a side view thereof, the opposite side being a mirror image;
FIG. 3 is a top view thereof;
FIG. 4 is a bottom view thereof;
FIG. 5 is a first end view thereof; and,
FIG. 6 is a second end view thereof.
The broken lines in the drawings illustrate a portion of the demolition tool that forms no part of the claim.

1 Claim, 4 Drawing Sheets



(56)

References Cited

U.S. PATENT DOCUMENTS

8,117,702 B2 2/2012 Woolley et al.
D683,608 S 6/2013 Trice
8,458,838 B2 6/2013 Trice
D695,088 S 12/2013 Trice
2003/0041385 A1 3/2003 Humphreys
2003/0192187 A1 10/2003 Bean
2007/0226913 A1 10/2007 Woolley et al.

2007/0234575 A1 10/2007 Petty
2009/0000039 A1 1/2009 St. John et al.
2009/0000097 A1 1/2009 Dapkins, Jr. et al.
2009/0271929 A1 11/2009 Adams et al.
2009/0276962 A1* 11/2009 Adams et al. 7/144
2010/0263133 A1 10/2010 Langan
2011/0113566 A1 5/2011 Holbrook
2012/0272459 A1 11/2012 Trice
2013/0239334 A1 9/2013 Trice

* cited by examiner

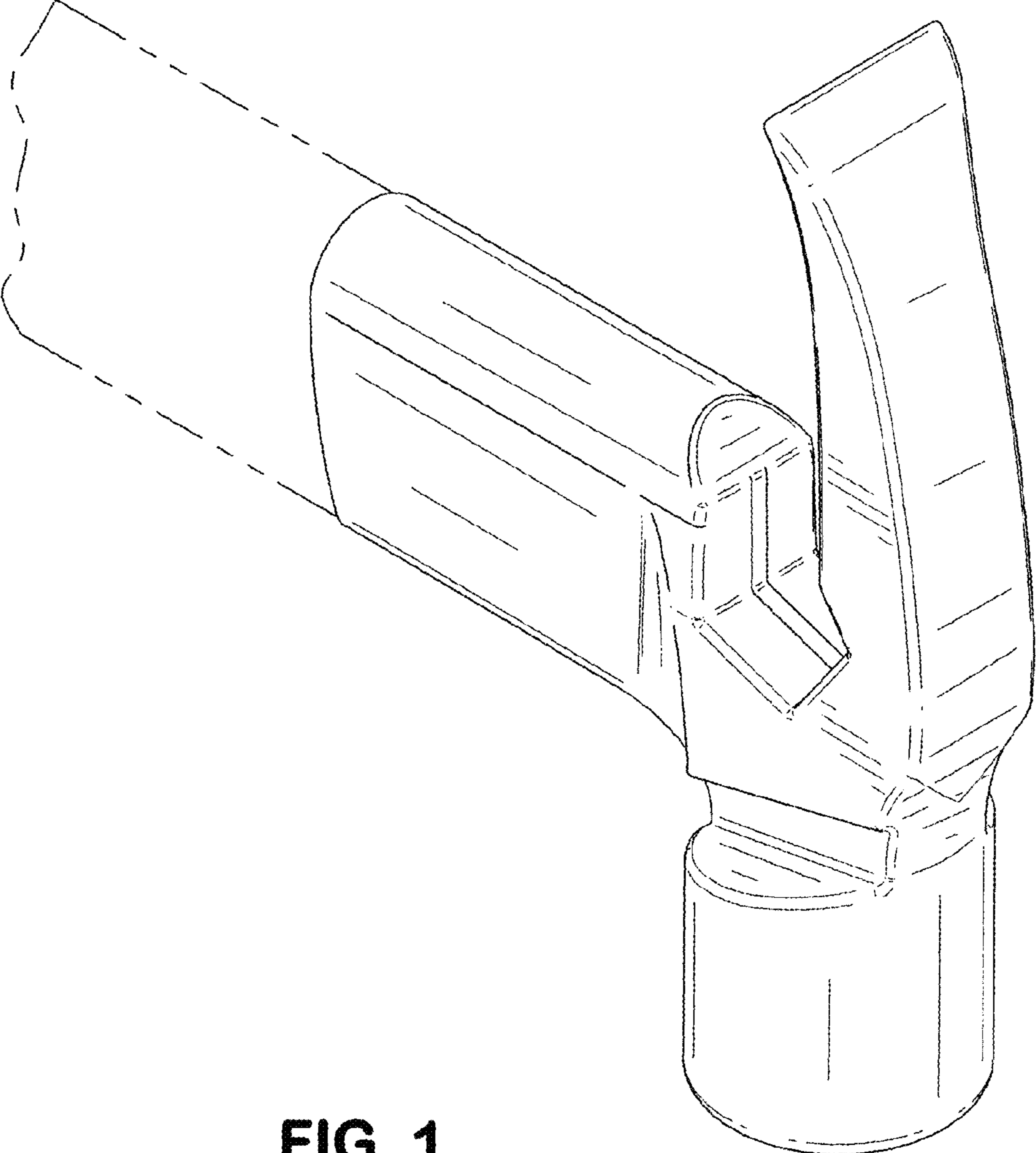


FIG. 1

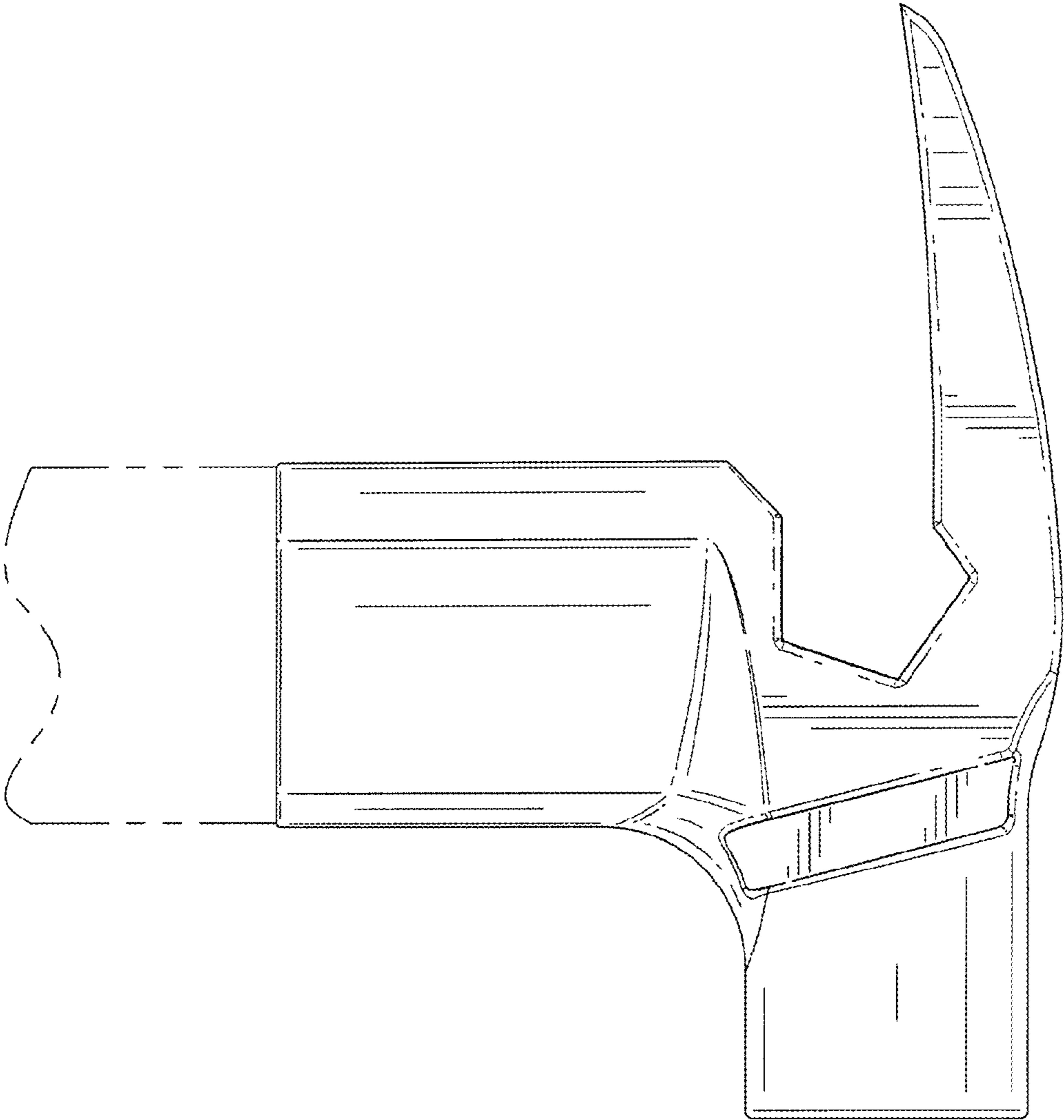


FIG. 2

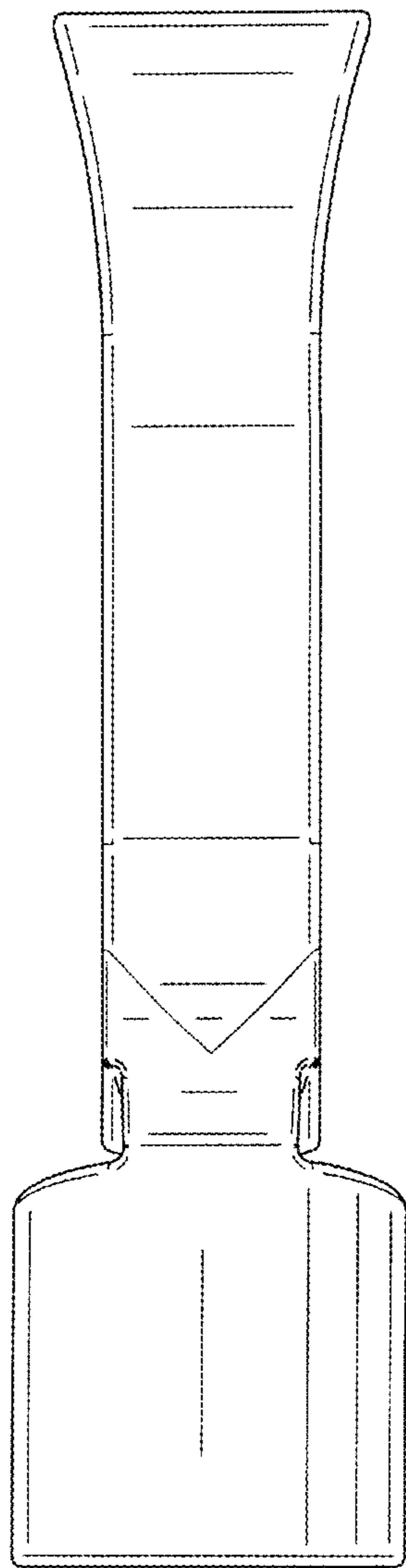


FIG. 3

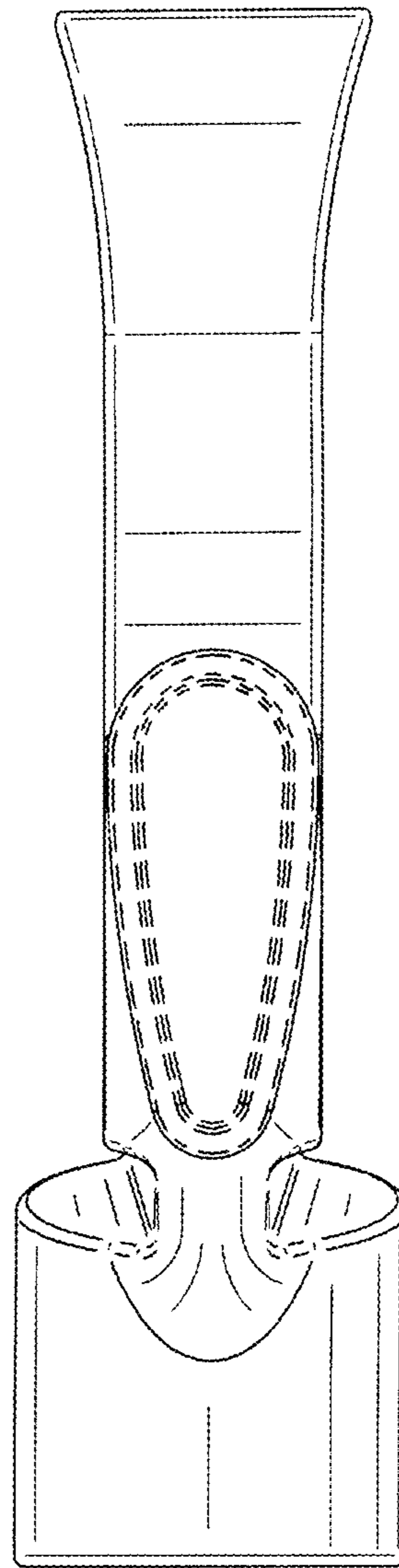


FIG. 4

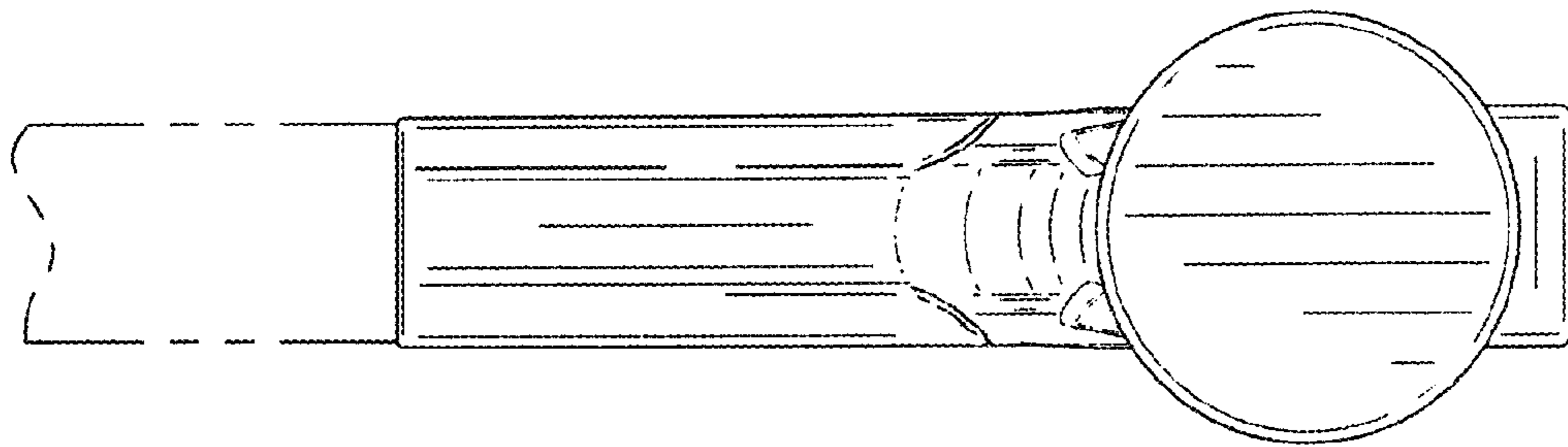


FIG. 5

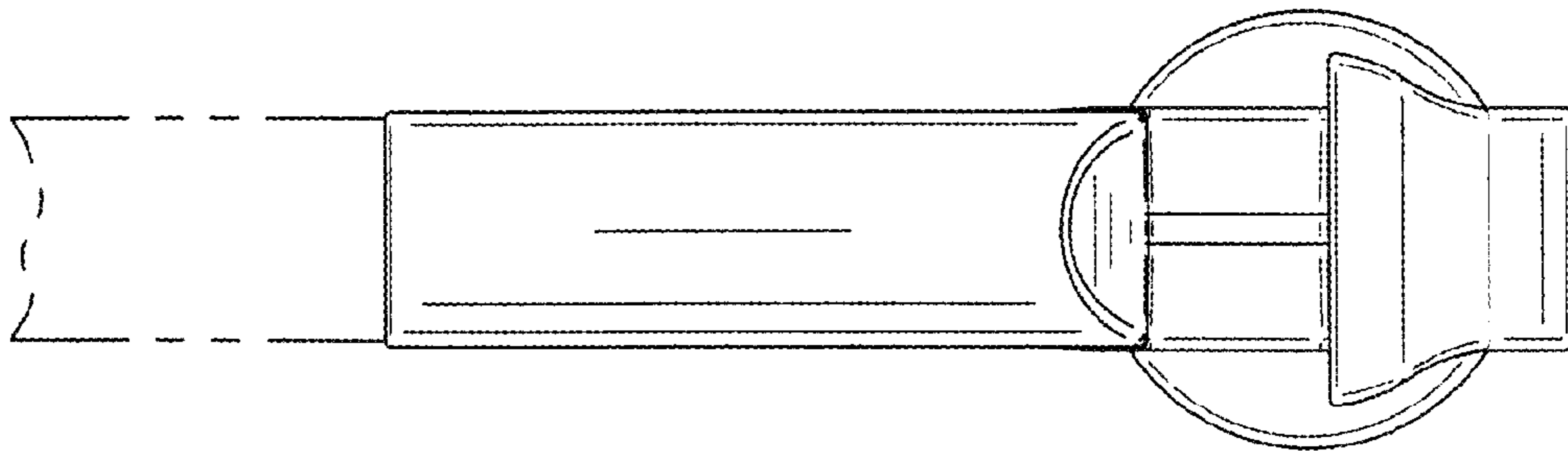


FIG. 6