



US00D769096S

(12) **United States Design Patent**
Hung

(10) **Patent No.:** **US D769,096 S**

(45) **Date of Patent:** **** Oct. 18, 2016**

(54) **BEARING ADJUSTER**

(71) Applicant: **Cheng-Hao Hung**, Taichung (TW)

(72) Inventor: **Cheng-Hao Hung**, Taichung (TW)

(**) Term: **14 Years**

(21) Appl. No.: **29/509,953**

(22) Filed: **Nov. 24, 2014**

(51) **LOC (10) Cl.** **08-05**

(52) **U.S. Cl.**
USPC **D8/51**

(58) **Field of Classification Search**
USPC D8/14, 51-60, 105, 107
CPC Y10T 29/5393; Y10T 29/53843;
Y10T 29/53878; B25B 27/06; B25B 27/062
See application file for complete search history.

(56) **References Cited**

U.S. PATENT DOCUMENTS

- 3,956,801 A * 5/1976 Wood F16C 35/067
29/275
- 4,339,865 A * 7/1982 Shultz B25B 27/06
29/255
- 4,429,447 A * 2/1984 Davis B25B 27/06
29/262

- 5,528,809 A * 6/1996 Green B25B 27/06
29/275
- 6,088,898 A * 7/2000 Lundsten B25B 27/06
29/255
- 7,644,481 B2 * 1/2010 Kang B25B 27/06
29/255
- 7,707,709 B2 * 5/2010 Whitehead B25B 27/06
29/255
- 8,042,244 B2 * 10/2011 Lai B25B 27/06
269/3
- 9,186,785 B2 * 11/2015 Hung B25B 27/06
- 2009/0302088 A1 * 12/2009 Santamarina B25B 31/00
227/139

* cited by examiner

Primary Examiner — Deanna L Pratt

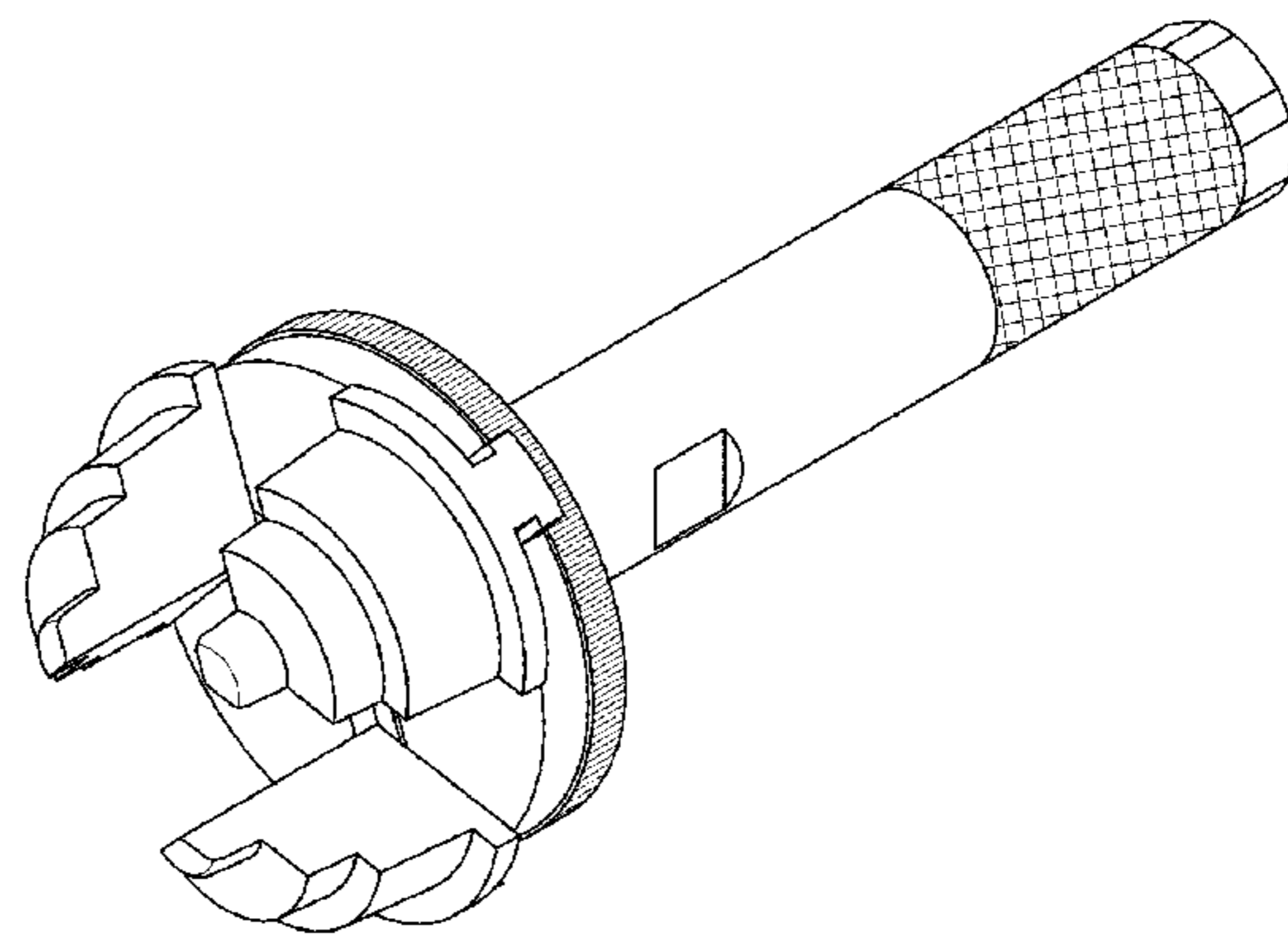
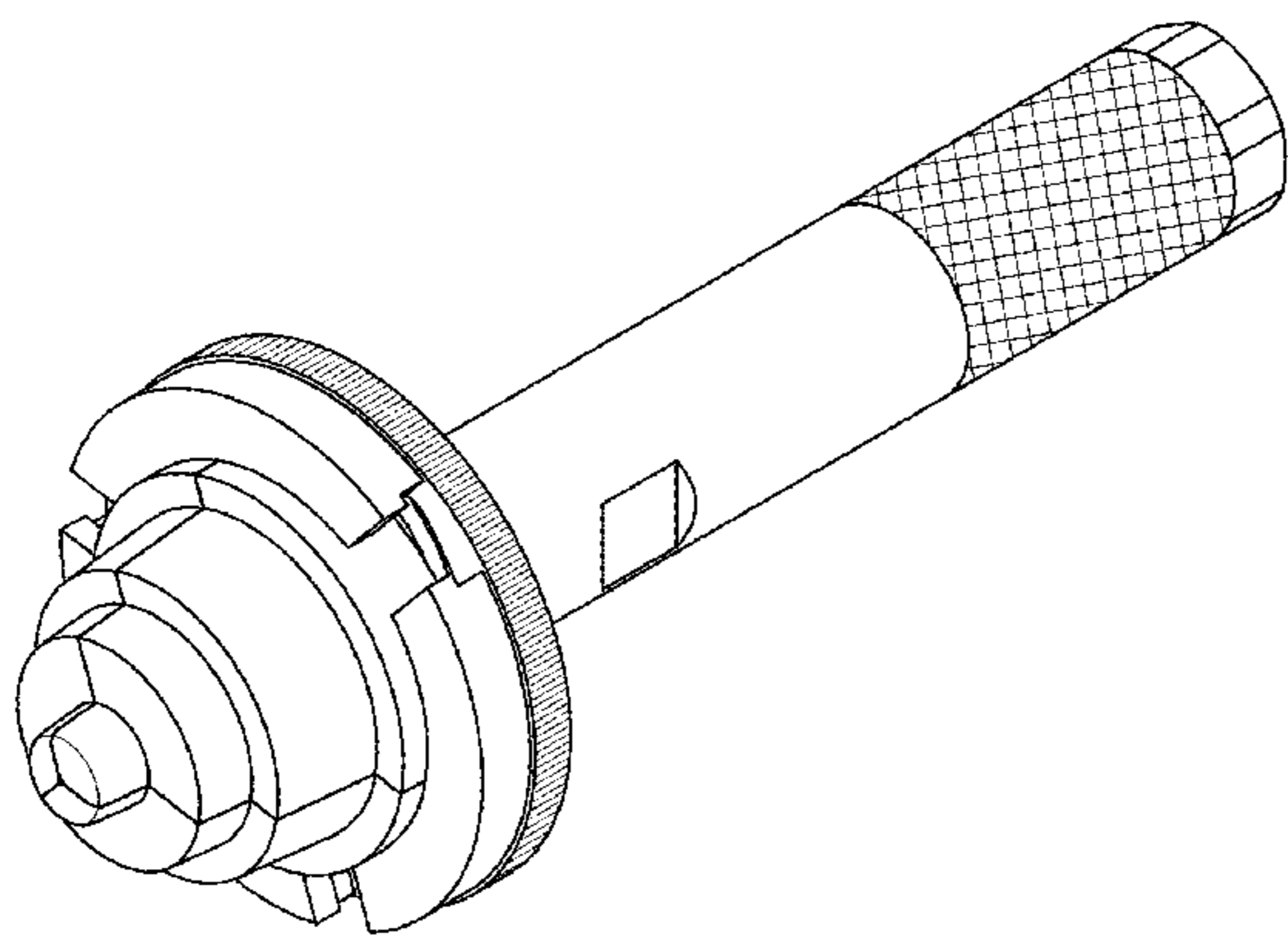
(57) **CLAIM**

The ornamental design for a bearing adjuster, as shown and described.

DESCRIPTION

FIG. 1 is a perspective view of a bearing adjuster showing my design;
FIG. 2 is a front elevational view thereof;
FIG. 3 is a rear elevational view thereof;
FIG. 4 is a left side elevational view thereof;
FIG. 5 is a right side elevational view thereof;
FIG. 6 is a top plan view thereof;
FIG. 7 is a bottom plan view thereof; and,
FIG. 8 is a perspective view of the bearing adjuster in a position of use.

1 Claim, 7 Drawing Sheets



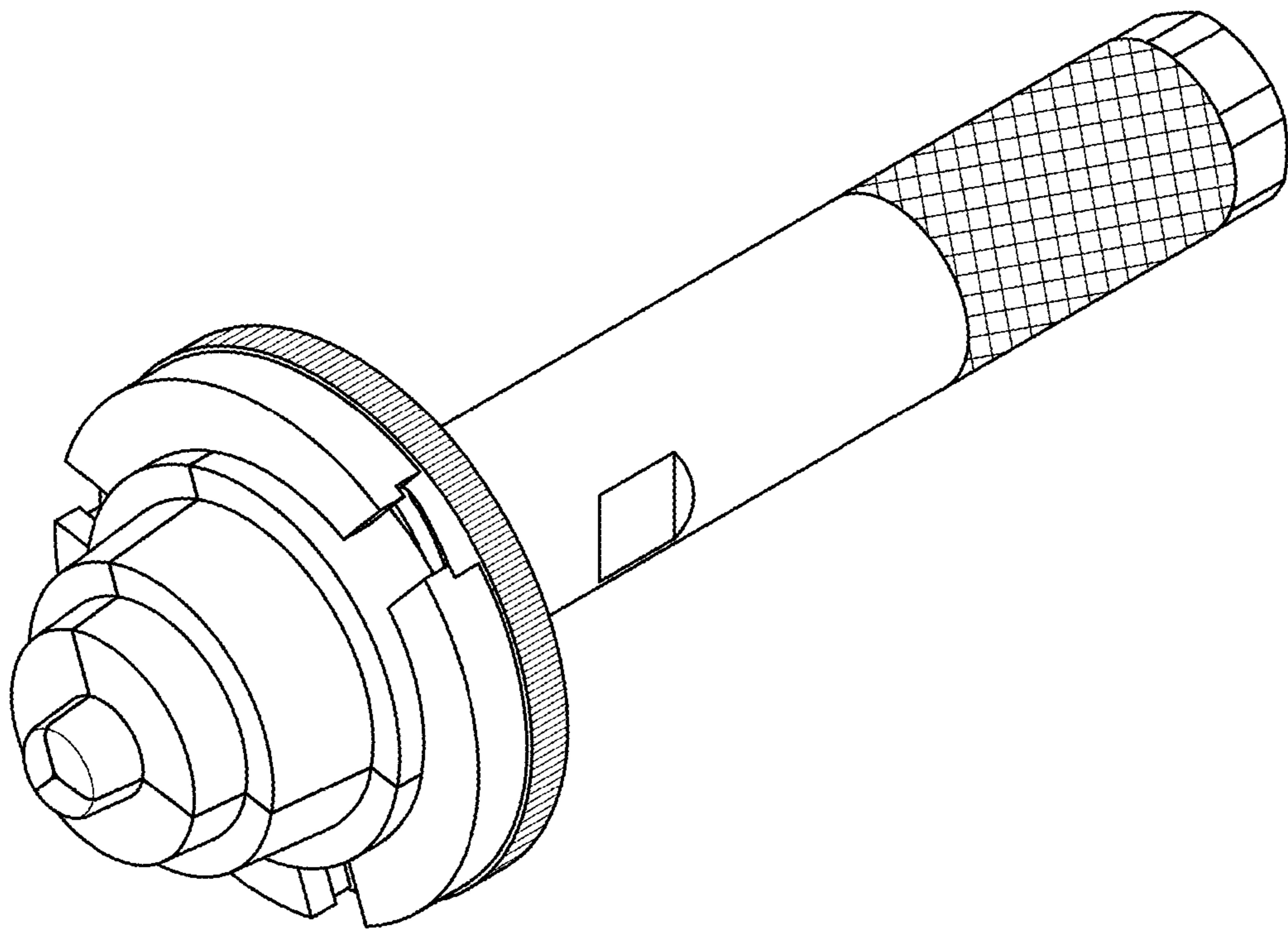


FIG. 1

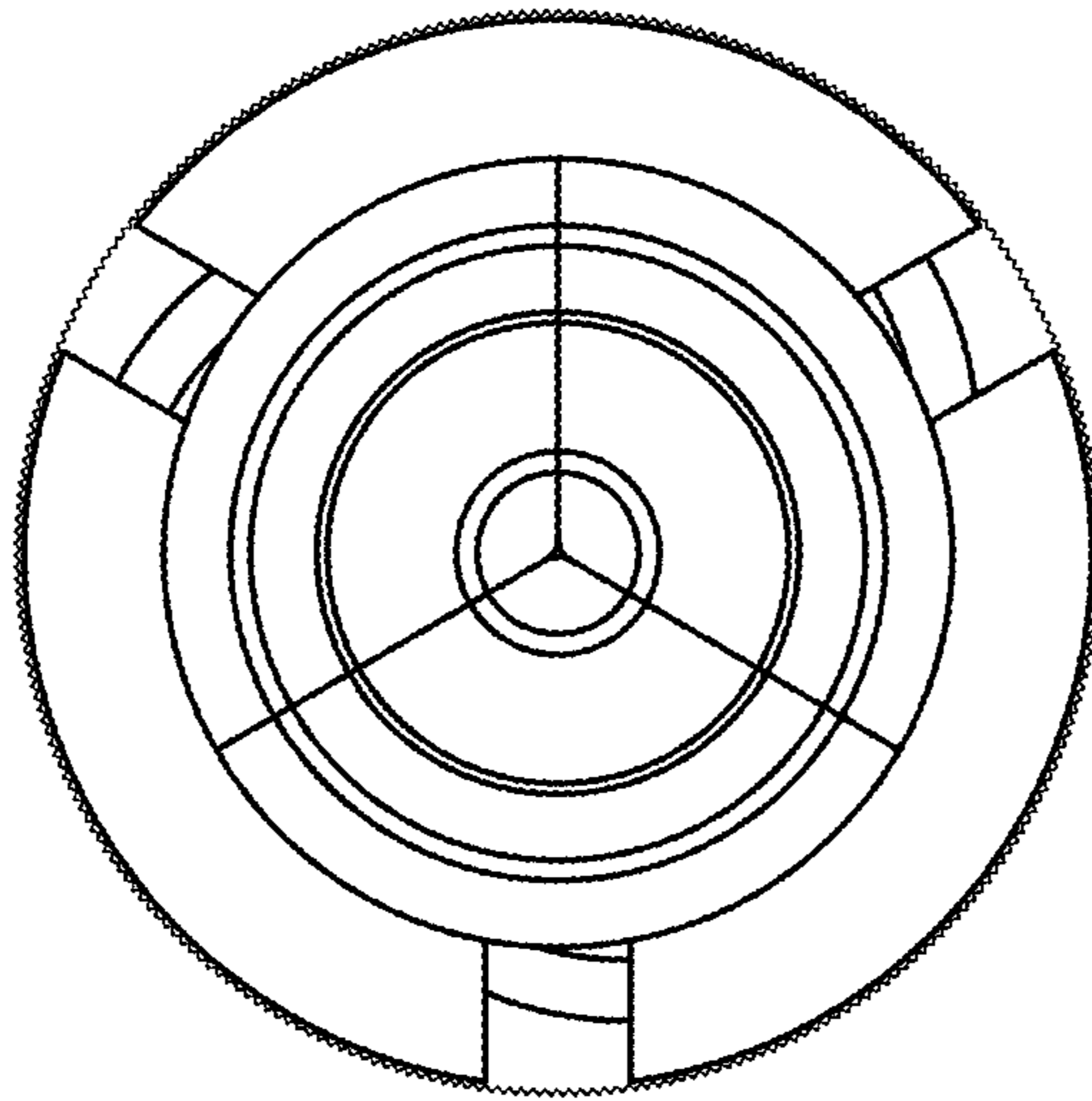


FIG. 2

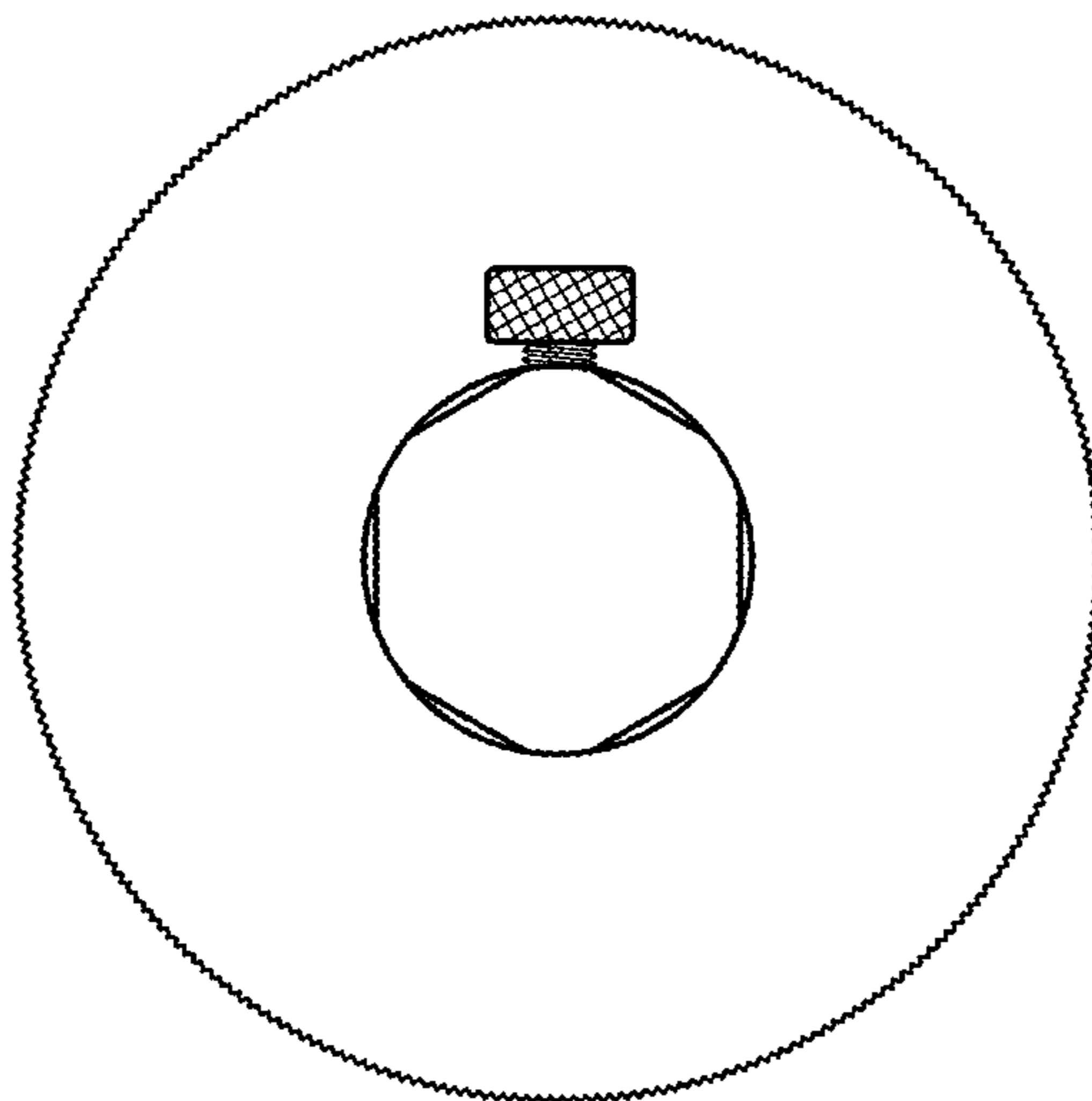


FIG. 3

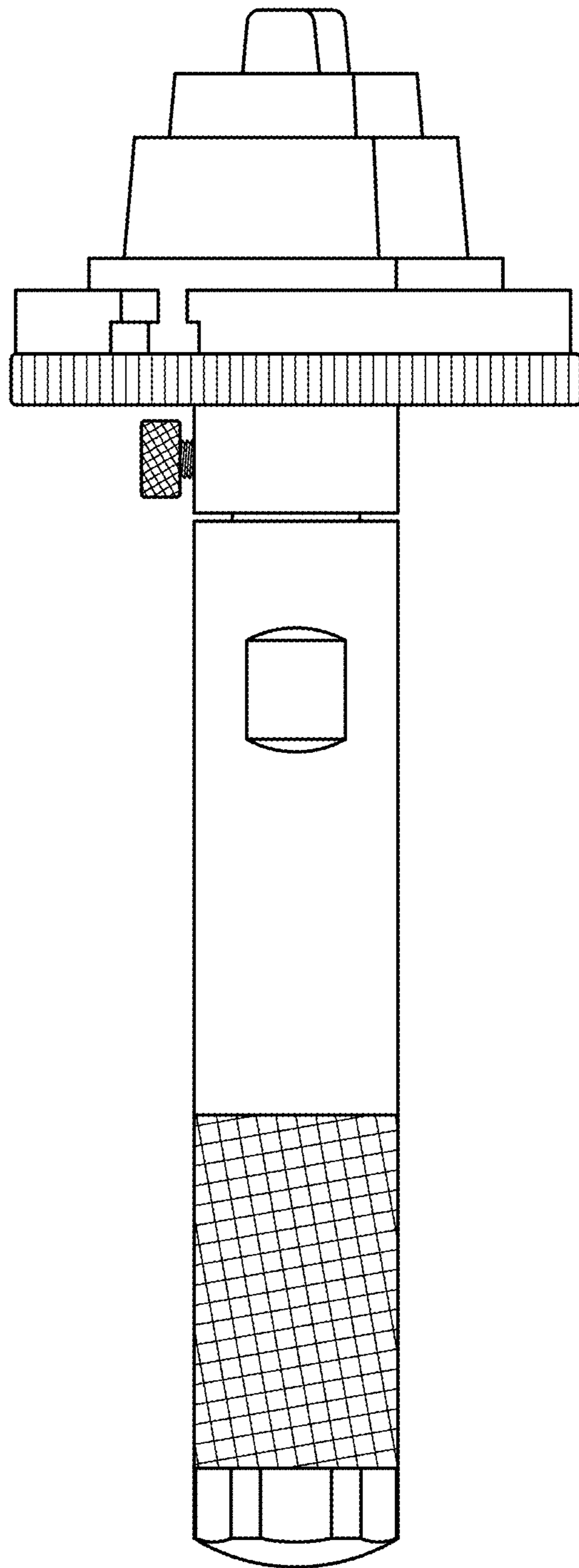


FIG.4

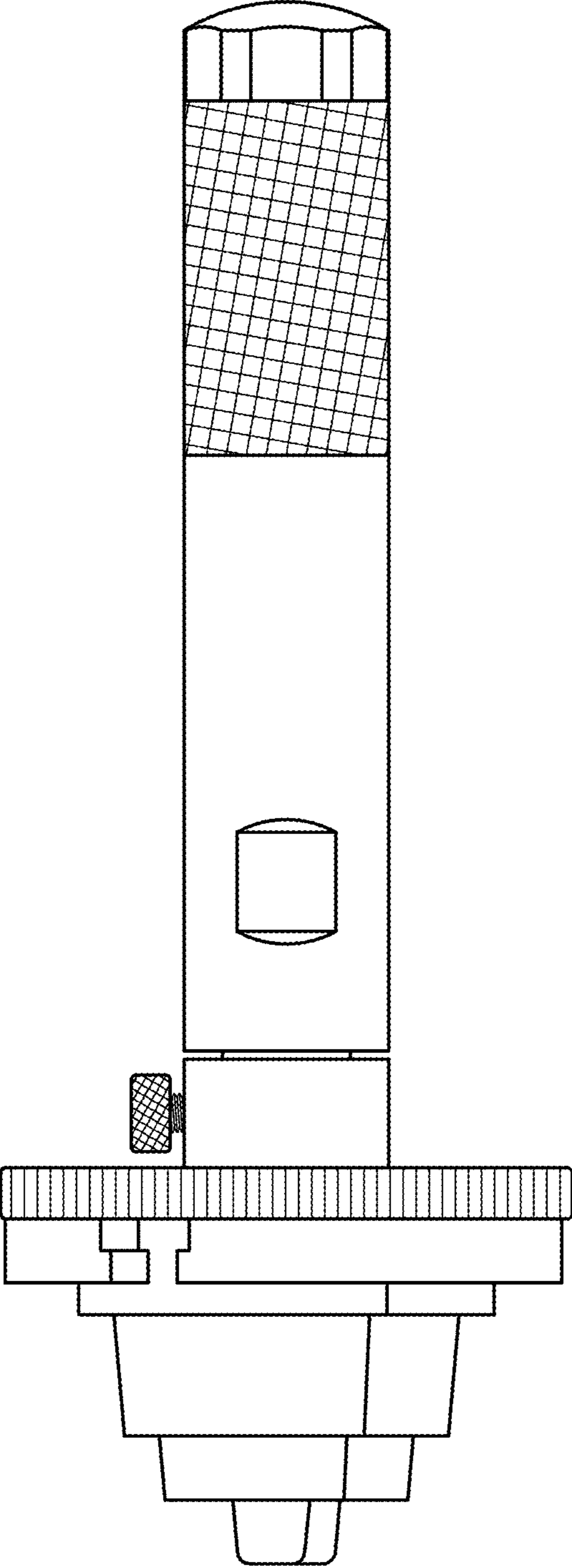


FIG. 5

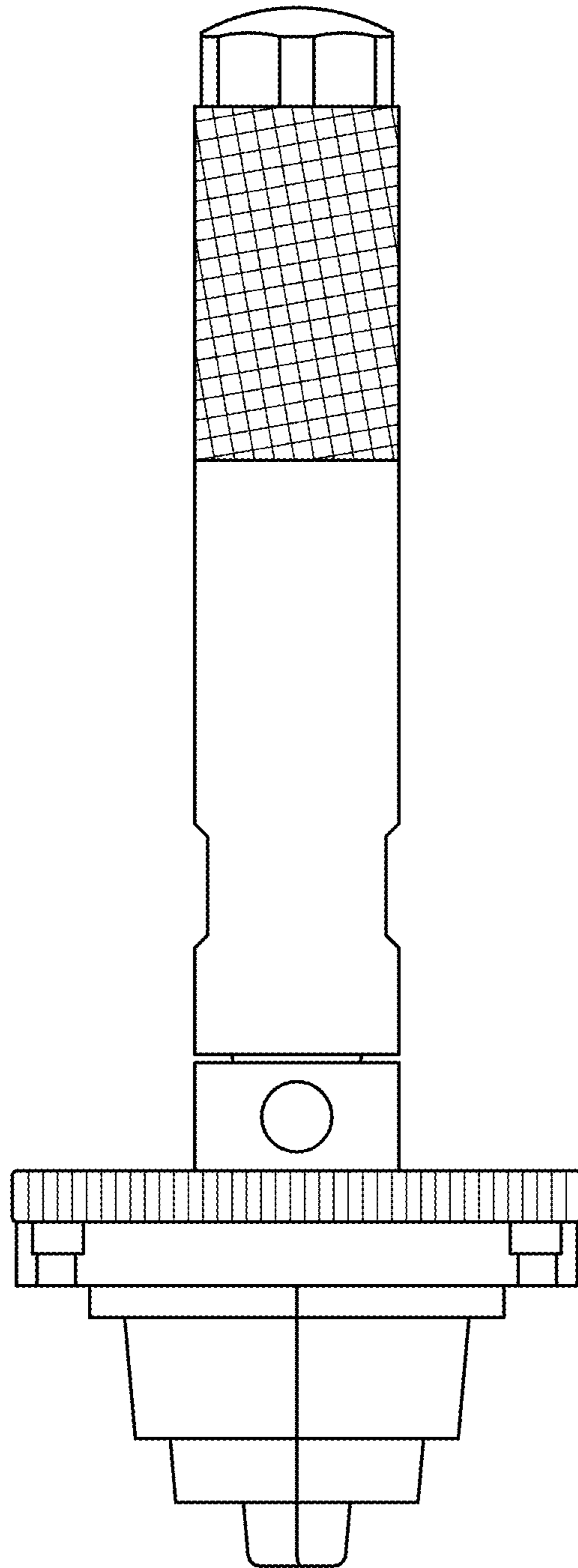


FIG. 6

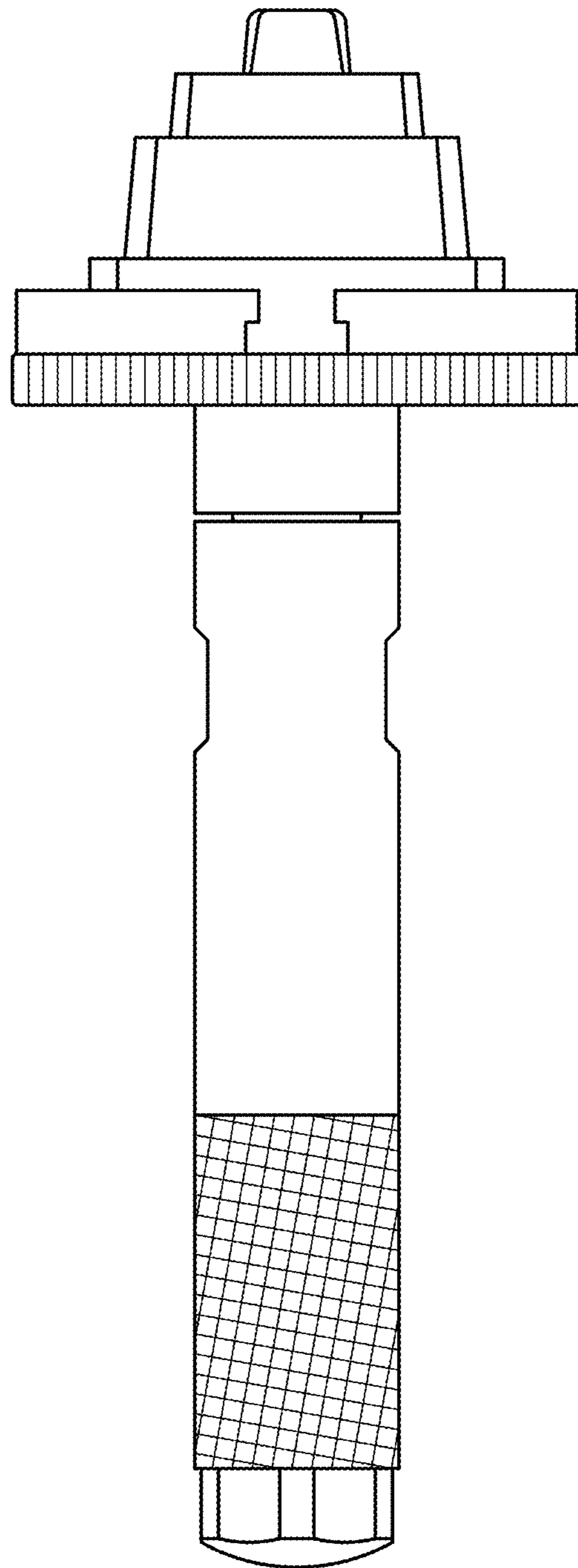


FIG.7

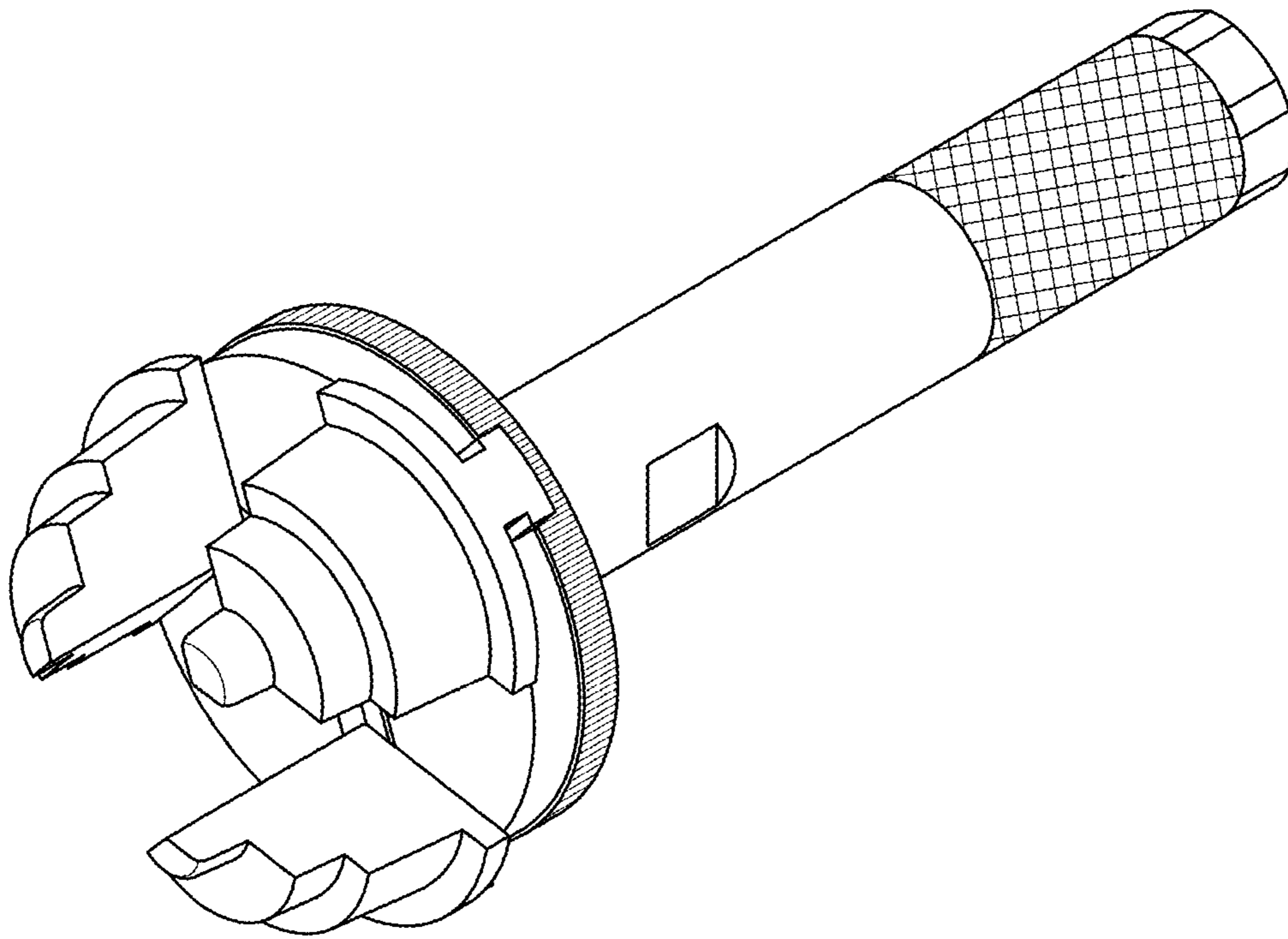


FIG.8