

US00D769095S

(12) **United States Design Patent**
De Bruin et al.

(10) **Patent No.:** **US D769,095 S**

(45) **Date of Patent:** **** Oct. 18, 2016**

(54) **TOOL**

(71) Applicant: **DESIGNERSCOPE LIMITED,**
Auckland (NZ)

(72) Inventors: **Wim Jan De Bruin,** Auckland (NZ);
Jamie Stewart Booth, Auckland (NZ)

(73) Assignee: **DESIGNERSCOPE LIMITED,**
Auckland (NZ)

(**) Term: **14 Years**

(21) Appl. No.: **29/503,580**

(22) Filed: **Sep. 26, 2014**

(30) **Foreign Application Priority Data**

Mar. 28, 2014 (NZ) 418682

(51) **LOC (10) Cl.** **08-05**

(52) **U.S. Cl.**
USPC **D8/51**

(58) **Field of Classification Search**
USPC D8/4, 5, 51-60
CPC B25J 1/04; B25J 1/06; B25J 13/02;
B25B 9/00; E01H 1/12
See application file for complete search history.

(56) **References Cited**

U.S. PATENT DOCUMENTS

3,219,376 A * 11/1965 Peters B25J 1/04
294/115
4,834,437 A * 5/1989 Howard, Sr. B63B 21/00
114/221 R

D380,025 S * 6/1997 Digerness D21/721
D582,233 S * 12/2008 Bensussan D8/51
D591,120 S * 4/2009 Buzby D8/51
D591,121 S * 4/2009 Buzby D8/51
D617,619 S * 6/2010 Bensussan D8/51
2010/0102583 A1* 4/2010 McCoy B25J 1/04
294/107
2014/0035305 A1* 2/2014 Ludwig B25J 1/04
294/200

* cited by examiner

Primary Examiner — Deanna L Pratt

(74) *Attorney, Agent, or Firm* — Morrison & Foerster
LLP

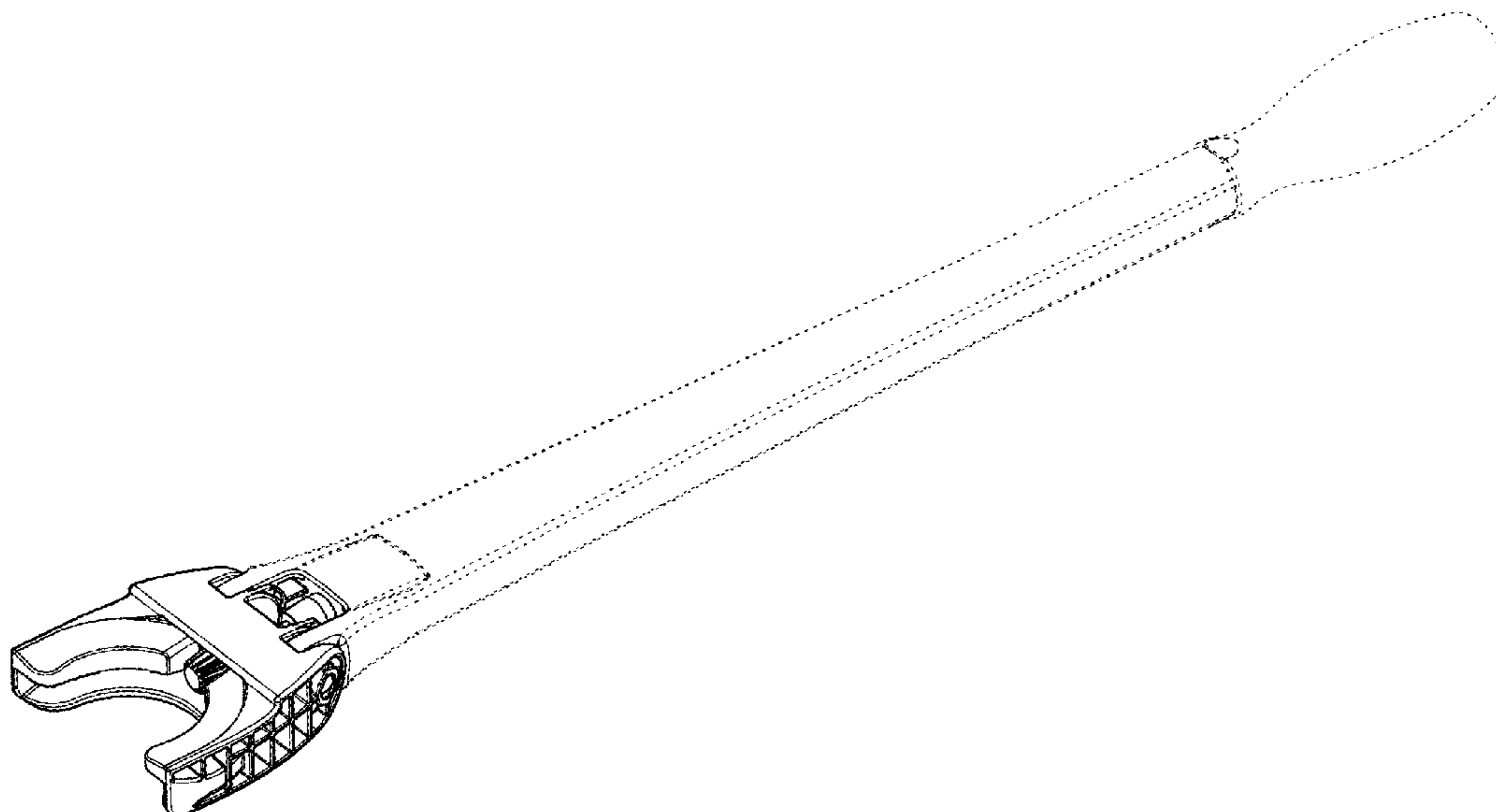
(57) **CLAIM**

The ornamental design for a tool, as shown and described.

DESCRIPTION

FIG. 1 is a front top perspective view of a tool;
FIG. 2 is a front bottom perspective view of the tool;
FIG. 3 is a top view of the tool;
FIG. 4 is a bottom view of the tool;
FIG. 5 is a side view of the tool;
FIG. 6 is a front view of the tool; and,
FIG. 7 is a rear view of the tool.
The broken line showing of portions of the tool forms no
part of the claimed design.

1 Claim, 7 Drawing Sheets



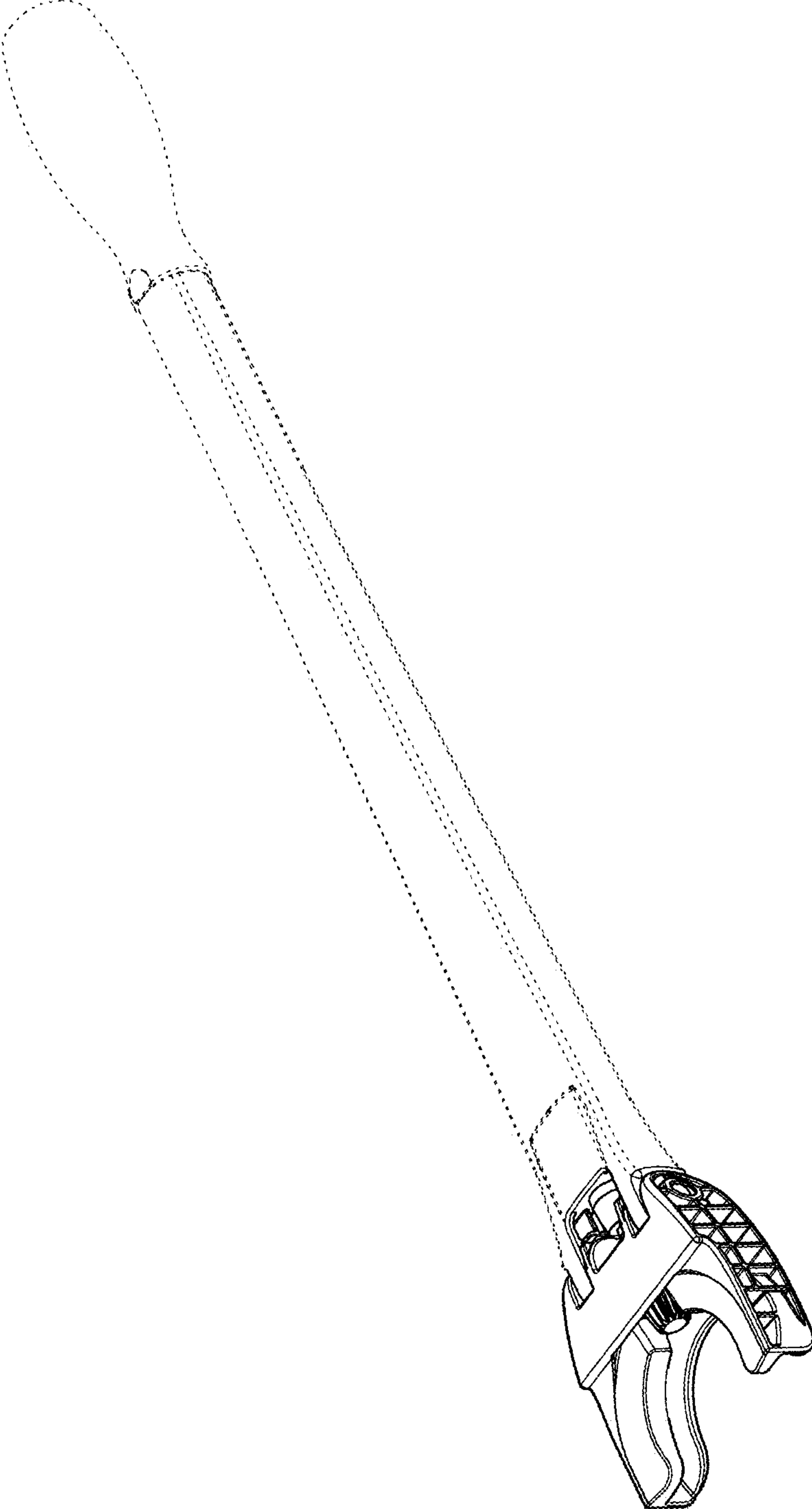


FIGURE 1

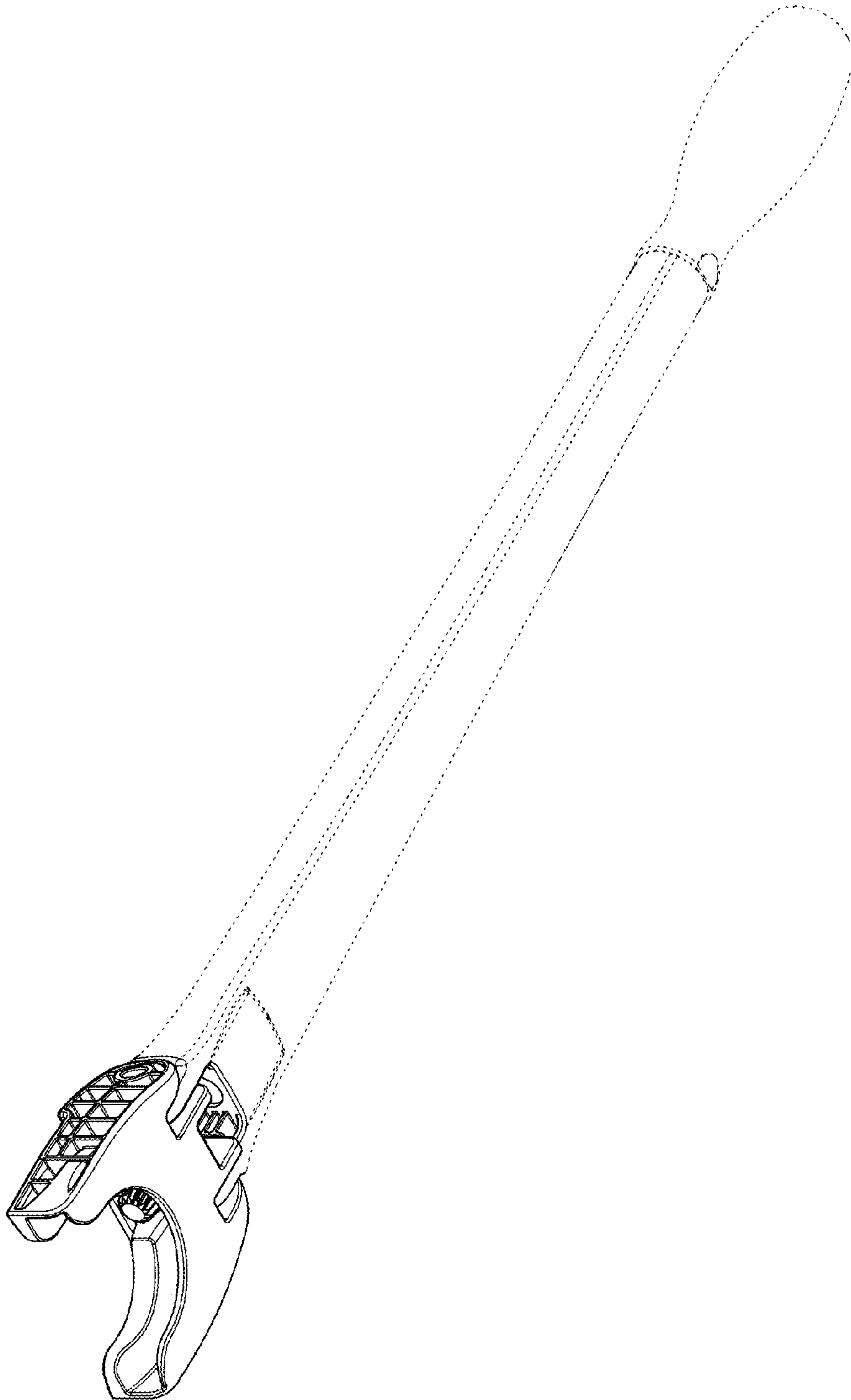


FIGURE 2

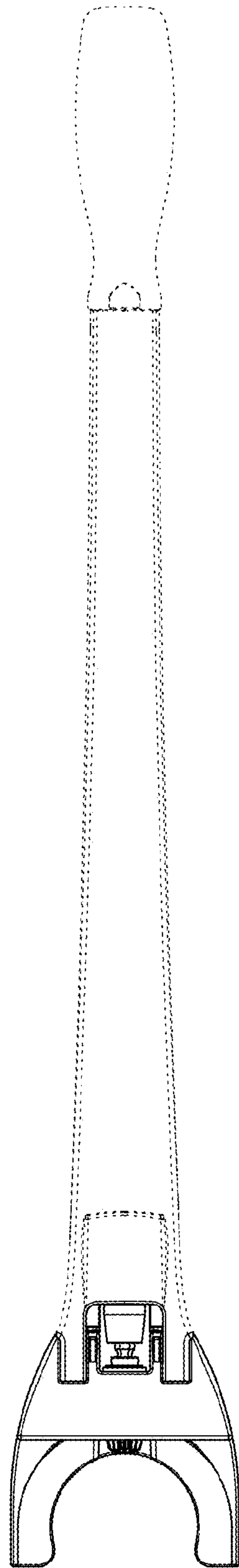


FIGURE 3

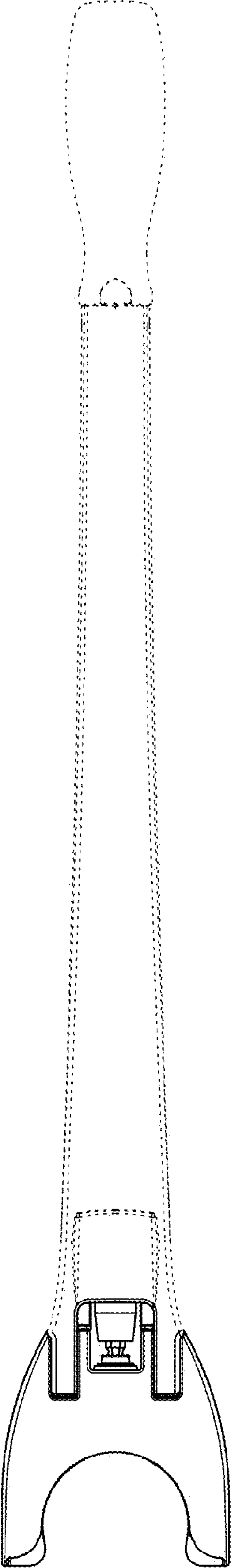


FIGURE 4

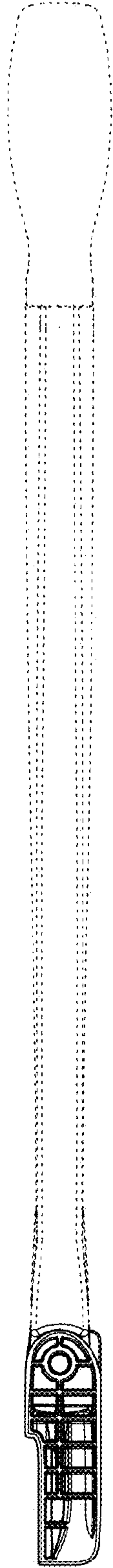


FIGURE 5

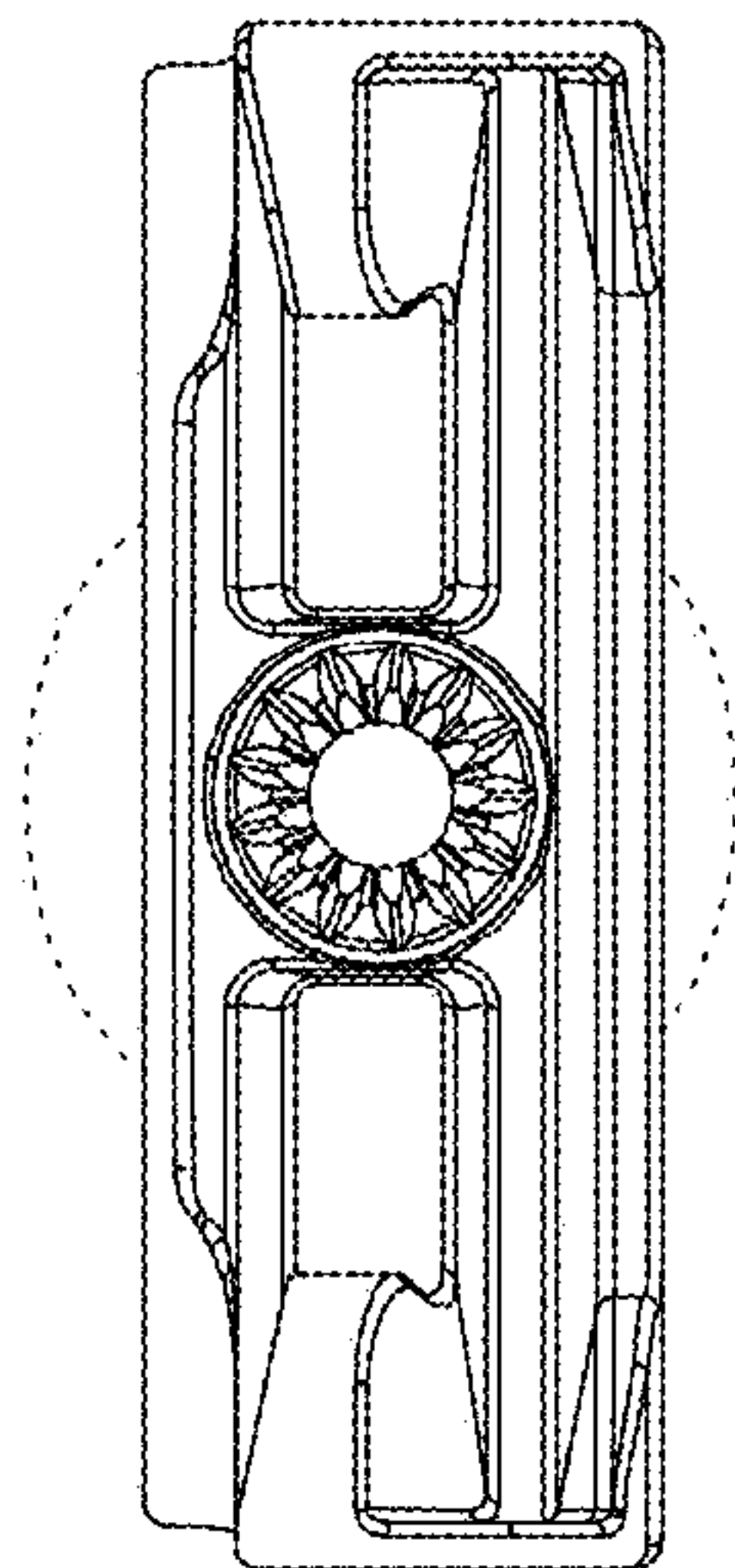


FIGURE 6

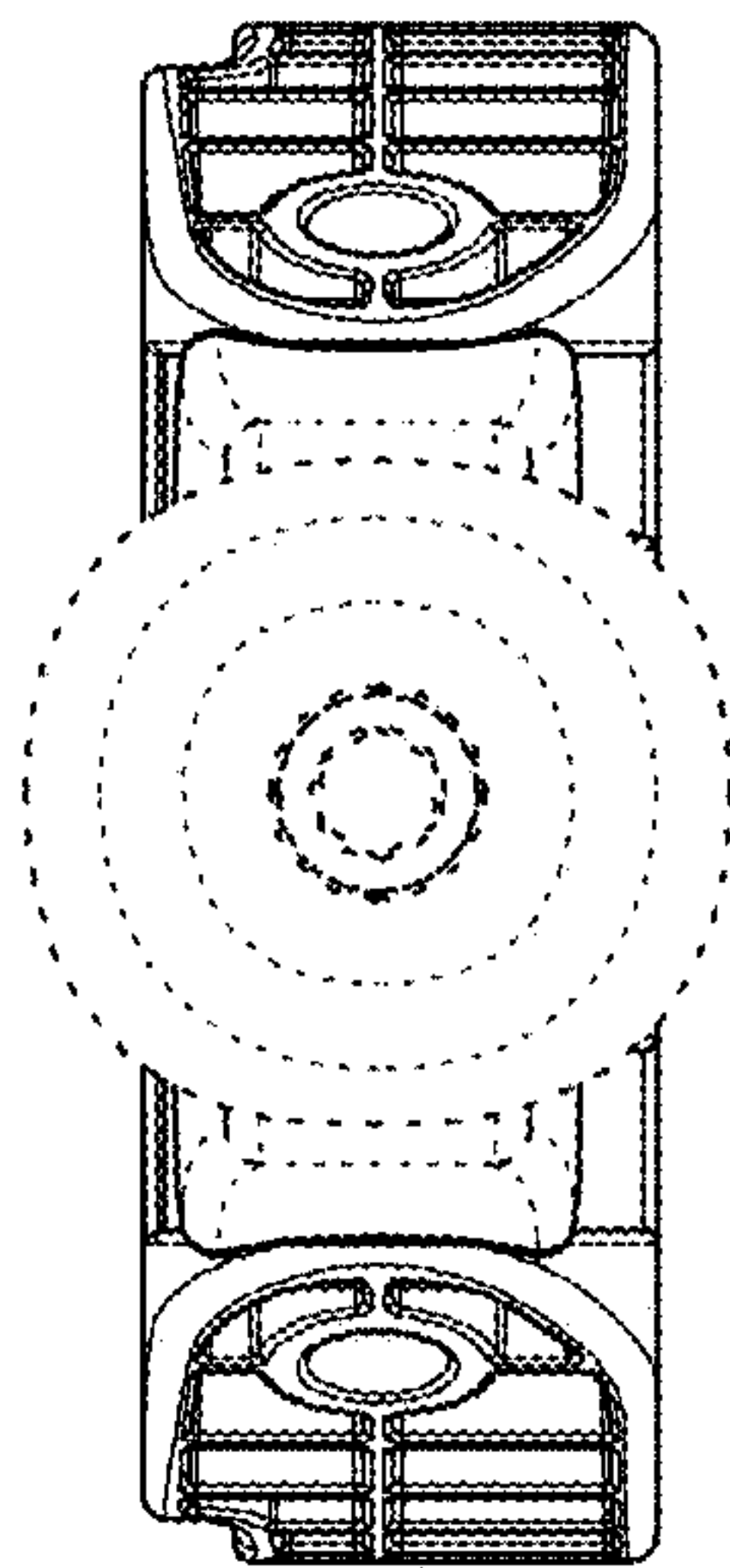


FIGURE 7