

US00D769094S

(12) **United States Design Patent**  
**Pascu**

(10) **Patent No.:** **US D769,094 S**

(45) **Date of Patent:** **\*\* Oct. 18, 2016**

(54) **LOAD RESTRAINT ADJUSTER**  
(71) Applicant: **Snake Products Pty Ltd**, Scarborough  
WA (AU)  
(72) Inventor: **Lee C J Pascu**, Scarborough (AU)  
(73) Assignee: **Snake Products Pty Ltd**, Scarborough  
WA (AU)  
(\*\*) Term: **14 Years**

D423,332 S \* 4/2000 Salter ..... D8/359  
D430,780 S \* 9/2000 Stephenson ..... D8/14  
D593,385 S \* 6/2009 Wang ..... D8/44  
D642,031 S \* 7/2011 Pehar ..... D8/44  
8,029,034 B2 \* 10/2011 Russi ..... B66F 11/00  
294/15  
D652,701 S \* 1/2012 Cranny ..... D8/44  
D676,728 S \* 2/2013 Burris ..... D8/44  
D700,486 S \* 3/2014 Deshpande ..... D8/44  
D750,946 S \* 3/2016 Hardman ..... D8/44  
D751,873 S \* 3/2016 Yanoff ..... D8/14  
D755,591 S \* 5/2016 Magee ..... D8/14

\* cited by examiner

(21) Appl. No.: **29/515,350**

(22) Filed: **Jan. 22, 2015**

*Primary Examiner* — Cynthia Ramirez

(74) *Attorney, Agent, or Firm* — Kusner & Jaffe

(30) **Foreign Application Priority Data**

Jul. 23, 2014 (AU) ..... 13597/2014

(51) **LOC (10) Cl.** ..... **08-05**

(52) **U.S. Cl.**  
USPC ..... **D8/44**

(58) **Field of Classification Search**  
USPC ..... D8/44, 14, 358, 314, 499, 47, 59;  
D6/515; D12/106, 400, 223, 217, 406,  
D12/414, 414.1; D34/38  
CPC ..... B66D 3/006; B66D 3/18; B66D 3/26;  
B66D 3/02; B66D 3/14; B66F 19/00  
See application file for complete search history.

(56) **References Cited**

U.S. PATENT DOCUMENTS

D289,005 S \* 3/1987 Babb ..... D8/14  
D300,901 S \* 5/1989 Lapelusa ..... D8/14  
D341,525 S \* 11/1993 Bernhard ..... 294/15  
D345,288 S \* 3/1994 Hubal ..... D12/106  
D384,253 S \* 9/1997 Patino ..... D8/14

(57) **CLAIM**

The ornamental design for a load restraint adjuster, as shown.

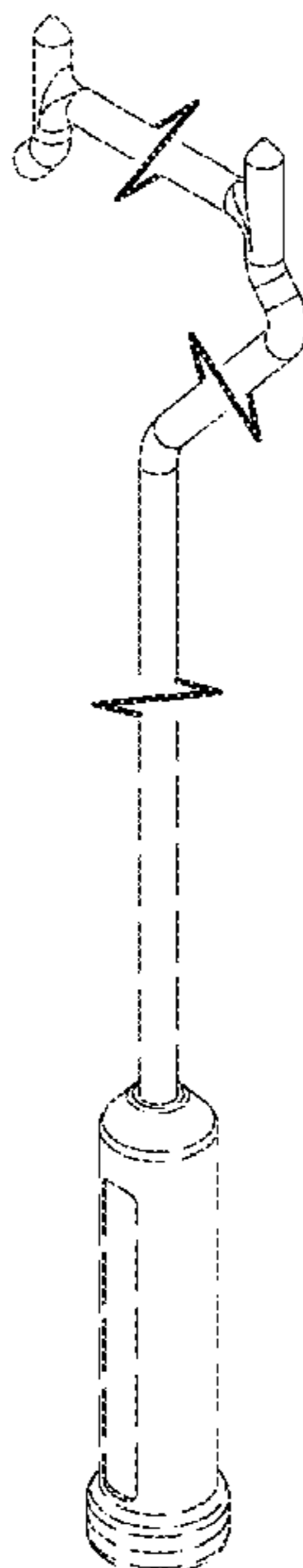
**DESCRIPTION**

FIG. 1 is a perspective view of a load restraint adjuster showing my new design;  
FIG. 2 is a front elevational view thereof;  
FIG. 3 is a rear elevational view thereof;  
FIG. 4 is a left side elevational view thereof;  
FIG. 5 is a right side elevational view thereof;  
FIG. 6 is a top plan view thereof; and,  
FIG. 7 is a bottom plan view thereof.

The elements shown in broken lines in the figure are included for the purpose of illustrating environment and form no part of the claimed design.

The load restraint adjuster is shown with symbolic breaks in its length. The appearance of any portion of the article between the break lines forms no part of the claimed design.

**1 Claim, 7 Drawing Sheets**



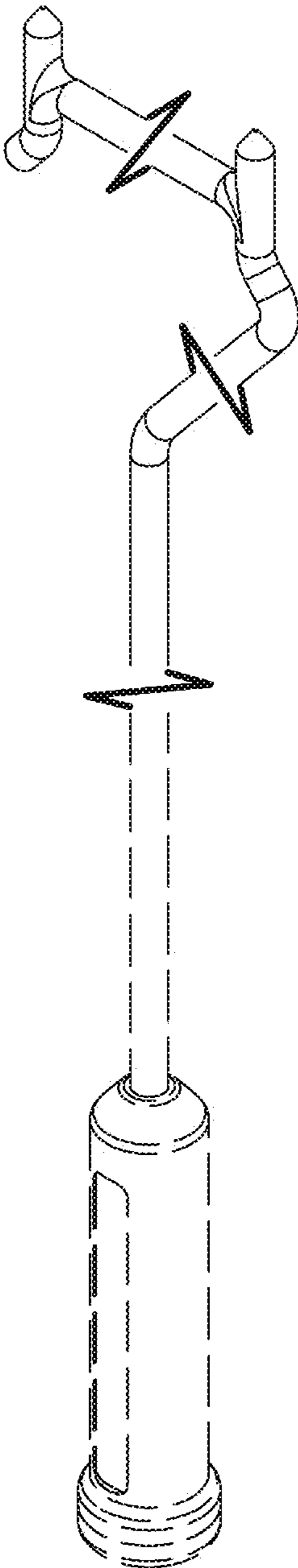


FIG. 1

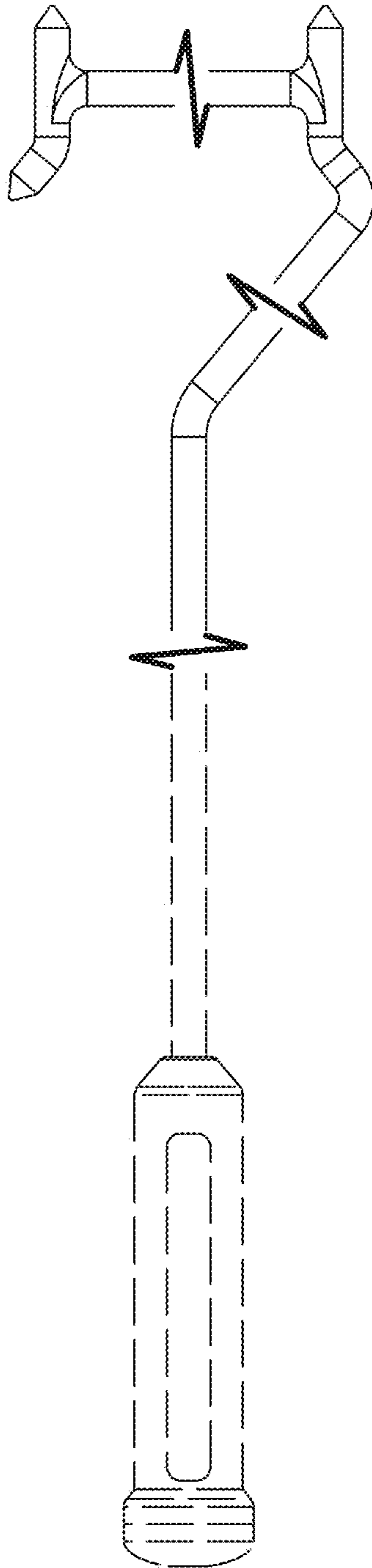


FIG. 2

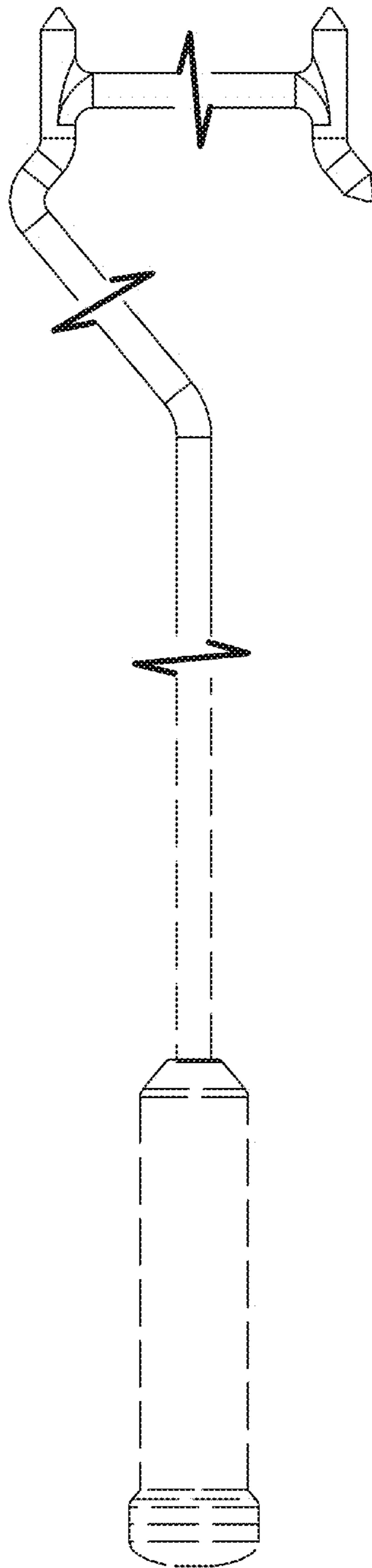


FIG. 3

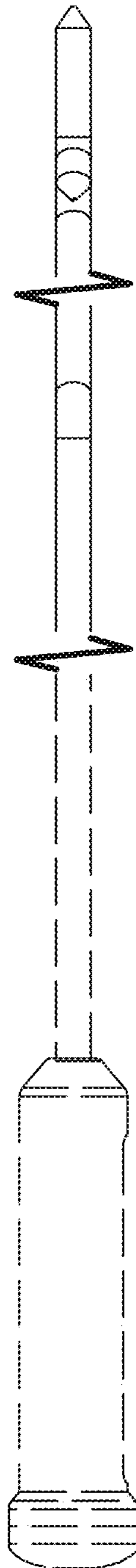


FIG. 4

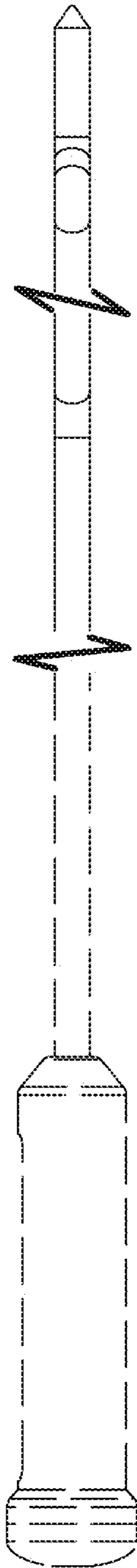


FIG. 5

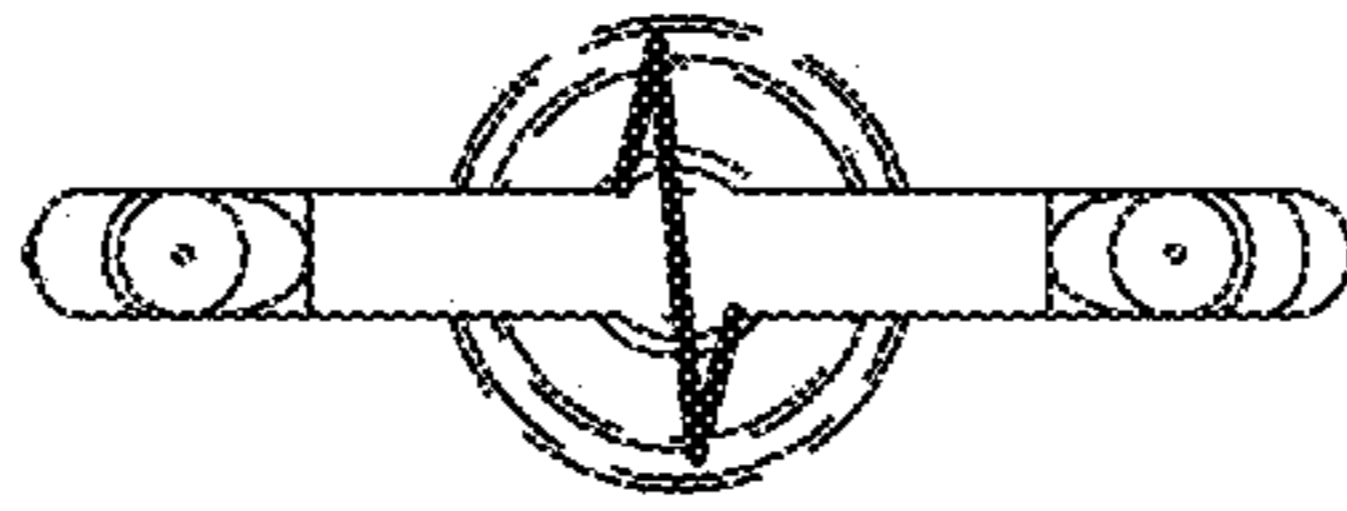


FIG. 6

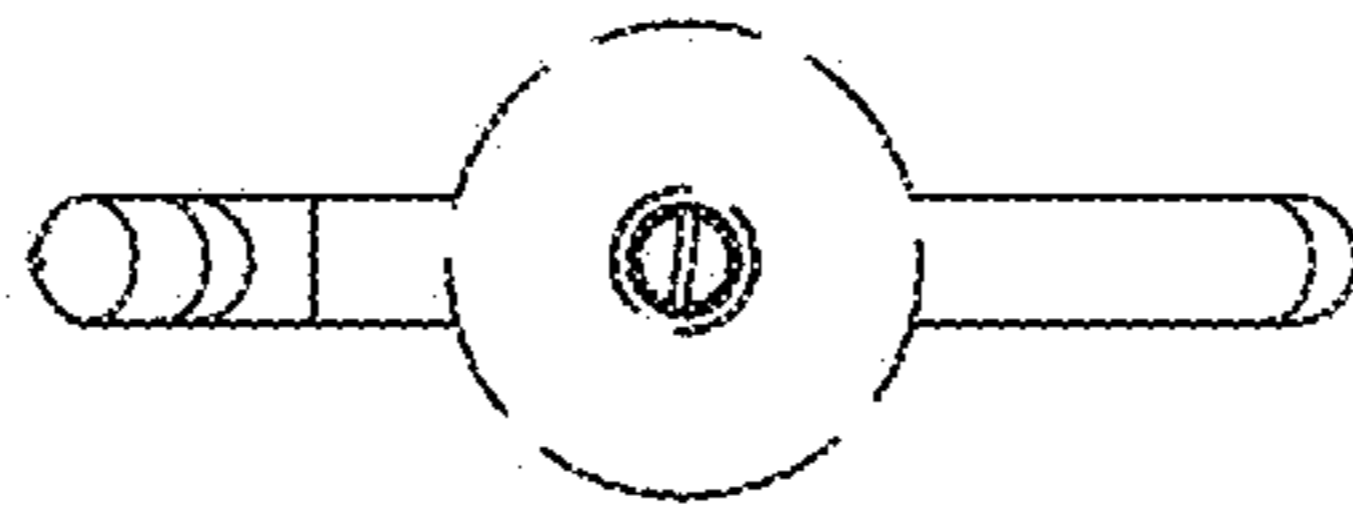


FIG. 7