



US00D769093S

(12) **United States Design Patent** (10) **Patent No.:** **US D769,093 S**  
**Morisawa et al.** (45) **Date of Patent:** **\*\* Oct. 18, 2016**

- (54) **SOCKET FOR WRENCH**
- (71) Applicant: **TONE CO., LTD.**, Osaka (JP)
- (72) Inventors: **Youichi Morisawa**, Osaka (JP);  
**Motohiro Hirao**, Osaka (JP)
- (73) Assignee: **TONE CO., LTD.**, Osaka (JP)
- (\*\*) Term: **14 Years**
- (21) Appl. No.: **29/524,163**
- (22) Filed: **Apr. 17, 2015**
- (51) **LOC (10) Cl.** ..... **08-05**
- (52) **U.S. Cl.**  
USPC ..... **D8/29**
- (58) **Field of Classification Search**  
USPC ..... D8/29; 81/60, 177.1, 177.85, 121.1,  
81/124.3, 165-170, 110.1, 176.2, 124.6,  
81/176.1, 176.15, 177.2, 186; 16/110.1  
CPC ..... B25B 13/06; B25B 13/065  
See application file for complete search history.

(56) **References Cited**

U.S. PATENT DOCUMENTS

D506,908 S *	7/2005	Hsien	.....	D8/29
D520,311 S *	5/2006	Saunders	.....	D8/29
D524,615 S *	7/2006	Albertson	.....	D8/29
7,104,163 B2 *	9/2006	Hu	.....	B25B 13/06 81/121.1
D544,322 S *	6/2007	Horobec	.....	D8/29
7,331,260 B2 *	2/2008	Cheng	.....	B25B 13/04 81/119

OTHER PUBLICATIONS

Japanese Patent Office, "Prior Art Search Report for Japanese Design Appl. No. 2014-023520 (and English language translation)", Mar. 31, 2015, 2 pp.

W. W. Grainger, Inc., "A wrench of Item No. 22DL60 downloaded from the website of W. W. Grainger, Inc. (Prior Art Document number stored in the JPO's design section HJ25040959)", from JP Prior Art Search Report for JP design appl. No. 2014-023520, dated Mar. 31, 2015, 4 pp.

W. W. Grainger, Inc., "A wrench of Item No. 22DL59 downloaded from the website of W. W. Grainger, Inc. (Prior Art Document number stored in the JPO's design section HJ25042083)", from JP Prior Art Search Report for JP design appl. No. 2014-023520, dated Mar. 31, 2015, 4 pp.

W. W. Grainger, Inc., "A wrench of Item No. 15W153 downloaded from the website of W. W. Grainger, Inc. (Prior Art Document number stored in the JPO's design section HJ24030375)", from JP Prior Art Search Report for JP design appl. No. 2014-023520, dated Mar. 31, 2015, 4 pp.

\* cited by examiner

*Primary Examiner* — Randall Gholson

(74) *Attorney, Agent, or Firm* — Eckert Seamans Cherin & Mellott, LLC; Grant E. Coffield

(57) **CLAIM**

The ornamental design for a socket for wrench, as shown and described.

**DESCRIPTION**

FIG. 1 is a perspective view of a socket for wrench;  
 FIG. 2 is a front elevational view thereof;  
 FIG. 3 is a rear elevational view thereof;  
 FIG. 4 is a right side elevational view thereof;  
 FIG. 5 is a top plan view thereof;  
 FIG. 6 is a sectional view taken along line A-A of FIG. 2;  
 and,  
 FIG. 7 is a partial perspective sectional view thereof.  
 The left side view and the bottom plan view are symmetrical to the right side view and the top plan view respectively and thus, they are omitted.  
 The broken lines in the drawings show unclaimed subject matter only and form no part of the claimed design.

**1 Claim, 4 Drawing Sheets**

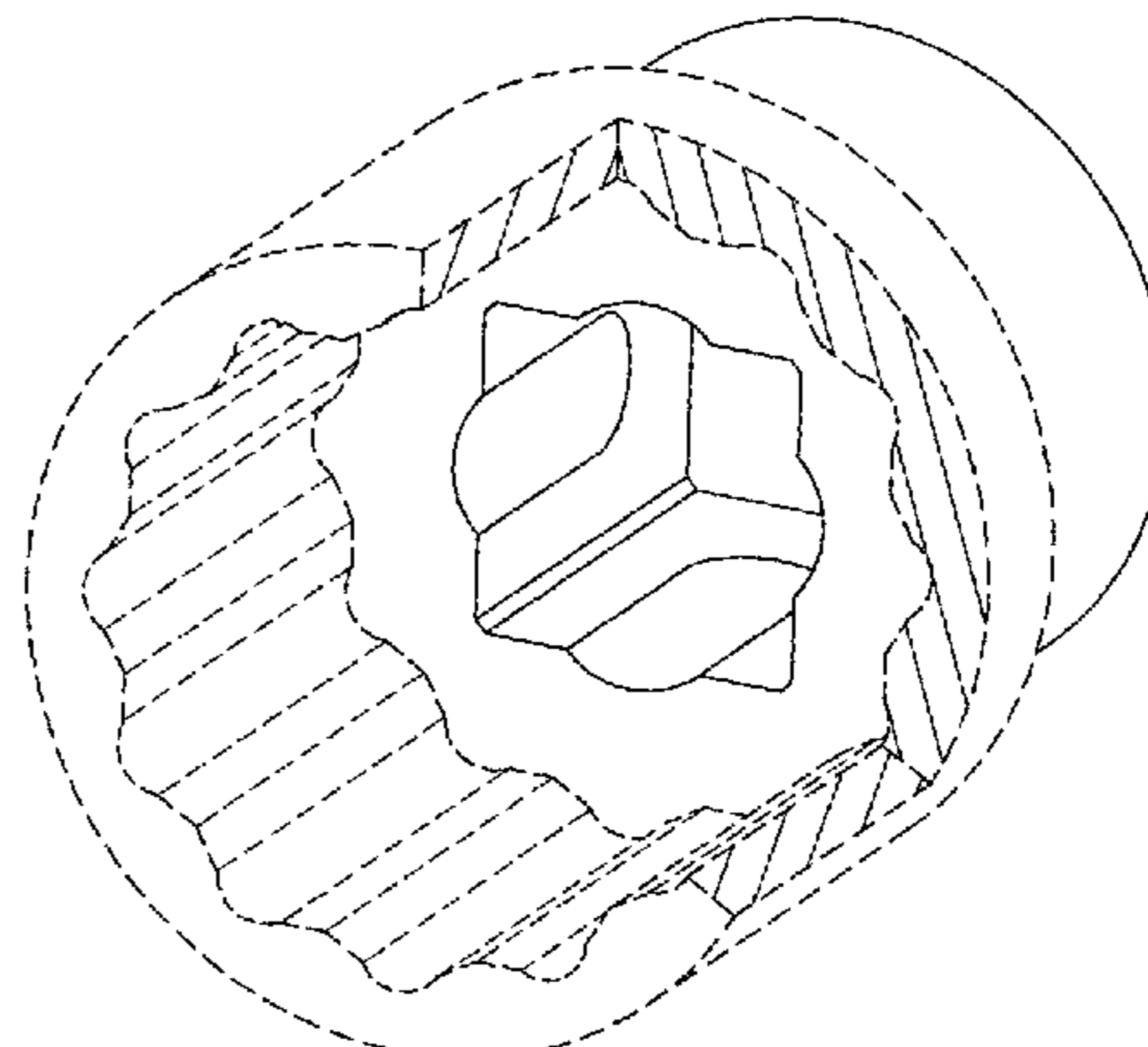
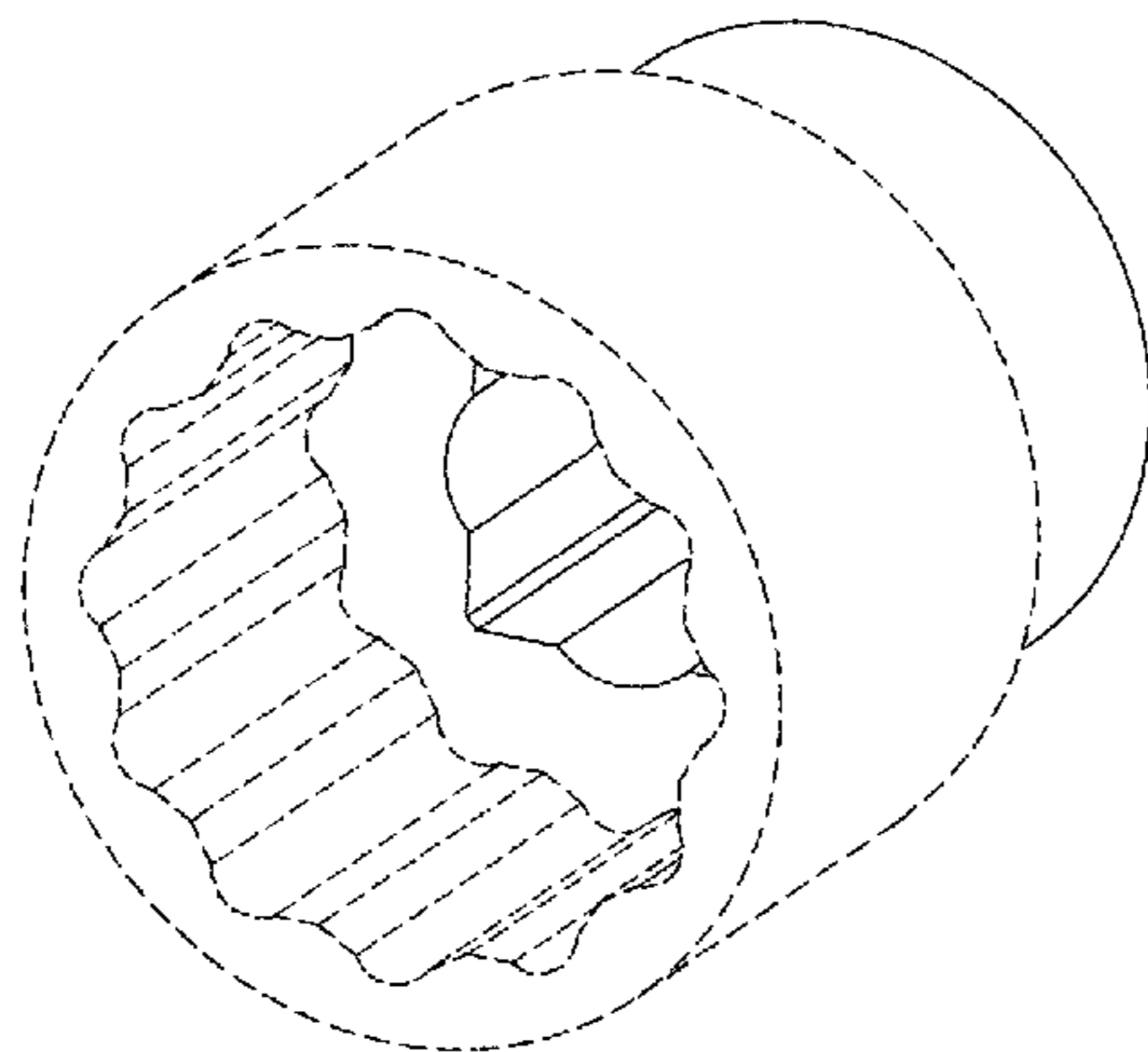


FIG. 1

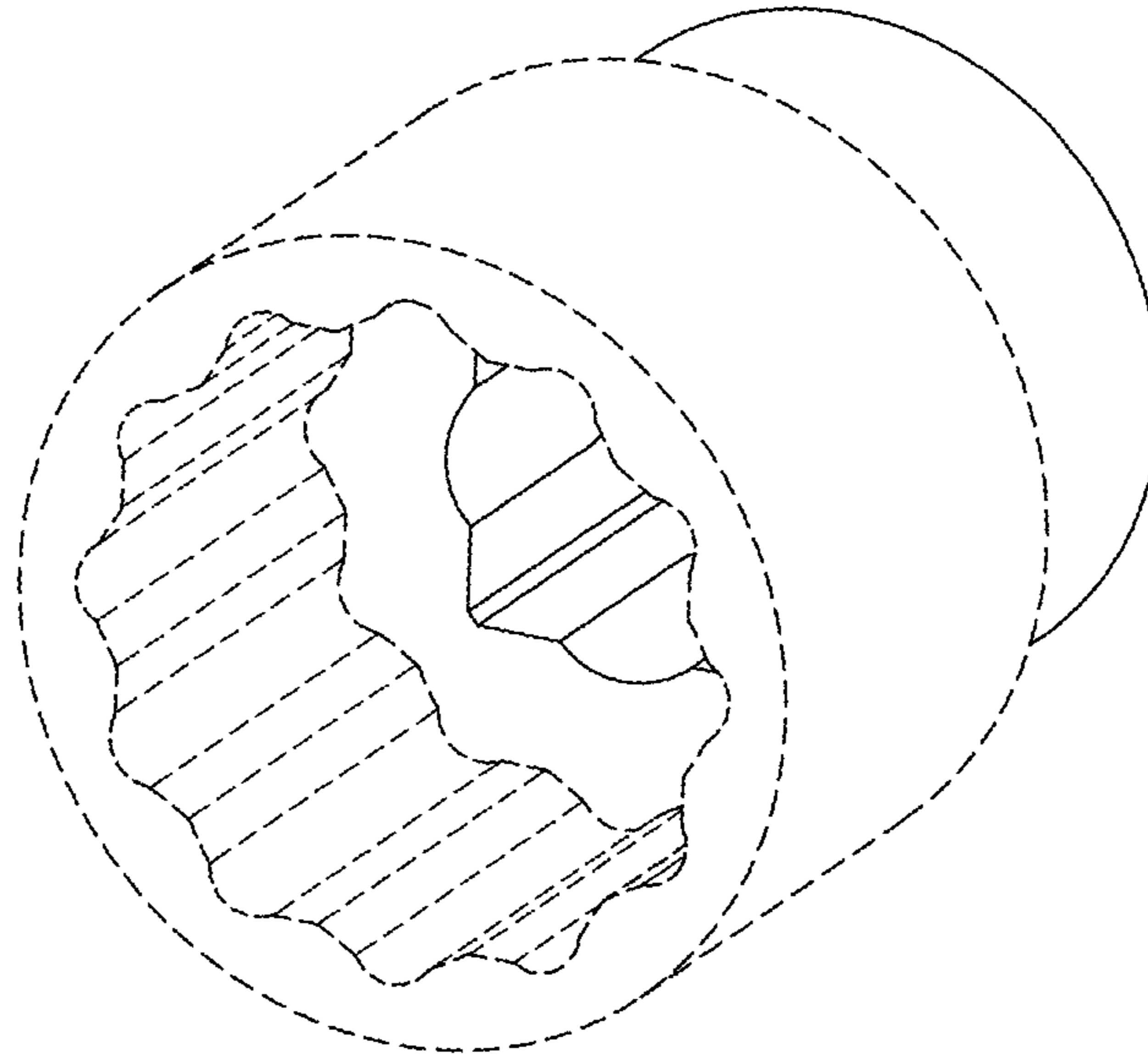


FIG. 2

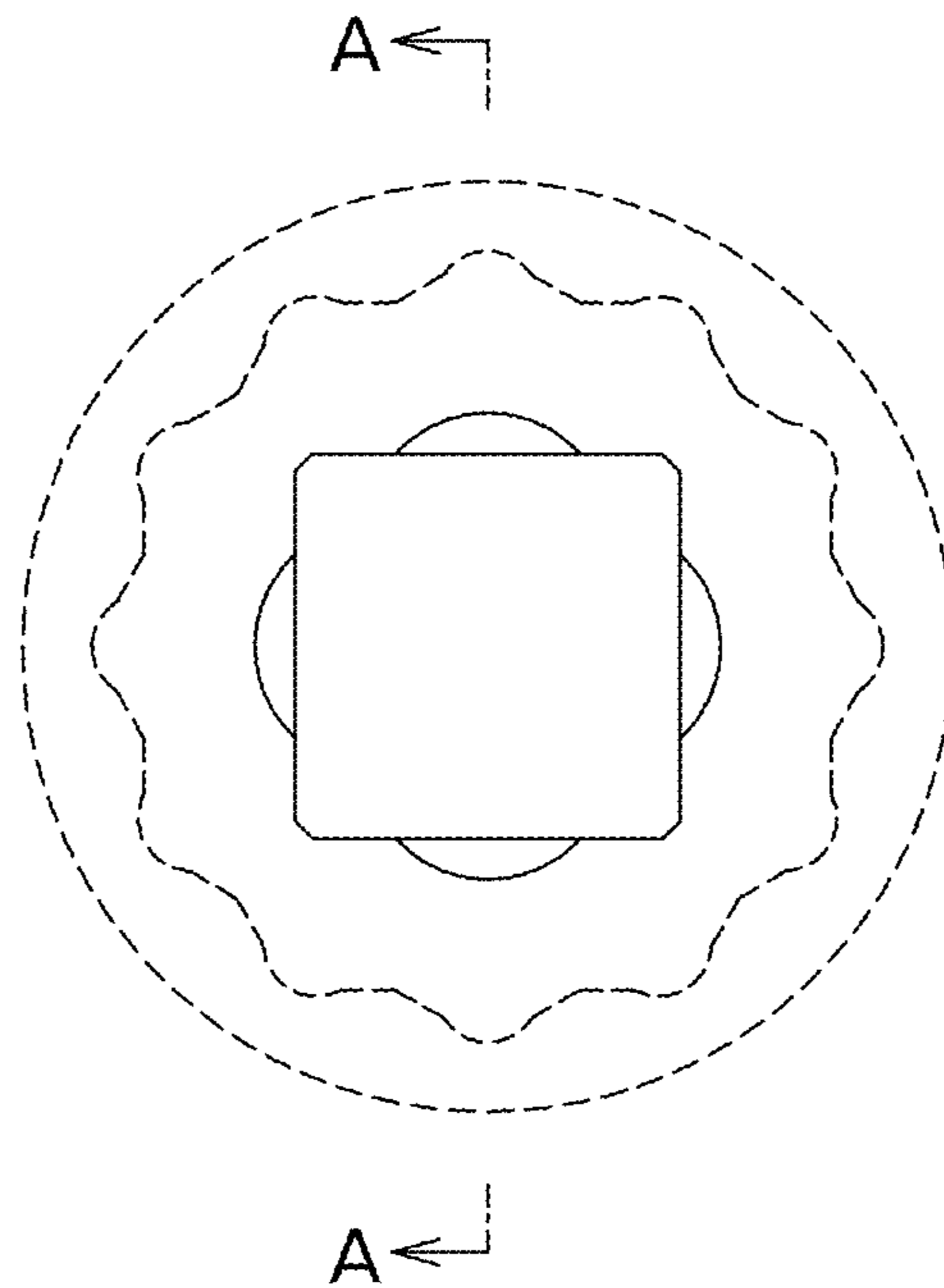


FIG. 3

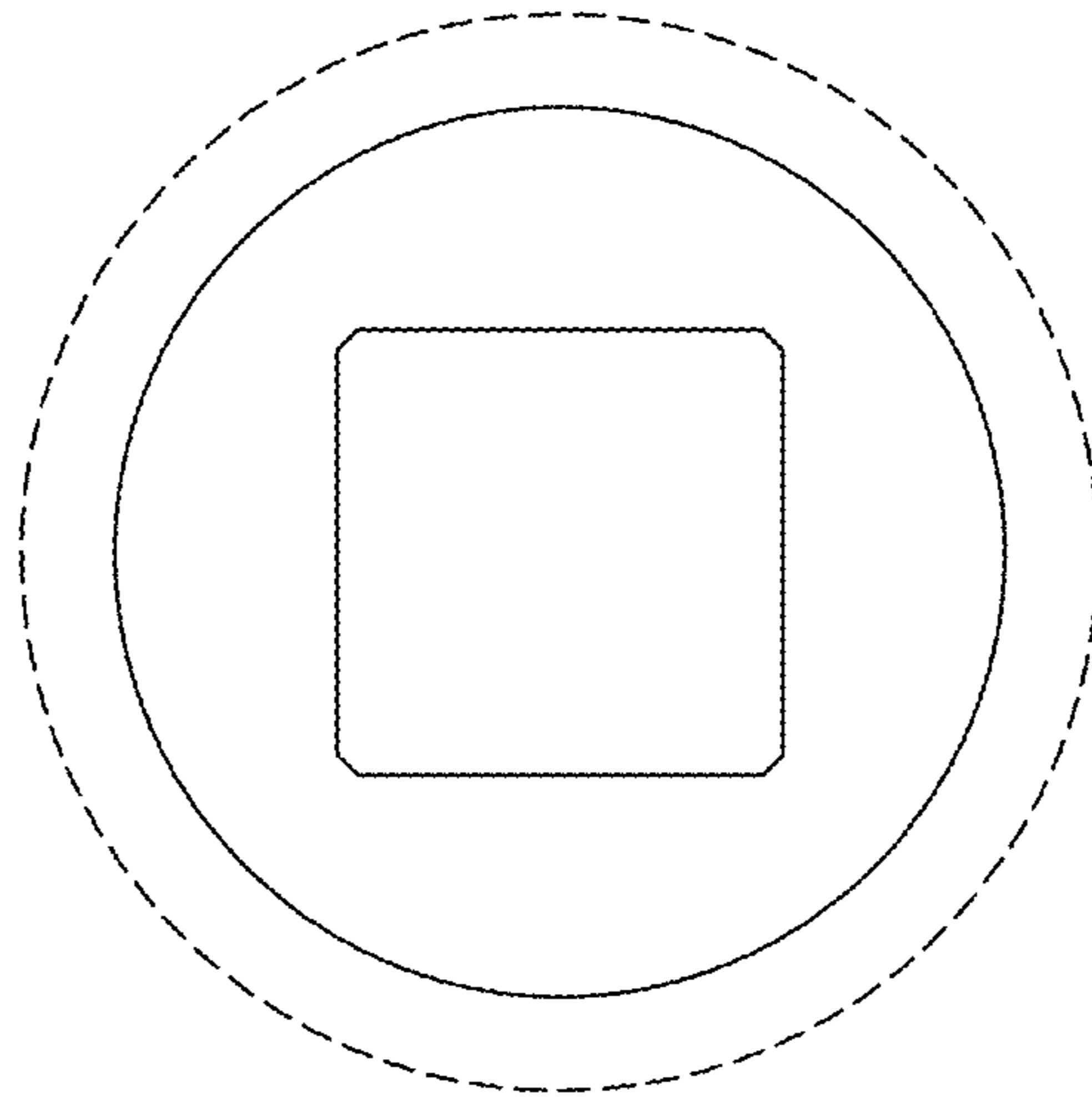


FIG. 4

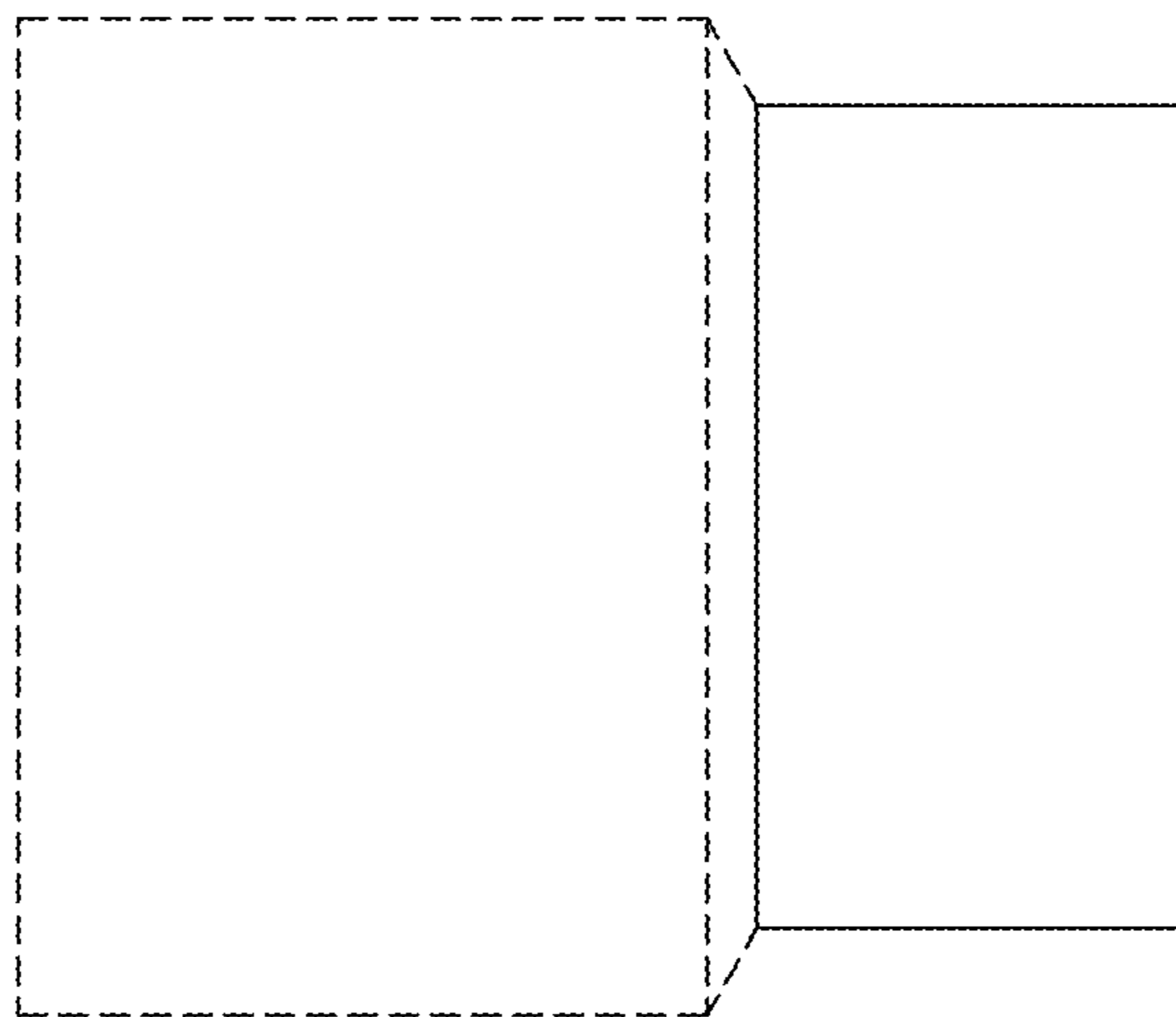


FIG. 5

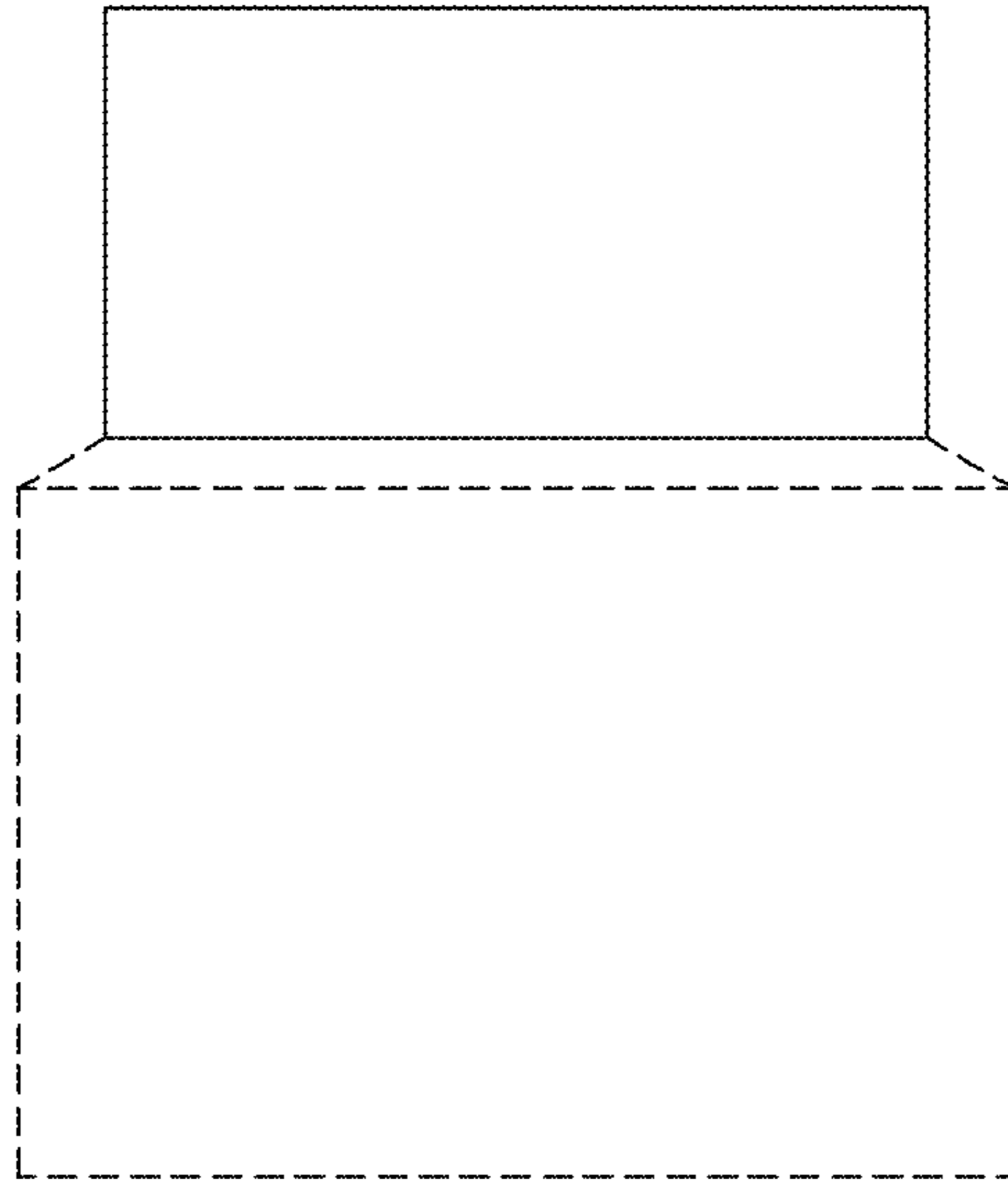


FIG. 6

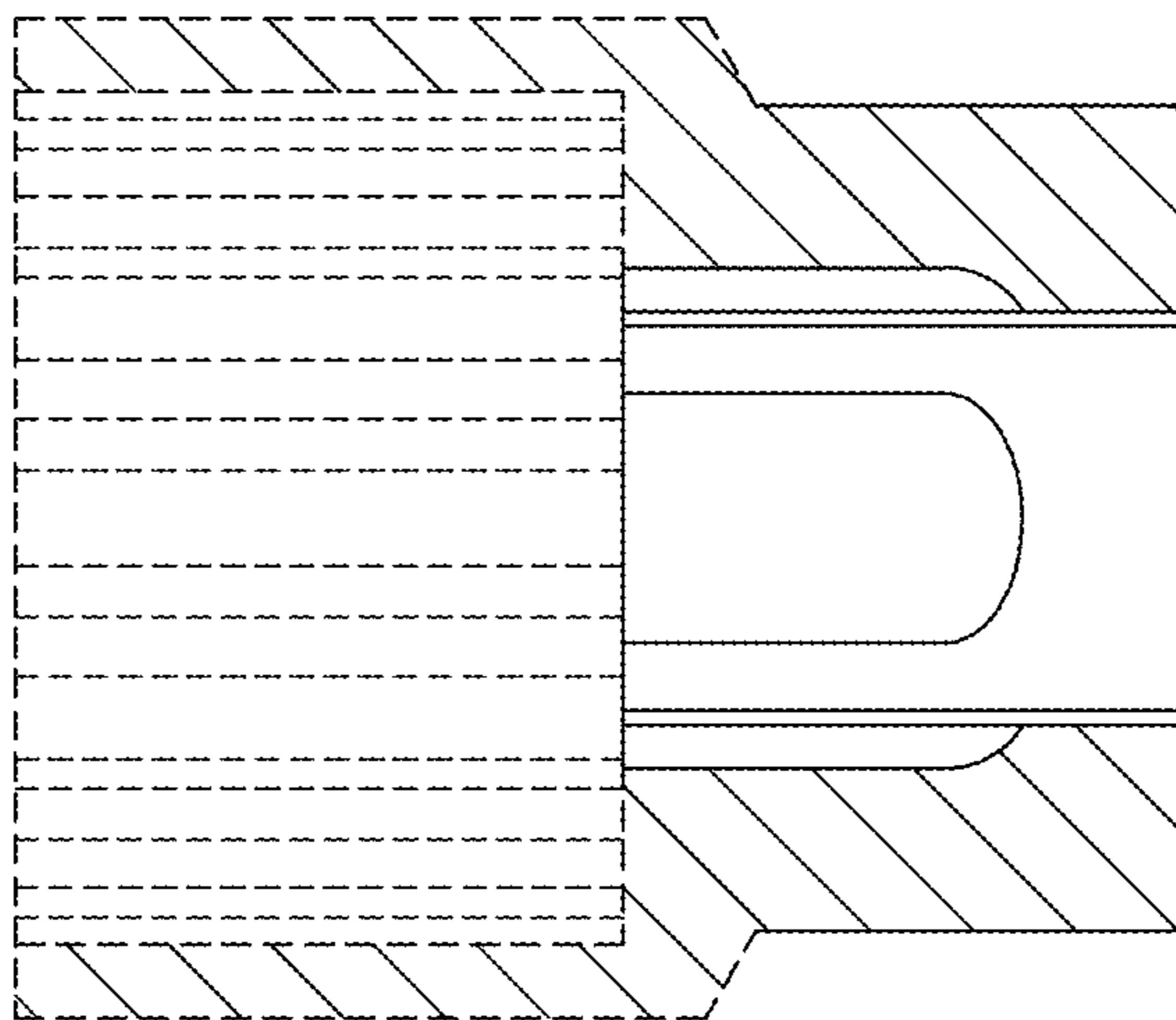


FIG. 7

