



US00D769091S

(12) **United States Design Patent**
Dickson

(10) **Patent No.:** **US D769,091 S**

(45) **Date of Patent:** **** Oct. 18, 2016**

(54) **BOTTLE OPENER**

(71) Applicant: **Michael Dickson**, Durham, NC (US)

(72) Inventor: **Michael Dickson**, Durham, NC (US)

(**) Term: **14 Years**

(21) Appl. No.: **29/523,043**

(22) Filed: **Apr. 6, 2015**

(51) **LOC (10) Cl.** **08-05**

(52) **U.S. Cl.**
USPC **D8/18**

(58) **Field of Classification Search**
USPC D8/16, 17, 18, 19, 20, 105, 363, 366,
D8/370-377, 380-382

CPC B25F 1/00; B25F 1/02; A45F 2200/0575;
G01B 5/18

See application file for complete search history.

(56) **References Cited**

U.S. PATENT DOCUMENTS

D41,807 S *	9/1911	Beach	81/3.55
D46,218 S *	8/1914	Jacobus	81/3.55
D100,469 S *	7/1936	Frins	D8/18
D140,183 S *	1/1945	Smith	D8/18
D200,252 S *	2/1965	Brown	D8/18
D220,744 S *	5/1971	Guthrie	D8/18
D240,497 S *	7/1976	Riba	D8/18
D245,393 S *	8/1977	Madsen	D8/18
D252,849 S *	9/1979	Weiss	D8/18
D269,246 S *	6/1983	Kroeger	D8/18

D311,667 S *	10/1990	Cholagh	D8/18
D319,954 S *	9/1991	Able	D8/18
D504,289 S	4/2005	Kelleghan	
D732,913 S *	6/2015	Lozano	D8/18
D749,383 S *	2/2016	Crane	D8/18

OTHER PUBLICATIONS

Bottle opener. Design of Jesse Jarosz. Jul. 2014.

* cited by examiner

Primary Examiner — Robert M Spear

Assistant Examiner — Eliza Bennett-Hattan

(74) *Attorney, Agent, or Firm* — Coats & Bennett,
P.L.L.C.

(57) **CLAIM**

The ornamental design for a bottle opener, as shown and described.

DESCRIPTION

FIG. 1 is a front perspective view of a bottle opener showing the new design.

FIG. 2 is a plan view of the front of the bottle opener.

FIG. 3 is a plan view of the rear of the bottle opener.

FIG. 4 is a top side elevation view of the bottle opener.

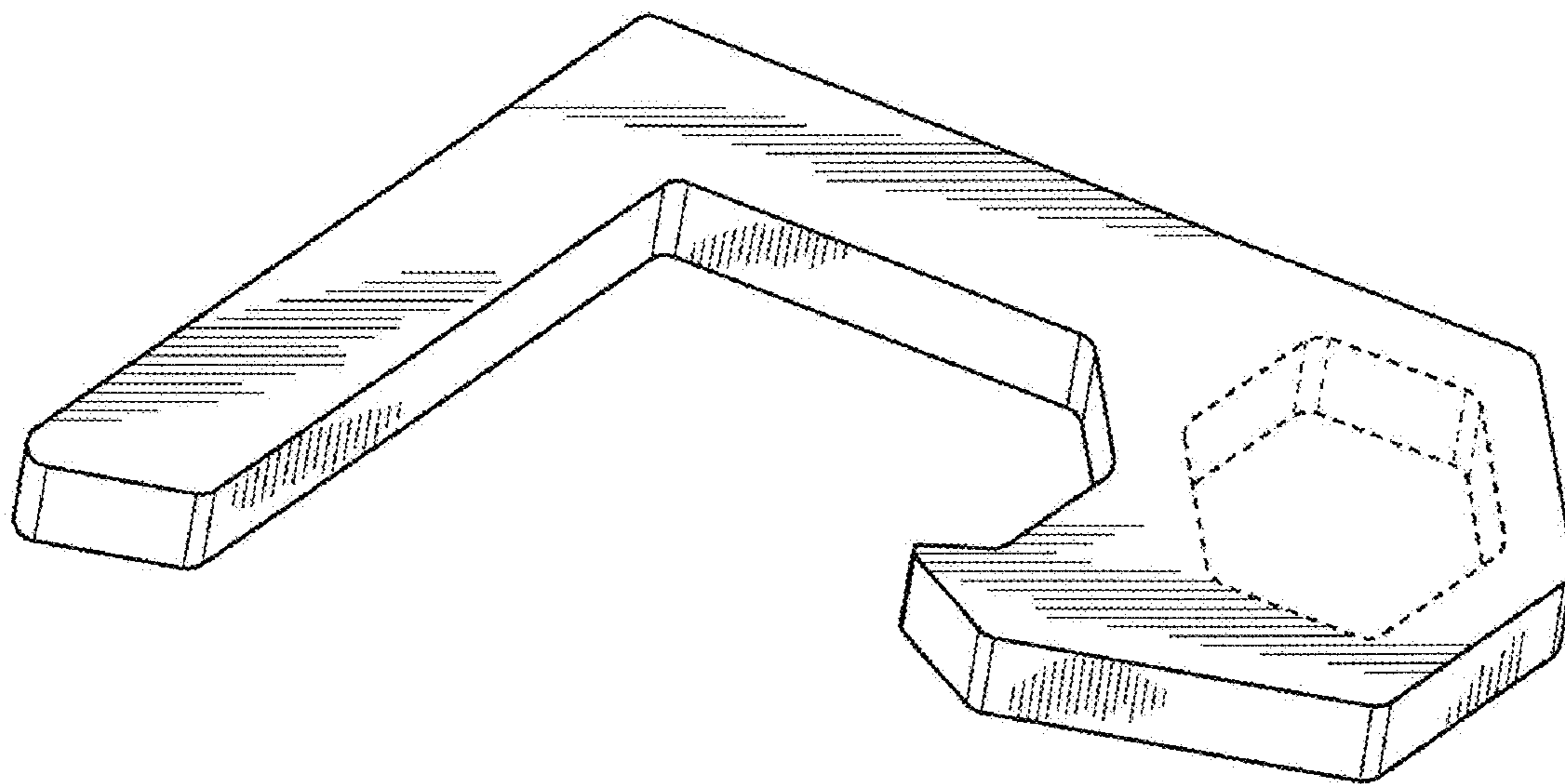
FIG. 5 is a bottom side elevation view of the bottle opener.

FIG. 6 is a left side elevation view of the bottle opener; and,

FIG. 7 is a right side elevation view of the bottle opener.

The broken lines in the drawing depict environmental subject matter only and form no part of the claimed design.

1 Claim, 5 Drawing Sheets



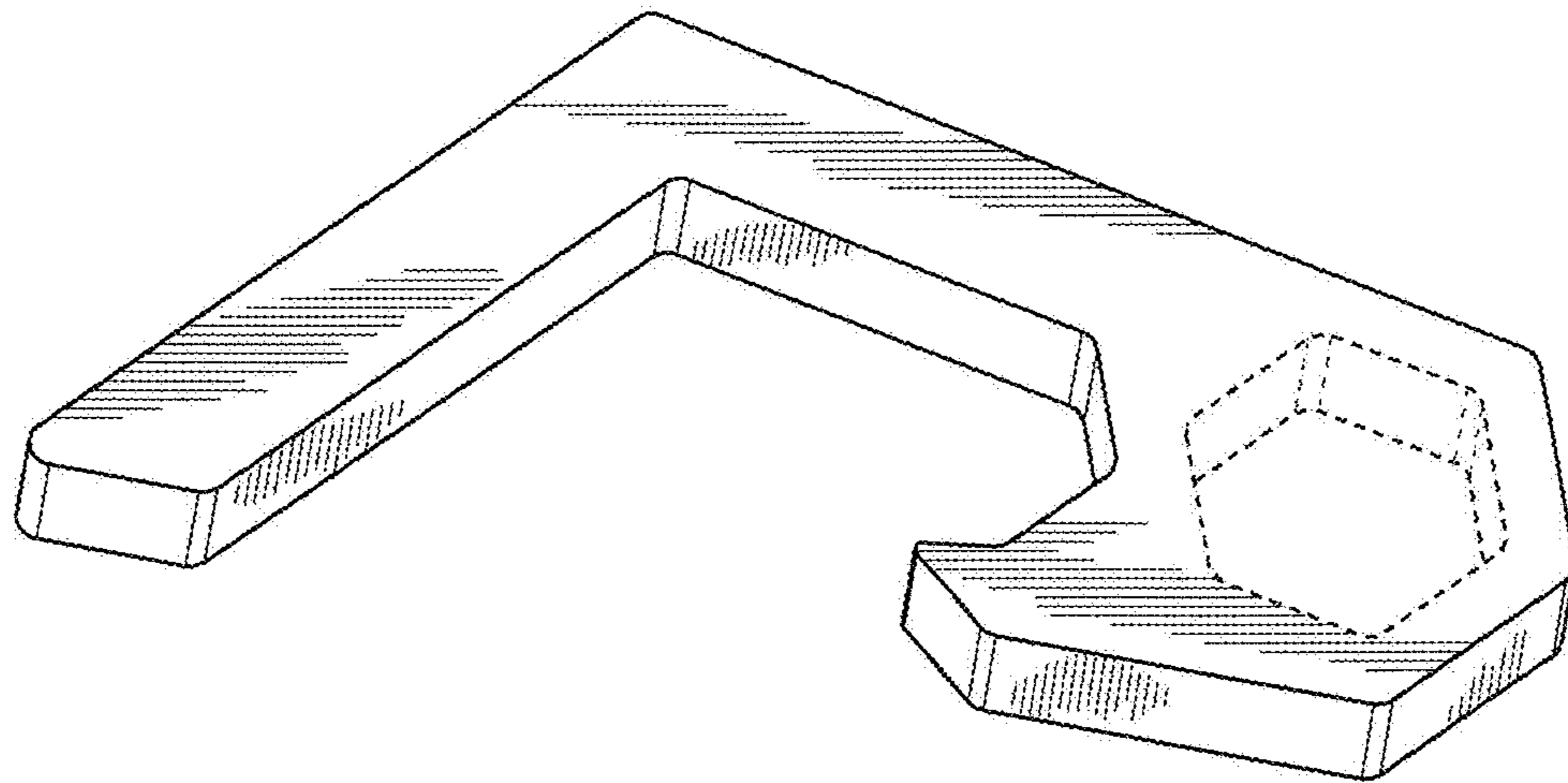


FIG. 1

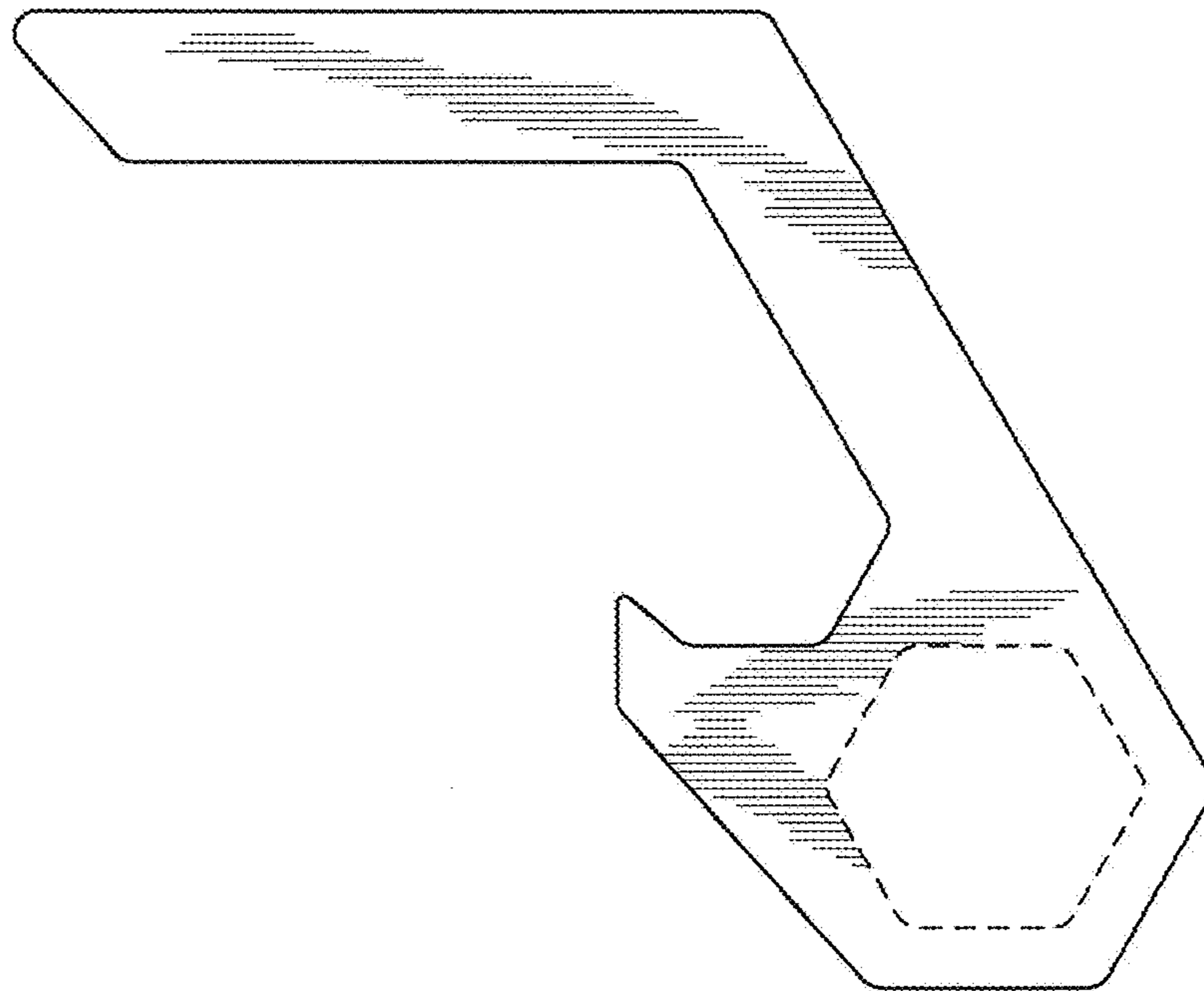


FIG. 2

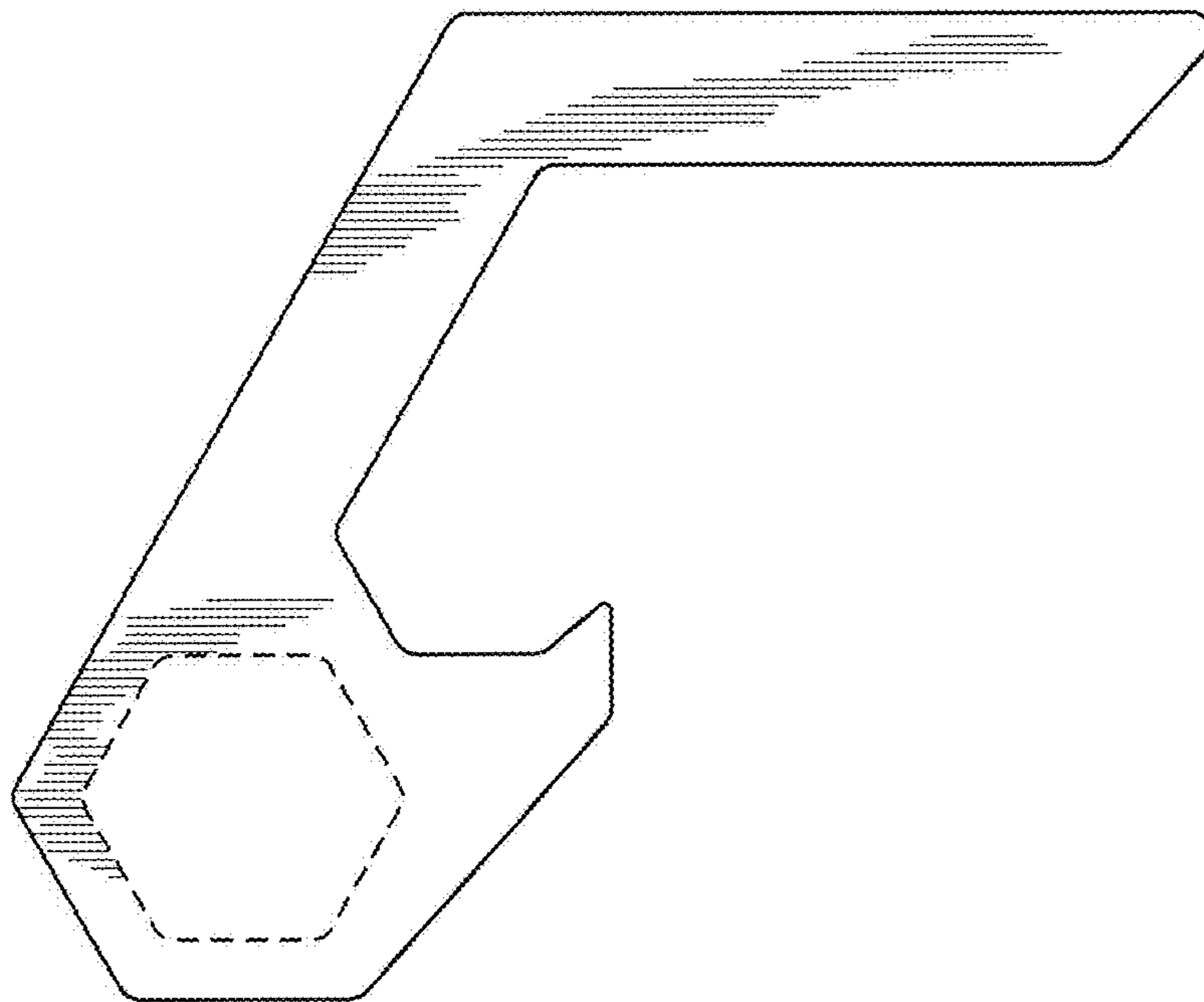


FIG. 3



FIG. 4



FIG. 5



FIG. 6



FIG. 7