

US00D769088S

(12) **United States Design Patent** (10) **Patent No.:** **US D769,088 S**
Alliss (45) **Date of Patent:** **** Oct. 18, 2016**

(54) **WEED TRIMMER HEAD SPOOL WITH ANGLED GUIDE CHANNEL**
(71) Applicant: **George E. Alliss**, Fairmont, NC (US)
(72) Inventor: **George E. Alliss**, Fairmont, NC (US)
(**) Term: **15 Years**
(21) Appl. No.: **29/546,391**
(22) Filed: **Nov. 22, 2015**
(51) **LOC (10) Cl.** **08-01**
(52) **U.S. Cl.**
USPC **D8/8**
(58) **Field of Classification Search**
USPC D8/1, 7, 8, 9, 383, 499; D2/978
CPC .. A01D 34/412; A01D 34/416; A01D 34/01;
A01D 34/015; A01D 34/4161; A01D
34/4165; A01D 34/4166; A01D 34/4167
See application file for complete search history.

2009/0282687 A1* 11/2009 Arnetoli A01D 34/4161
30/276
2011/0000091 A1* 1/2011 Proulx A01D 34/4165
30/276
2011/0119932 A1* 5/2011 Pfaltzgraff A01D 34/4165
30/347
2011/0214295 A1* 9/2011 Proulx A01D 34/416
30/276
2011/0225832 A1* 9/2011 Alliss A01D 34/4162
30/347
2011/0232106 A1* 9/2011 Andrews A01D 34/4165
30/276
2012/0066913 A1* 3/2012 Alliss A01D 34/4165
30/276
2013/0133208 A1* 5/2013 Skinner A01D 34/4163
30/347
2015/0121707 A1* 5/2015 Li A01D 34/4166
30/276
2015/0150191 A1* 6/2015 Alliss A01D 34/4163
30/276

* cited by examiner

Primary Examiner — Sheryl Lane

Assistant Examiner — Ieisha Price

(74) Attorney, Agent, or Firm — Merek, Blackmon & Voorhees, LLC

(56) **References Cited**

U.S. PATENT DOCUMENTS

3,937,419 A * 2/1976 Bon A01K 89/00
242/118.4
4,043,103 A * 8/1977 Lakin A01D 34/416
30/276
4,124,938 A * 11/1978 Ballas, Sr. A01G 3/06
30/276
4,162,575 A * 7/1979 Ballas A01D 34/4165
242/118.4
4,550,498 A * 11/1985 Oliver A01D 34/416
30/276
6,263,580 B1 * 7/2001 Stark A01D 34/4163
30/276
D465,975 S * 11/2002 Iacona D8/8
8,266,805 B1 * 9/2012 Alliss A01D 34/4163
30/276
D755,920 S * 5/2016 Kim D22/137
2003/0052218 A1 * 3/2003 Knizner A01D 34/416
242/590
2003/0226261 A1 * 12/2003 Iacona A01D 34/4163
30/276
2007/0180707 A1 * 8/2007 Nystrom A01D 34/416
30/347
2009/0260237 A1 * 10/2009 Alliss A01D 34/4162
30/276

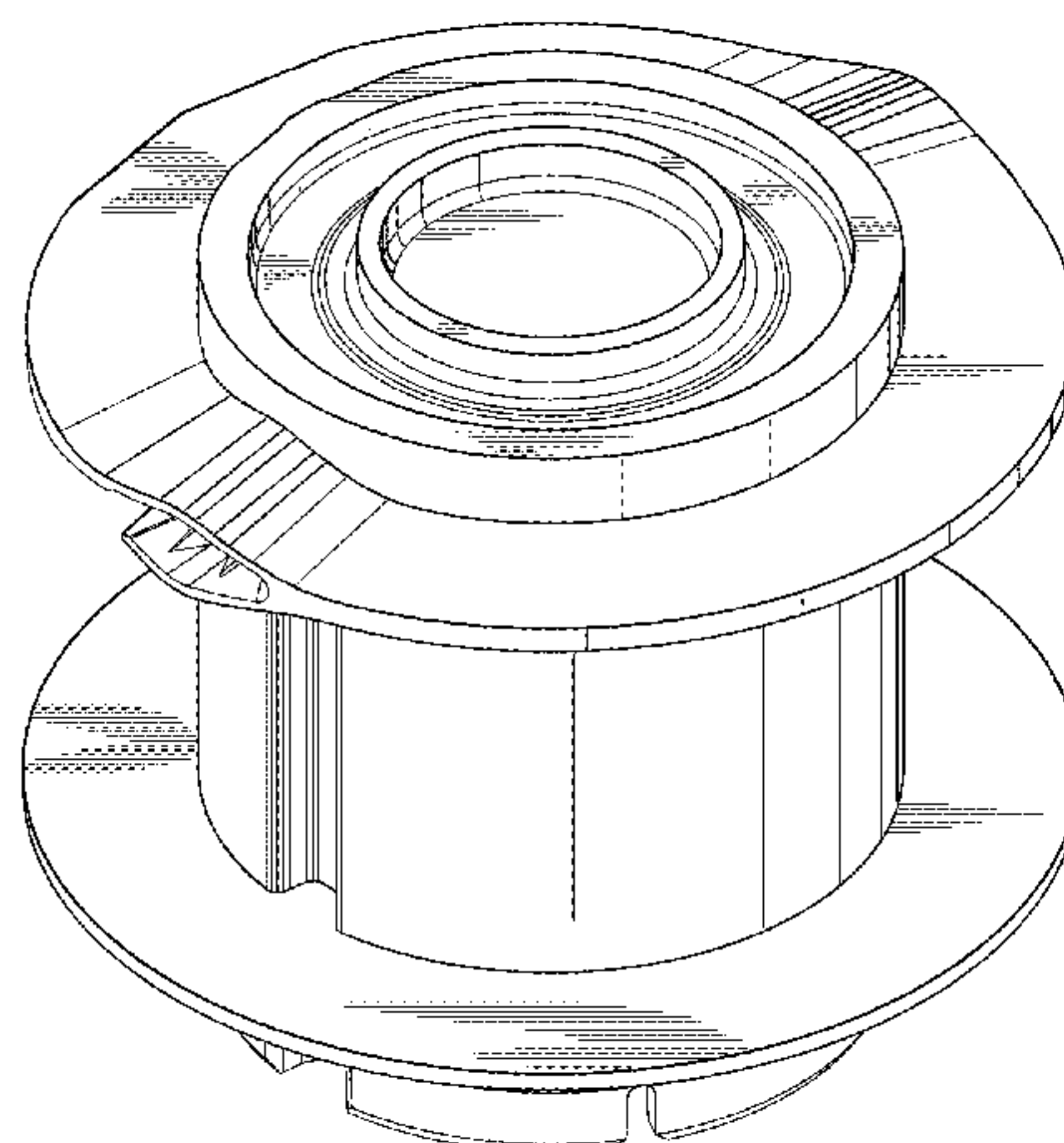
(57) **CLAIM**

The ornamental design for a weed trimmer head spool with angled guide channel, as shown and described.

DESCRIPTION

FIG. 1 is a perspective view of a weed trimmer head spool with angled guide channel showing my new design; FIG. 2 is a front elevational view thereof with the rear elevational being a mirror image thereof; FIG. 3 is a cross-sectional view taken along lines 3-3 of FIG. 2; FIG. 4 is a right side elevational view with the left side being a mirror image thereof; FIG. 5 is a top view thereof with the bottom view being a mirror image thereof; and, FIG. 6 is a cross-sectional view taken along lines 6-6 of FIG. 5.

1 Claim, 5 Drawing Sheets



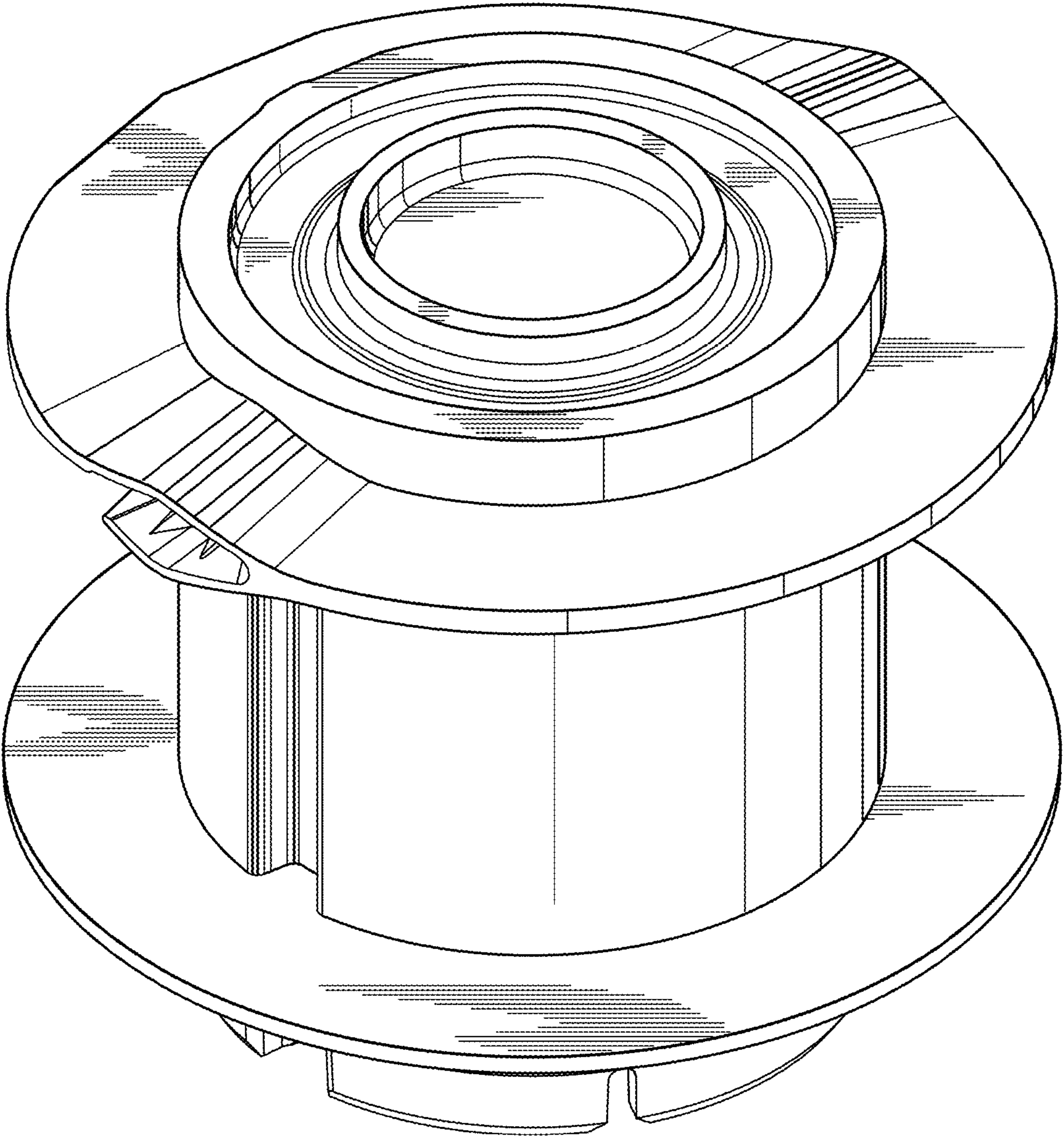


Fig. 1

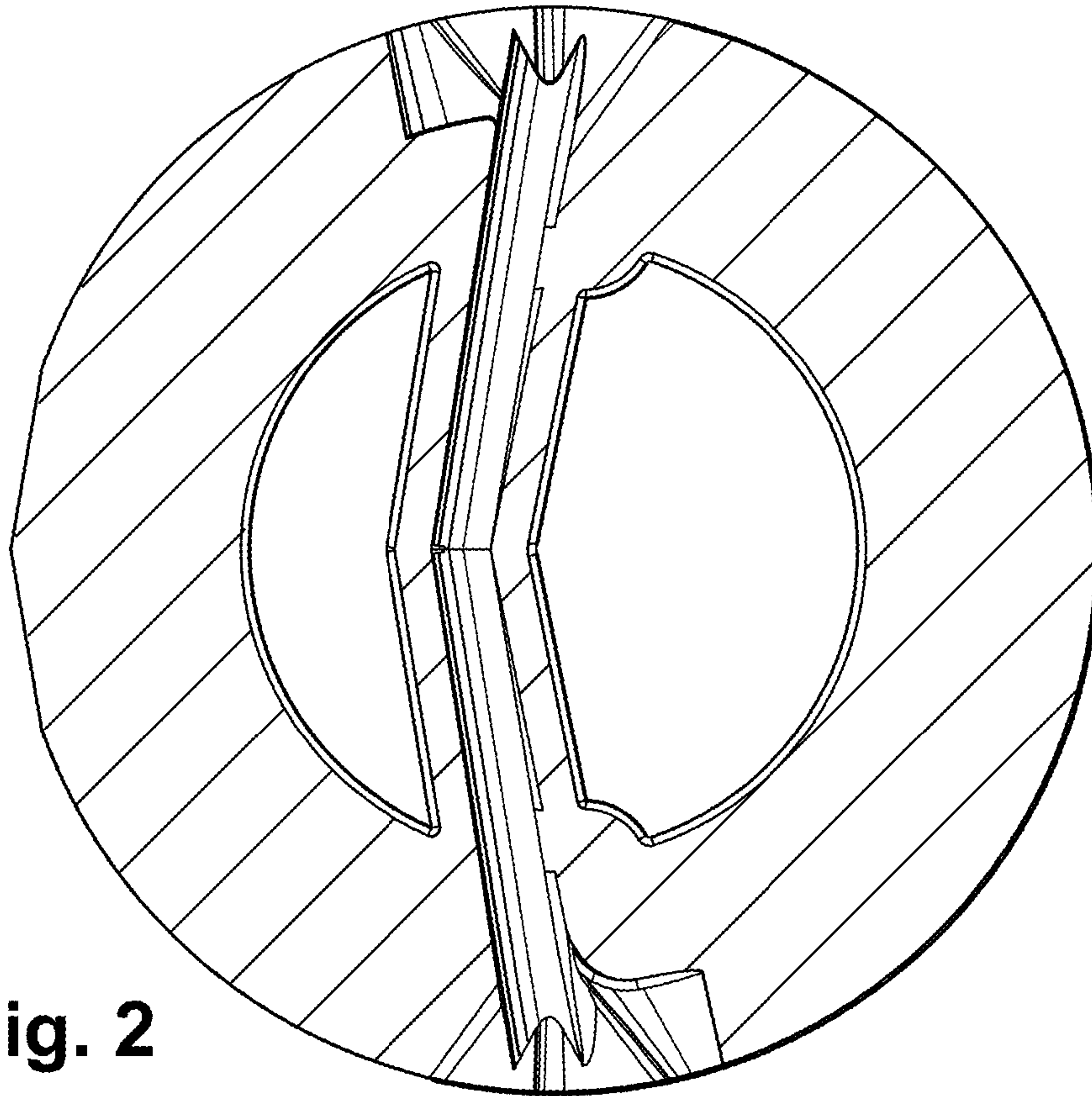


Fig. 2

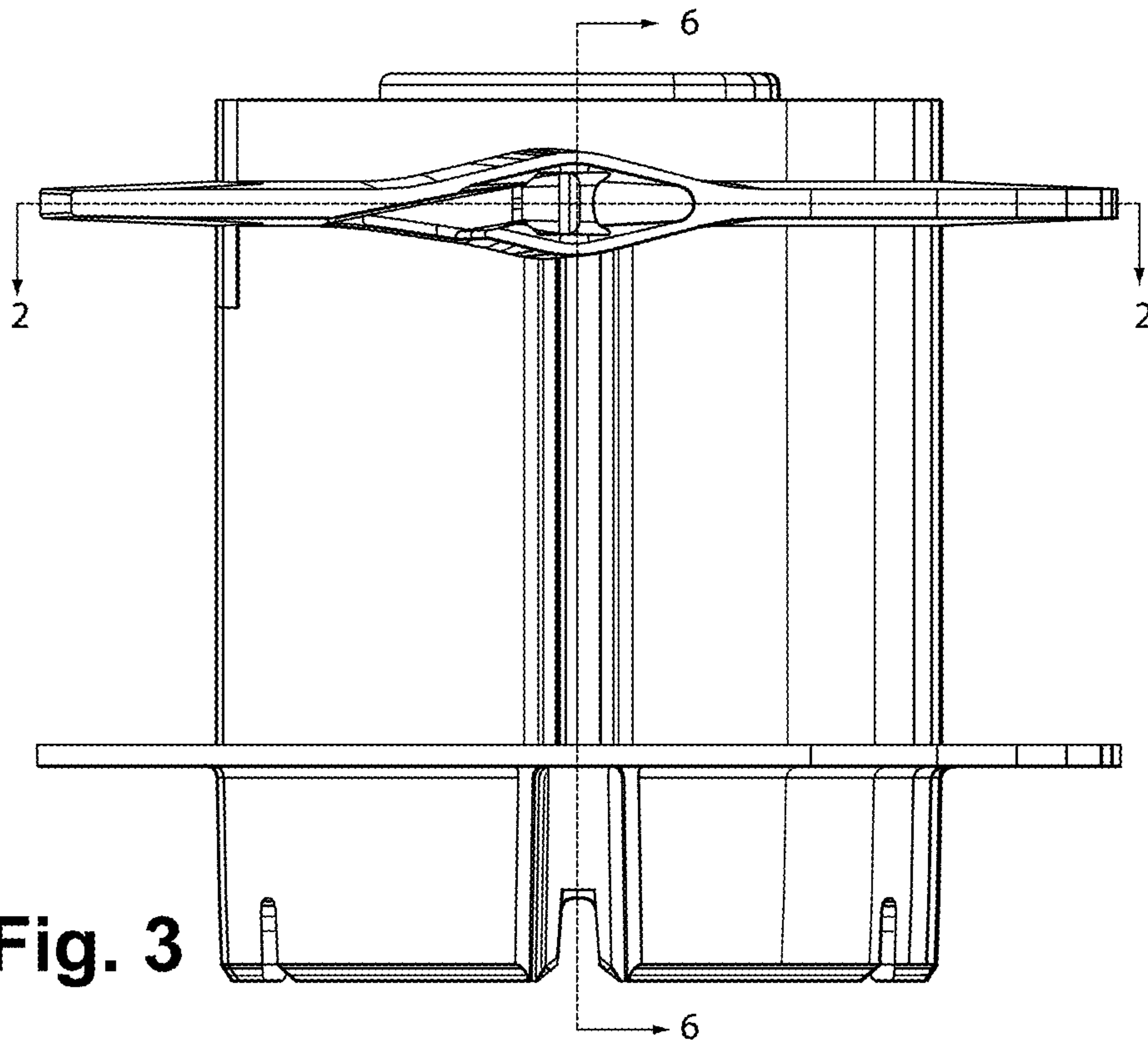


Fig. 3

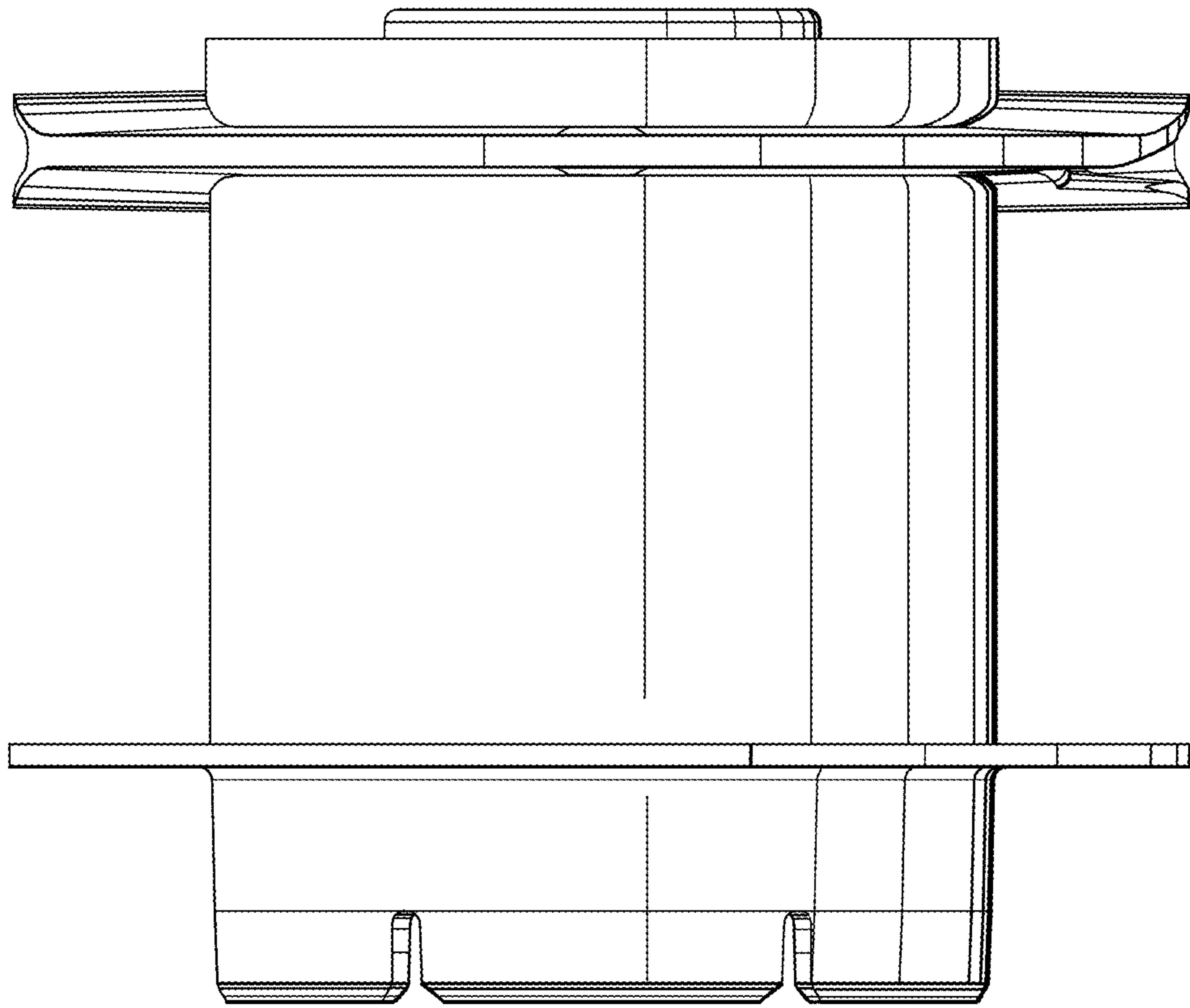


Fig. 4

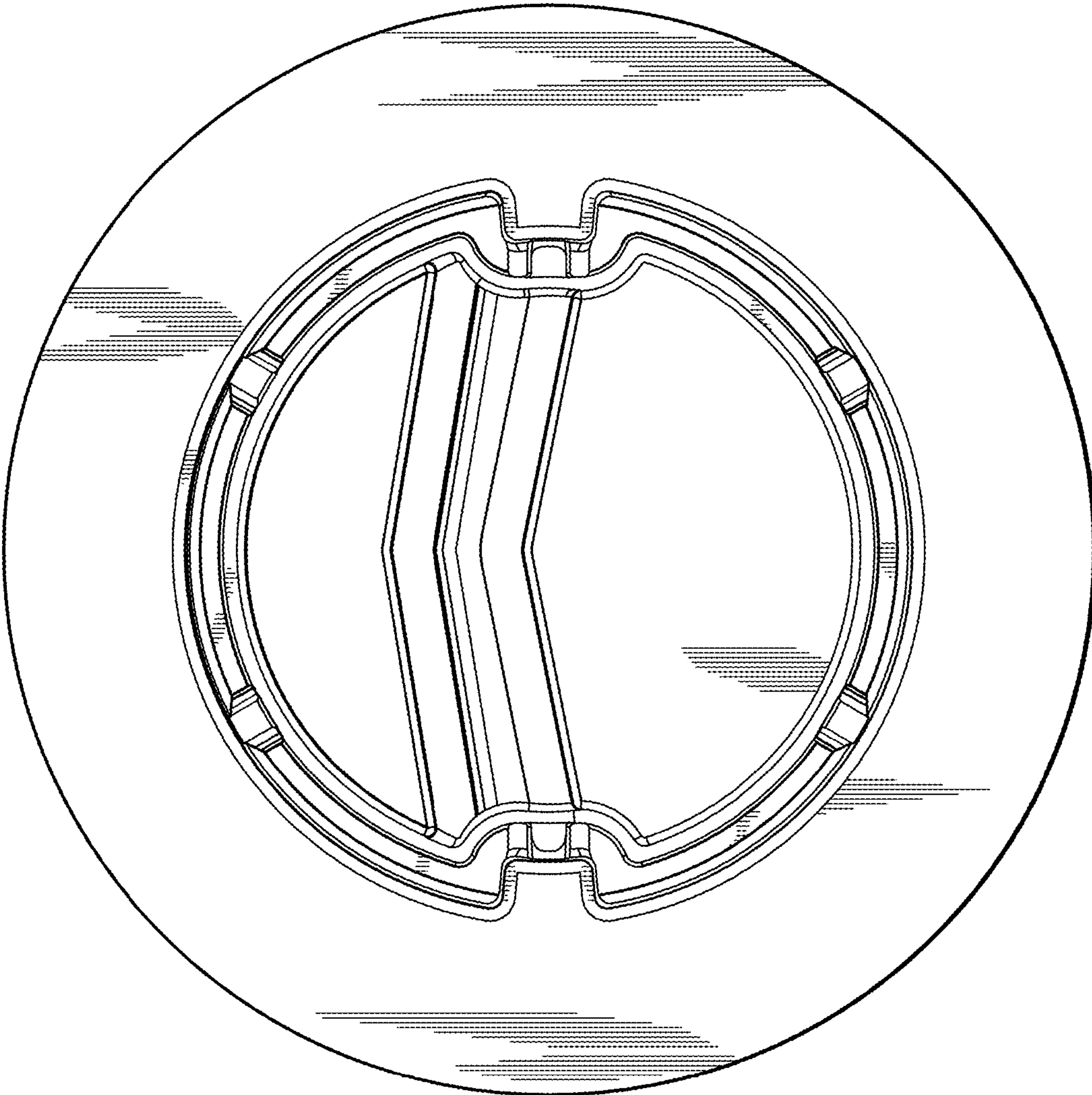


Fig. 5

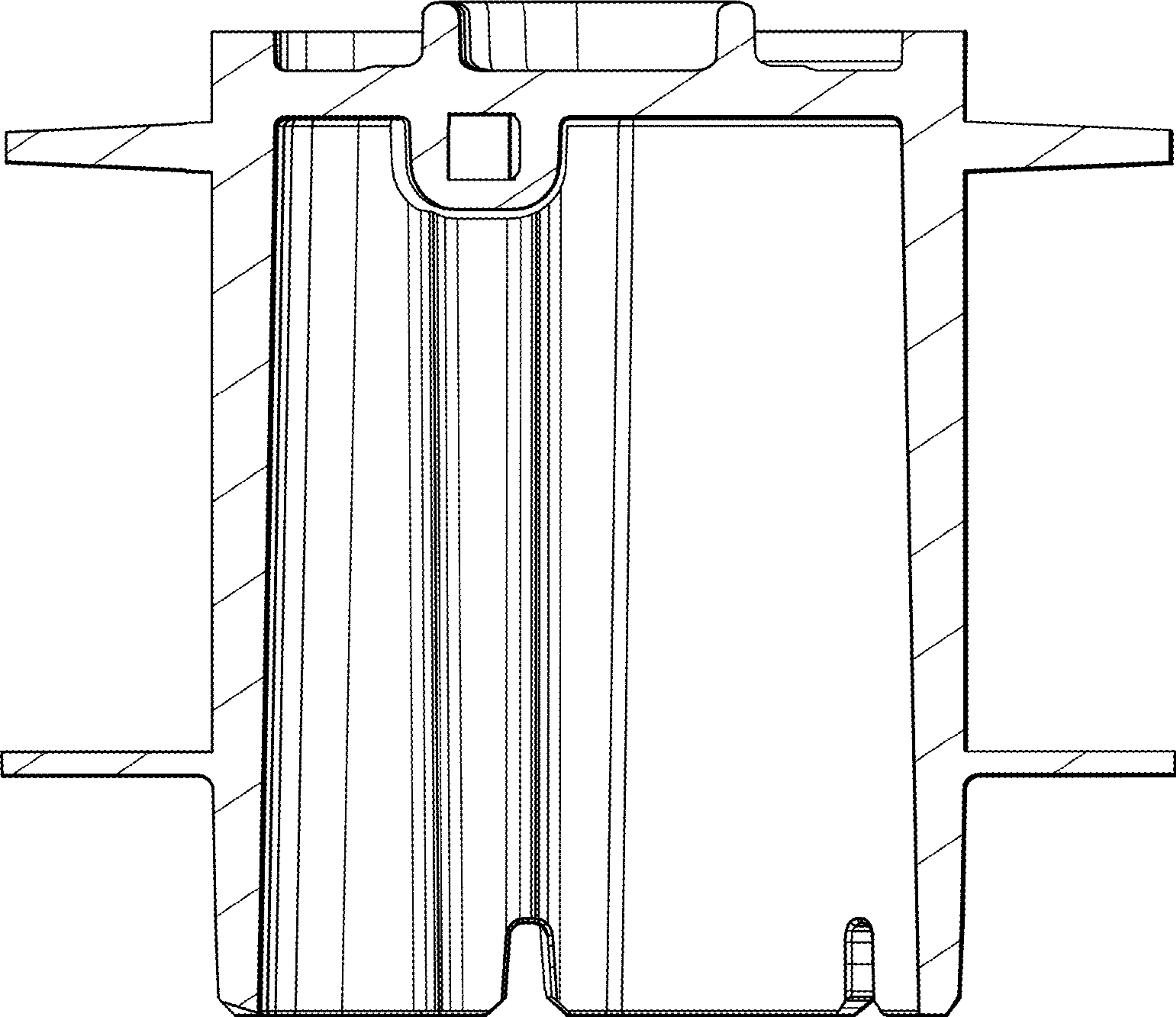


Fig. 6