

US00D769085S

(12) **United States Design Patent**
Smith

(10) **Patent No.:** **US D769,085 S**
(45) **Date of Patent:** **** Oct. 18, 2016**

(54) **ROOT BARRIER**

(71) Applicant: **Floyd Tom Smith**, Anaheim, CA (US)

(72) Inventor: **Floyd Tom Smith**, Anaheim, CA (US)

(**) Term: **14 Years**

(21) Appl. No.: **29/517,900**

(22) Filed: **Feb. 18, 2015**

(51) **LOC (10) Cl.** **08-01**

(52) **U.S. Cl.**
USPC **D8/1**

(58) **Field of Classification Search**
USPC D8/1; D15/199
See application file for complete search history.

(56) **References Cited**

U.S. PATENT DOCUMENTS

- 1,030,761 A * 6/1912 Archer E02D 5/04
405/277
- 3,291,437 A * 12/1966 Bowden E04G 13/021
220/4.11
- 4,281,473 A * 8/1981 Emalfarb A01G 1/08
239/201
- 4,995,191 A * 2/1991 Davis A01G 29/00
47/32
- 5,070,642 A * 12/1991 Albrecht A01G 13/0237
405/279
- 5,168,682 A * 12/1992 Rye E03F 3/04
264/274
- 5,301,826 A * 4/1994 Sandahl F16B 5/004
126/151
- 5,305,549 A * 4/1994 Albrecht A01G 1/08
404/7
- D352,871 S * 11/1994 Miller D8/1
- 5,359,809 A * 11/1994 Johnson A01G 23/04
220/4.24

- 5,442,891 A * 8/1995 Albrecht E02D 31/00
47/32.7
- 5,477,639 A * 12/1995 Smith A01G 29/00
47/33
- 5,528,857 A * 6/1996 Ashleigh A01G 1/08
47/33
- 6,354,038 B1 * 3/2002 Morris A01G 1/08
47/33
- 7,272,911 B2 * 9/2007 Gatliff A01G 9/02
47/58.1 R
- 7,752,805 B2 * 7/2010 Lilborn A01G 13/0237
47/32
- 8,689,484 B2 * 4/2014 Ruskin A01N 25/10
47/32.7
- 9,173,350 B1 * 11/2015 Beutler E04H 17/063

* cited by examiner

Primary Examiner — Patricia Palasik

(74) *Attorney, Agent, or Firm* — Clement Cheng

(57) **CLAIM**

The ornamental design for a root barrier, as shown and described.

DESCRIPTION

FIG. 1 is a front perspective view.

FIG. 2 is a front view.

FIG. 3 is a rear view.

FIG. 4 is a left side view.

FIG. 5 is a right side view.

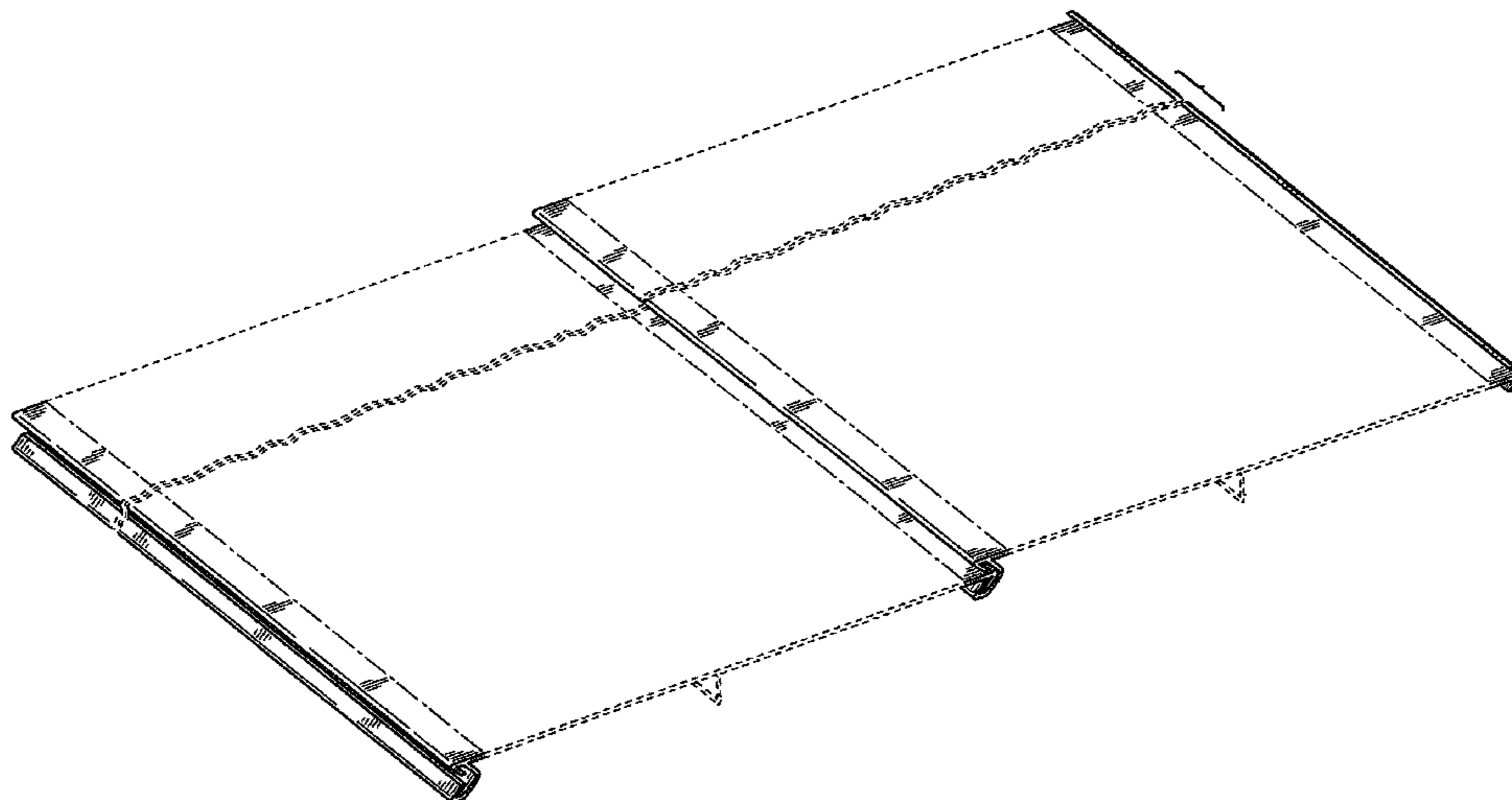
FIG. 6 is a top view; and,

FIG. 7 is a bottom view.

The broken lines in the drawings depict unclaimed environmental subject matter.

The broken away symbols in the drawings indicate that any portion of the article beyond what is shown forms no part of the claimed design.

1 Claim, 4 Drawing Sheets



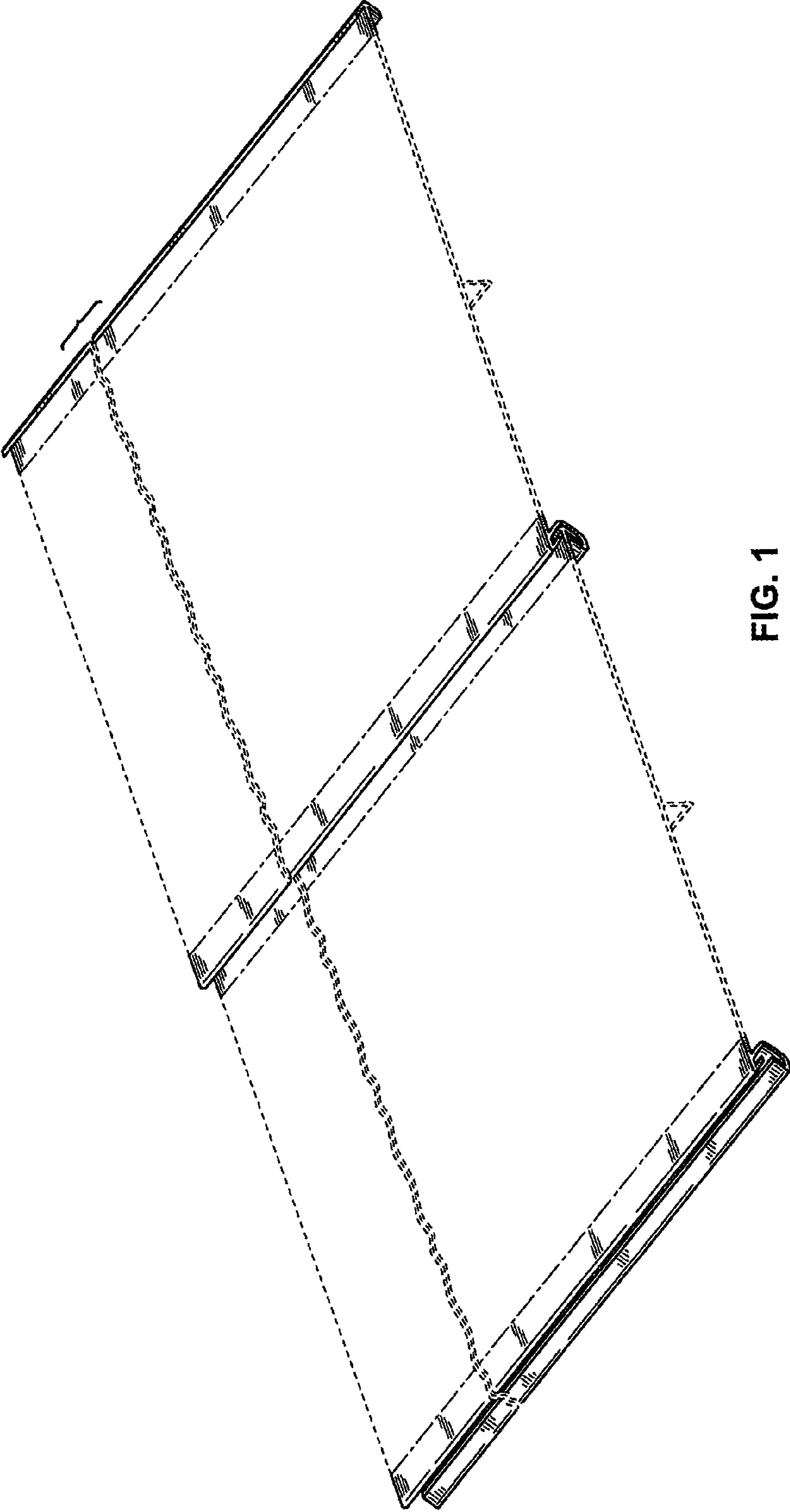


FIG. 1



FIG. 2



FIG. 3

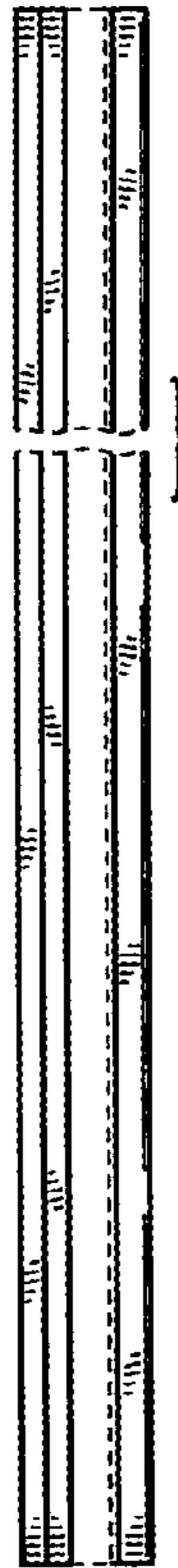


FIG. 4

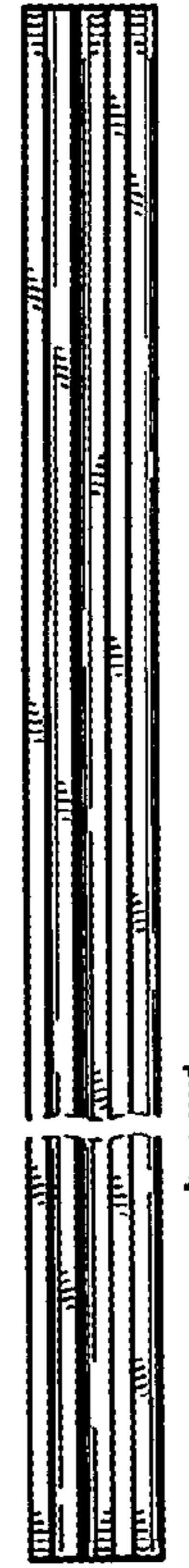


FIG. 5

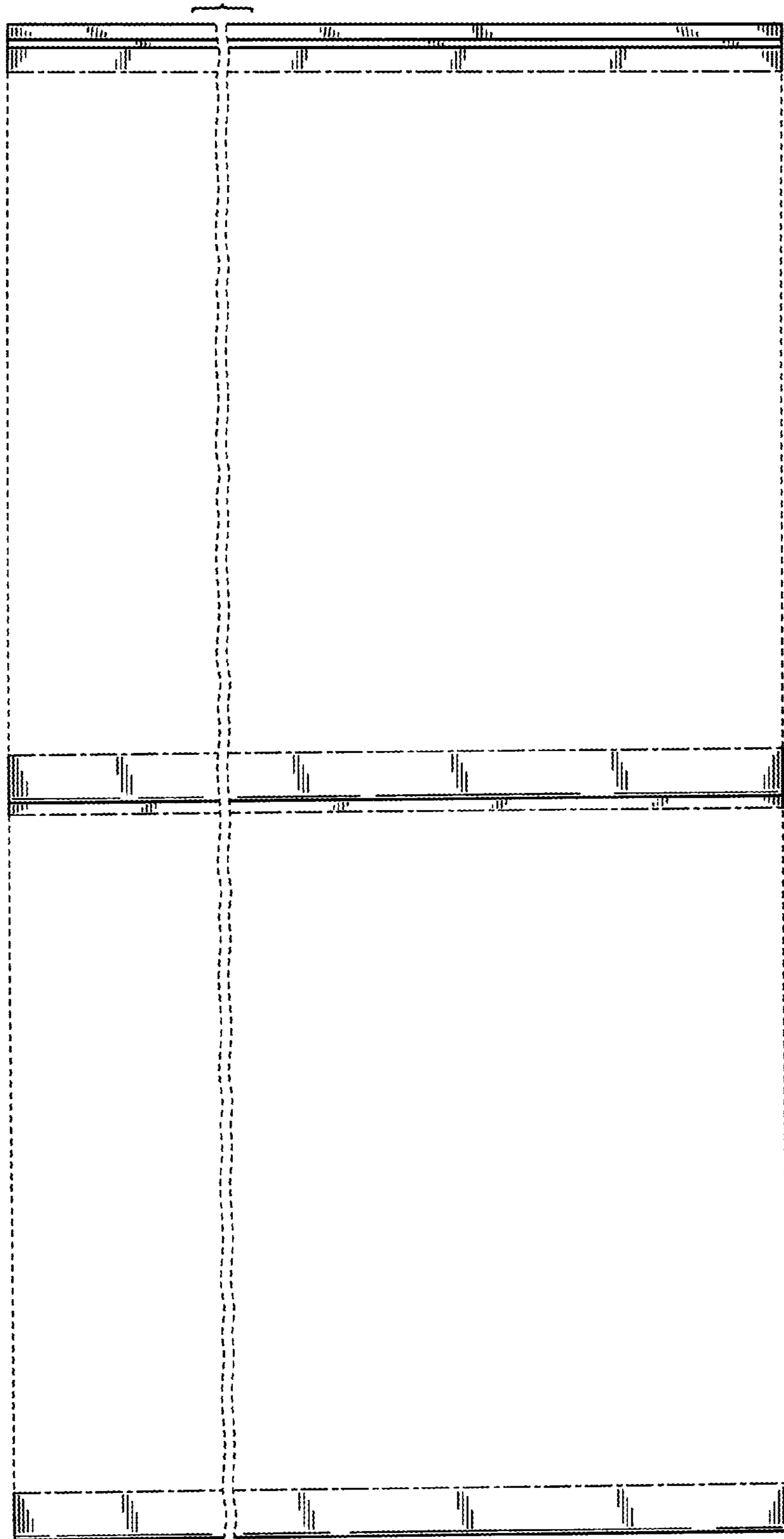


FIG. 6

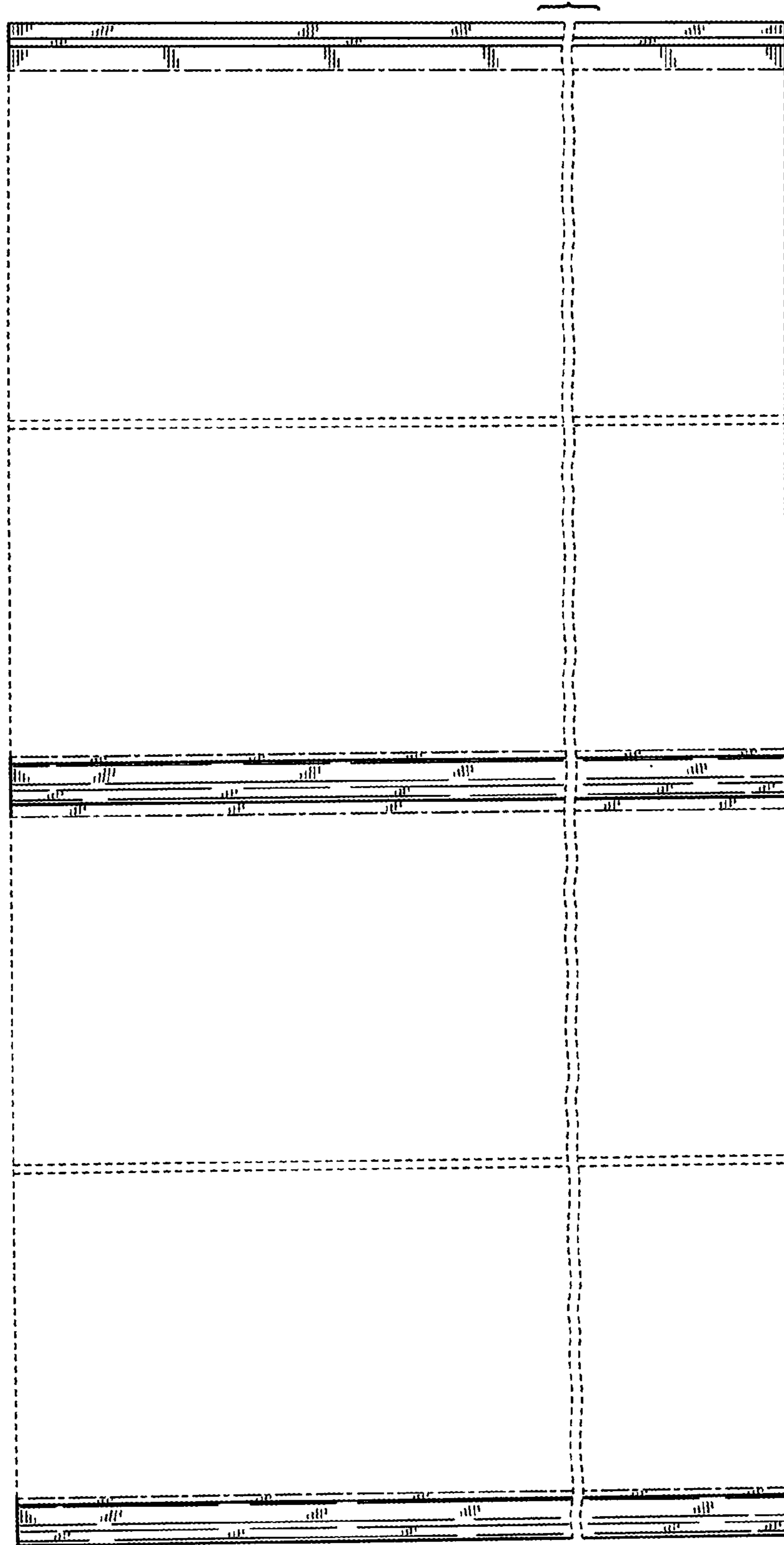


FIG. 7