



US00D769084S

(12) **United States Design Patent**  
**Tsai**

(10) **Patent No.:** **US D769,084 S**

(45) **Date of Patent:** **\*\* Oct. 18, 2016**

(54) **WINE GLASSES STEMWARE RACK**

(71) Applicant: **PRETTY STAR STORE LLC**,  
Rowland Heights, CA (US)

(72) Inventor: **Tsung-Yu Tsai**, Changhua (TW)

(73) Assignee: **PRETTY STAR STORE LLC**,  
Rowland Heights, CA (US)

(\*\*) Term: **14 Years**

(21) Appl. No.: **29/514,691**

(22) Filed: **Jan. 15, 2015**

(51) **LOC (10) Cl.** ..... **07-06**

(52) **U.S. Cl.**  
USPC ..... **D7/704**

(58) **Field of Classification Search**  
USPC ..... D7/701-708; D6/566, 553, 513, 514,  
D6/569; D8/373, 370, 363, 354  
CPC ..... A47G 23/0208; A47B 96/061; A47B  
73/002; A47B 73/00; A47B 73/008; A47B  
73/006; A47B 81/04; A47F 5/13; A47F  
5/0823; A47F 7/283; A47J 47/16  
See application file for complete search history.

(56) **References Cited**

**U.S. PATENT DOCUMENTS**

D265,615 S \* 8/1982 Virte ..... D6/566  
4,694,966 A \* 9/1987 Sorenson ..... A47F 5/01  
211/106  
4,863,131 A \* 9/1989 Kinseley ..... A47F 7/285  
211/59.2

D338,700 S \* 8/1993 Webb ..... D21/786  
D356,916 S \* 4/1995 Chadwick ..... D6/566  
5,645,175 A \* 7/1997 Wood ..... A47F 5/0869  
211/57.1  
D553,454 S \* 10/2007 Goodman ..... D6/513  
D555,462 S \* 11/2007 Moffitt ..... D8/370  
D568,077 S \* 5/2008 Klein ..... D6/706  
D655,986 S \* 3/2012 Schneider ..... D6/566  
8,607,994 B1 \* 12/2013 Schneider ..... A47B 73/00  
211/106  
2009/0032482 A1 \* 2/2009 Battaglia ..... A47F 5/0823  
211/59.1

\* cited by examiner

*Primary Examiner* — Terry Wallace

(74) *Attorney, Agent, or Firm* — Muncy, Geissler, Olds &  
Lowe, P.C.

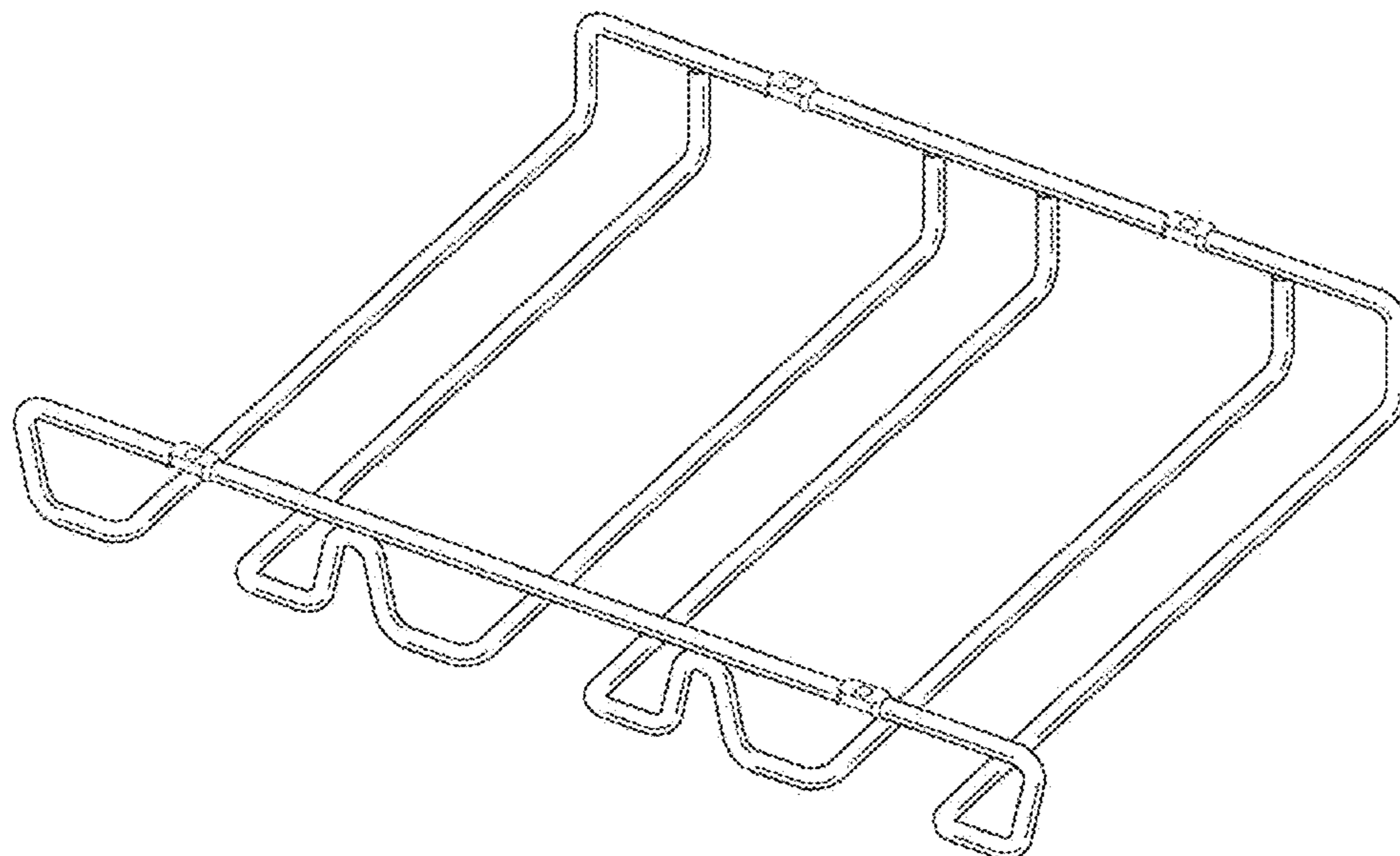
(57) **CLAIM**

The ornamental design for a wine glasses stemware rack, as shown and described.

**DESCRIPTION**

FIG. 1 is a perspective view of the present design;  
FIG. 2 is a front view of the present design;  
FIG. 3 is a rear view of the present design;  
FIG. 4 is a left side view of the present design;  
FIG. 5 is a right side view of the present design;  
FIG. 6 is a top view of the present design; and,  
FIG. 7 is a bottom view of the present design.  
The broken lines showing structural features are for illustrative purposes only and form no part of the claimed design.

**1 Claim, 7 Drawing Sheets**



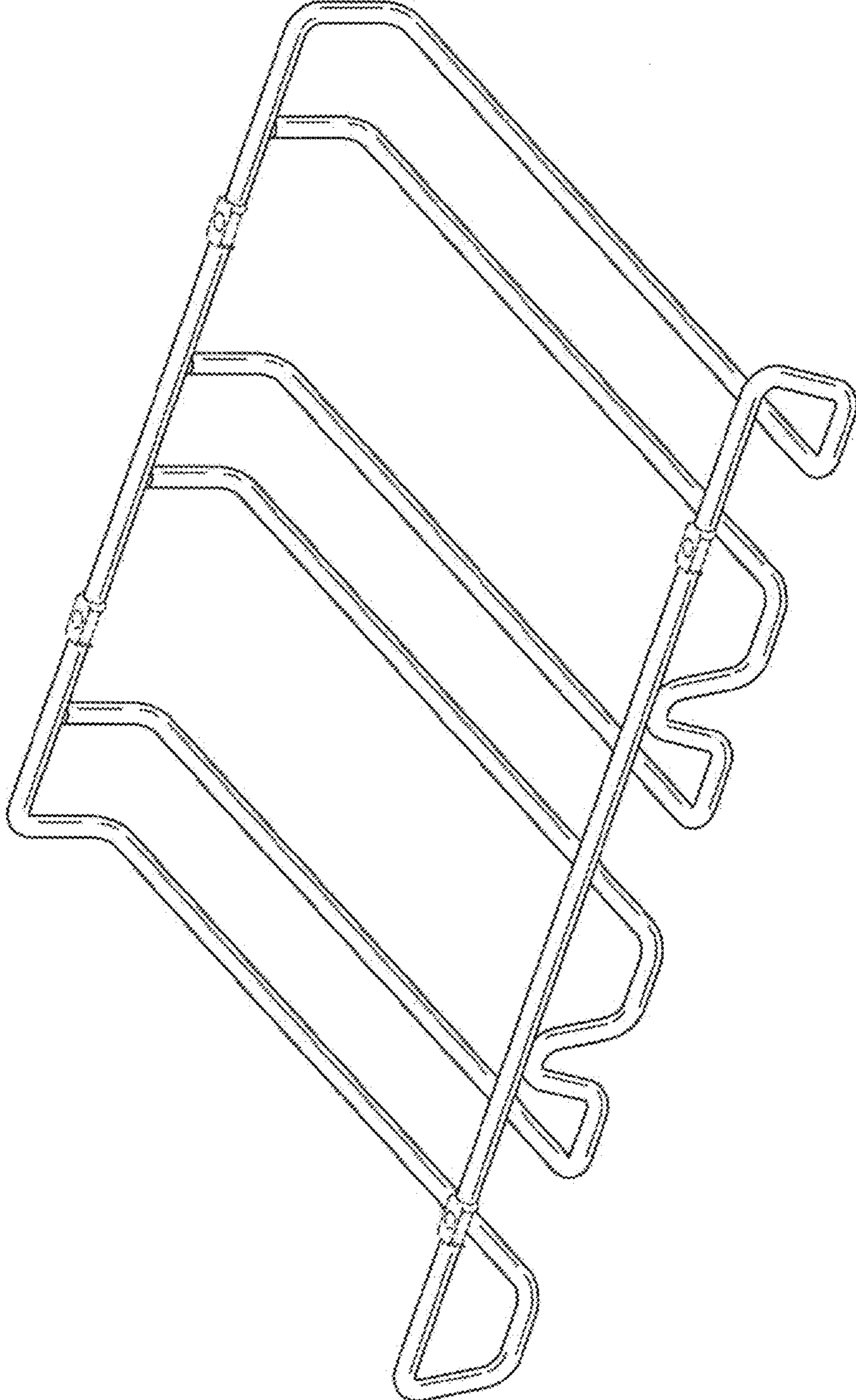


FIG. 1

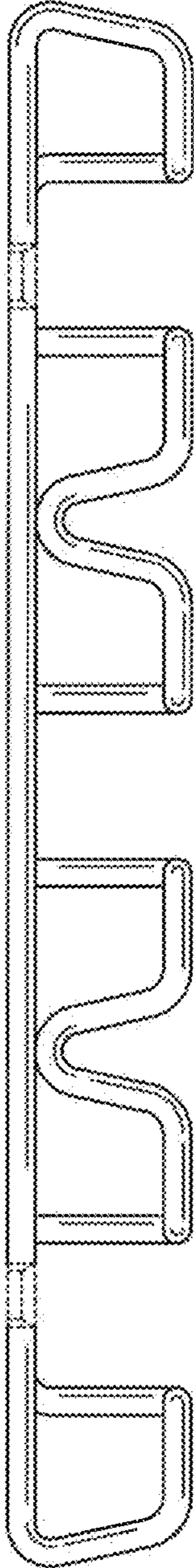


FIG. 2

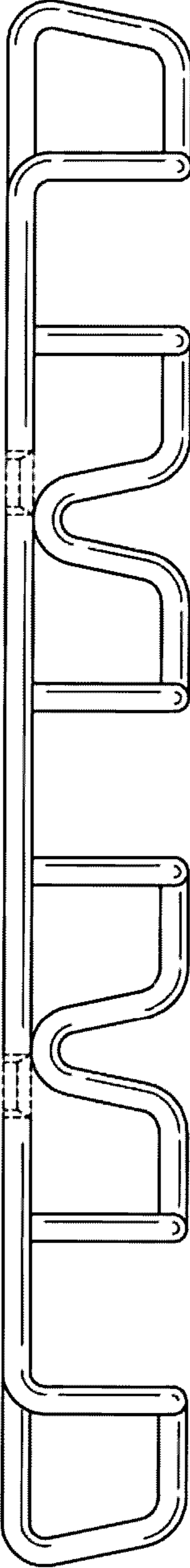


FIG. 3

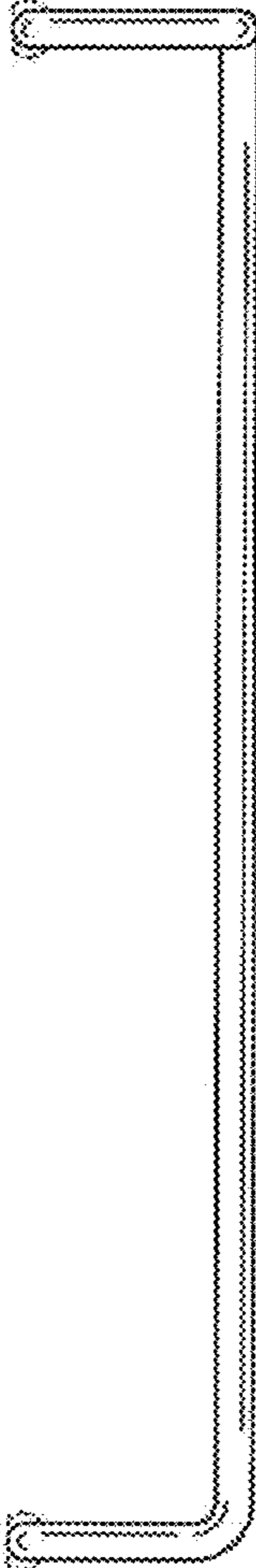


FIG. 4

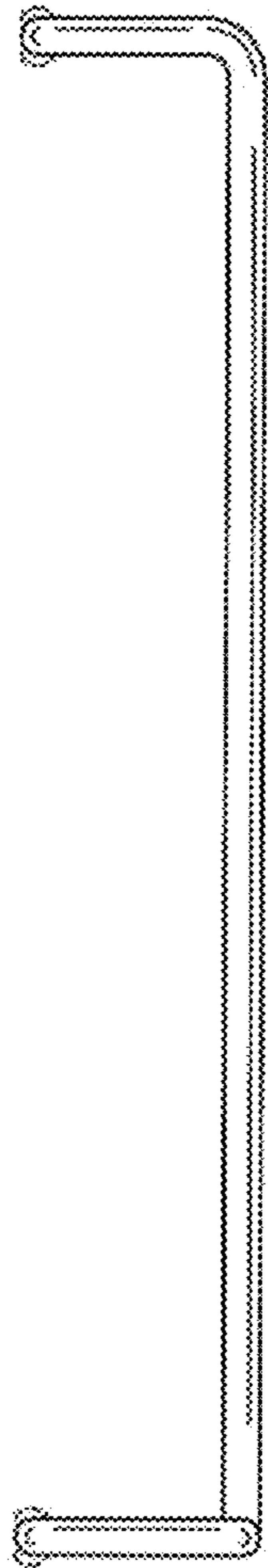


FIG. 5

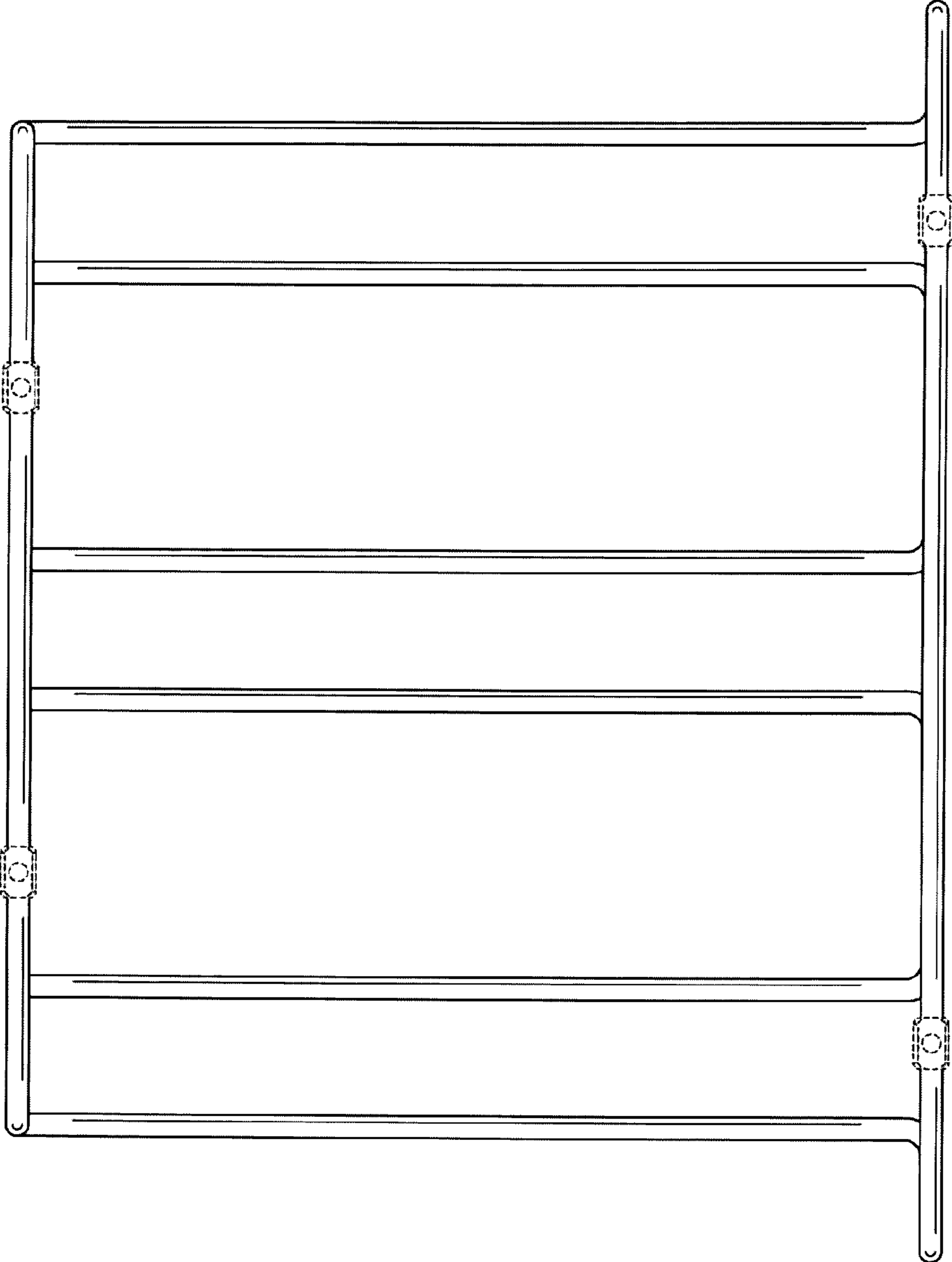


FIG. 6

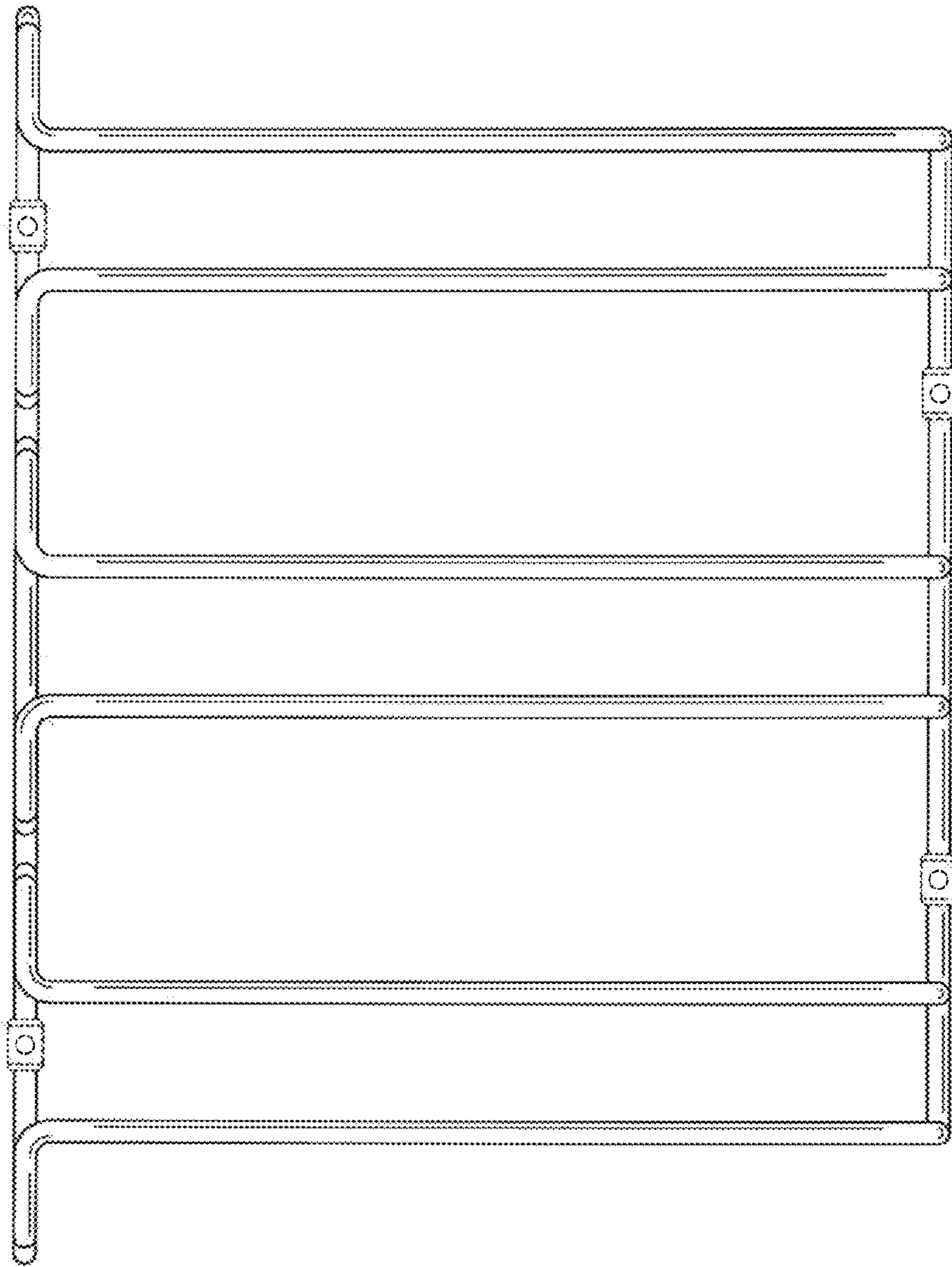


FIG. 7