



US00D769083S

(12) **United States Design Patent**
Harris et al.

(10) **Patent No.:** **US D769,083 S**

(45) **Date of Patent:** **** *Oct. 18, 2016**

- (54) **FOOD CUTTING APPARATUS**
- (71) Applicant: **Columbia Insurance Company,**
Omaha, NE (US)
- (72) Inventors: **E. Mark Harris,** McHenry, IL (US);
Roland Sudmalis, Park Ridge, IL (US)
- (73) Assignee: **Columbia Insurance Company,**
Omaha, NE (US)
- (*) Notice: This patent is subject to a terminal disclaimer.
- (**) Term: **14 Years**
- (21) Appl. No.: **29/512,259**
- (22) Filed: **Dec. 17, 2014**
- (51) **LOC (10) Cl.** **07-04**
- (52) **U.S. Cl.**
USPC **D7/673; D7/693**
- (58) **Field of Classification Search**
USPC D7/372-375, 381-386, 638, 672-674,
D7/693; 99/484, 485, 493, 509-511, 537;
219/443.1, 450.1, 764, 771; 241/168,
241/169, 199.12; 269/87.2; 366/96, 242,
366/244; 83/745, 870
CPC A21C 5/04; A47J 43/00; A47J 43/085;
B26B 29/063
See application file for complete search history.

(56) **References Cited**

U.S. PATENT DOCUMENTS

- 2,166,624 A * 7/1939 Cohn B26D 1/553
83/466.1
- 2,197,056 A * 4/1940 Nelson A47J 37/0611
219/450.1
- 3,885,321 A * 5/1975 Fouinetau A47J 43/24
210/360.1
- 4,674,404 A 6/1987 D'Erasmus
- D377,297 S * 1/1997 Thompson D7/673
- D379,907 S 6/1997 Israeli
- 5,819,629 A * 10/1998 Sarich B26B 29/063
83/745

- 5,832,804 A * 11/1998 Dudley B26B 29/06
269/288
- 5,946,998 A * 9/1999 Thompson B26B 29/063
269/270
- D467,766 S * 12/2002 Wanat D7/352
- D527,588 S * 9/2006 de Groote D7/629

(Continued)

FOREIGN PATENT DOCUMENTS

CN 201530199439 * 11/2015

OTHER PUBLICATIONS

Pampered Chef, Close & Cut, Publication Date Unknown, [Site Visited Jan. 4, 2016], Available From the Internet URL: <<https://www.pamperedchef.com/shop/Cook%27s+Tools/Mandolines%2C+Slicers+%26+Choppers/Close+%26+Cut/1118>>.*

(Continued)

Primary Examiner — Jeffrey D Asch
Assistant Examiner — S. Bryan Reinholdt, Jr.
(74) *Attorney, Agent, or Firm* — Neal, Gerber & Eisenberg, LLP

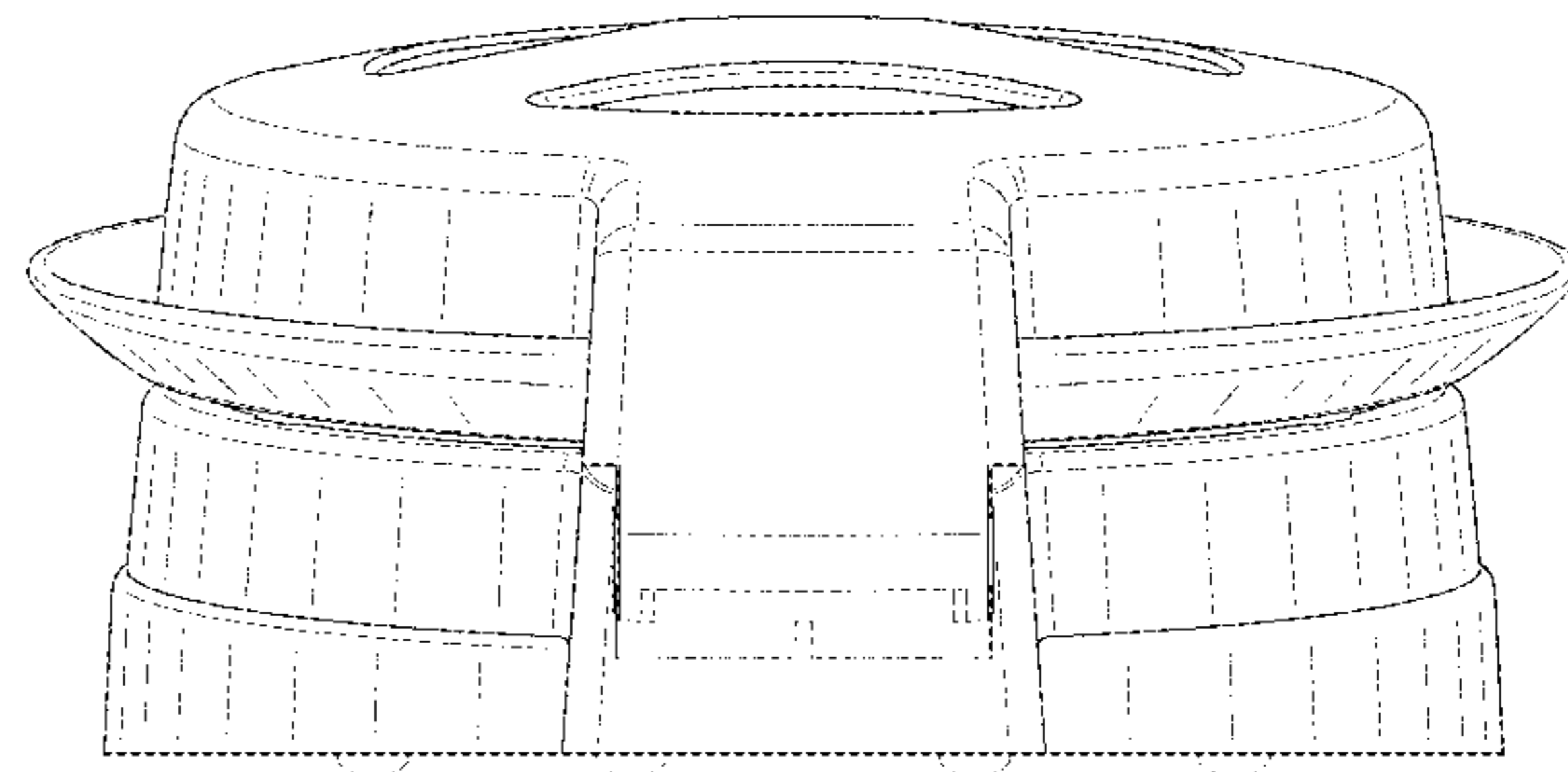
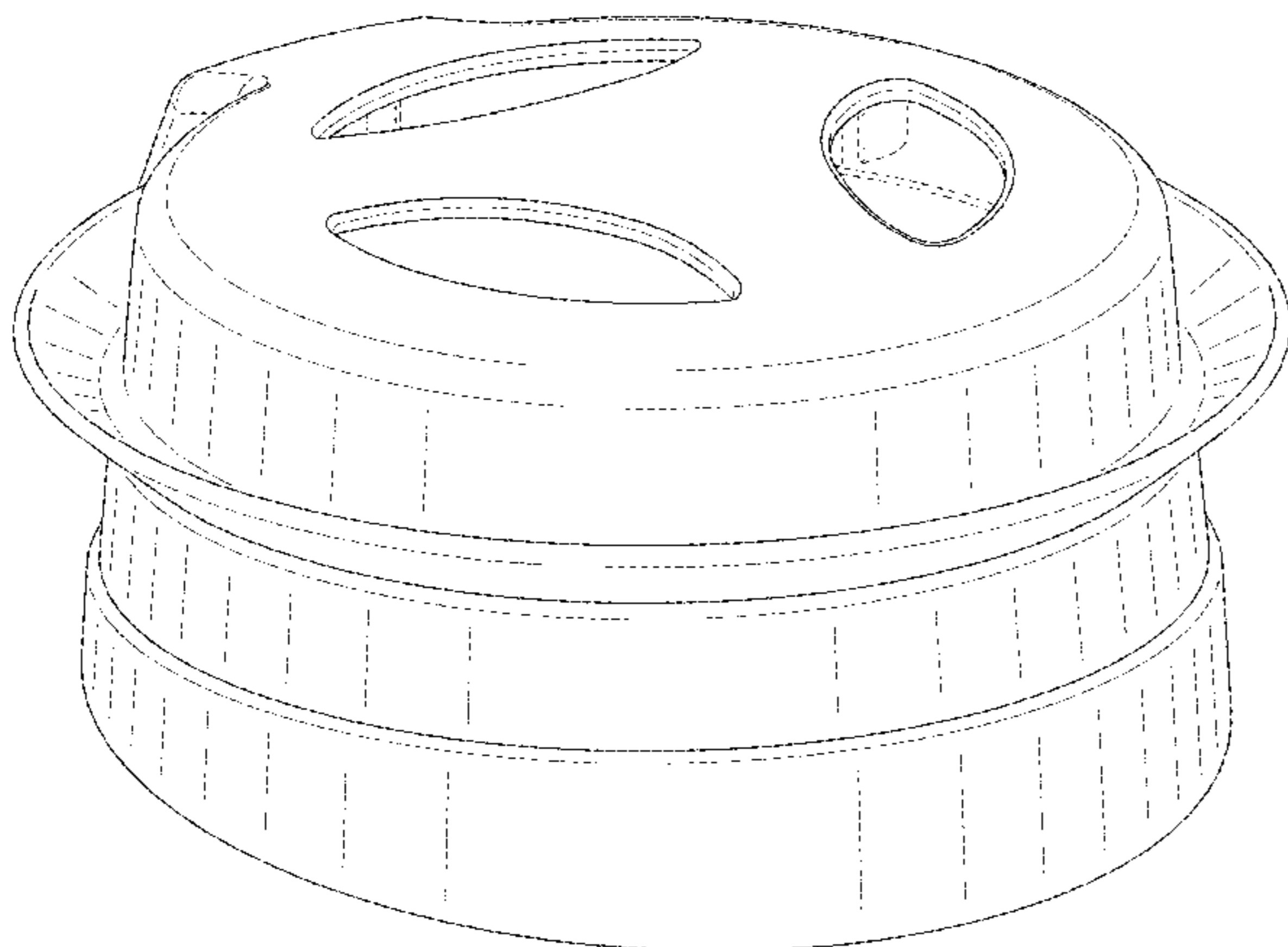
(57) **CLAIM**

The ornamental design for a food cutting apparatus, as shown and described.

DESCRIPTION

FIG. 1 is a perspective view of the food cutting apparatus of the present invention;
FIG. 2 is a top plan view thereof;
FIG. 3 is a bottom plan view thereof;
FIG. 4 is a first side elevational view thereof;
FIG. 5 is a second side elevational view thereof, opposite from the first side elevational view;
FIG. 6 is a front elevational view thereof; and,
FIG. 7 is a rear elevational view thereof.
The broken lines in the drawings illustrate portions of the food cutting apparatus that form no part of the claim. The interior surfaces, within the almond-shaped openings at the top, form no part of the claimed design.

1 Claim, 7 Drawing Sheets



(56)

References Cited

OTHER PUBLICATIONS

U.S. PATENT DOCUMENTS

D582,220 S * 12/2008 Farnum D7/672
D599,176 S 9/2009 Seehoff et al.
D618,517 S * 6/2010 Wong D7/672
D673,006 S * 12/2012 Kent D7/372
8,474,359 B2 * 7/2013 George A47J 47/005
269/287
2003/0101878 A1 * 6/2003 Muldoon B26B 29/063
99/422
2009/0282990 A1 * 11/2009 Farnum B26D 3/26
99/537

Pampered Chef. "Close and Cut." YouTube. YouTube, Mar. 2, 2015.
Site visited Jan. 6, 2016. <<https://www.youtube.com/watch?v=6xTcuZiJksw>>.*
U.S. Appl. No. 29/512,260, filed Dec. 17, 2014; title: Food Cutting
Apparatus; Inventor(s): E. Mark Harris et al.
U.S. Appl. No. 29/512,261, filed Dec. 17, 2014; title: Food Cutting
Apparatus; Inventor(s): E. Mark Harris et al.

* cited by examiner

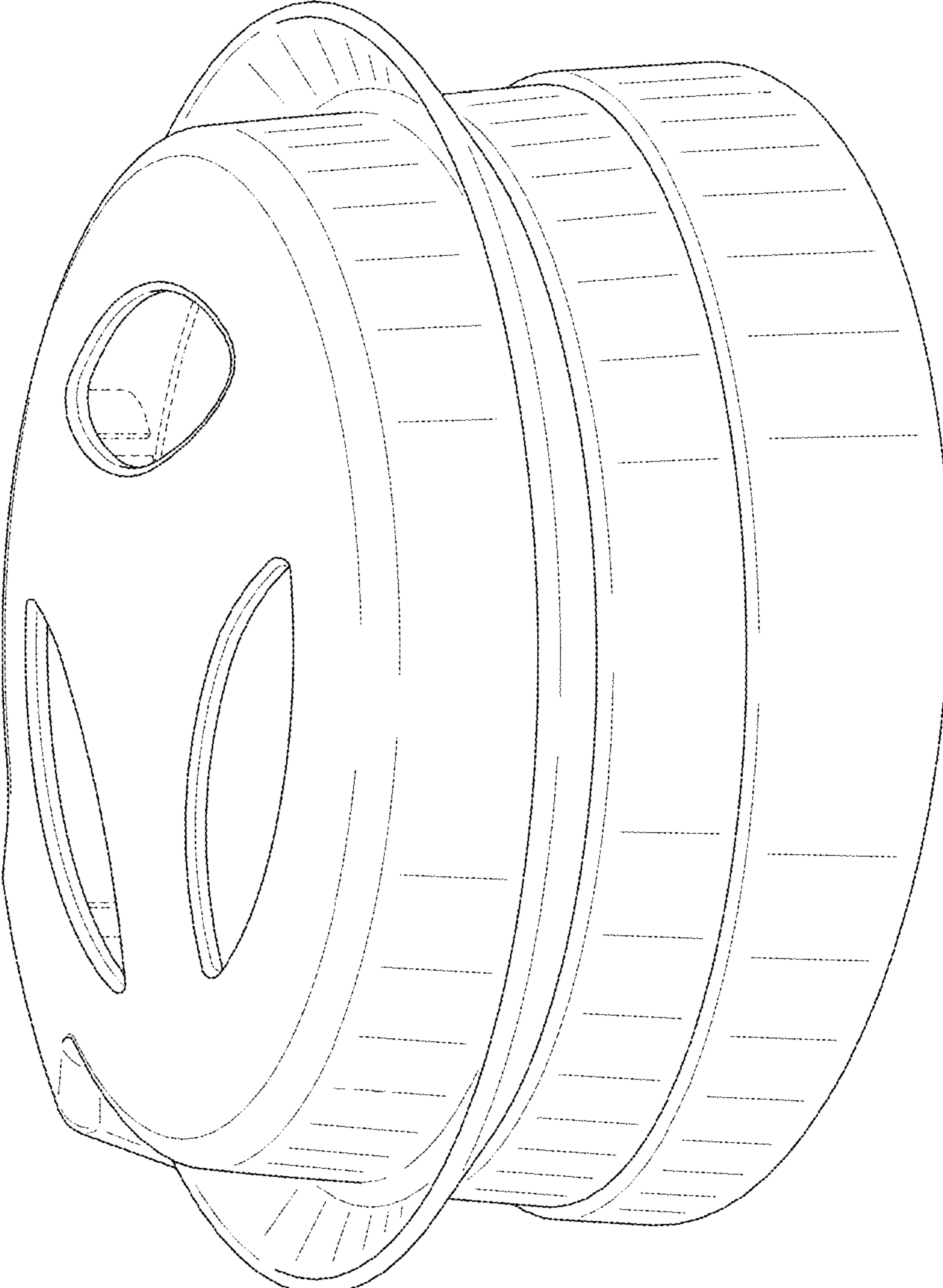


FIG. 1

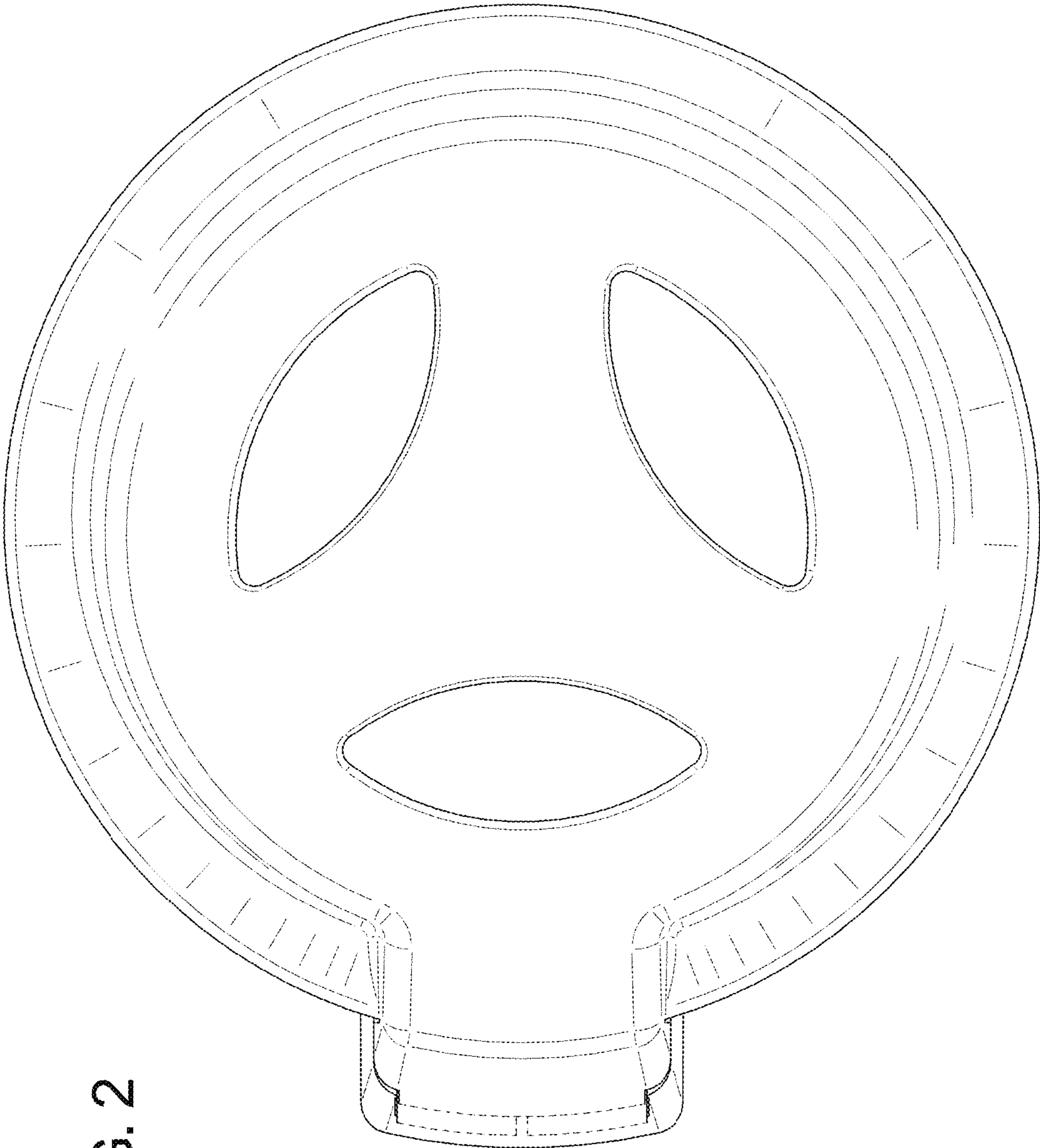


FIG. 2

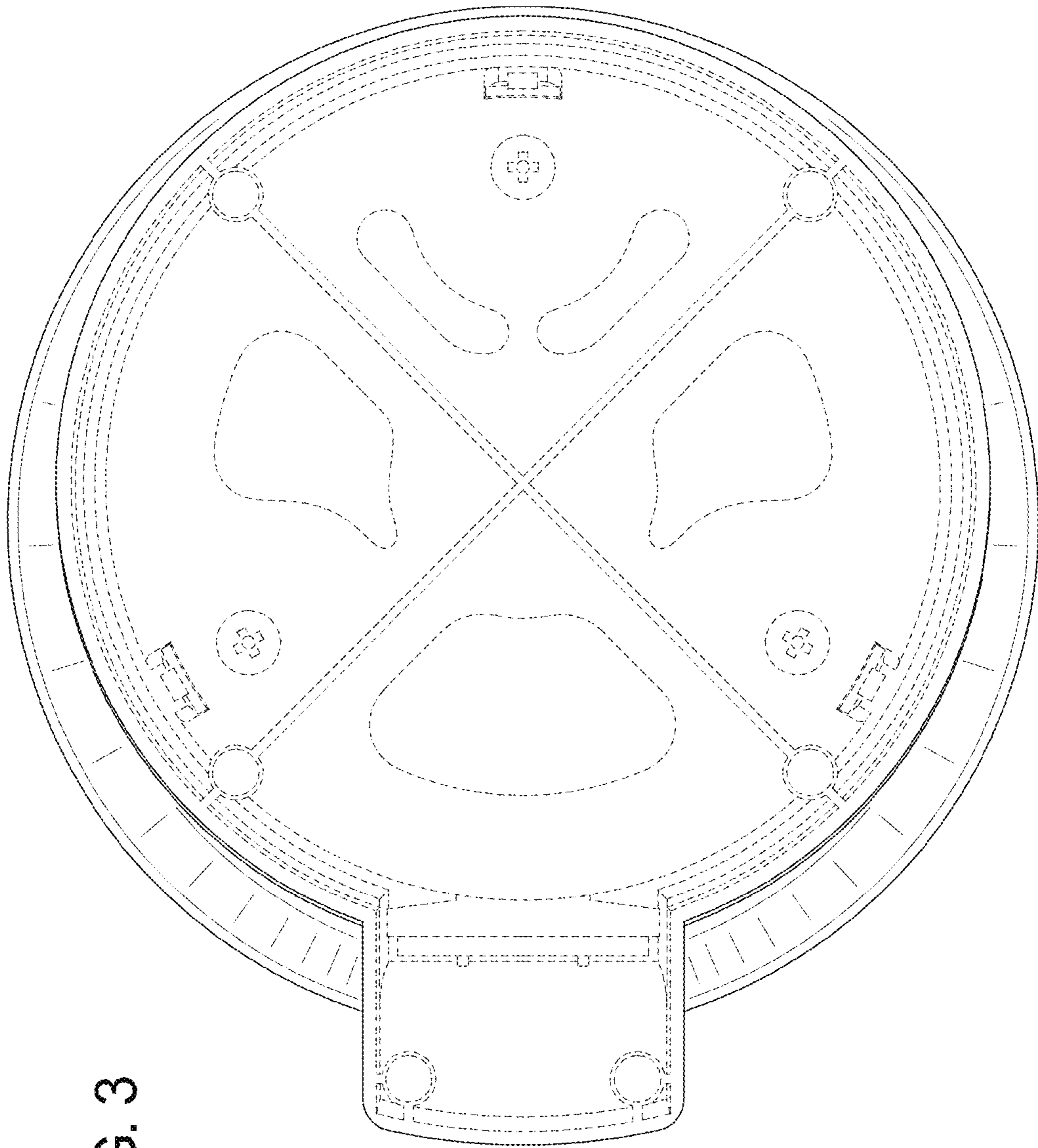


FIG. 3

FIG. 4

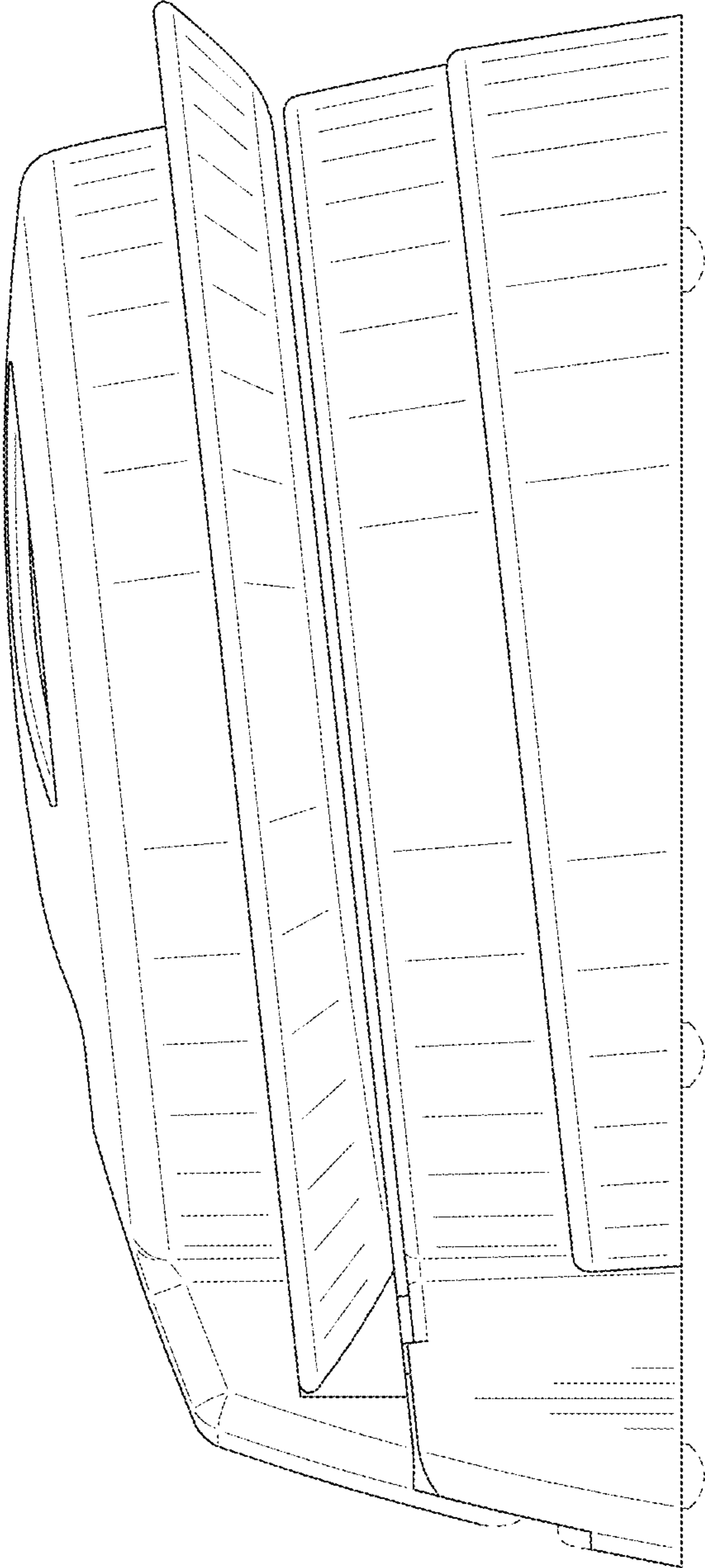


FIG. 5

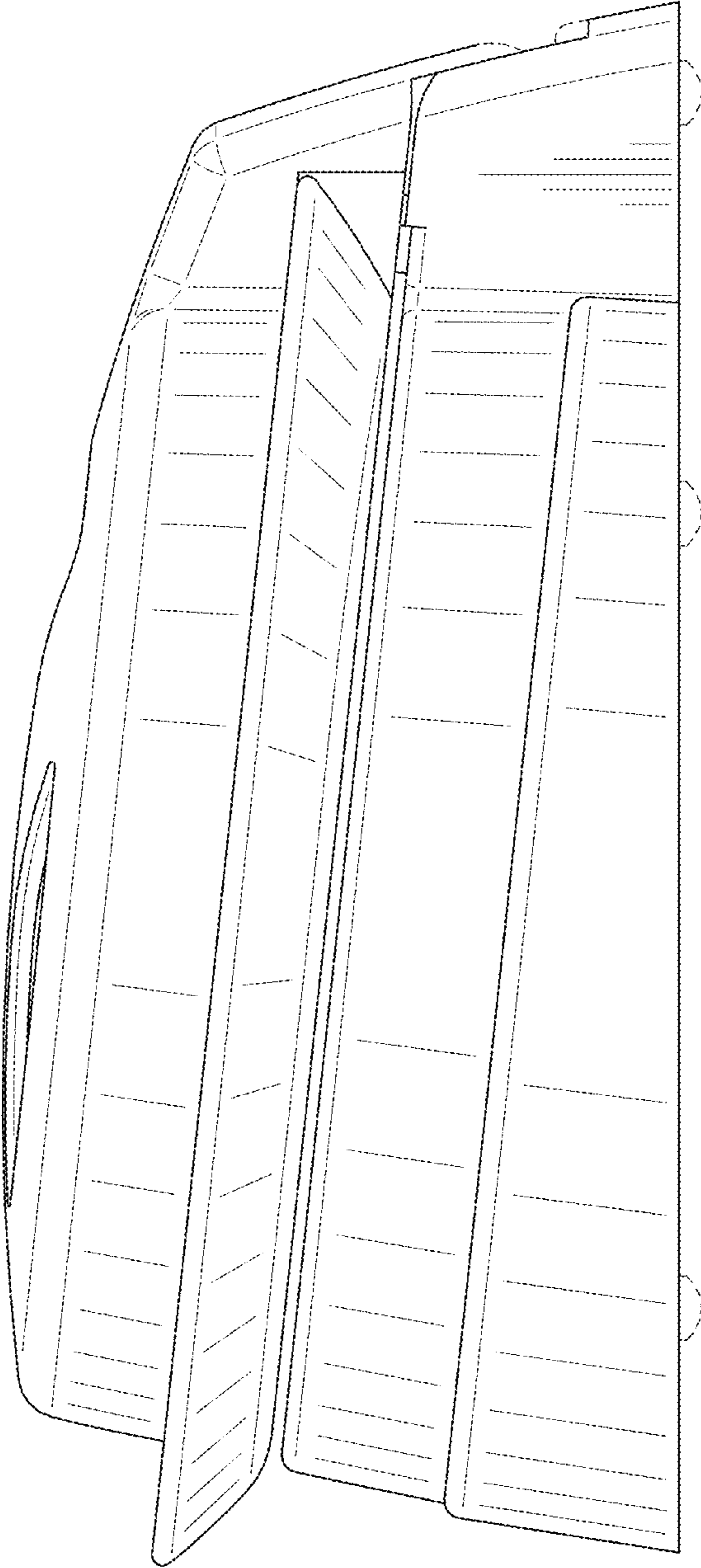


FIG. 6

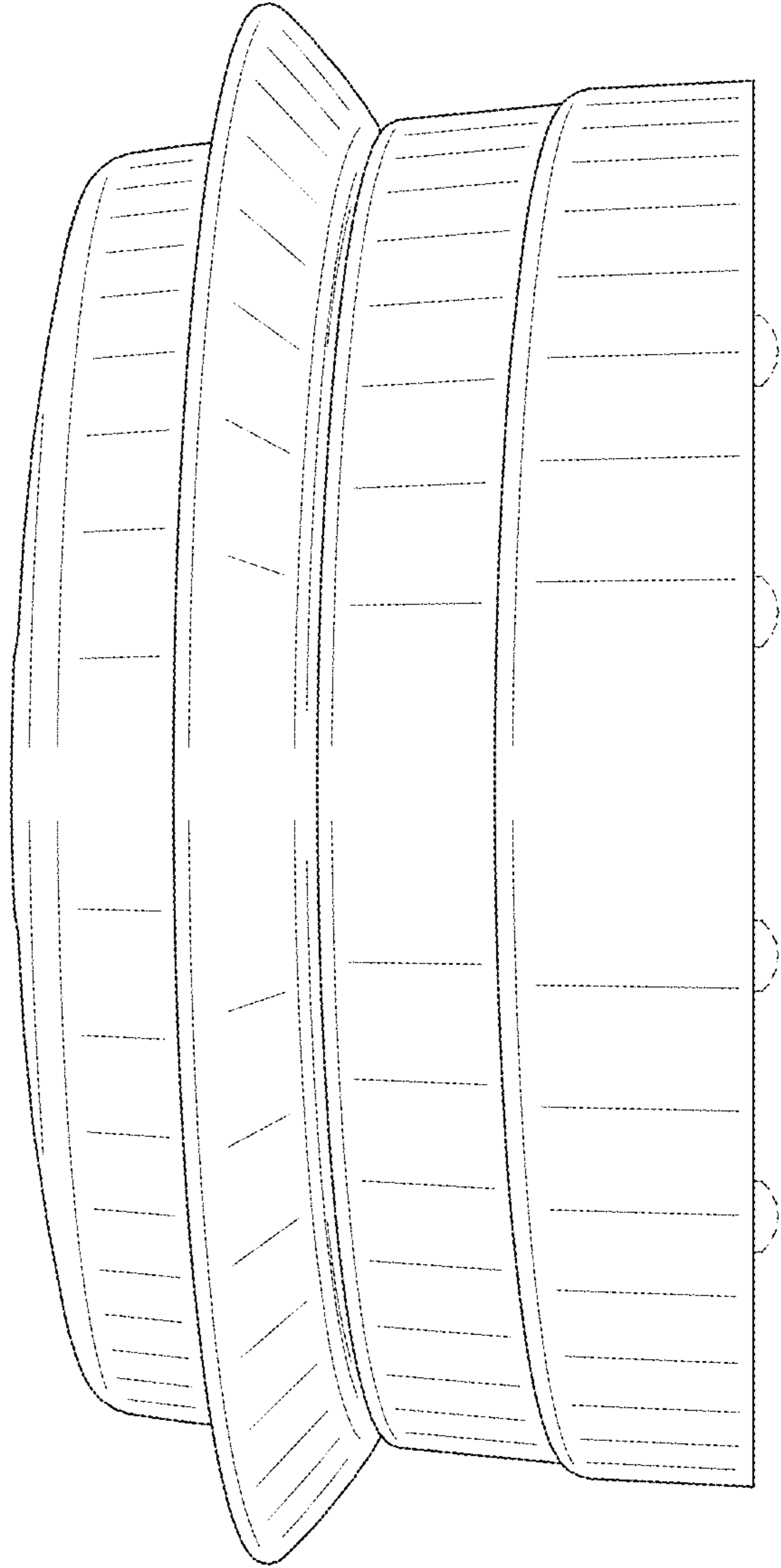


FIG. 7

