



US00D769081S

(12) **United States Design Patent**  
**Puruganan**

(10) **Patent No.:** **US D769,081 S**

(45) **Date of Patent:** **\*\* Oct. 18, 2016**

(54) **KITCHENWARE ORGANIZER**

(71) Applicant: **Andre Puruganan**, Hayward, CA (US)

(72) Inventor: **Andre Puruganan**, Hayward, CA (US)

(\*\*) Term: **15 Years**

(21) Appl. No.: **29/528,860**

(22) Filed: **Jun. 2, 2015**

(51) **LOC (10) Cl.** ..... **07-99**

(52) **U.S. Cl.**

USPC ..... **D7/637**

(58) **Field of Classification Search**

USPC ..... D7/631-634, 637-641; D19/65, 75,  
D19/81-85; 211/13.1, 70.6, 70.7, 73, 74,  
211/60.1, 70.1, 71.01, 85.31, 85.4, 133.5,  
211/181.1; 248/37.3, 37.6, 176.1, 175  
CPC ..... A45D 44/04; A45D 44/06; A47F 7/00;  
A47F 13/00; A47G 19/08; A47G 25/1464;  
A47J 47/16; A47L 15/50; A47L 15/503;  
A47L 15/505

See application file for complete search history.

(56) **References Cited**

**U.S. PATENT DOCUMENTS**

2,584,301 A \* 2/1952 Sinclair ..... A01K 5/0142  
119/51.5  
D198,349 S \* 6/1964 Saunders ..... D6/552

D288,053 S \* 2/1987 Maza ..... D7/704  
D302,756 S \* 8/1989 Trine ..... D30/133  
D348,633 S \* 7/1994 Emalfarb ..... D11/156  
D433,958 S \* 11/2000 Rosenberg ..... D6/513  
D565,805 S \* 4/2008 Modi ..... D30/121  
D568,004 S \* 4/2008 Tiemann ..... D30/121  
D632,933 S \* 2/2011 Goodman ..... D7/631  
D661,929 S \* 6/2012 Purcell ..... D3/306  
D697,379 S 1/2014 Puruganan  
D719,797 S 12/2014 Puruganan  
D720,580 S 1/2015 Puruganan

\* cited by examiner

*Primary Examiner* — Derrick Holland

*Assistant Examiner* — Janice Lim

(74) *Attorney, Agent, or Firm* — Raj Abhyanker, P.C.

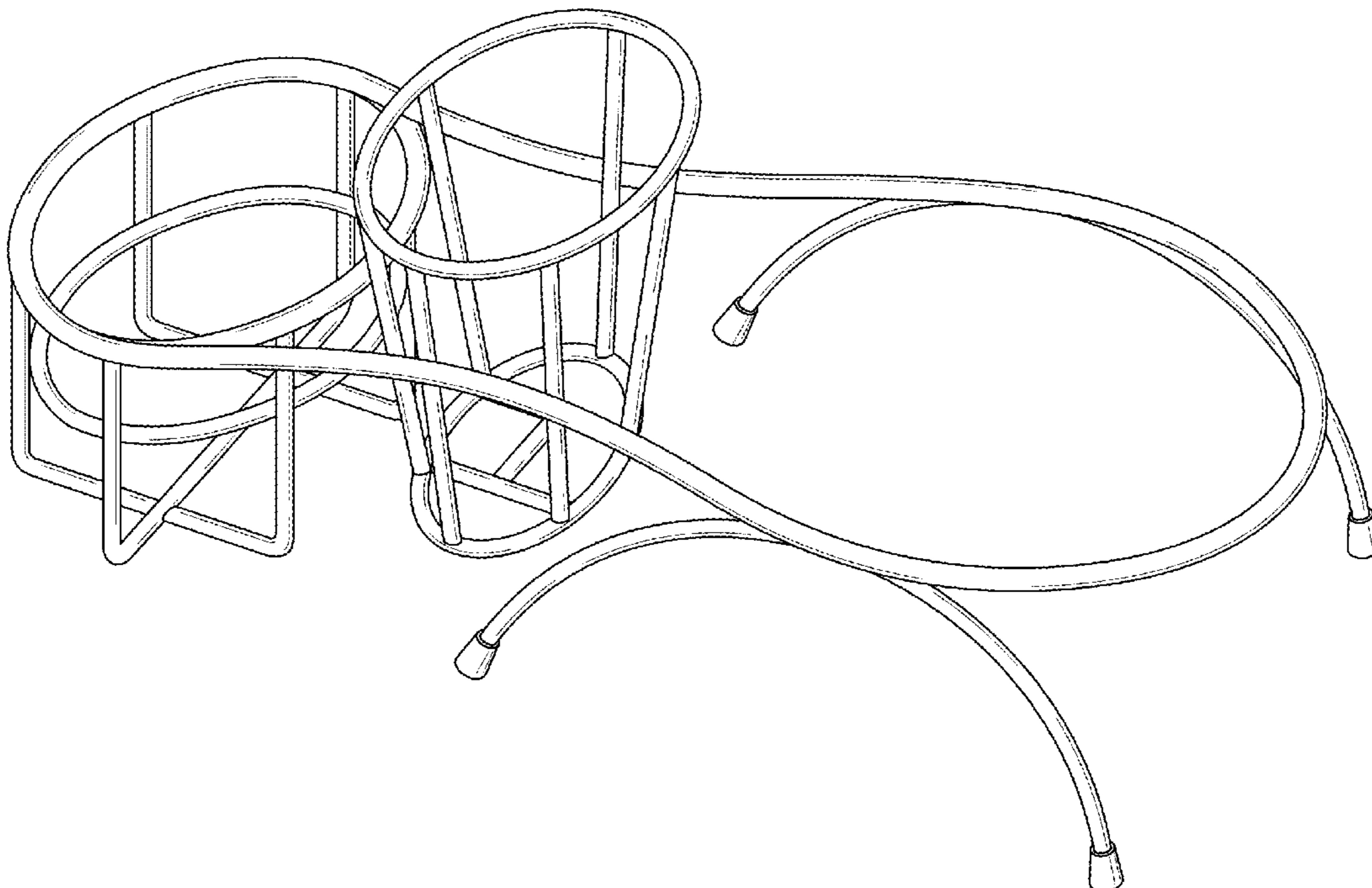
(57) **CLAIM**

The ornamental design for a kitchenware organizer, as shown and described.

**DESCRIPTION**

FIG. 1 is a top, right perspective view of a kitchenware organizer showing my new design;  
FIG. 2 is a front elevational view thereof;  
FIG. 3 is rear elevational view thereof;  
FIG. 4 is a left side elevational view thereof;  
FIG. 5 is a right side elevational view thereof;  
FIG. 6 is a top plan view thereof; and,  
FIG. 7 is a bottom plan view thereof.

**1 Claim, 4 Drawing Sheets**



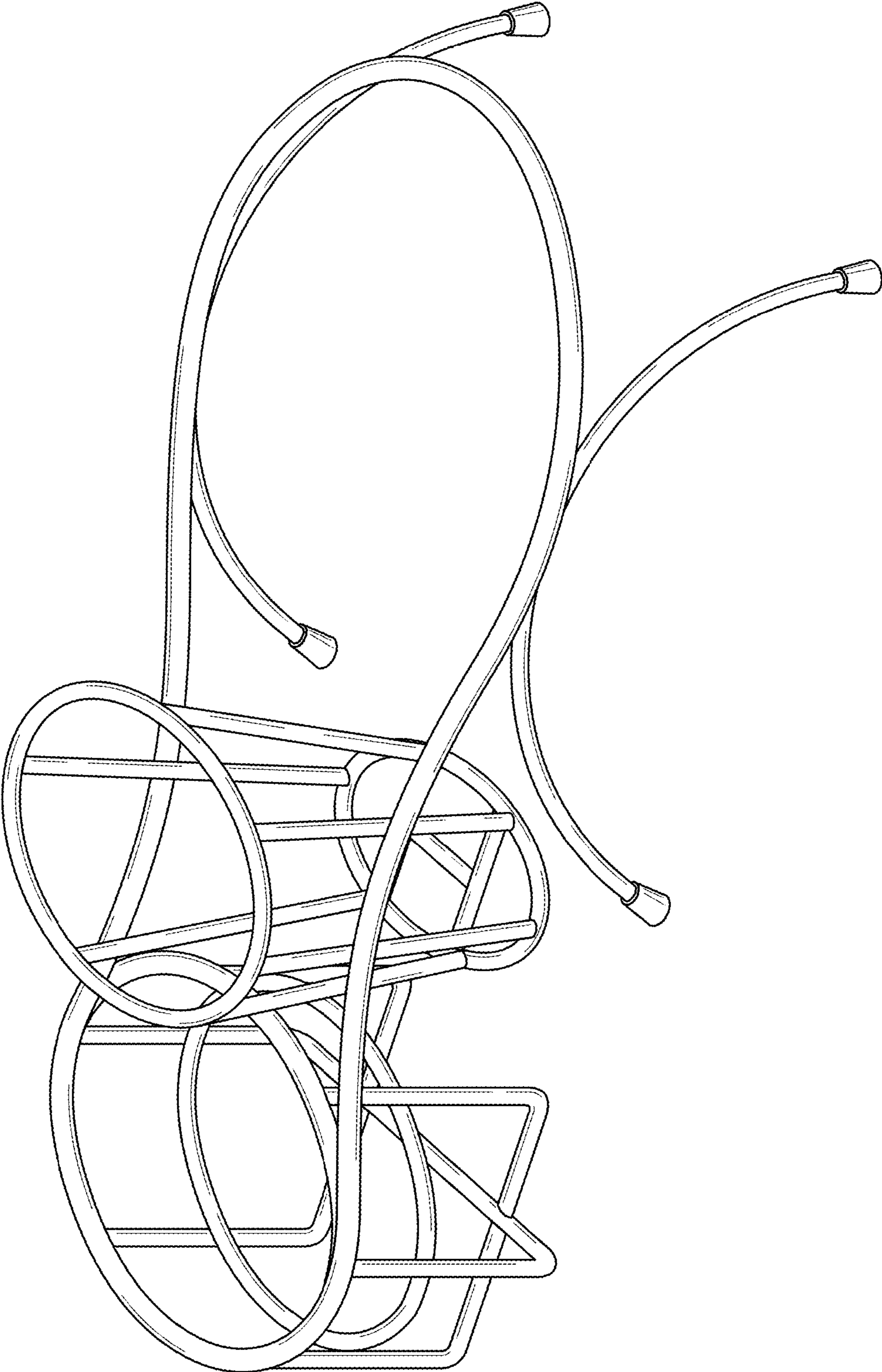


FIG. 1

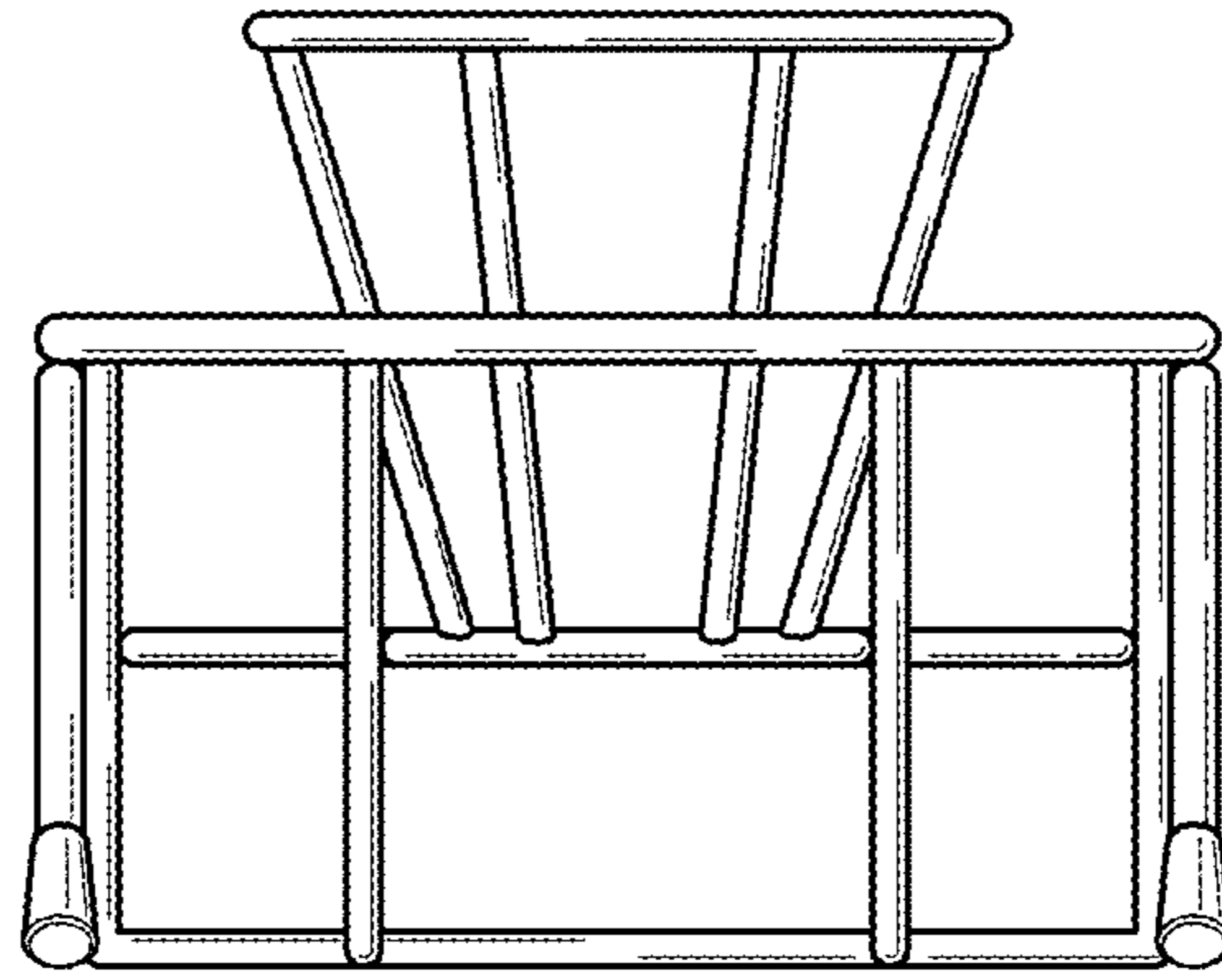


FIG. 2

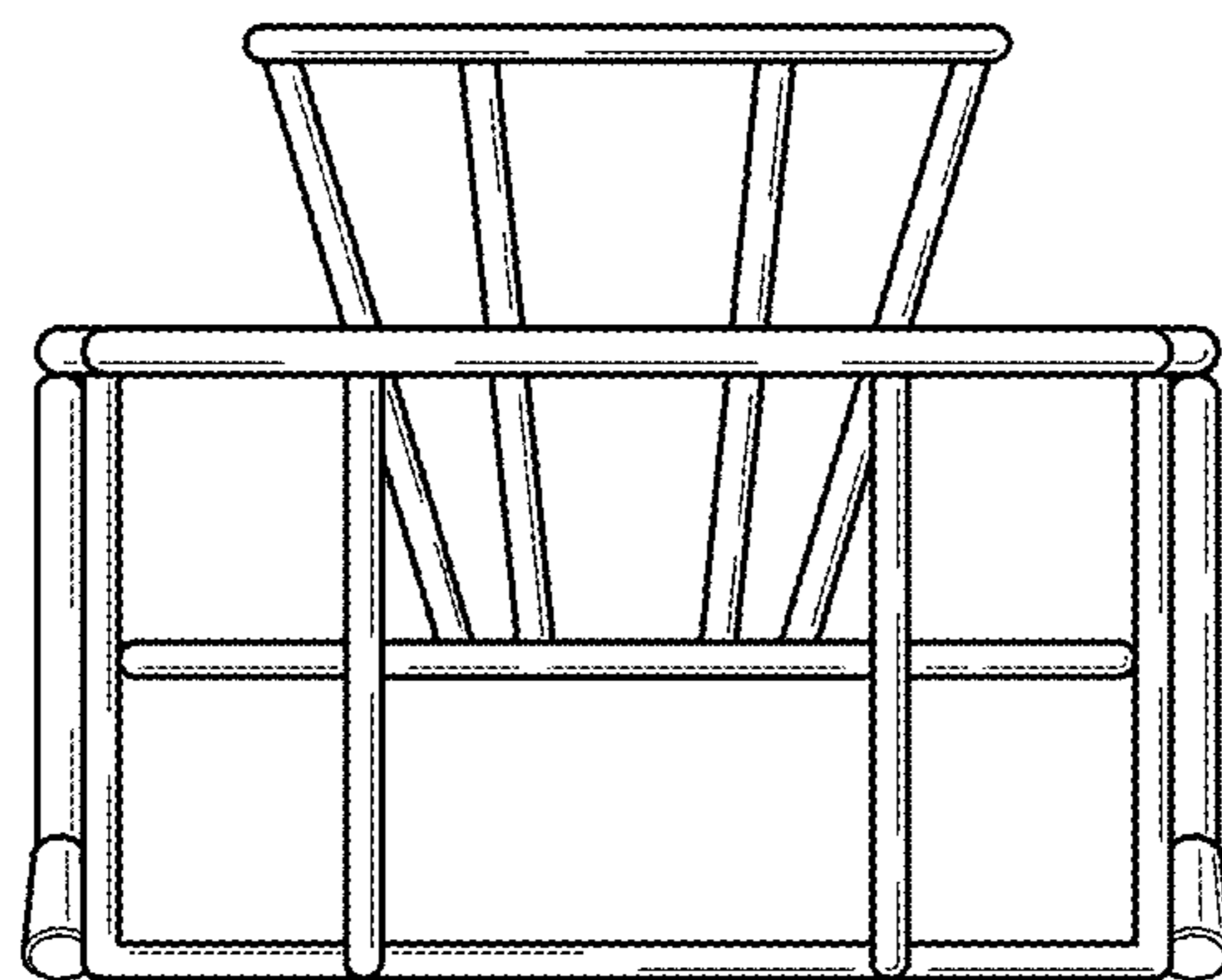


FIG. 3

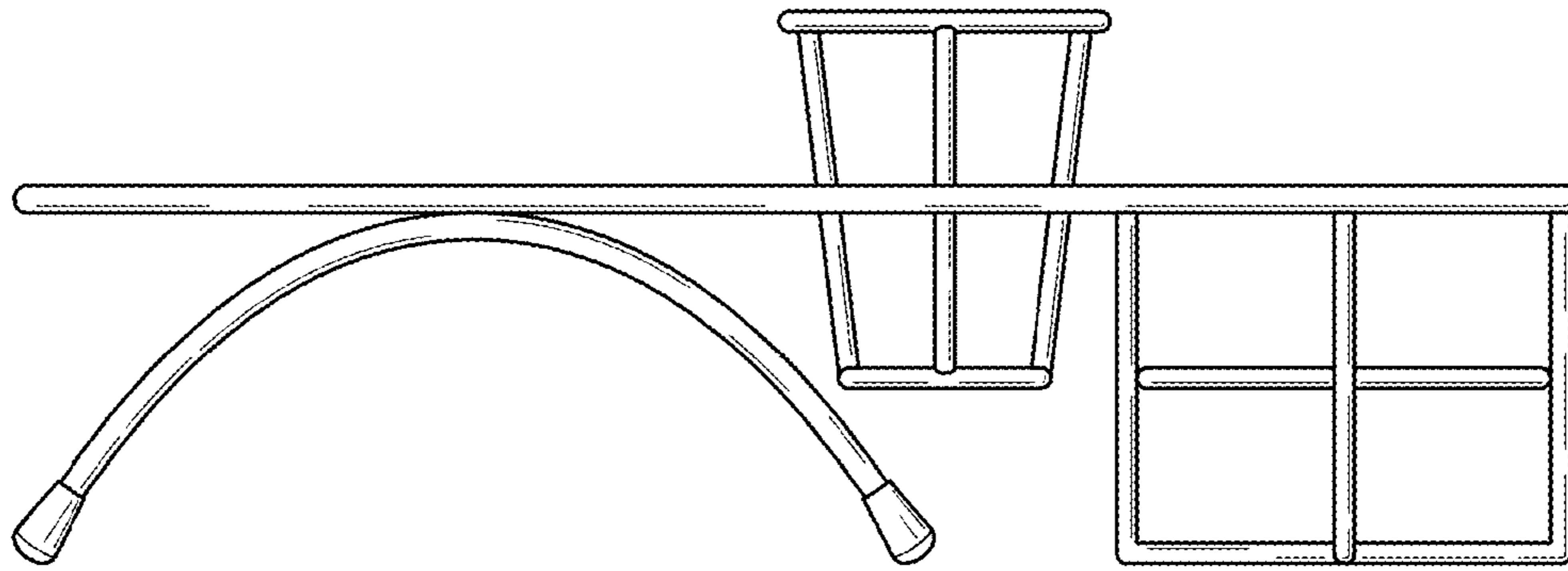


FIG. 4

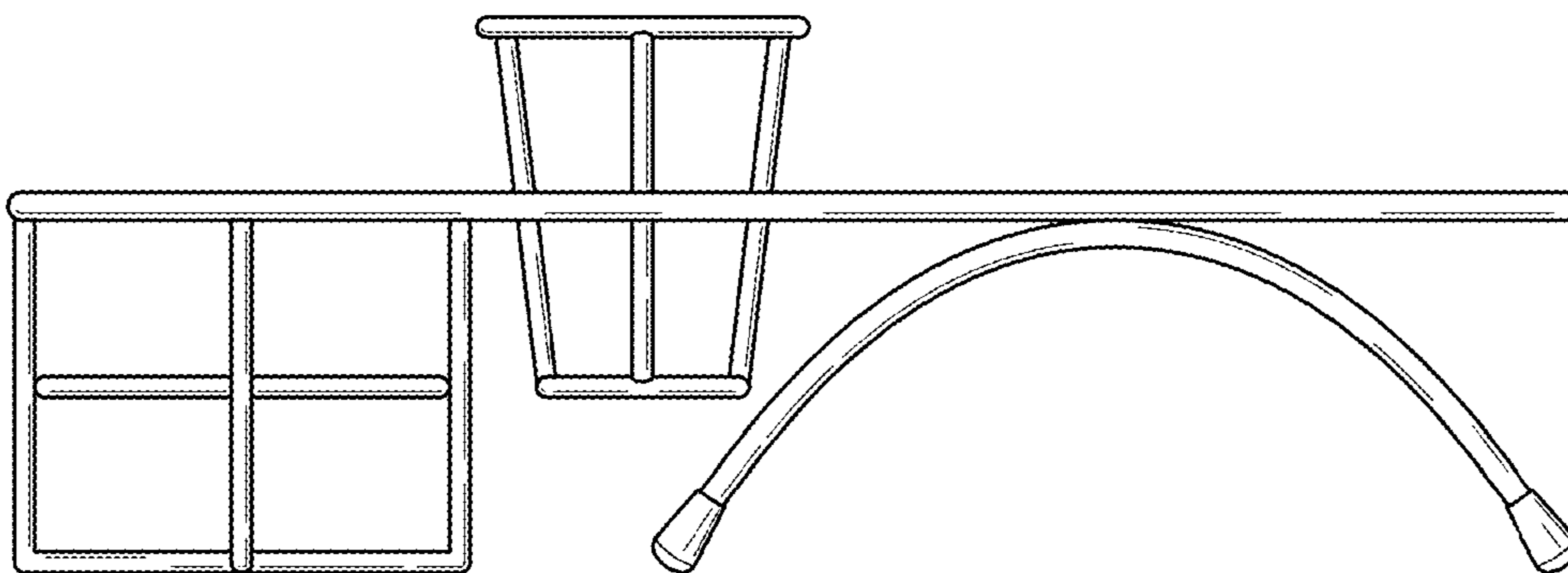


FIG. 5

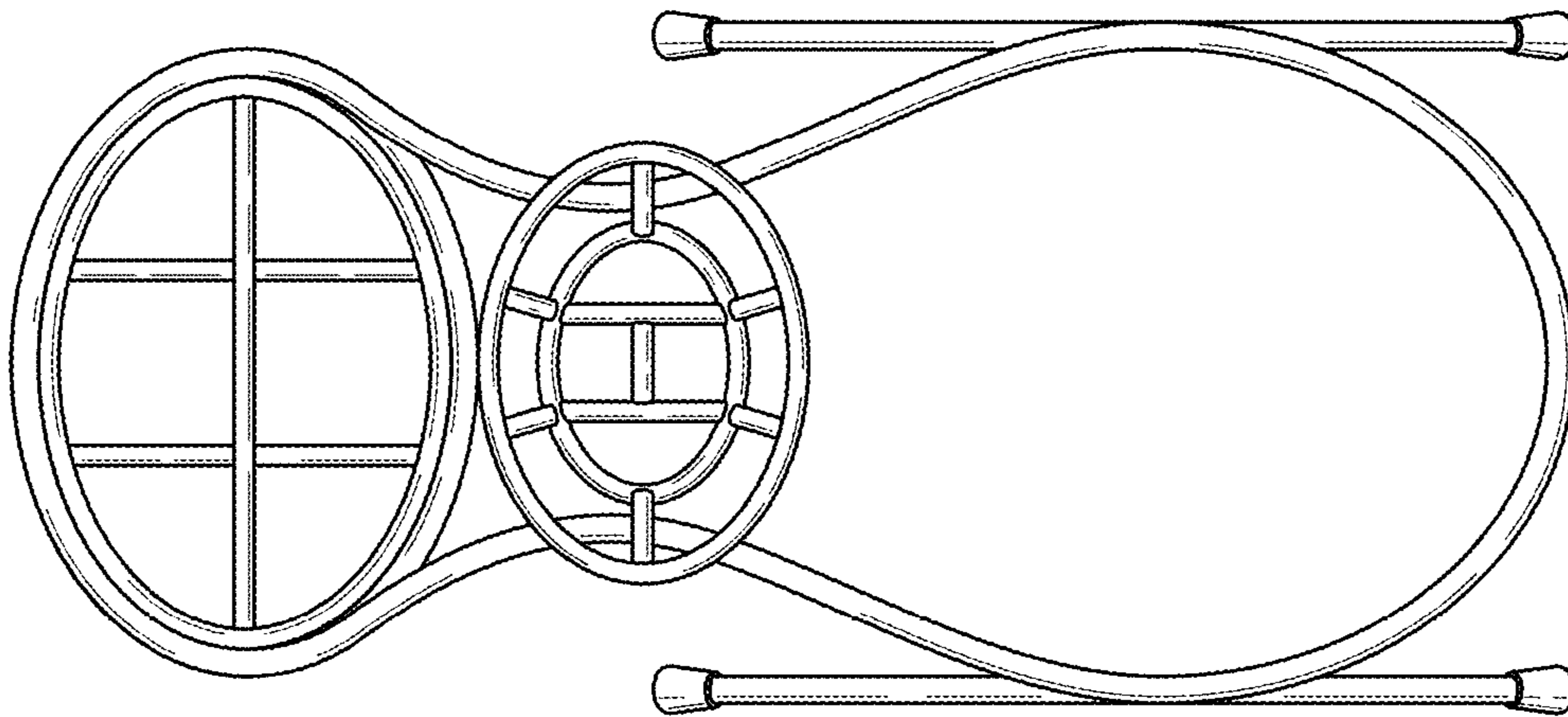


FIG. 6

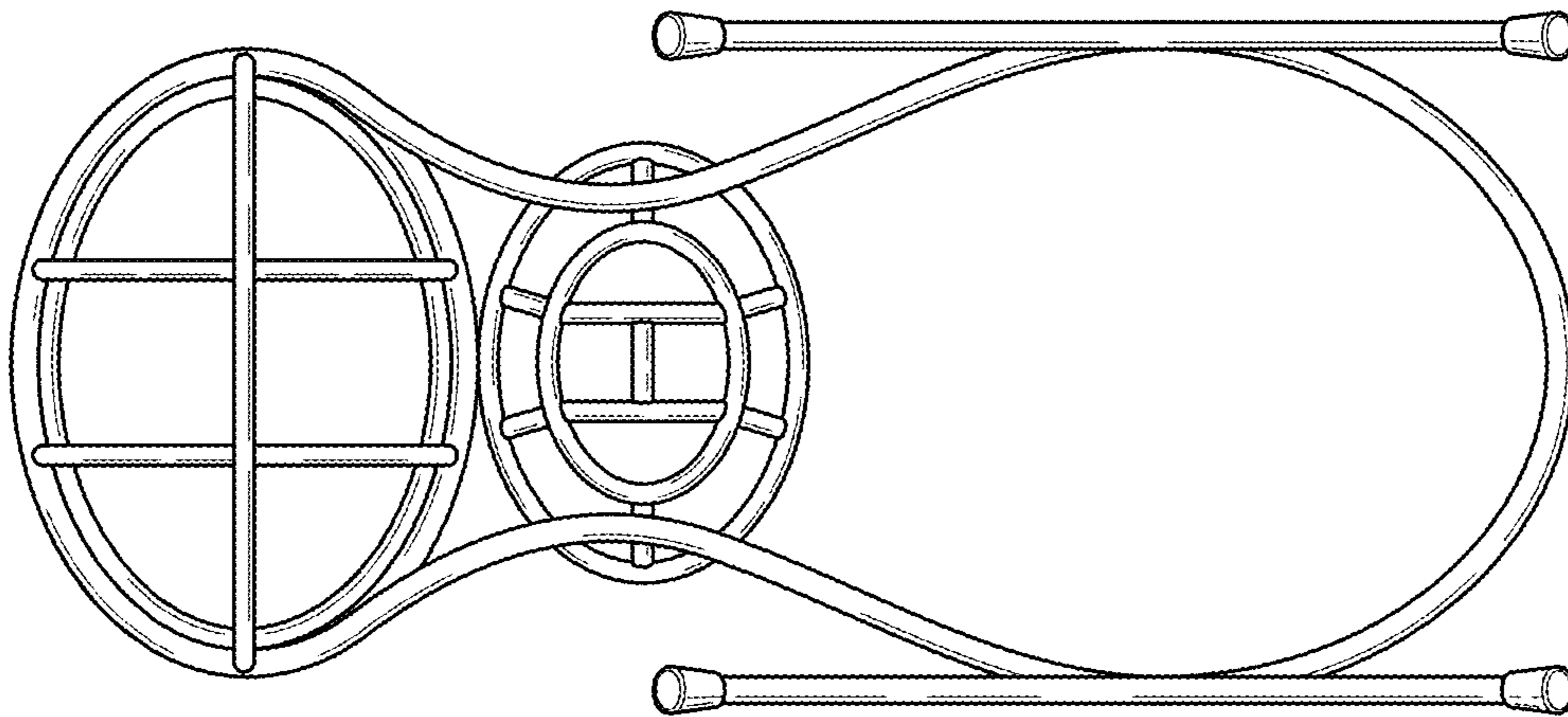


FIG. 7