



US00D769080S

(12) **United States Design Patent** (10) **Patent No.:** **US D769,080 S**
Wiggins (45) **Date of Patent:** **** Oct. 18, 2016**

(54) **FOOD CONTAINER WITH HANDLE**
(71) Applicant: **Dart Industries Inc.**, Orlando, FL (US)
(72) Inventor: **James Michael Wiggins**, Orlando, FL (US)

D511,632 S 11/2005 Lown
D551,515 S * 9/2007 Ablo D7/629
7,510,096 B2 3/2009 Wang
D630,887 S 1/2011 Olivari
D656,367 S * 3/2012 Segal D7/629
2009/0236255 A1 9/2009 Piacenza et al.

(73) Assignee: **Dart Industries Inc.**, Orlando, FL (US)
(**) Term: **14 Years**

FOREIGN PATENT DOCUMENTS

DE 102007032382 A1 1/2008
EP 1 026 090 A1 9/2000

(Continued)

(21) Appl. No.: **29/520,706**

(22) Filed: **Mar. 17, 2015**

OTHER PUBLICATIONS

Snapware Everyday Egg-Tainer; Oct. 21, 2010.

(Continued)

(51) **LOC (10) Cl.** **07-07**

(52) **U.S. Cl.**
USPC **D7/629**

(58) **Field of Classification Search**
USPC D7/601, 602, 629, 612-615, 538-549;
D9/424-432; D3/273, 274, 276
CPC A47J 47/08; A47J 47/00; A47J 47/02;
A47J 47/14; B65D 21/00; B65D 1/22;
B65D 43/00; B65D 81/3216; B65D 43/0206;
A45C 11/20

Primary Examiner — Terry Wallace

(74) *Attorney, Agent, or Firm* — Taylor J. Ross

See application file for complete search history.

(57) **CLAIM**

The ornamental design for a food container with handle, as shown and described.

(56) **References Cited**

U.S. PATENT DOCUMENTS

D188,553 S 8/1960 Tupper
D206,079 S 10/1966 Swett
3,589,554 A * 6/1971 Smith B65D 81/3216
206/514
D279,952 S * 8/1985 Daenen D7/614
4,819,824 A * 4/1989 Longbottom B65D 43/0206
220/266
4,976,370 A * 12/1990 Cassel B65D 1/22
220/792
5,082,115 A * 1/1992 Hutcheson A45C 11/20
206/545
5,116,240 A 5/1992 Wischhusen et al.
5,547,098 A 8/1996 Jordan
6,209,725 B1 4/2001 Chen
D462,877 S 9/2002 Lillelund et al.
D472,773 S 4/2003 Samartgis
D472,774 S 4/2003 Pelstring et al.

DESCRIPTION

This application is related to co-pending U.S. application Ser. Nos. 29/520,688, 29/520,691, and 29/520,704, which are incorporated by reference herein.

FIG. 1 is a top, front and right side perspective view of a food container with handle showing my new design;

FIG. 2 is a bottom, rear and left side perspective view thereof;

FIG. 3 is a top plan view thereof;

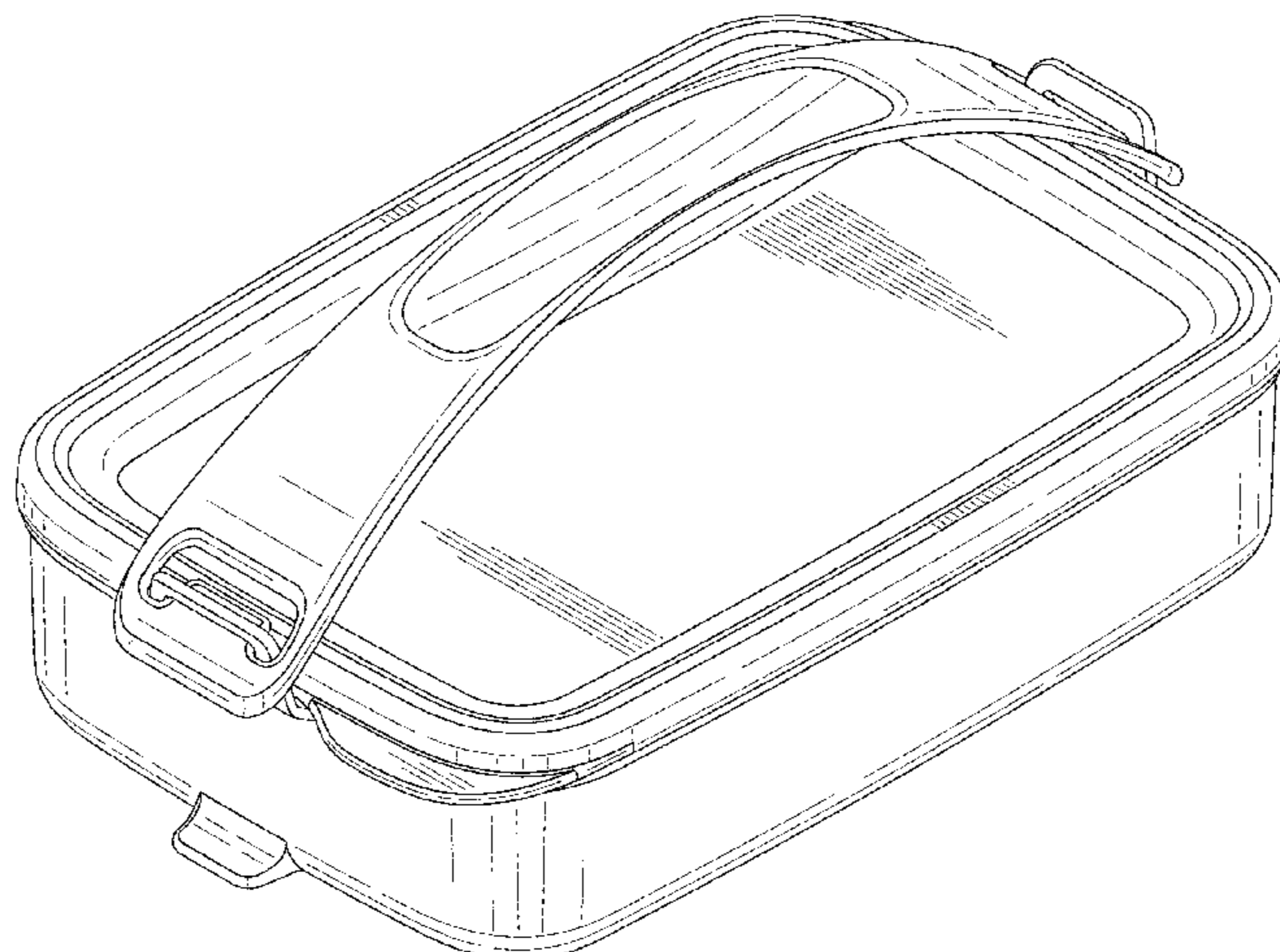
FIG. 4 is a bottom plan view thereof;

FIG. 5 is a front elevation view, the rear elevation being identical thereto;

FIG. 6 is a right side elevation view, the left side being identical thereto; and,

FIG. 7 is a cross-sectional view taken along line 7-7 of FIG. 3.

1 Claim, 7 Drawing Sheets



(56)

References Cited

KR D30-0436312 1/2007
KR D30-0453041-1 8/2007

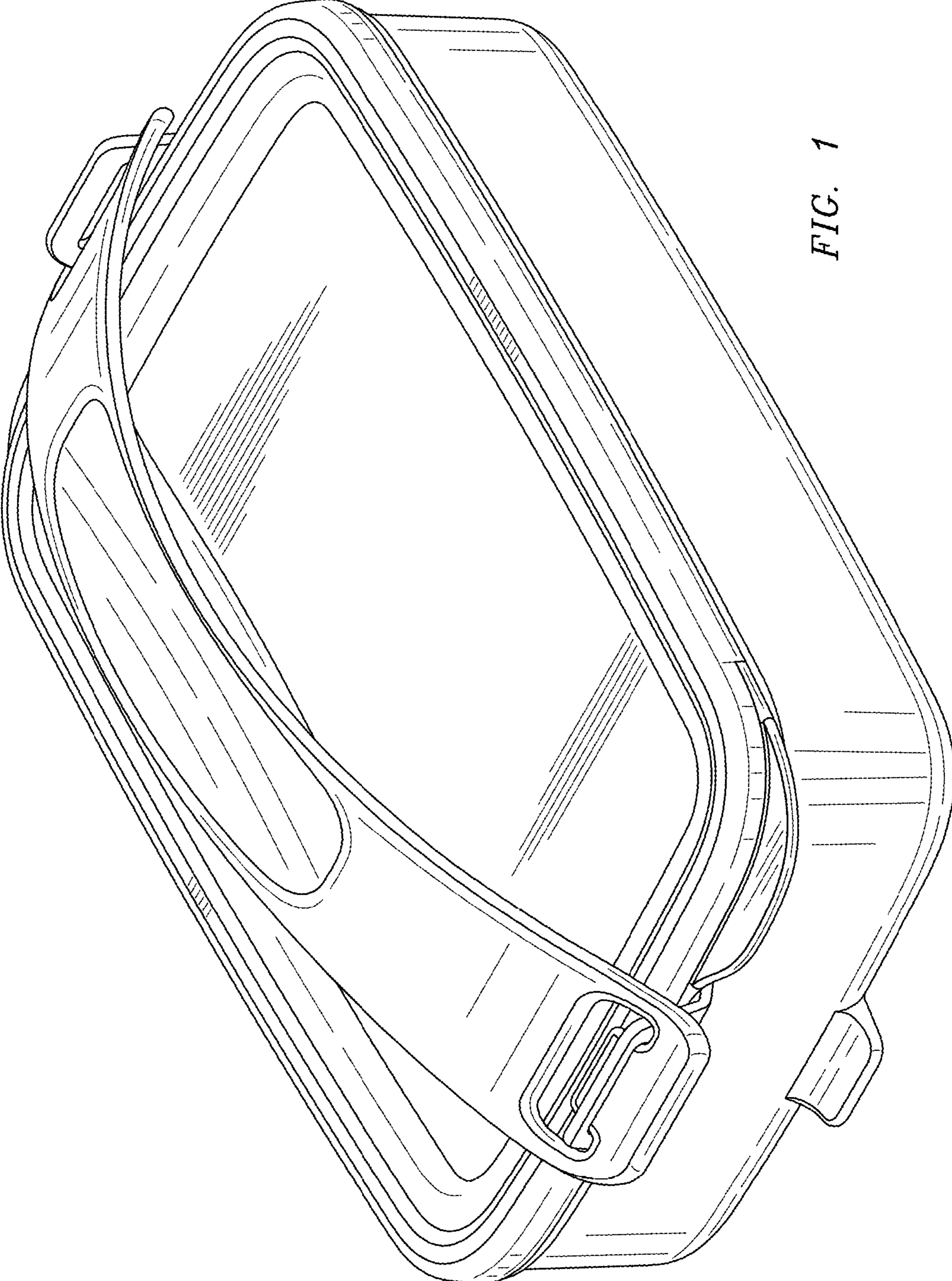
FOREIGN PATENT DOCUMENTS

JP D819887-1 1/1996
JP D954898 5/1996
JP D1501715 6/2014
JP D1517745 2/2015
KR D30-0350877 5/2004

OTHER PUBLICATIONS

Monbento Original Bento Box; MonbentoTM; Jun. 20, 2012.
Snapware Snap N Stack Storage Container; Snapware; Jun. 9, 2011.

* cited by examiner



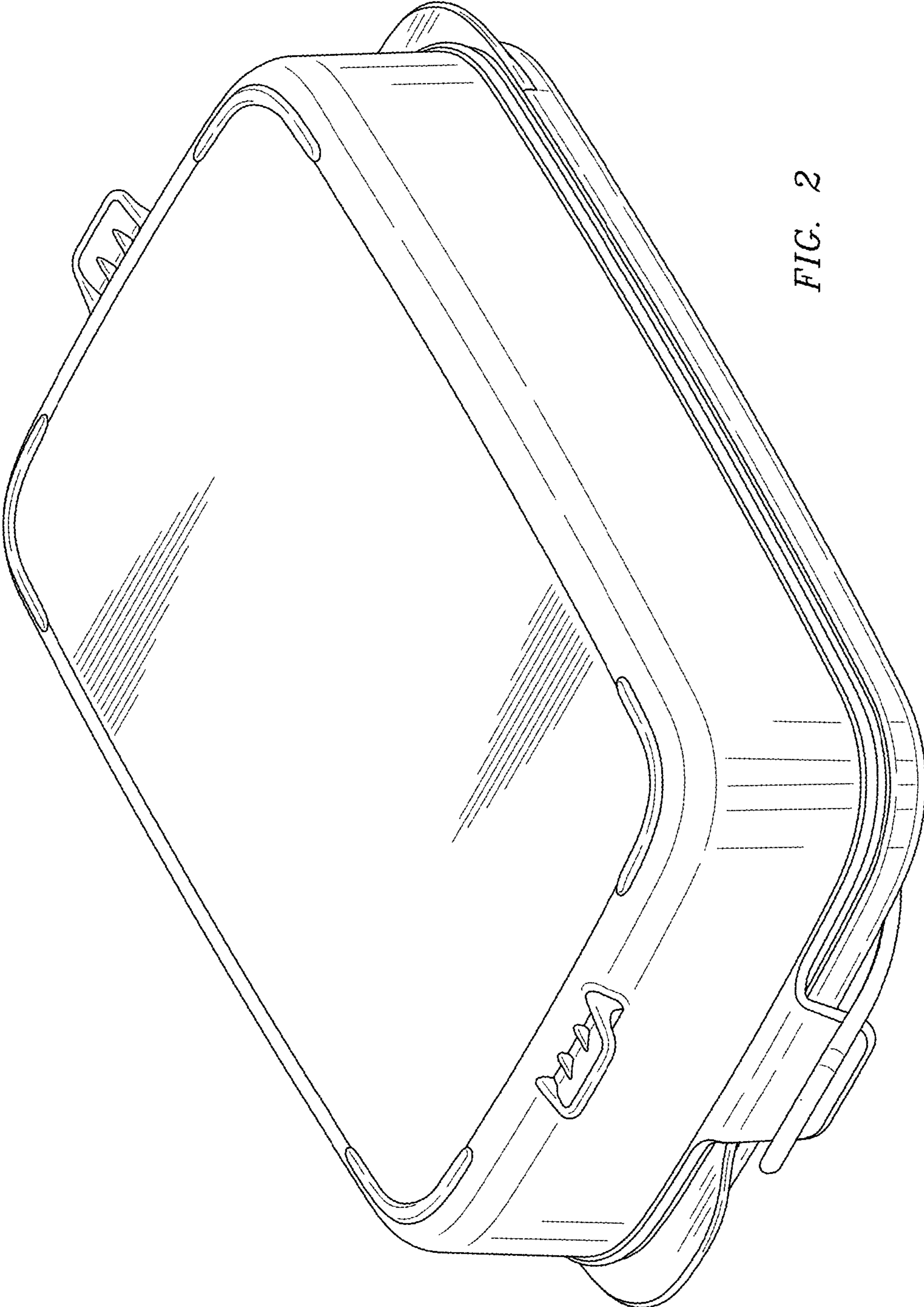


FIG. 2

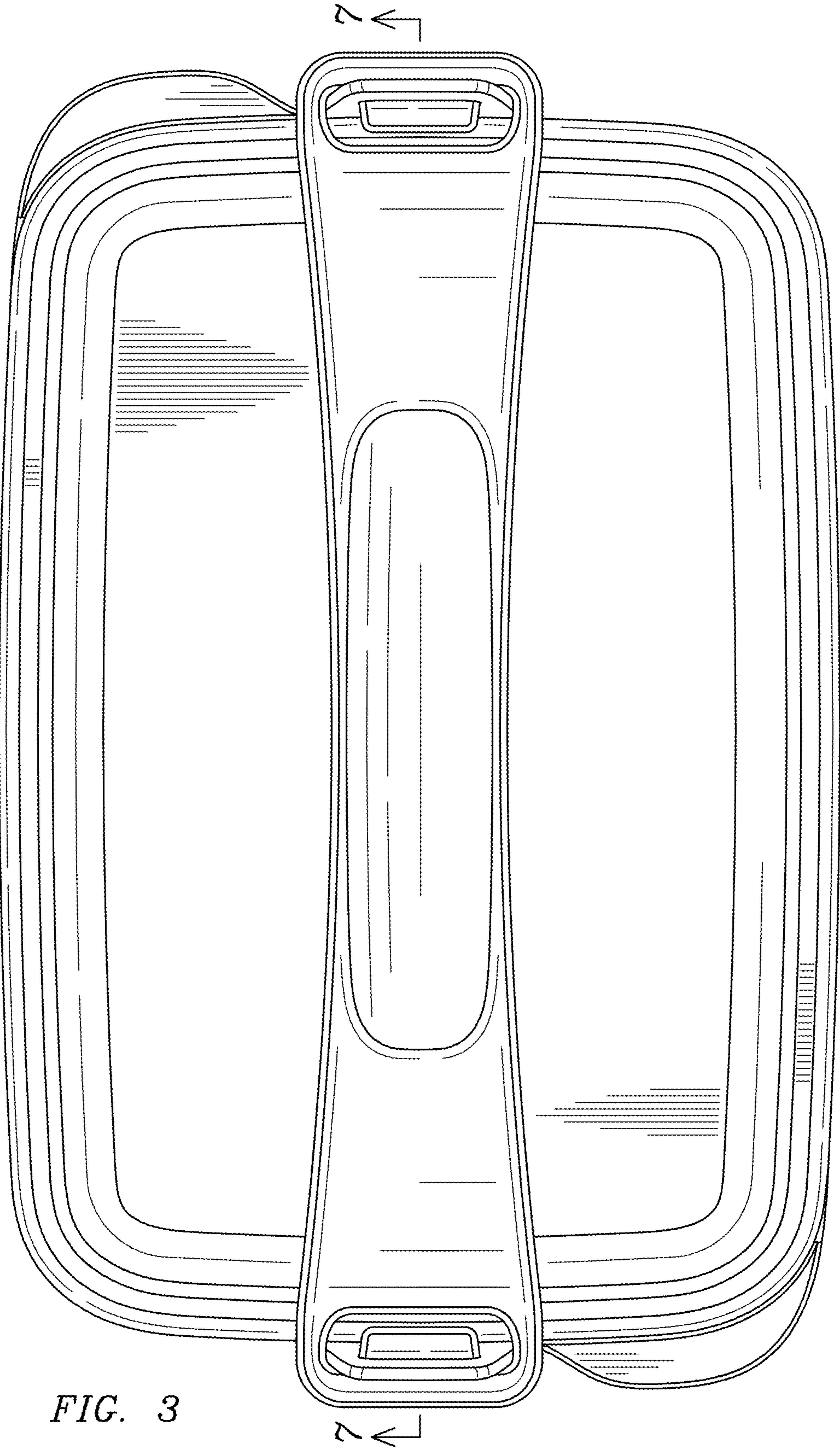


FIG. 3

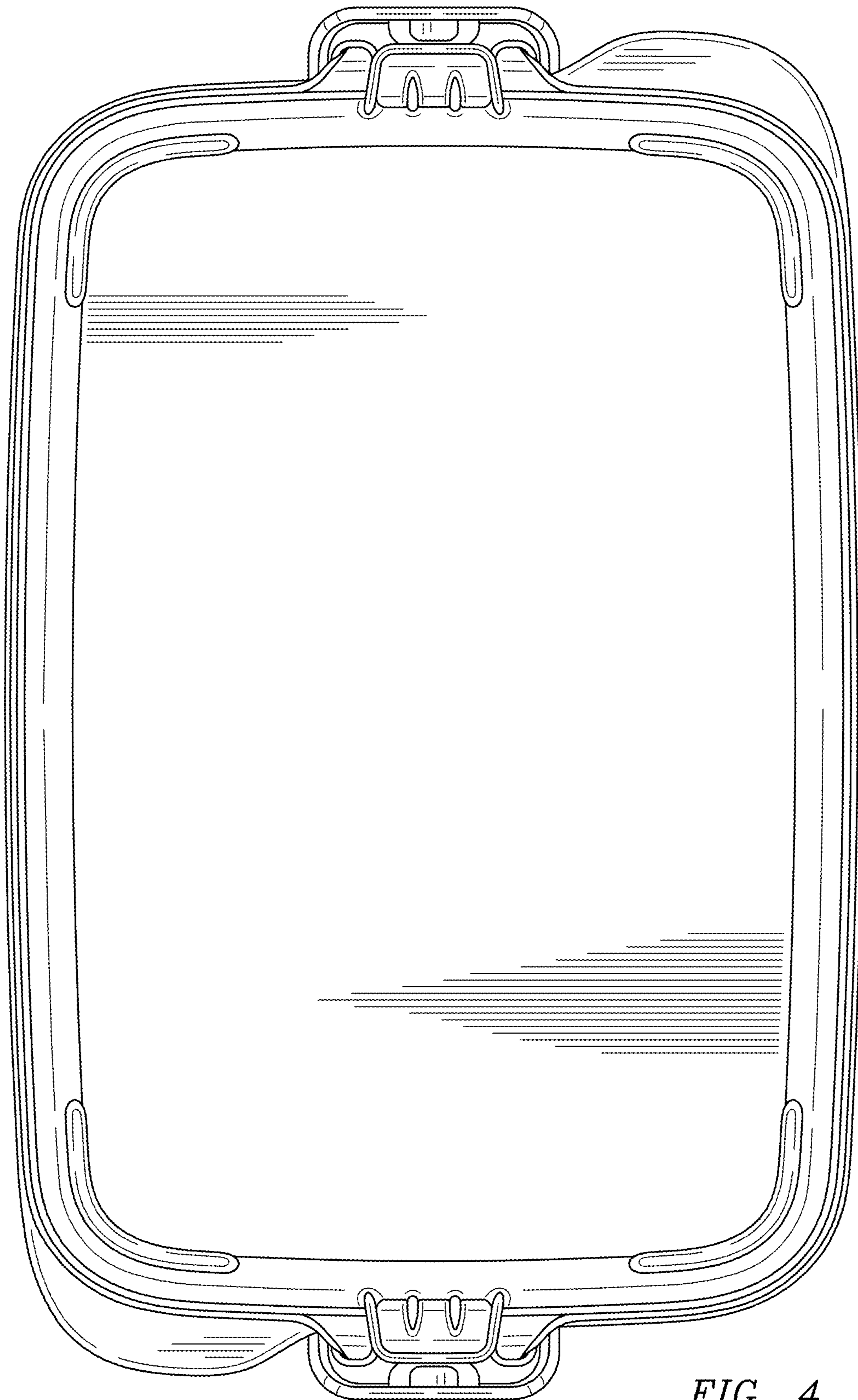


FIG. 4

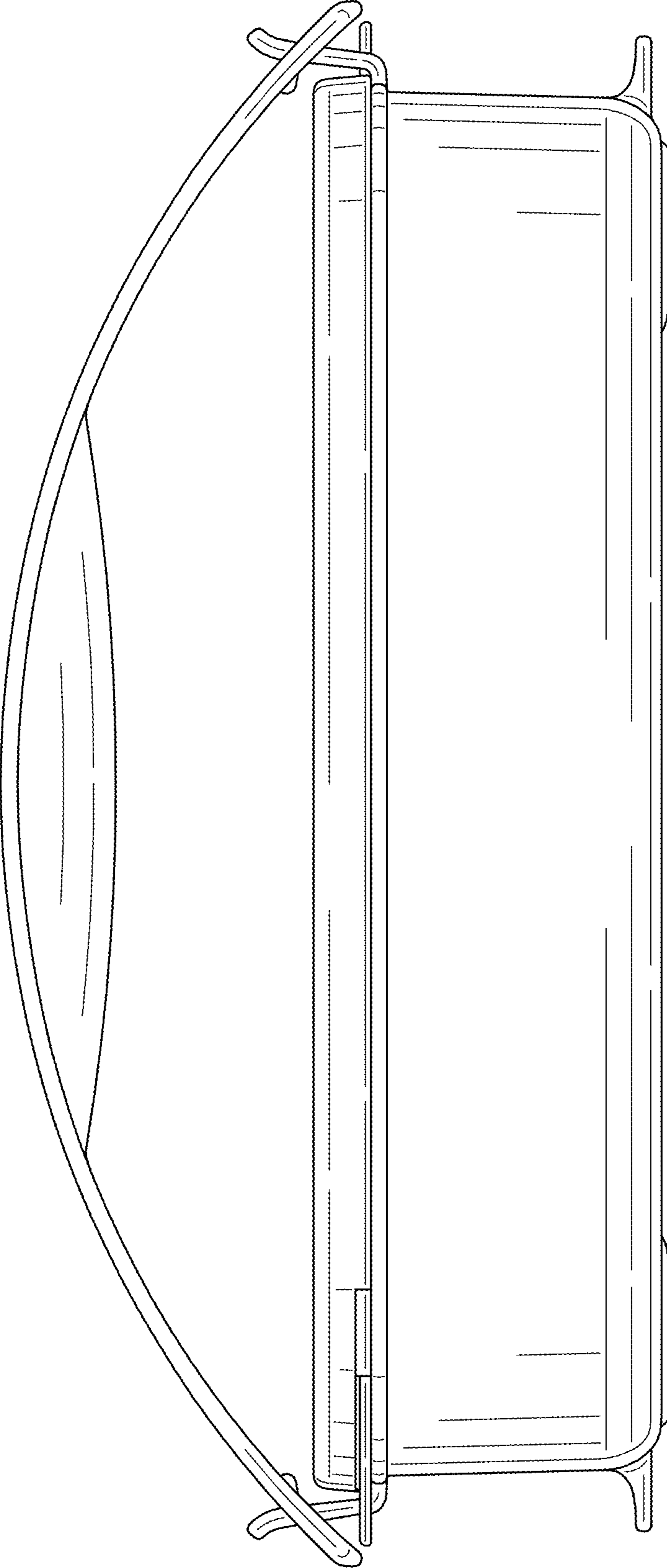


FIG. 5

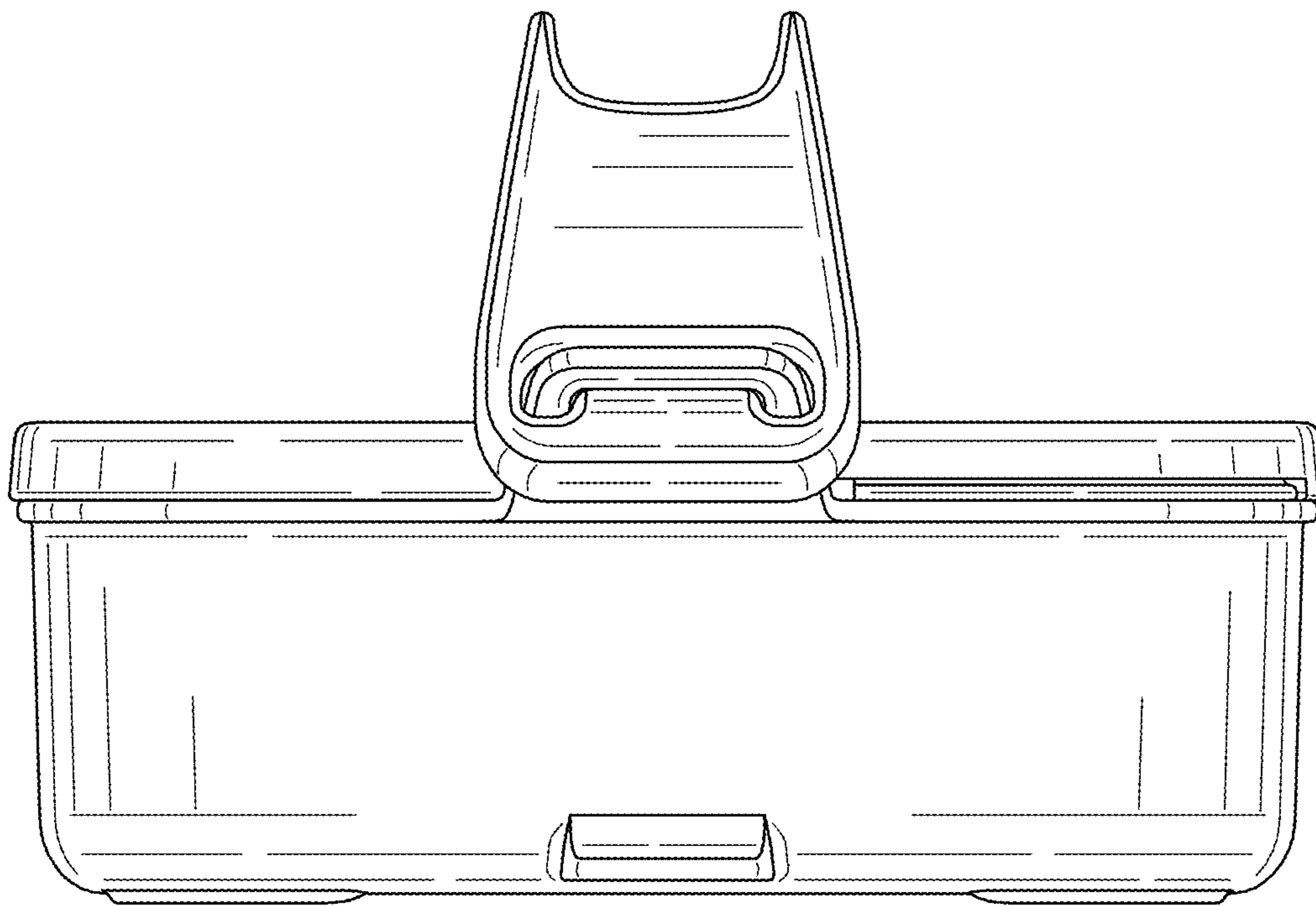


FIG. 6

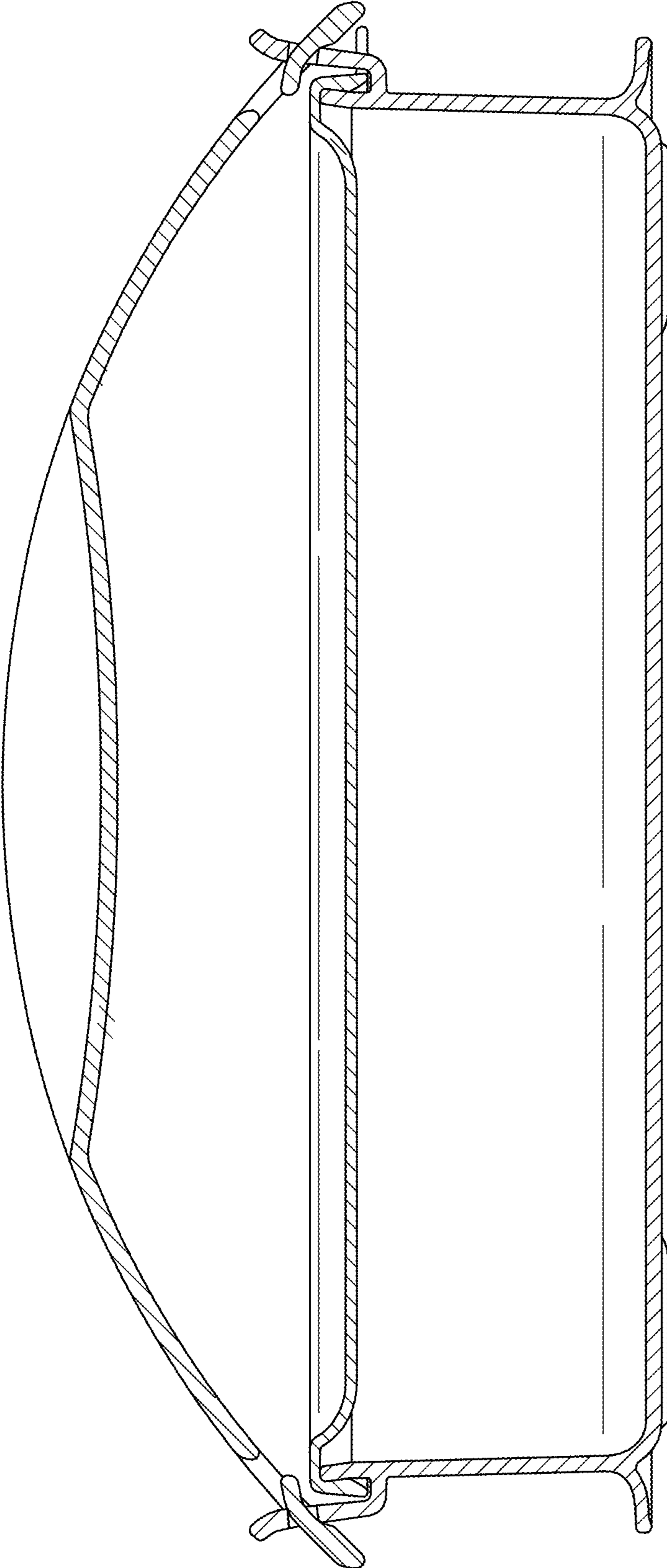


FIG. 7