

US00D769079S

(12) **United States Design Patent** (10) **Patent No.:** **US D769,079 S**  
**Kotani** (45) **Date of Patent:** **\*\* Oct. 18, 2016**

(54) **CONTAINER UPPER CLOSURE**  
(71) Applicant: **ZOJIRUSHI CORPORATION**,  
Osaka-shi, Osaka (JP)  
(72) Inventor: **Keito Kotani**, Kobe (JP)  
(73) Assignee: **Zojirushi Corporation** (JP)  
(\*\*) Term: **14 Years**  
(21) Appl. No.: **29/506,869**  
(22) Filed: **Oct. 21, 2014**

(30) **Foreign Application Priority Data**  
May 21, 2014 (JP) ..... 2014-010851  
(51) **LOC (10) Cl.** ..... **07-01**  
(52) **U.S. Cl.**  
USPC ..... **D7/608; D7/630**  
(58) **Field of Classification Search**  
USPC ..... D7/629, 602, 630, 538-542, 601, 605,  
D7/606, 607, 608; D9/415-419, 424-432,  
D9/516, 519, 520, 521, 522, 529, 530, 537,  
D9/538, 539, 540, 541, 542, 543, 549, 559,  
D9/575  
CPC B65D 1/26; B65D 43/0206; B65D 43/0214;  
B65D 43/00; B65D 1/00; B65D 1/22; B65D  
1/32; B65D 1/14; B65D 1/24; B65D 1/34;  
B65D 3/00; B65D 3/02; B65D 3/28; B65D  
5/00; B65D 5/0085; B65D 5/009; B65D  
5/18; B65D 7/00; B65D 7/02; B65D 11/00;  
B65D 11/02; B65D 11/10; B65D 39/00;  
B65D 25/38; B65D 11/20; B65D 77/065;  
B65D 2209/00; B65D 2/08; B65D 75/527;  
B65D 75/5883; B65D 75/566; B65D 43/163;  
B65D 2543/00231; B65D 51/24; A47J 47/02;  
A47J 47/08; A47J 47/10; A47G 19/00;  
A47G 19/32; A47G 23/00  
See application file for complete search history.

(56) **References Cited**  
U.S. PATENT DOCUMENTS  
D228,114 S \* 8/1973 De La Rosa ..... D7/542  
D254,180 S \* 2/1980 Morin ..... D7/612  
D268,469 S \* 4/1983 Ruxton ..... D7/320  
D300,895 S \* 5/1989 Watson ..... D7/392.1  
D312,400 S \* 11/1990 Schwaikert ..... D9/424  
D313,353 S \* 1/1991 Hart ..... D32/53.1  
D347,359 S \* 5/1994 Robbins, III ..... D7/512  
5,409,126 A \* 4/1995 DeMars ..... B65D 21/0219  
206/499  
D369,525 S \* 5/1996 Winters ..... D7/608  
(Continued)

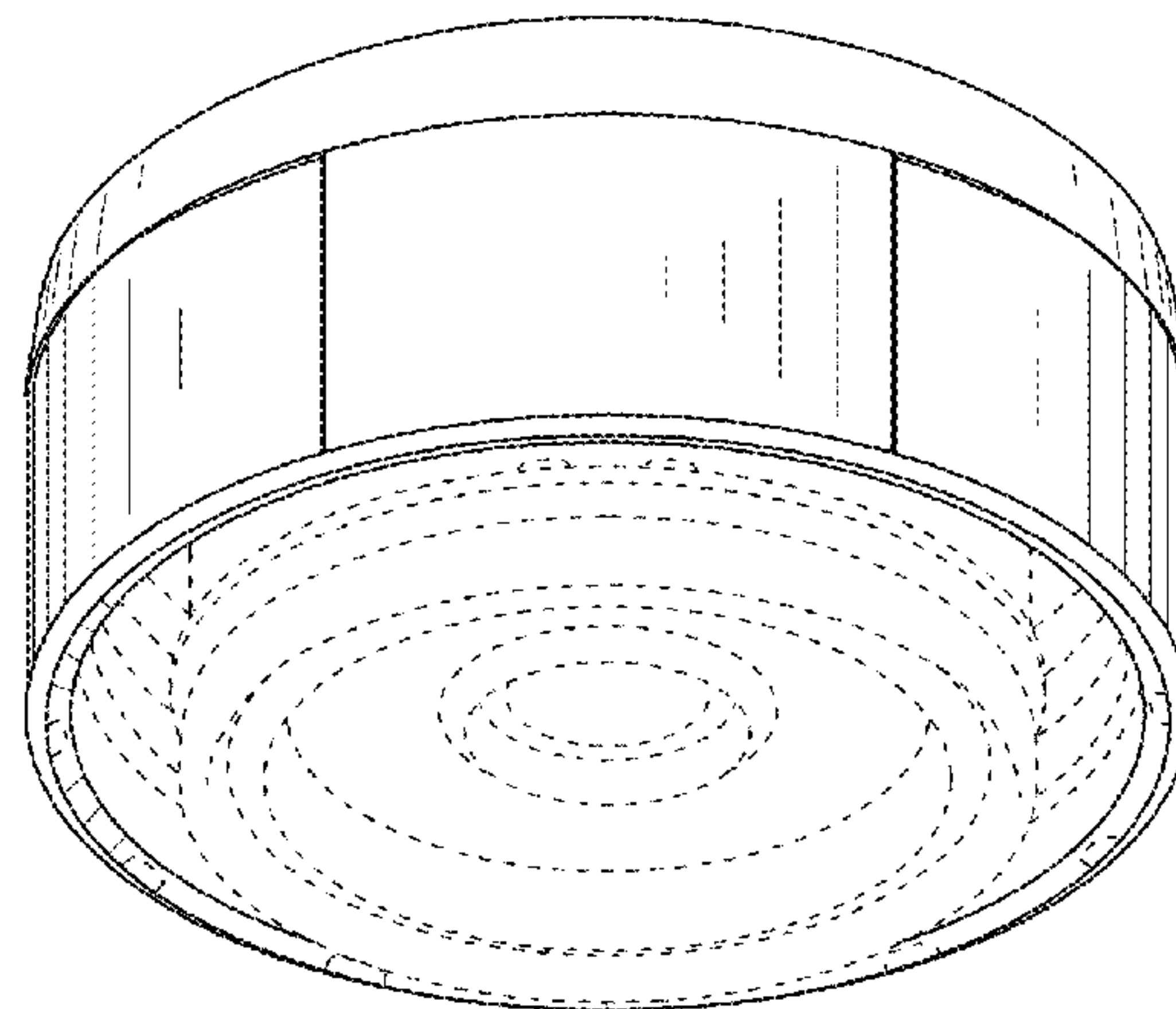
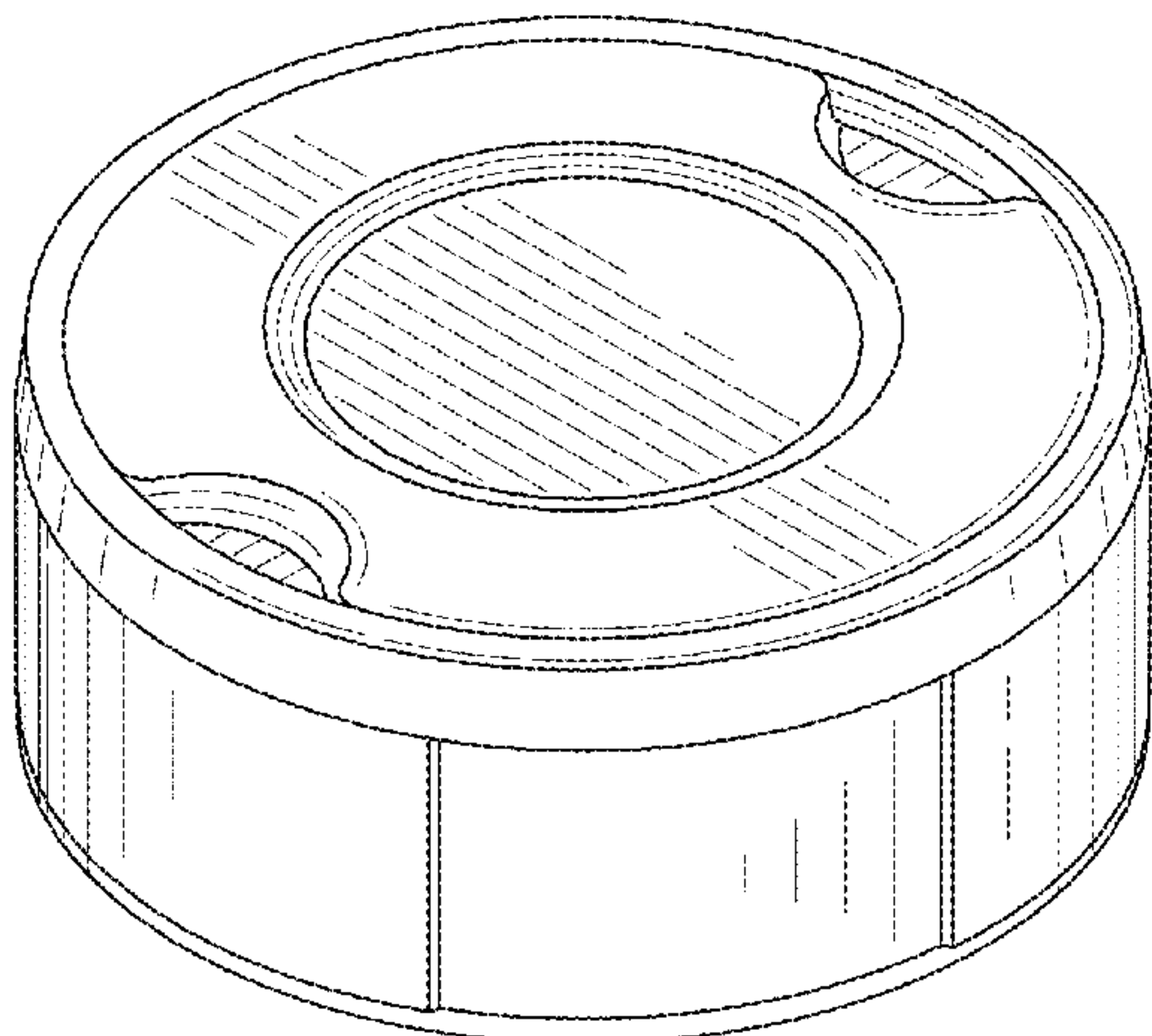
FOREIGN PATENT DOCUMENTS  
JP 1184590 9/2003  
JP 1185045 9/2003  
(Continued)

*Primary Examiner* — Ian Simmons  
*Assistant Examiner* — Shannon Morgan  
(74) *Attorney, Agent, or Firm* — Saidman DesignLaw  
Group, LLC

(57) **CLAIM**  
The ornamental design for a container upper closure, as  
shown and described.

**DESCRIPTION**  
FIG. 1 is a top perspective view of a container upper closure  
showing my new design;  
FIG. 2 is a bottom perspective view thereof;  
FIG. 3 is a front elevational view thereof;  
FIG. 4 is a rear elevational view thereof;  
FIG. 5 is a left side view thereof;  
FIG. 6 is a right side view thereof;  
FIG. 7 is a top plan view thereof; and,  
FIG. 8 is a bottom plan view thereof.  
The broken lines shown in the figures represent portions of  
the article that form no part of the claimed design.

**1 Claim, 3 Drawing Sheets**



(56)

References Cited

U.S. PATENT DOCUMENTS

D381,872 S \* 8/1997 Lin ..... D7/612  
D486,358 S \* 2/2004 Dais ..... D7/629  
D527,588 S \* 9/2006 de Groote ..... D7/629  
D579,720 S \* 11/2008 Rohe ..... D7/509  
D593,811 S \* 6/2009 Carreno ..... D7/608  
D622,554 S \* 8/2010 Carreno ..... D7/629  
D643,694 S \* 8/2011 Lu ..... D7/629  
D651,050 S \* 12/2011 Goshi ..... D7/608  
D660,657 S \* 5/2012 Picozza ..... D7/629  
D666,061 S \* 8/2012 Ying ..... D7/629  
D673,459 S \* 1/2013 Moran, Sr. .... D7/608  
D679,959 S \* 4/2013 Lane ..... D7/615  
D679,960 S \* 4/2013 Hopkins ..... D7/629

D680,387 S \* 4/2013 Hopkins ..... D7/629  
D695,066 S \* 12/2013 Nakajima ..... D23/261  
D744,290 S \* 12/2015 Endo ..... D7/608  
2011/0186585 A1\* 8/2011 Lu ..... A47J 41/00  
220/575  
2013/0020334 A1\* 1/2013 Chiou ..... B65D 25/24  
220/636  
2015/0102041 A1\* 4/2015 Lee ..... A47G 19/30  
220/575

FOREIGN PATENT DOCUMENTS

JP 1257473 12/2005  
JP 1393263 7/2010  
JP 1446119 7/2012

\* cited by examiner

FIG. 1

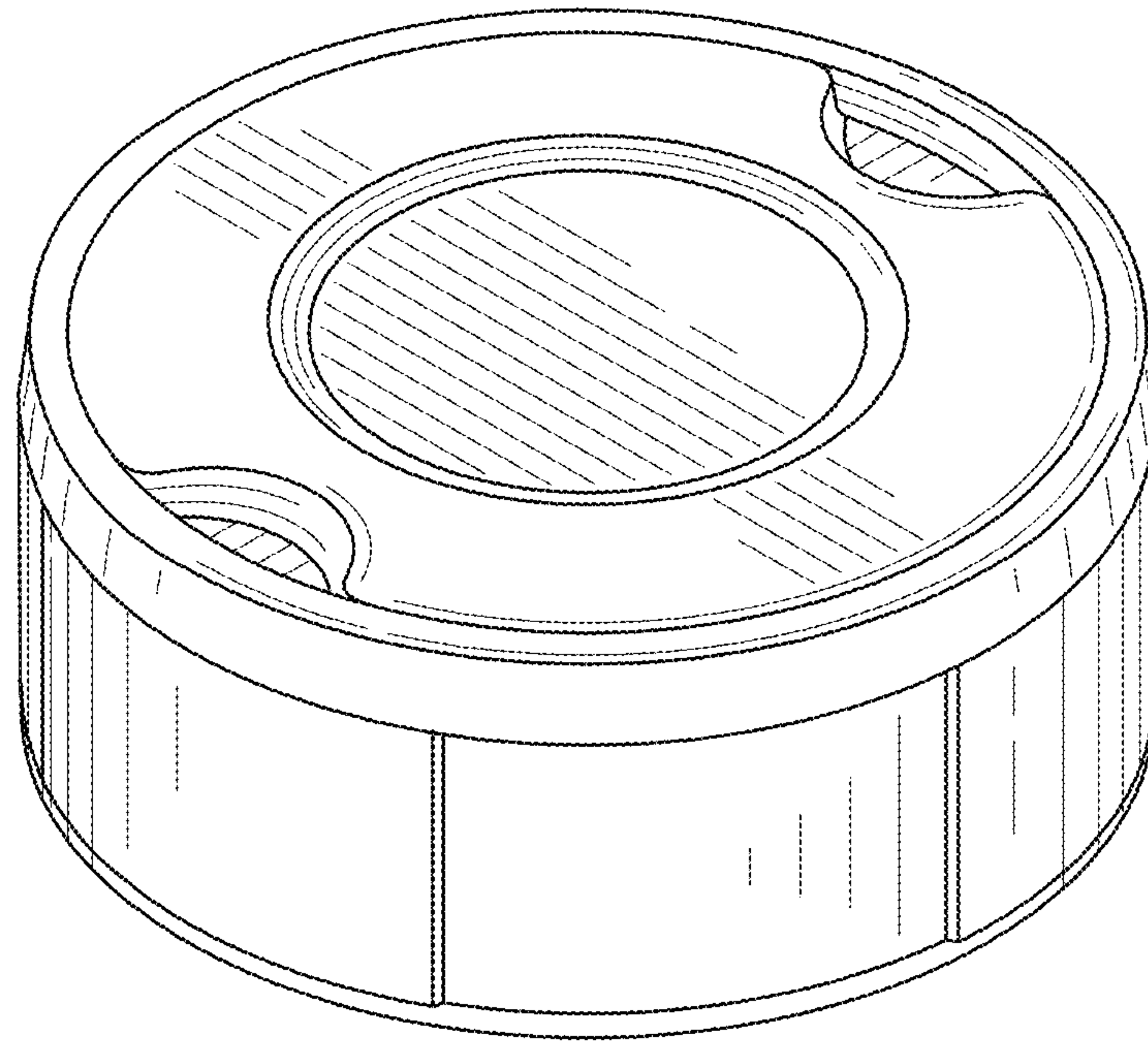


FIG. 2

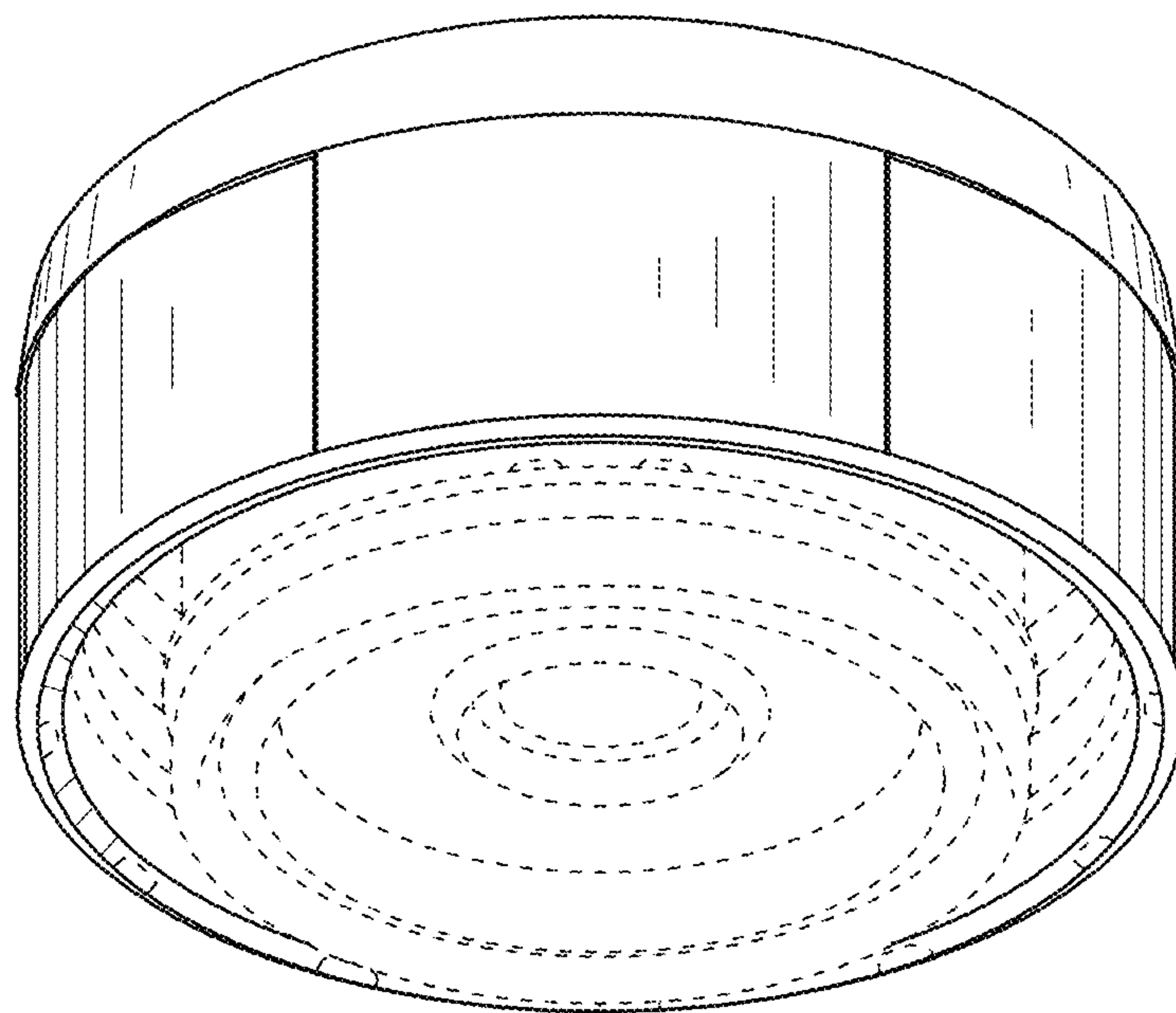




FIG. 3

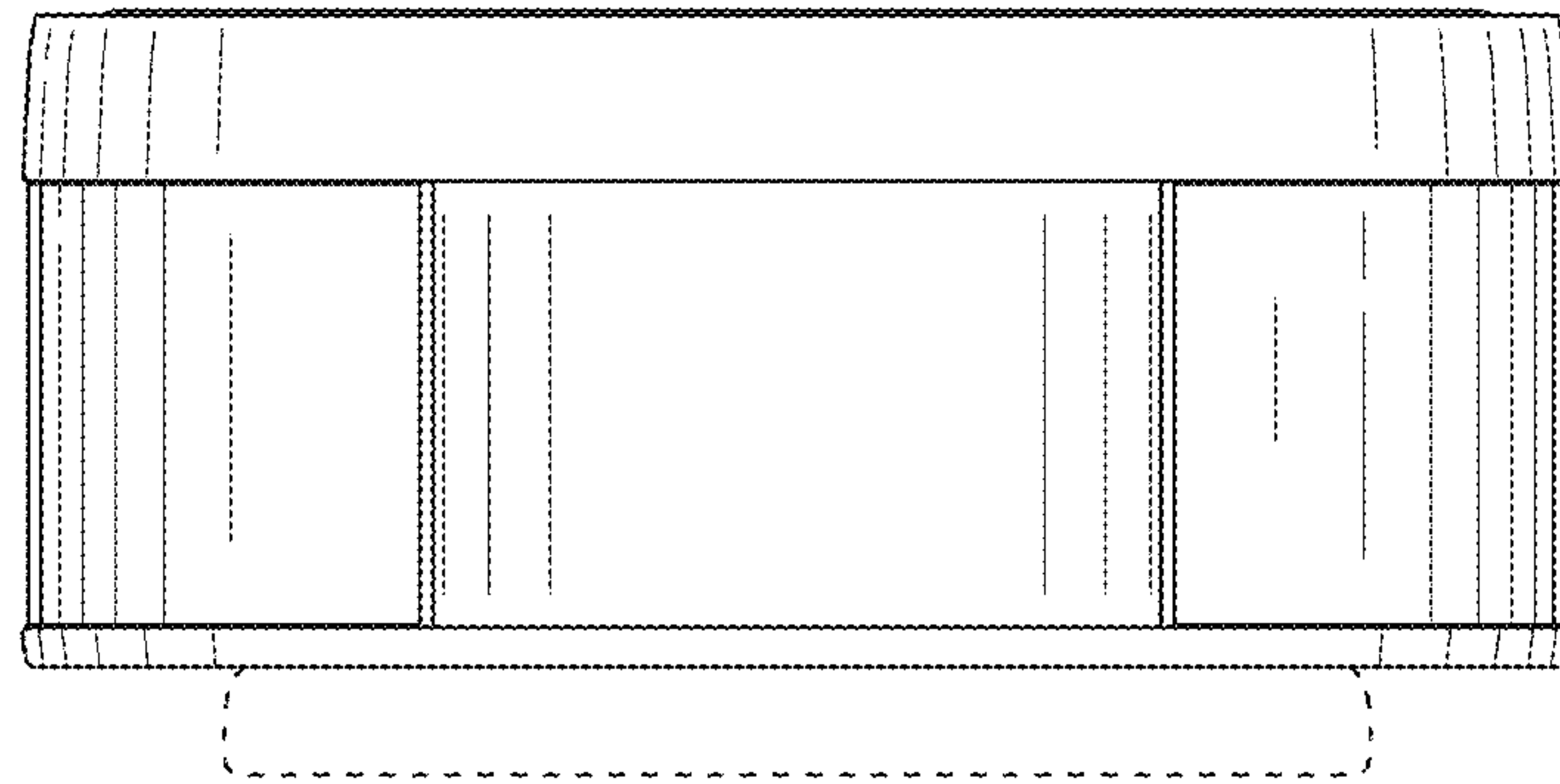


FIG. 4

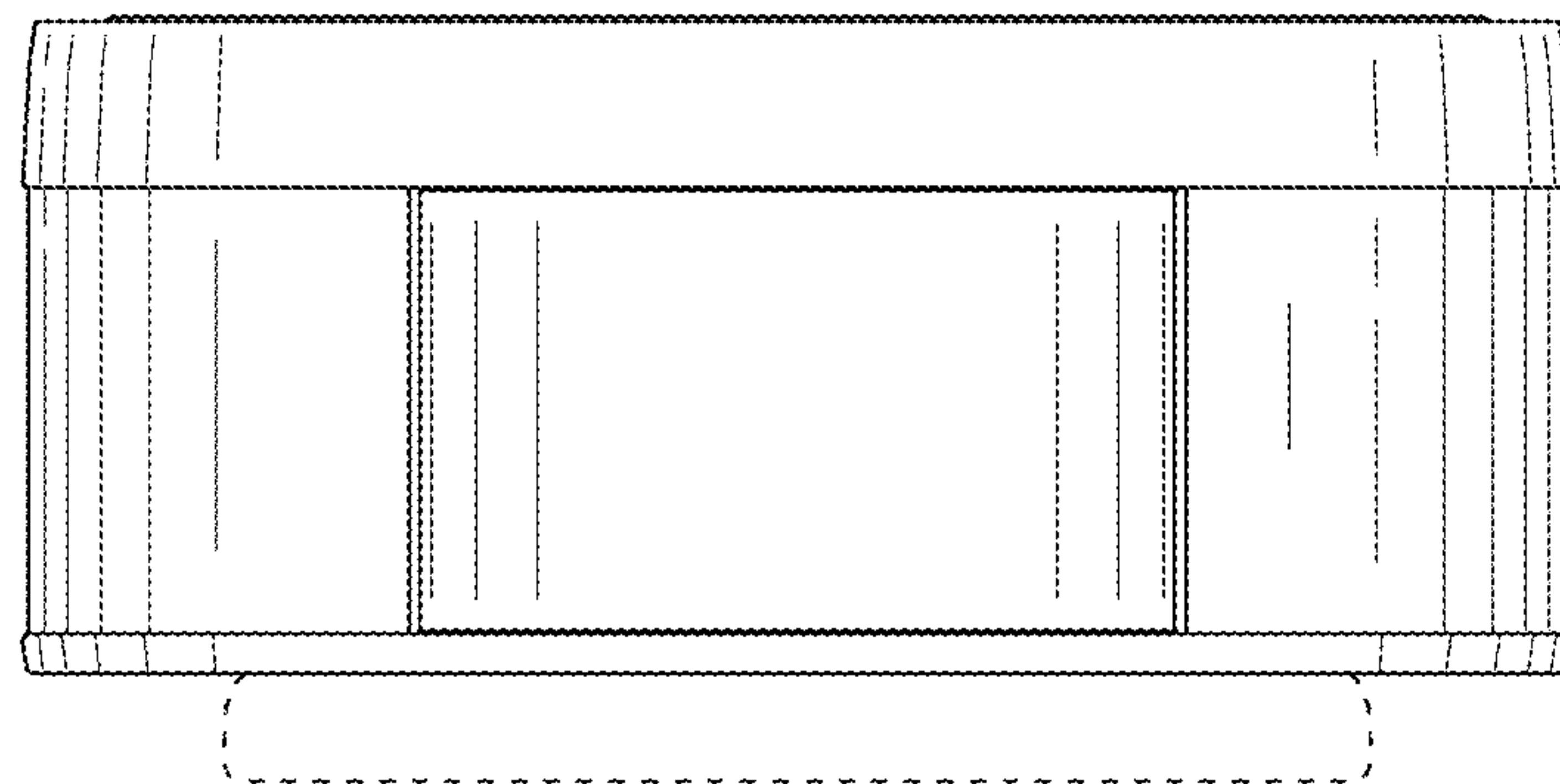


FIG. 5

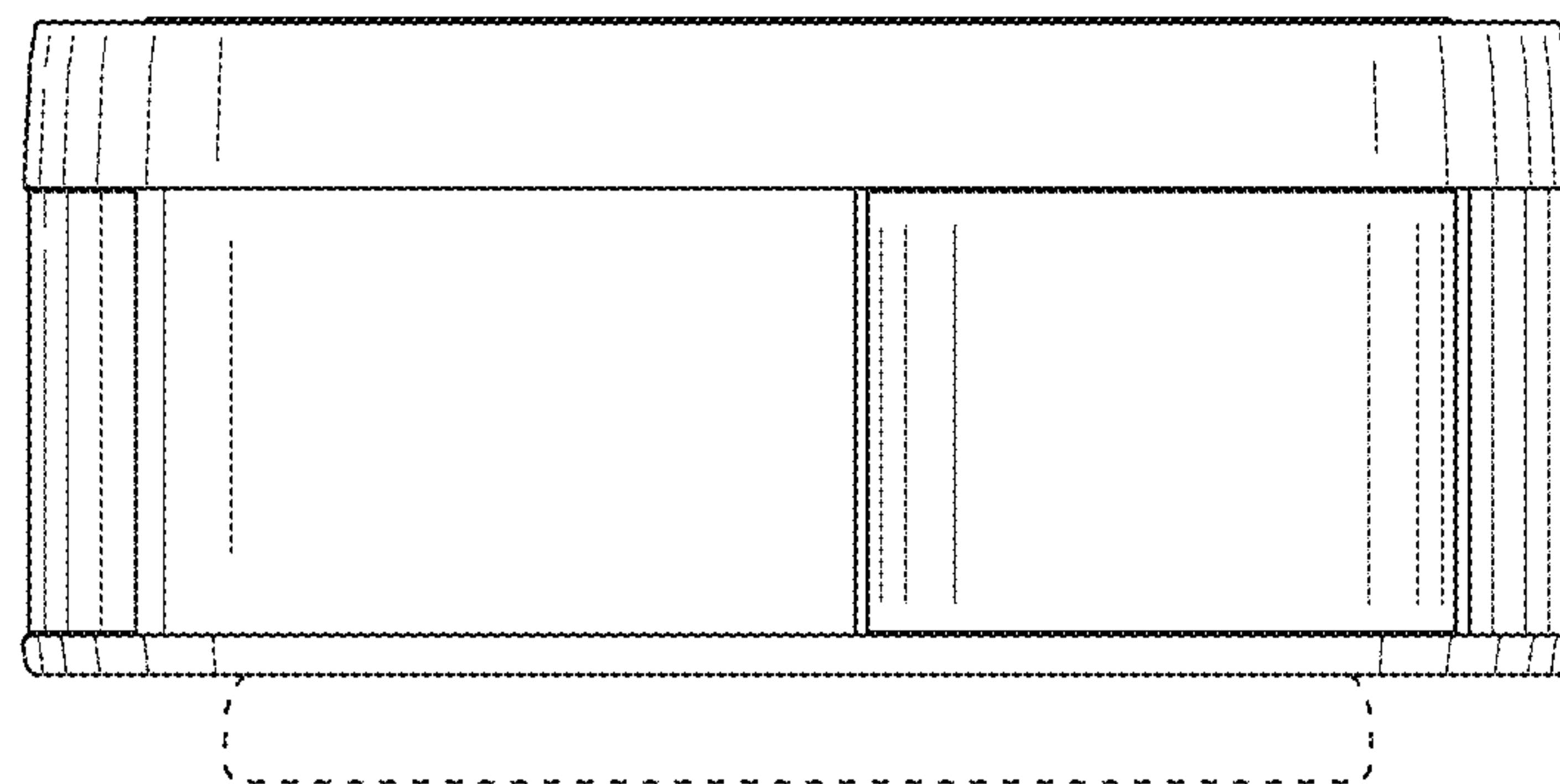


FIG. 6

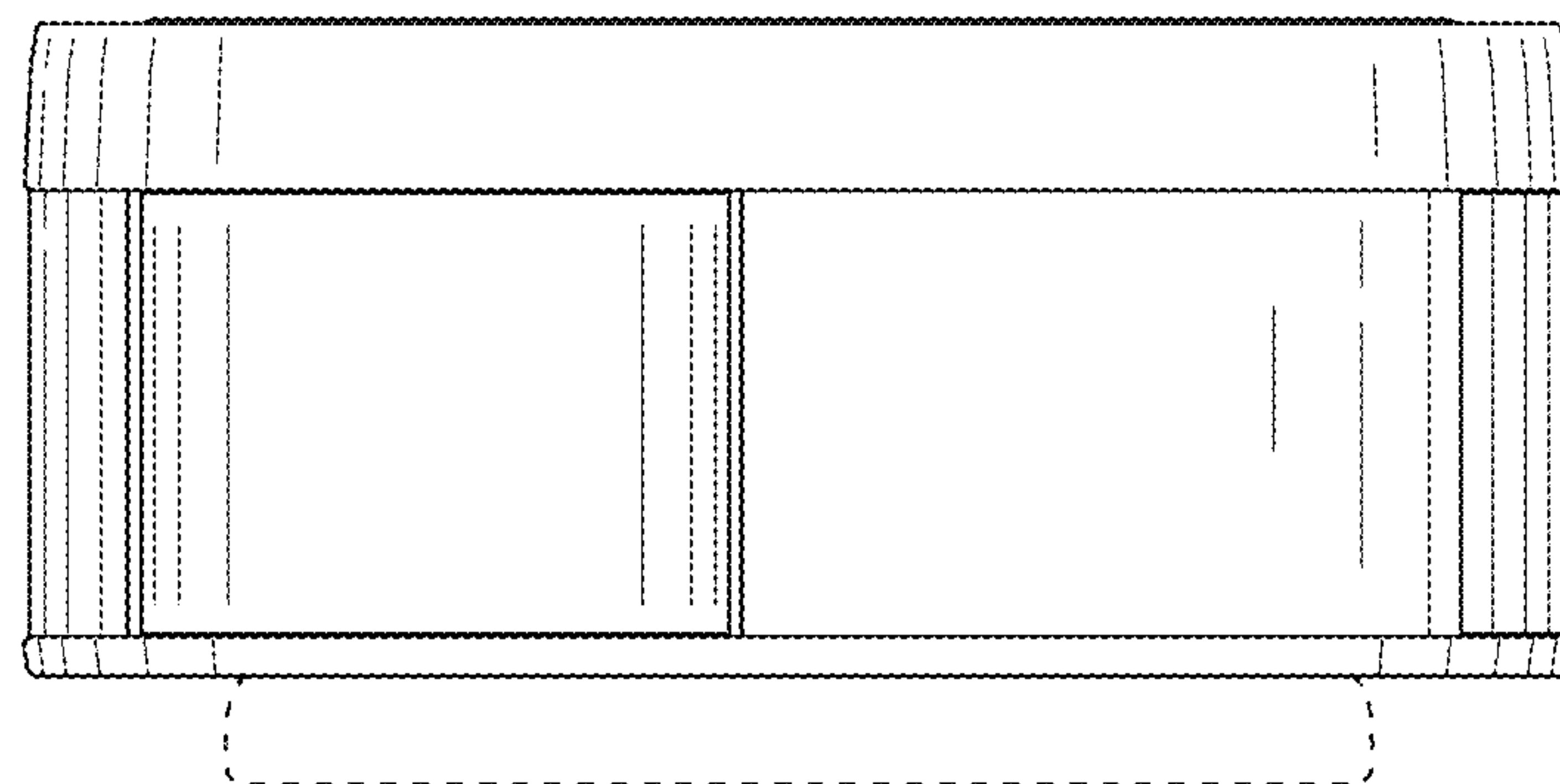


FIG. 7

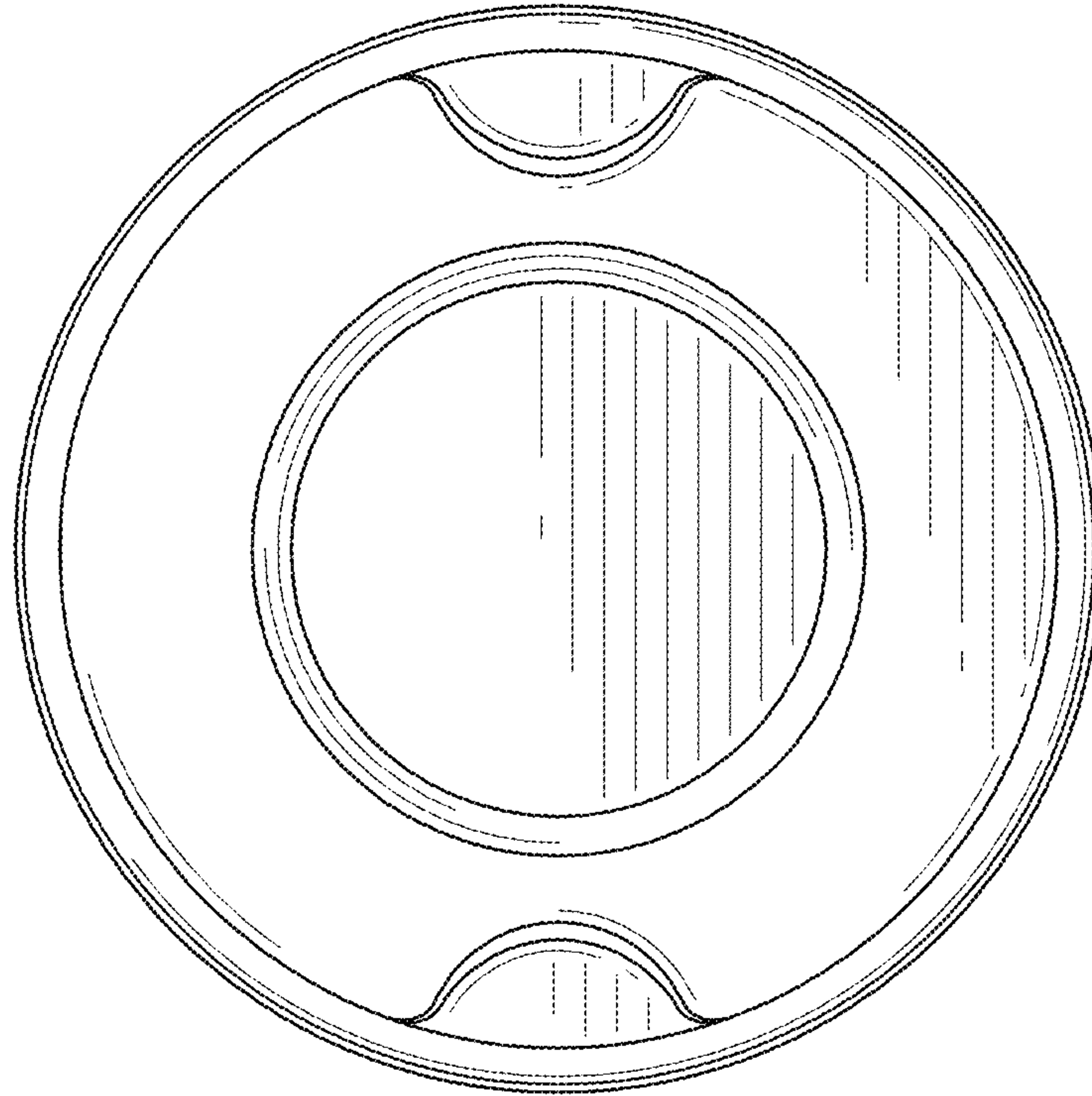


FIG. 8

