



US00D769078S

(12) **United States Design Patent** (10) **Patent No.:** **US D769,078 S**
Henderson (45) **Date of Patent:** **** Oct. 18, 2016**

(54) **COOLER HAVING ANGLED TOP FOR SPORTS GAME PLAYING SURFACE**

(71) Applicant: **Neil Henderson**, San Pedro, CA (US)

(72) Inventor: **Neil Henderson**, San Pedro, CA (US)

(**) Term: **15 Years**

(21) Appl. No.: **29/533,297**

(22) Filed: **Jul. 15, 2015**

(51) **LOC (10) Cl.** **07-01**

(52) **U.S. Cl.**
USPC **D7/605**

(58) **Field of Classification Search**
USPC D7/602-608, 619.1, 619.2, 629, 630,
D7/709, 710

CPC A45C 11/20; A45C 5/14; A45C 5/03;
A47B 77/08; B65D 8/18; B65D 5/48; B65D
21/00; B65D 21/08; B65D 6/16; B65D
21/083; B65D 81/38; B65D 81/3816; B65B
63/08; F25D 3/08; F25D 27/00; F25D 3/06;
F25D 2331/804; F25D 11/003; H05B 3/06;
B62B 2202/52; B62B 1/12; B67D 3/0067
See application file for complete search history.

(56) **References Cited**

U.S. PATENT DOCUMENTS

D368,206 S * 3/1996 Wedi D7/605
D502,845 S * 3/2005 Wilgus D7/605
6,964,179 B2 * 11/2005 Yoshida F25D 11/003
220/259.2
D686,882 S * 7/2013 Chiu D7/605

* cited by examiner

Primary Examiner — Freda S Nunn

(74) *Attorney, Agent, or Firm* — Mitchell Law PLLC;
Matthew W. Mitchell

(57) **CLAIM**

The ornamental design for a cooler having angled top for sports game playing surface, as shown and described.

DESCRIPTION

FIG. 1 is a front perspective view of the cooler having angled top for sports game playing surface of the present invention;

FIG. 2 is a back perspective view of the invention of FIG. 1;

FIG. 3 is a front view of the invention of FIG. 1;

FIG. 4 is a back view of the invention of FIG. 1;

FIG. 5 is a side view of the invention of FIG. 1, as seen from the left side of FIG. 3;

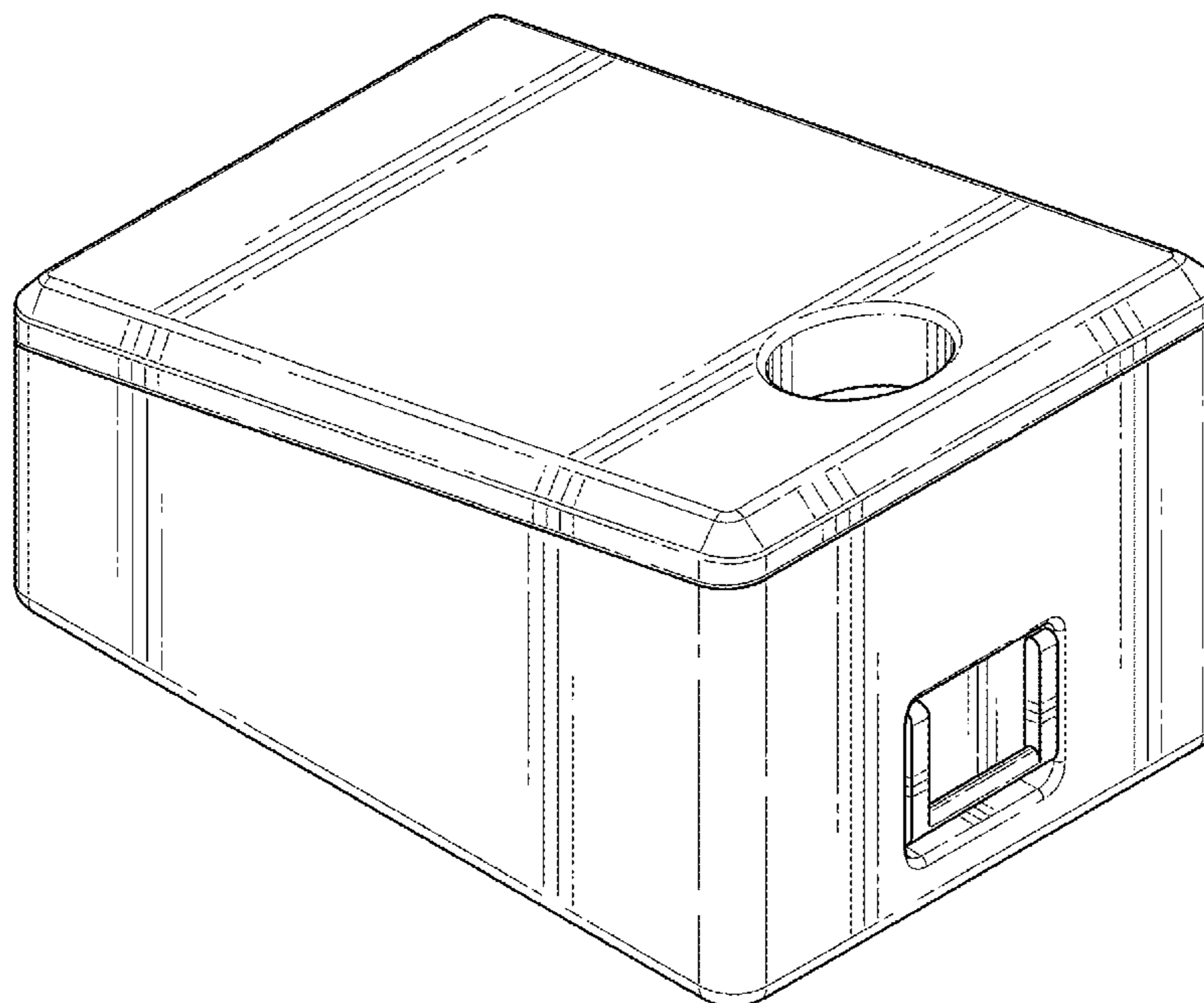
FIG. 6 is a side view of the invention of FIG. 1, as seen from the right side of FIG. 3;

FIG. 7 is a top view of the invention of FIG. 1; and,

FIG. 8 is a bottom view of the invention of FIG. 1.

The broken lines shown inside the hole in FIG. 7 represent environment only and form no part of the claimed design.

1 Claim, 8 Drawing Sheets



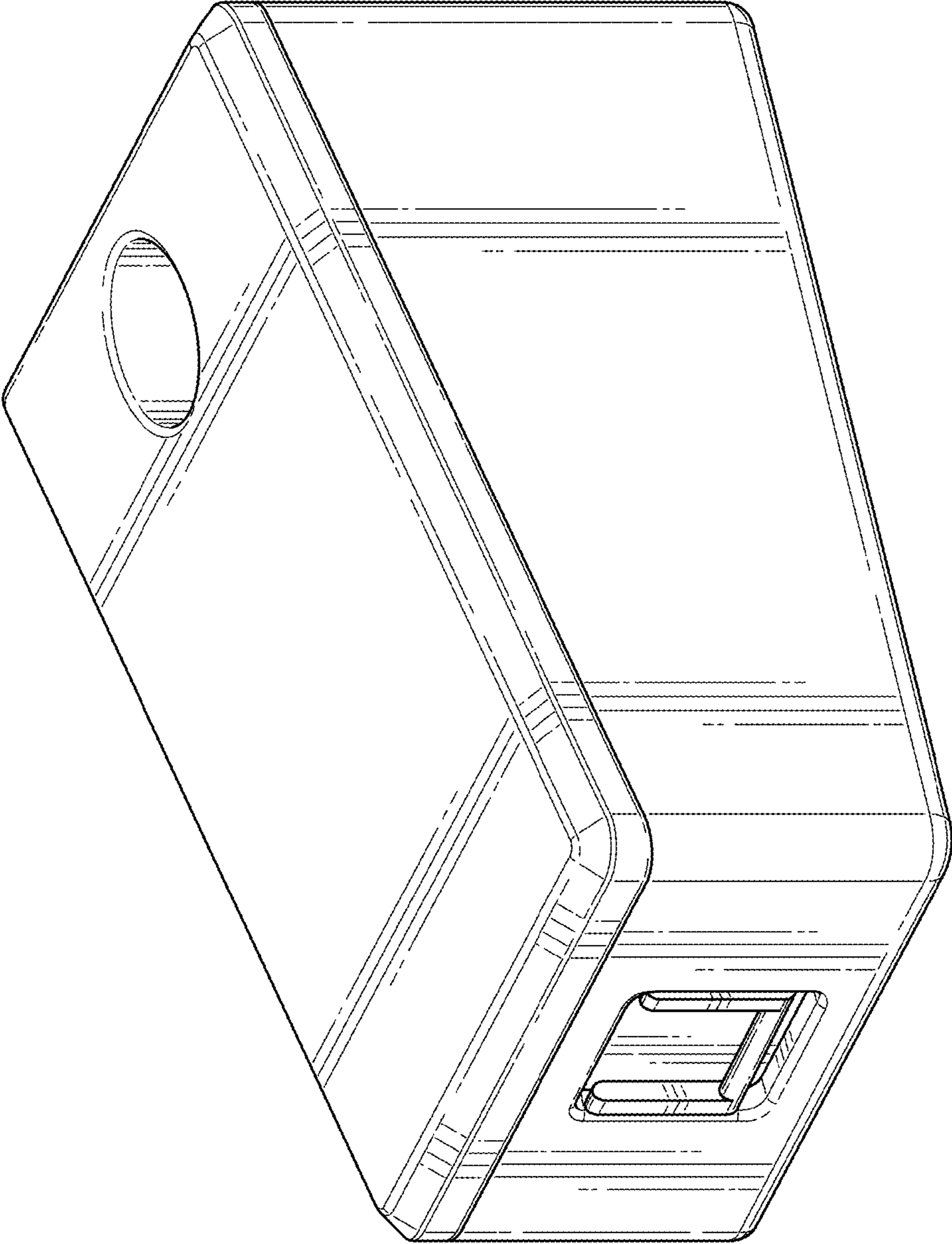


FIG. 1

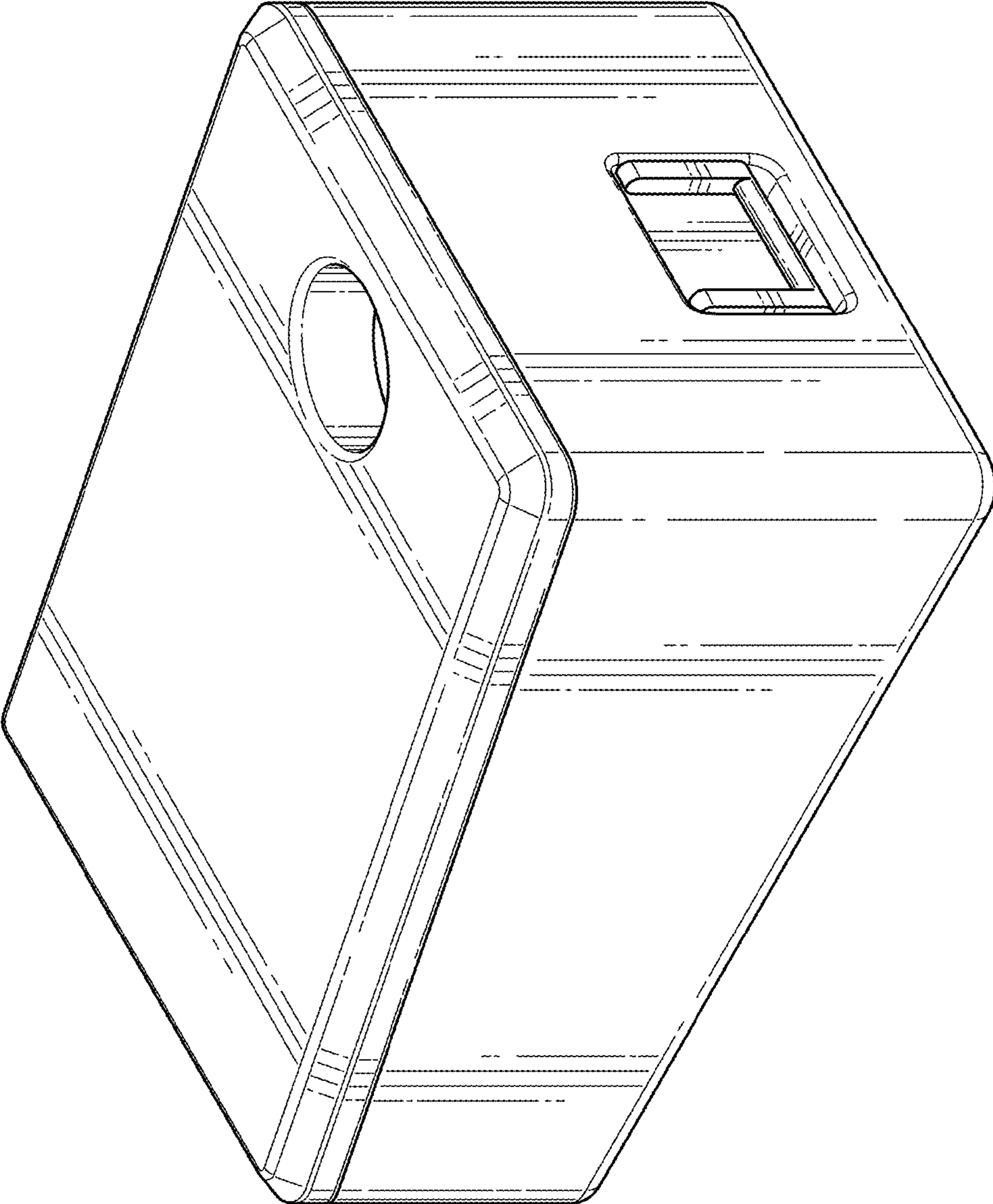


FIG. 2

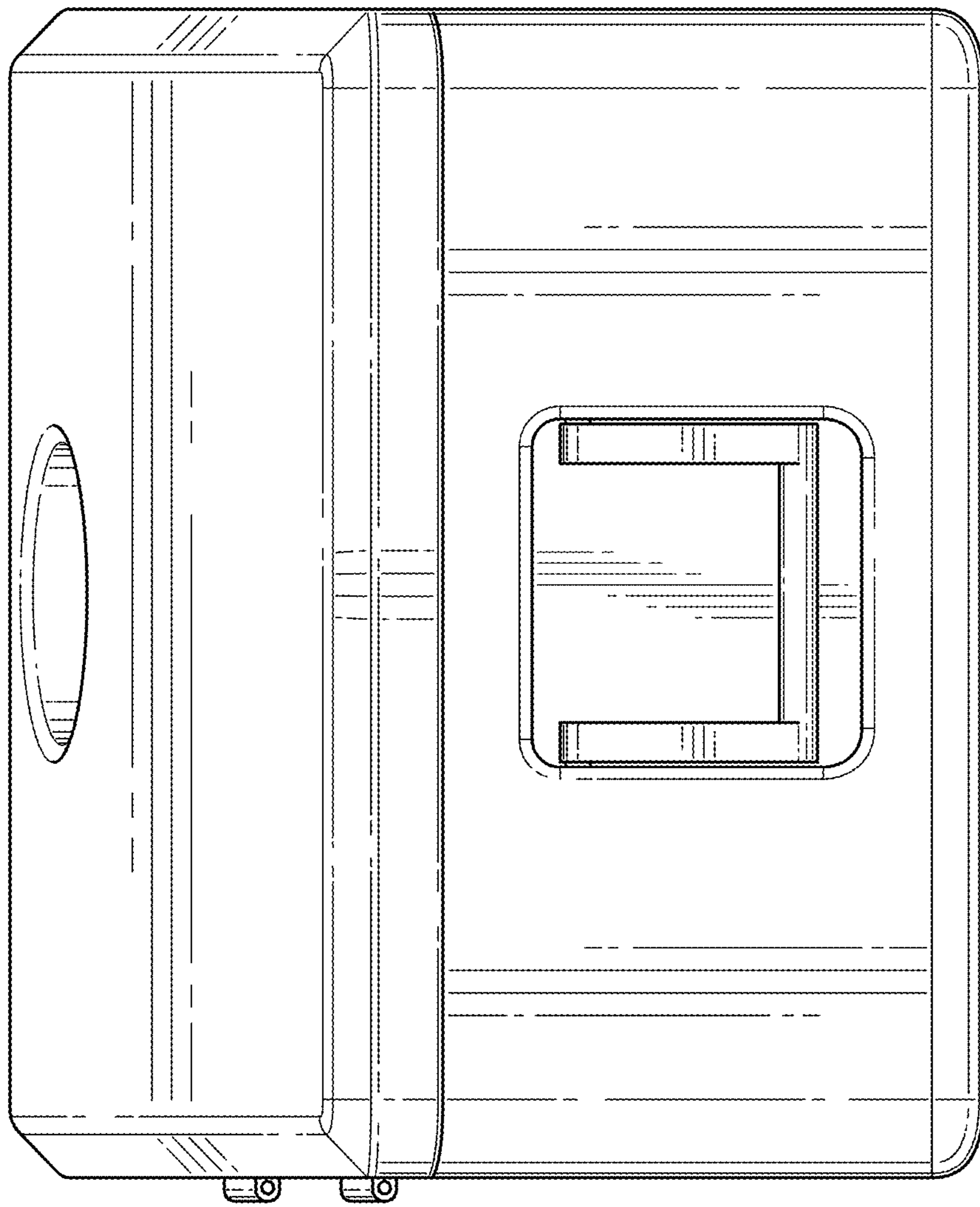


FIG. 3

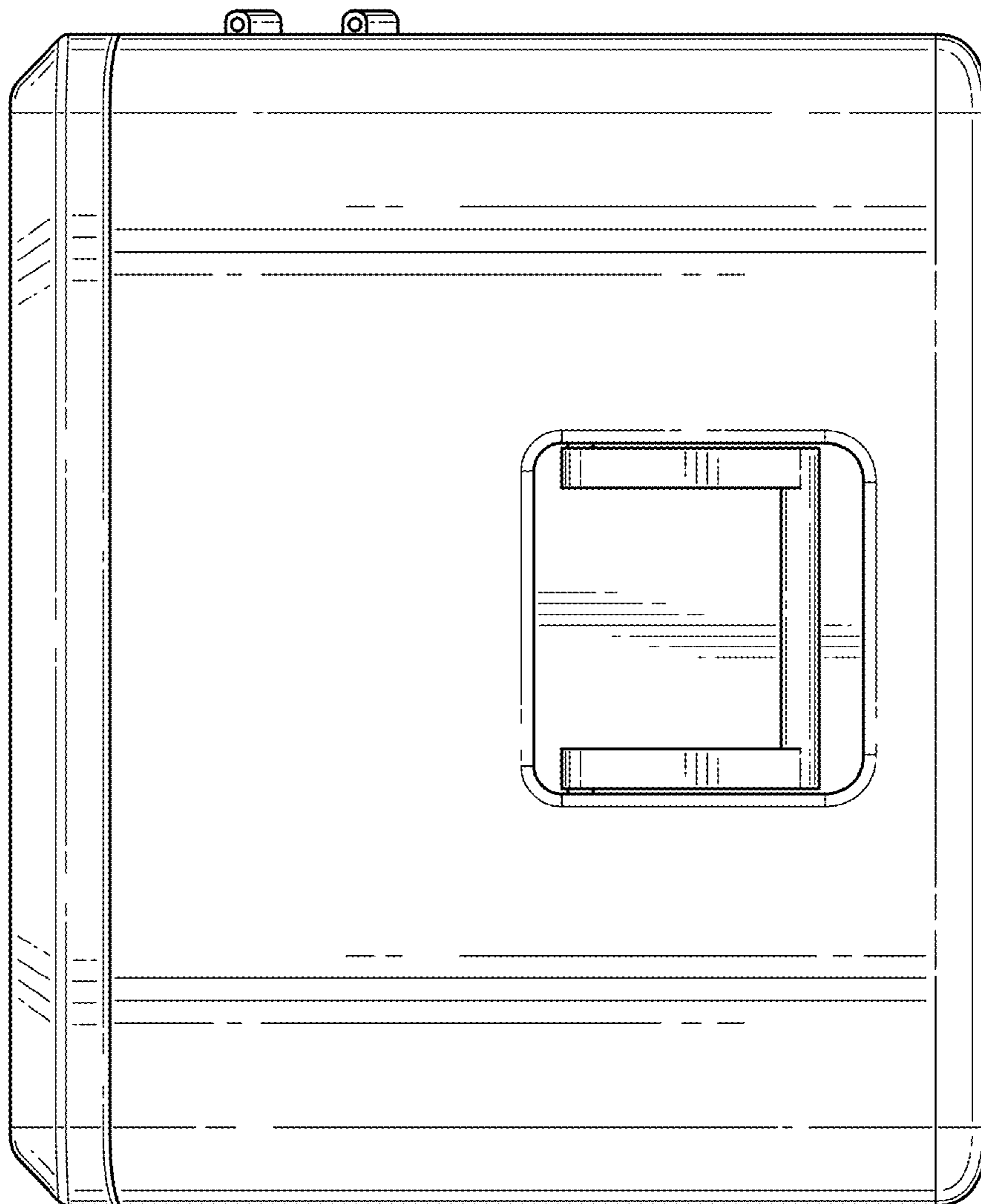


FIG. 4

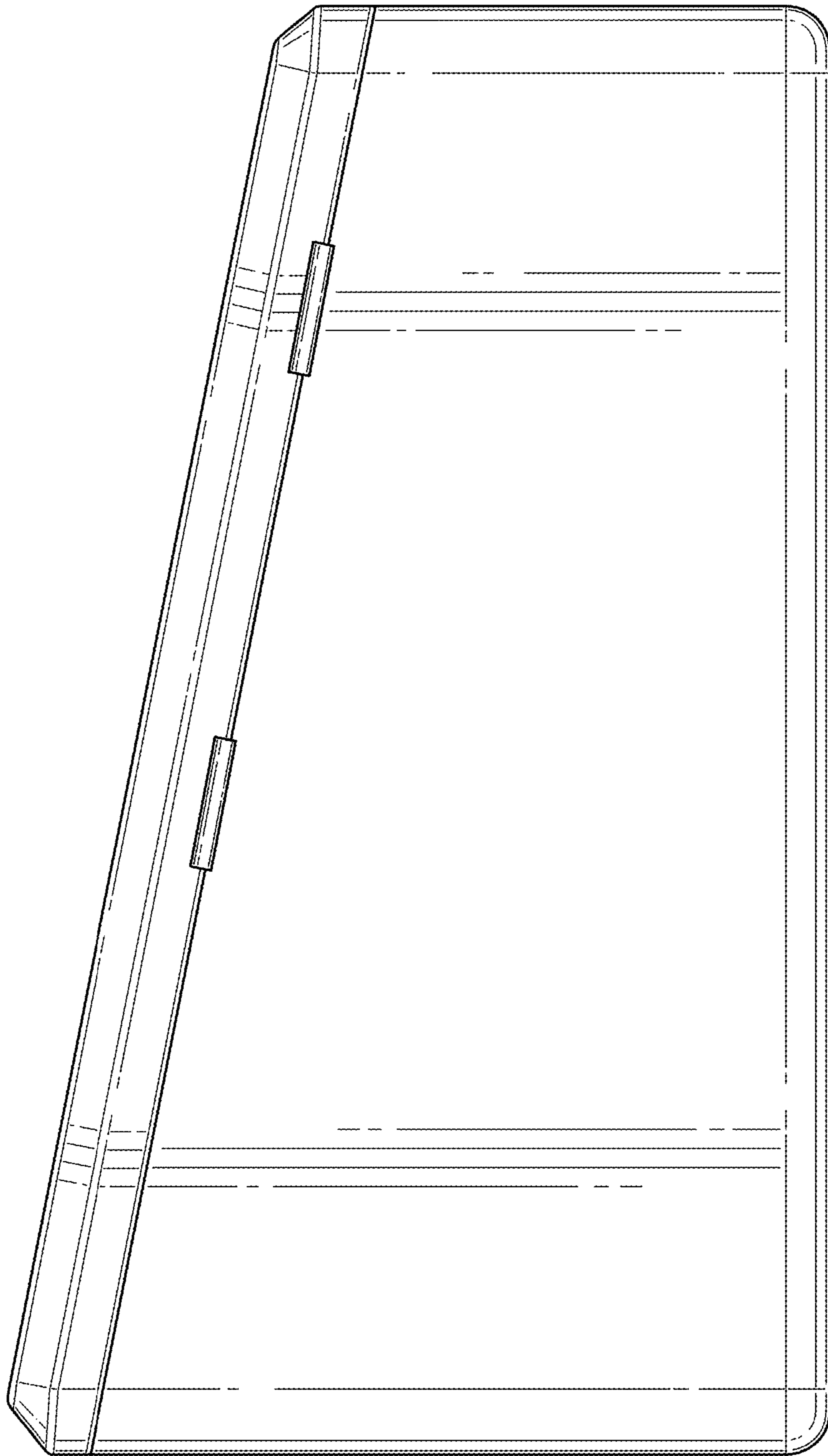


FIG. 5

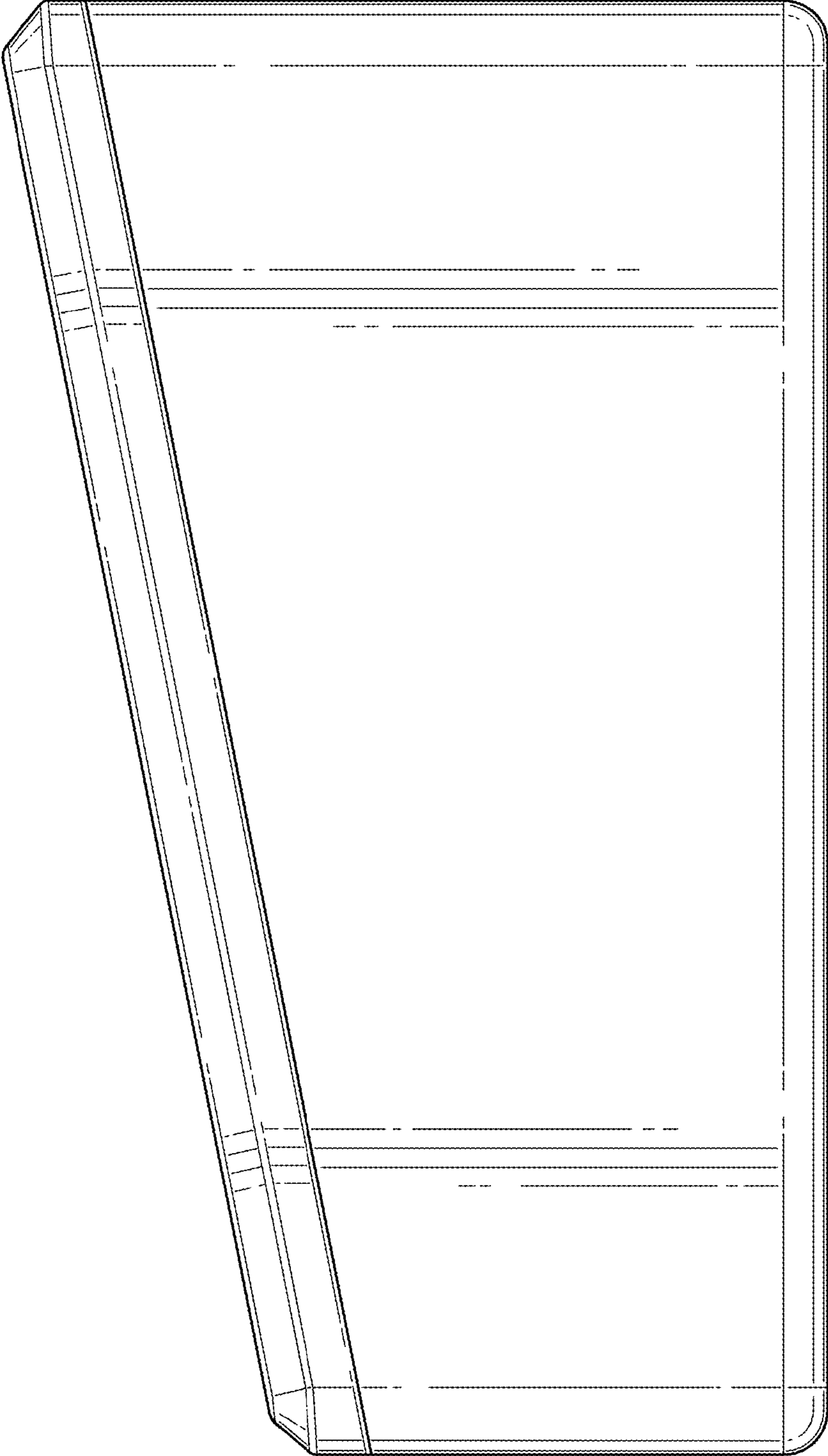


FIG. 6

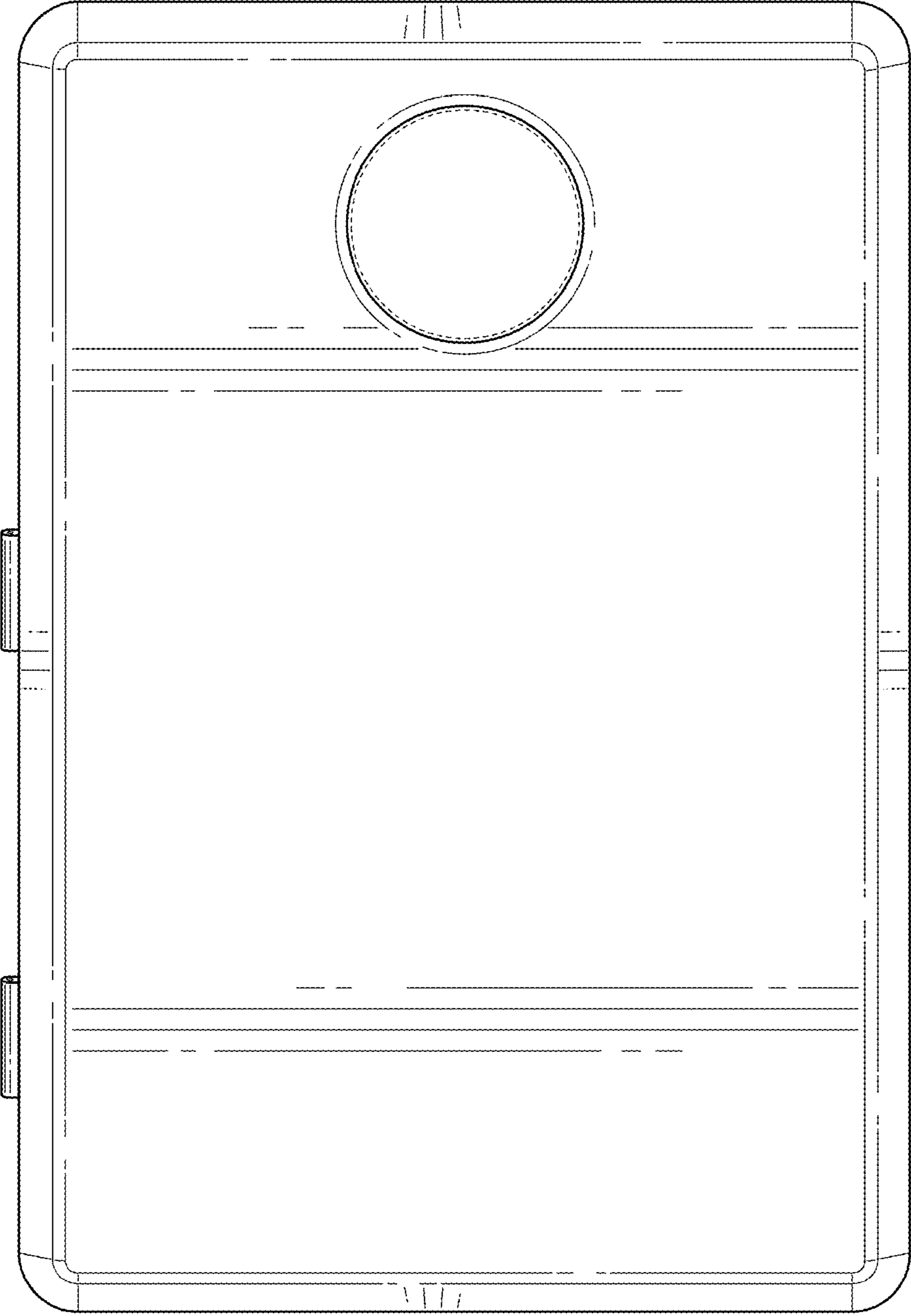


FIG. 7

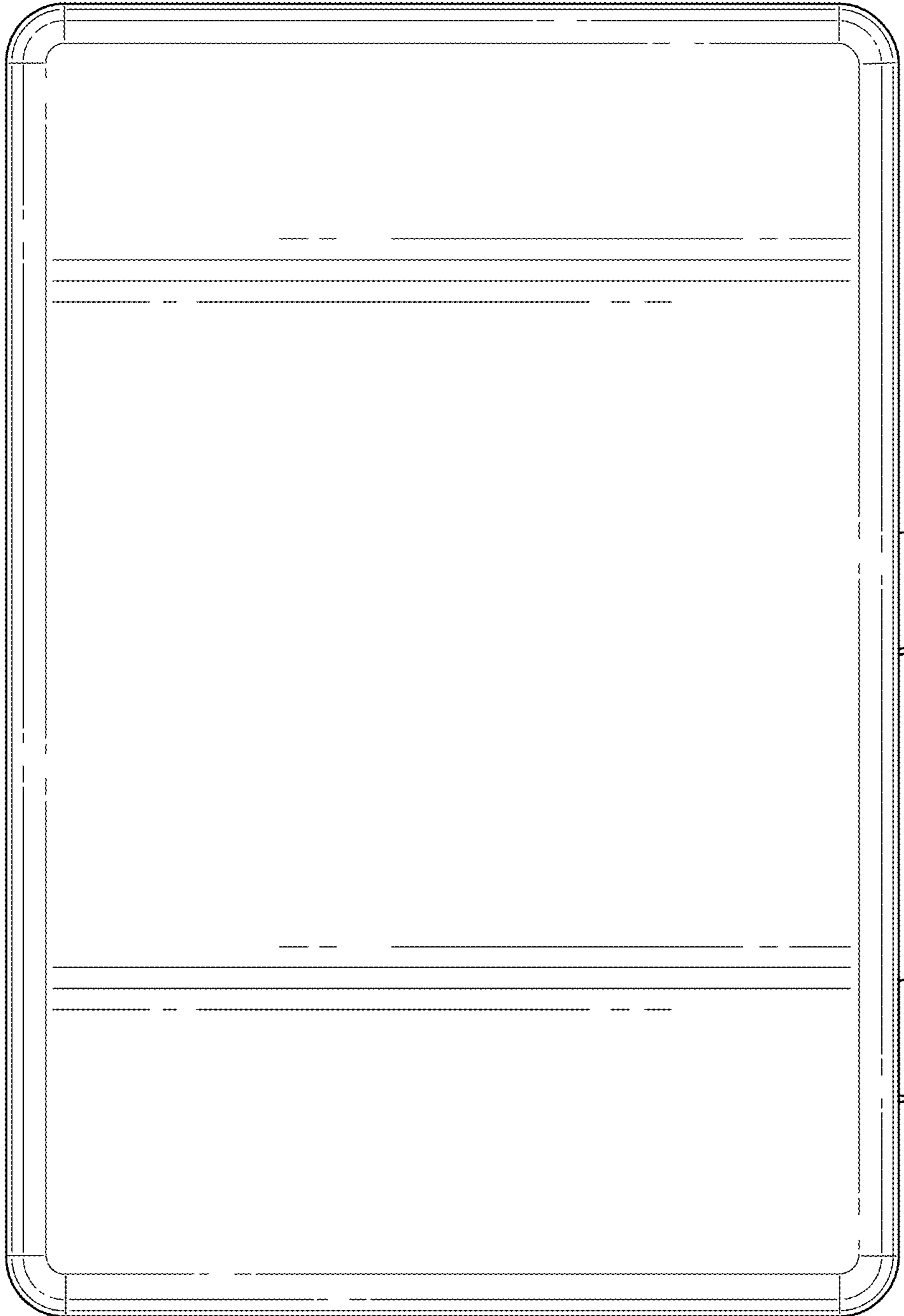


FIG. 8