



US00D769077S

(12) **United States Design Patent**  
**Lee**

(10) **Patent No.:** **US D769,077 S**  
(45) **Date of Patent:** **\*\* Oct. 18, 2016**

(54) **TUB COOLER**

(71) Applicant: **Lawrence K. Lee**, Houston, TX (US)

(72) Inventor: **Lawrence K. Lee**, Houston, TX (US)

(73) Assignee: **JBL INTERNATIONAL, INC.**,  
Houston, TX (US)

(\*\*) Term: **14 Years**

(21) Appl. No.: **29/523,923**

(22) Filed: **Apr. 15, 2015**

(51) **LOC (10) Cl.** ..... **07-01**

(52) **U.S. Cl.**  
USPC ..... **D7/605**

(58) **Field of Classification Search**

USPC ..... D7/602, 605, 606, 607, 628, 629;  
D3/217, 273, 289, 301

CPC ..... A47F 3/04; B62B 3/00; B65D 6/00;  
B65D 81/38; B65D 17/165; B65D 81/3886;  
B65D 8/14; F25D 3/00; F25D 3/06; F25D  
3/08; F25D 2331/803; F25D 2331/804;  
F25D 2331/805; F25D 2331/806; F25D  
2331/807; F25D 2331/808; F25D 2331/809

See application file for complete search history.

(56) **References Cited**

**U.S. PATENT DOCUMENTS**

D210,795 S \* 4/1968 Birger et al. .... D7/605  
D437,736 S \* 2/2001 Moffett, III ..... D7/605

7,434,410 B2 \* 10/2008 Ford ..... F25D 3/08  
62/371  
D699,080 S \* 2/2014 Lee ..... D7/605

\* cited by examiner

*Primary Examiner* — Freda S Nunn

(74) *Attorney, Agent, or Firm* — Egbert Law Offices,  
PLLC

(57) **CLAIM**

The ornamental design for a tub cooler, as shown and described.

**DESCRIPTION**

FIG. 1 is a perspective view of the tub cooler showing my new design.

FIG. 2 is a front view thereof;

FIG. 3 is a rear view thereof;

FIG. 4 is a side view thereof;

FIG. 5 is an opposite side view thereof;

FIG. 6 is a top view thereof;

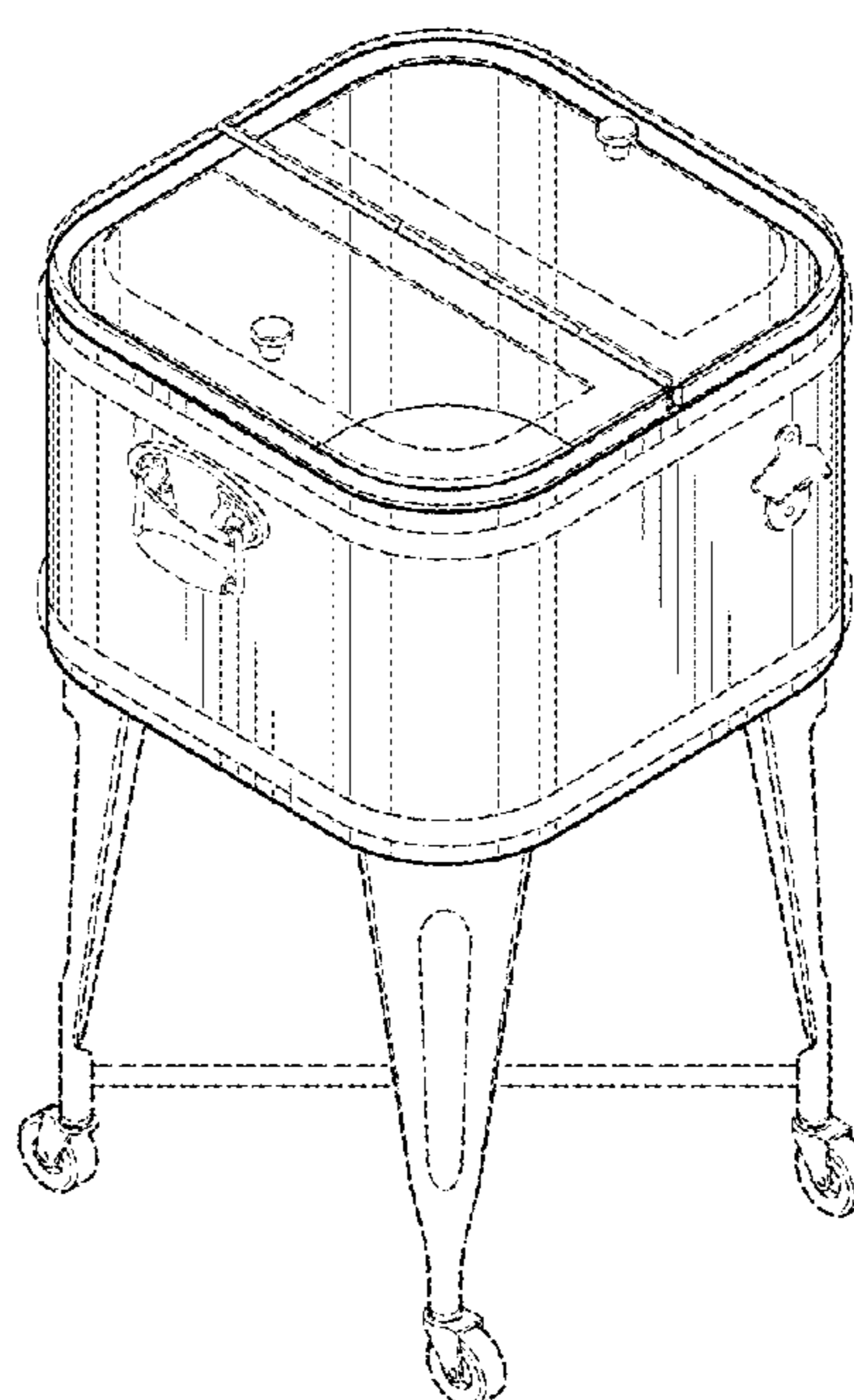
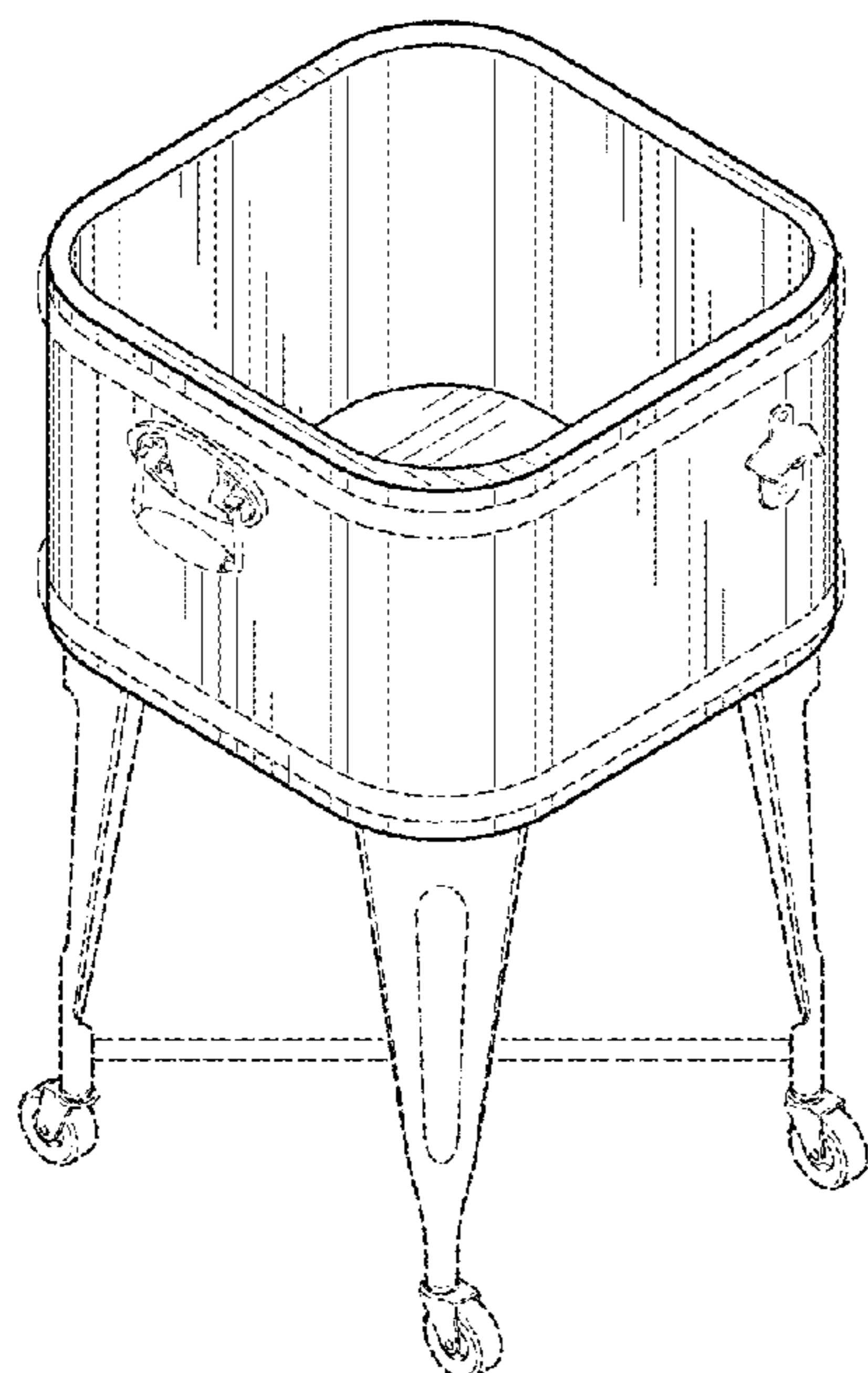
FIG. 7 is a bottom view thereof;

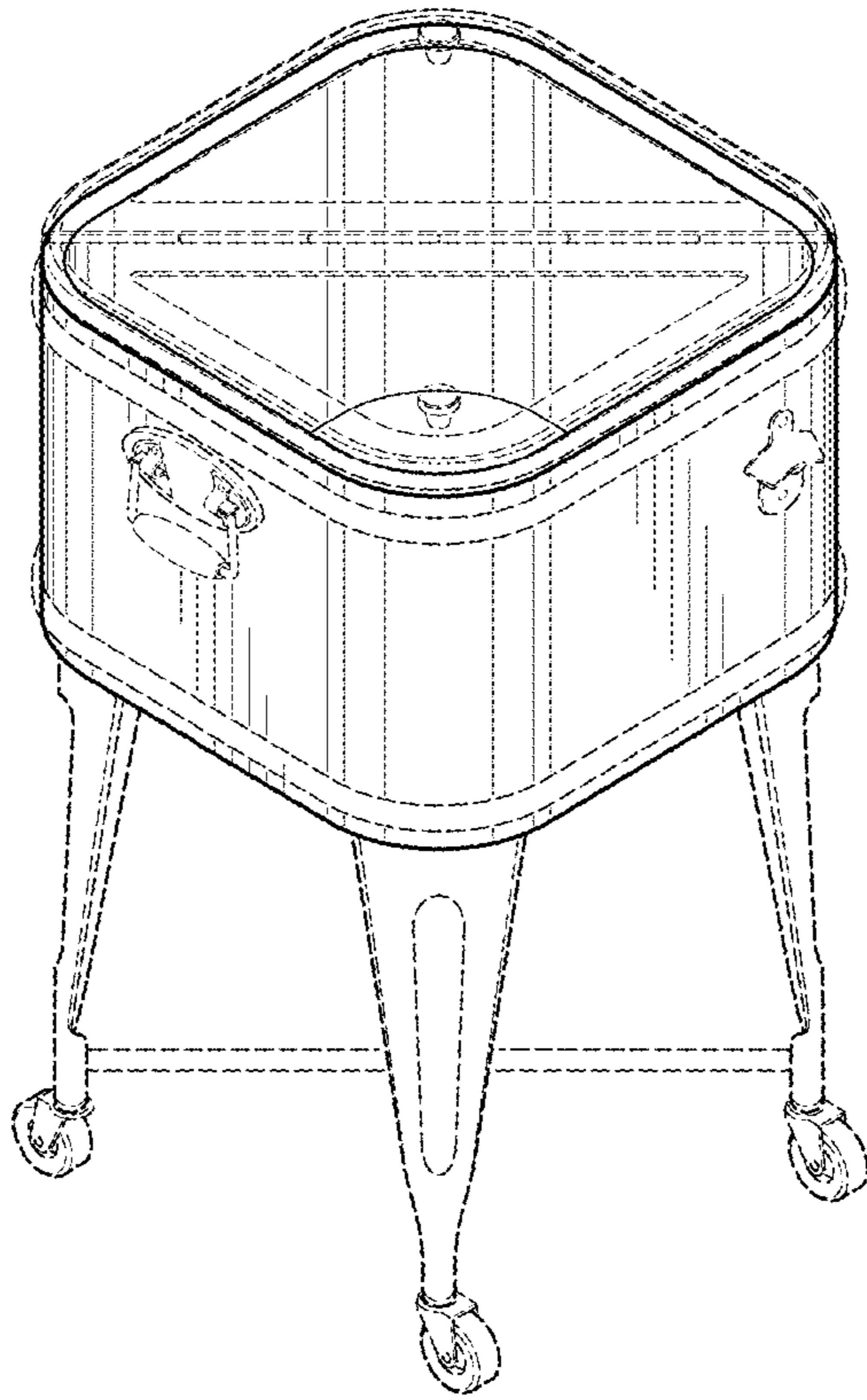
FIG. 8 is a perspective view of the tub cooler wherein the lid is removed; and,

FIG. 9 is another perspective view of the tub cooler wherein the lid is composed of rectangular panels.

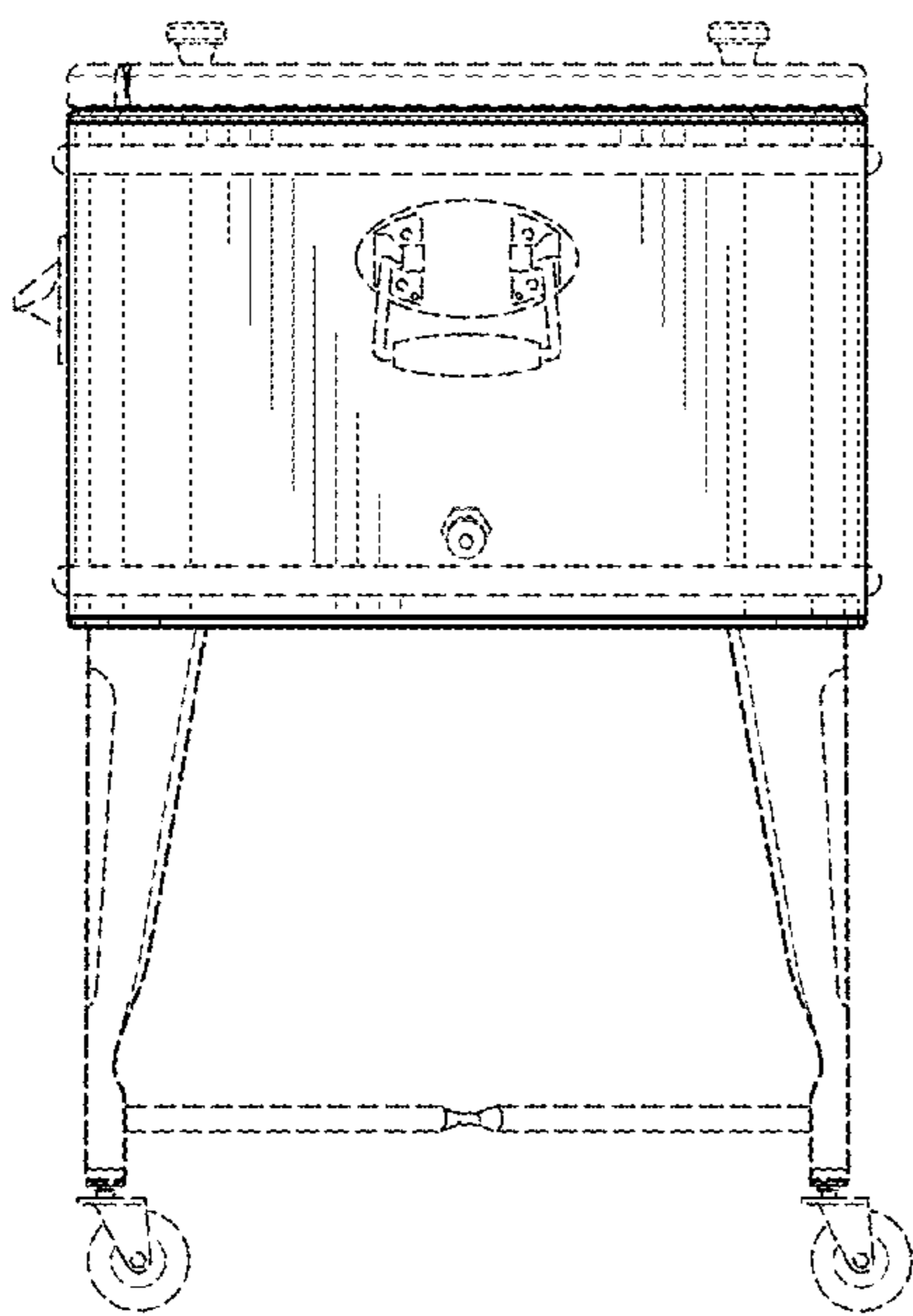
The features presented in broken lines are for environmental purposes only and form no part of the claimed design.

**1 Claim, 3 Drawing Sheets**

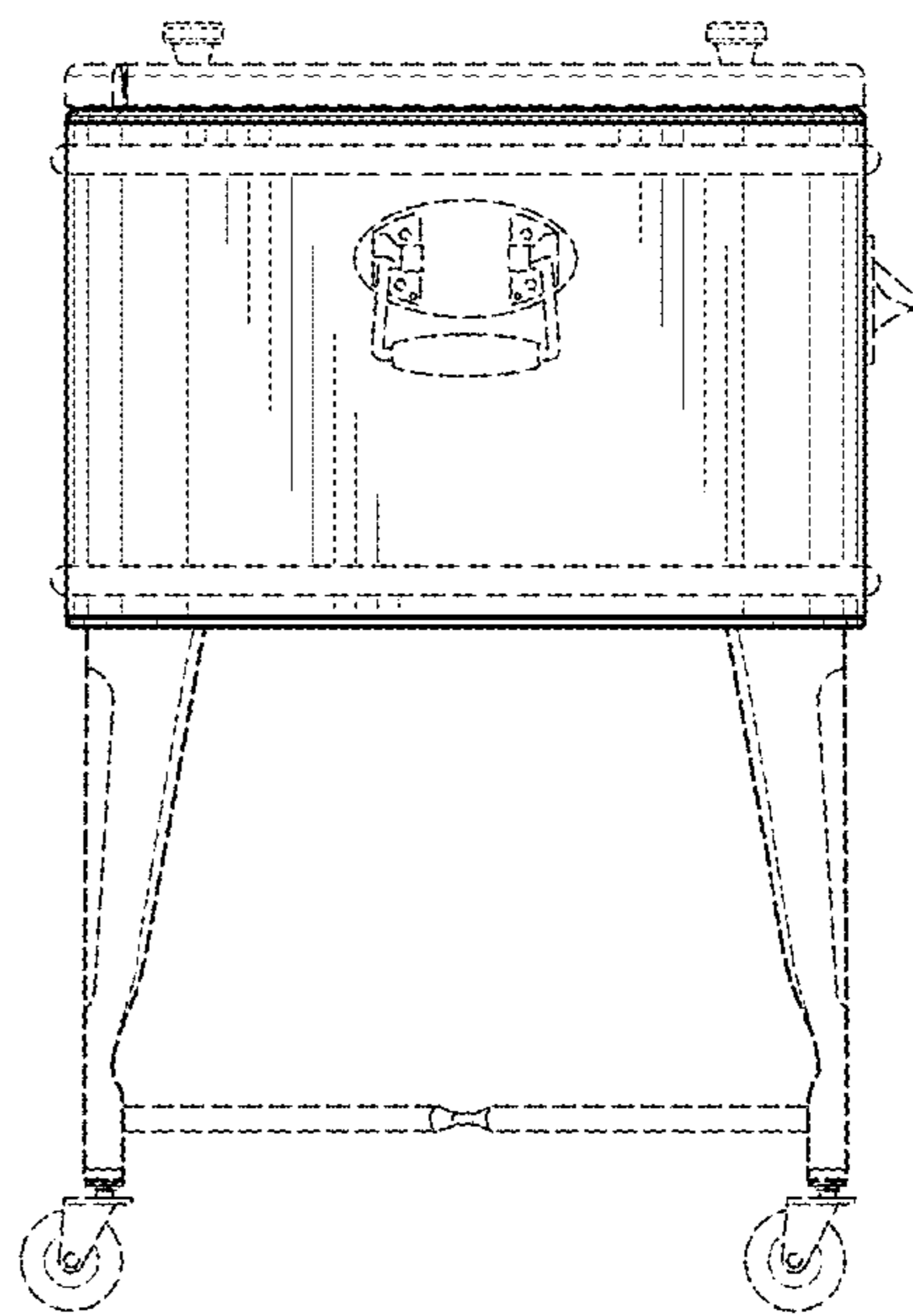




*FIG. 1*



*FIG. 2*



*FIG. 3*

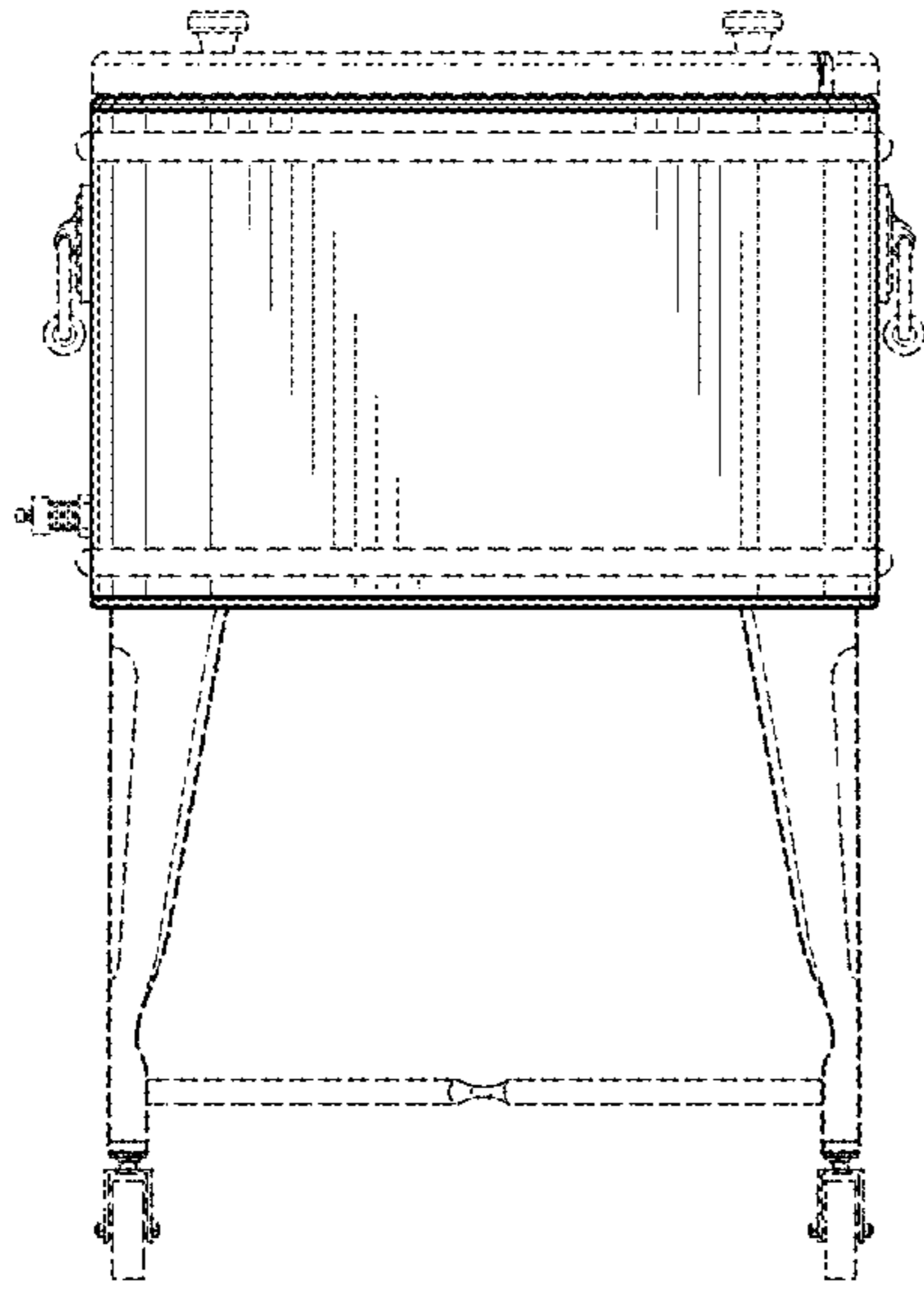


FIG. 4

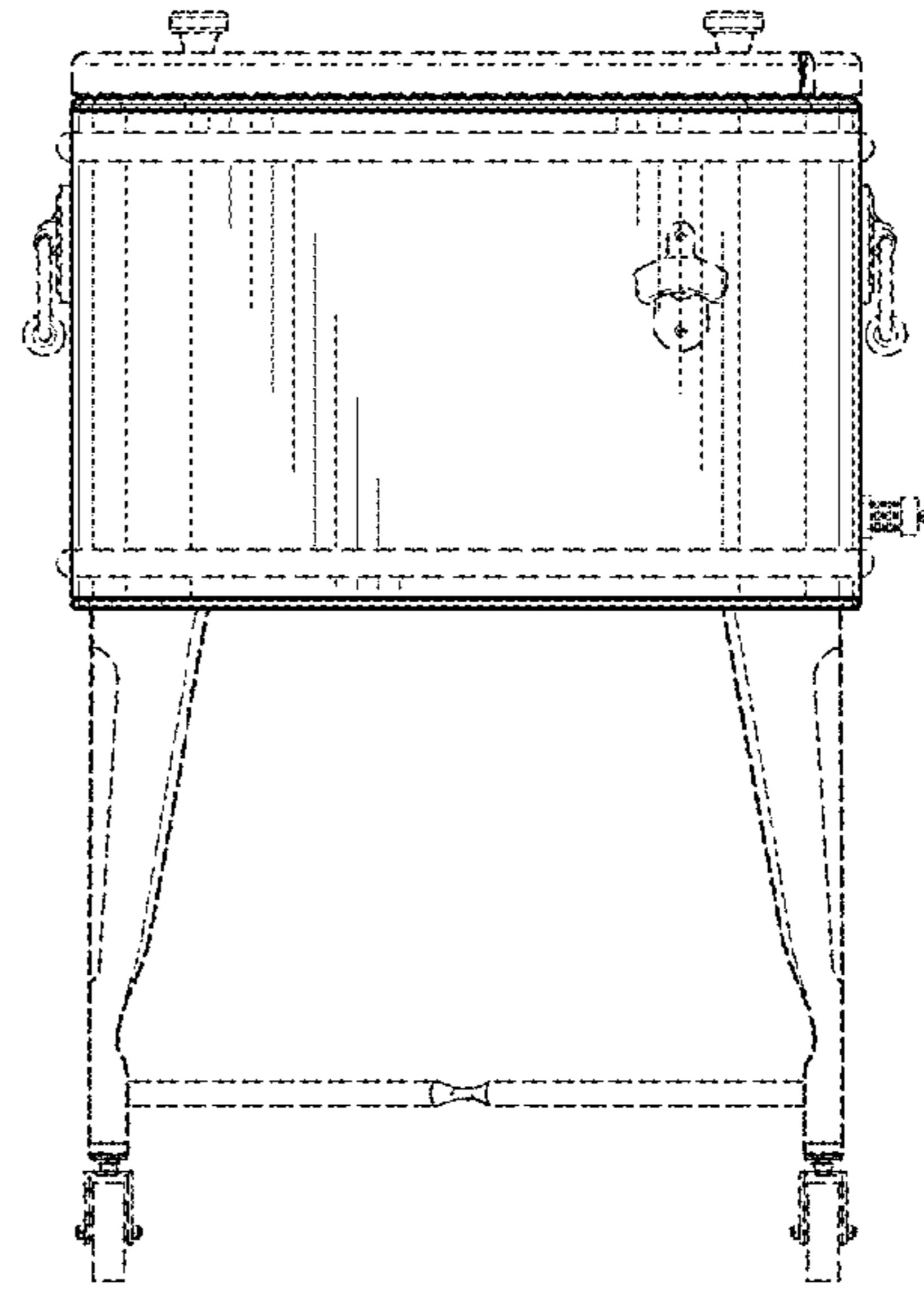


FIG. 5

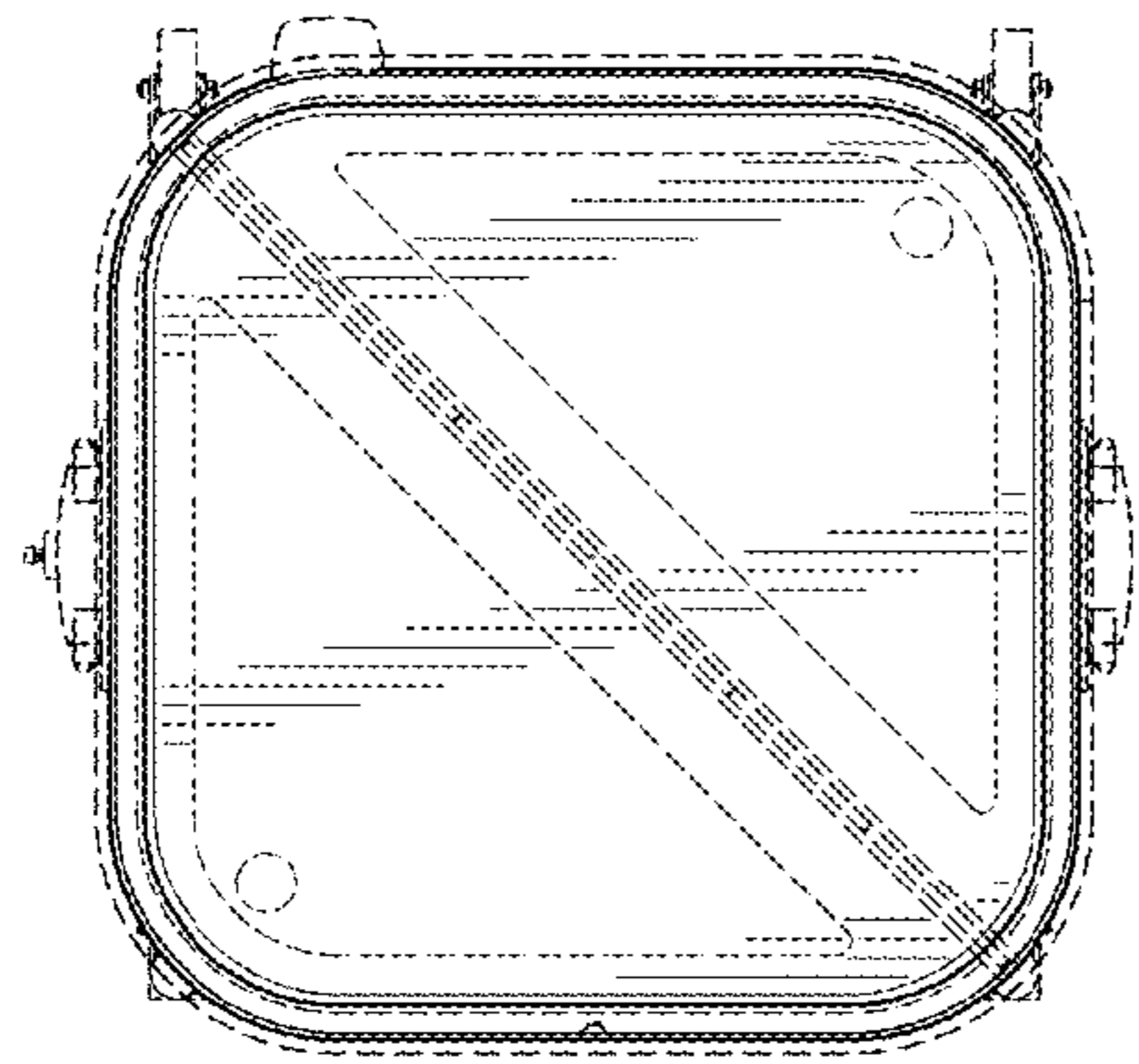


FIG. 6

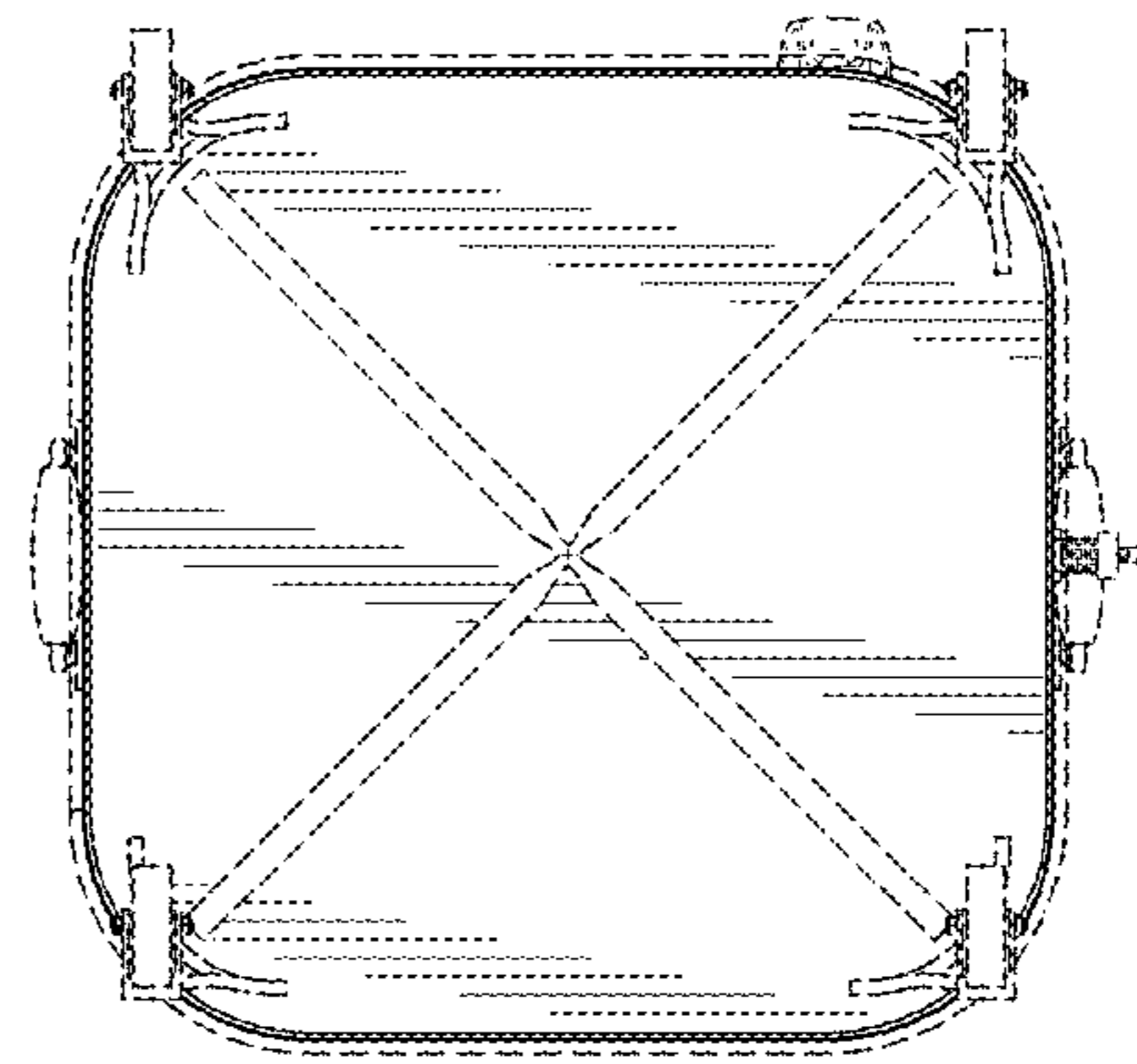
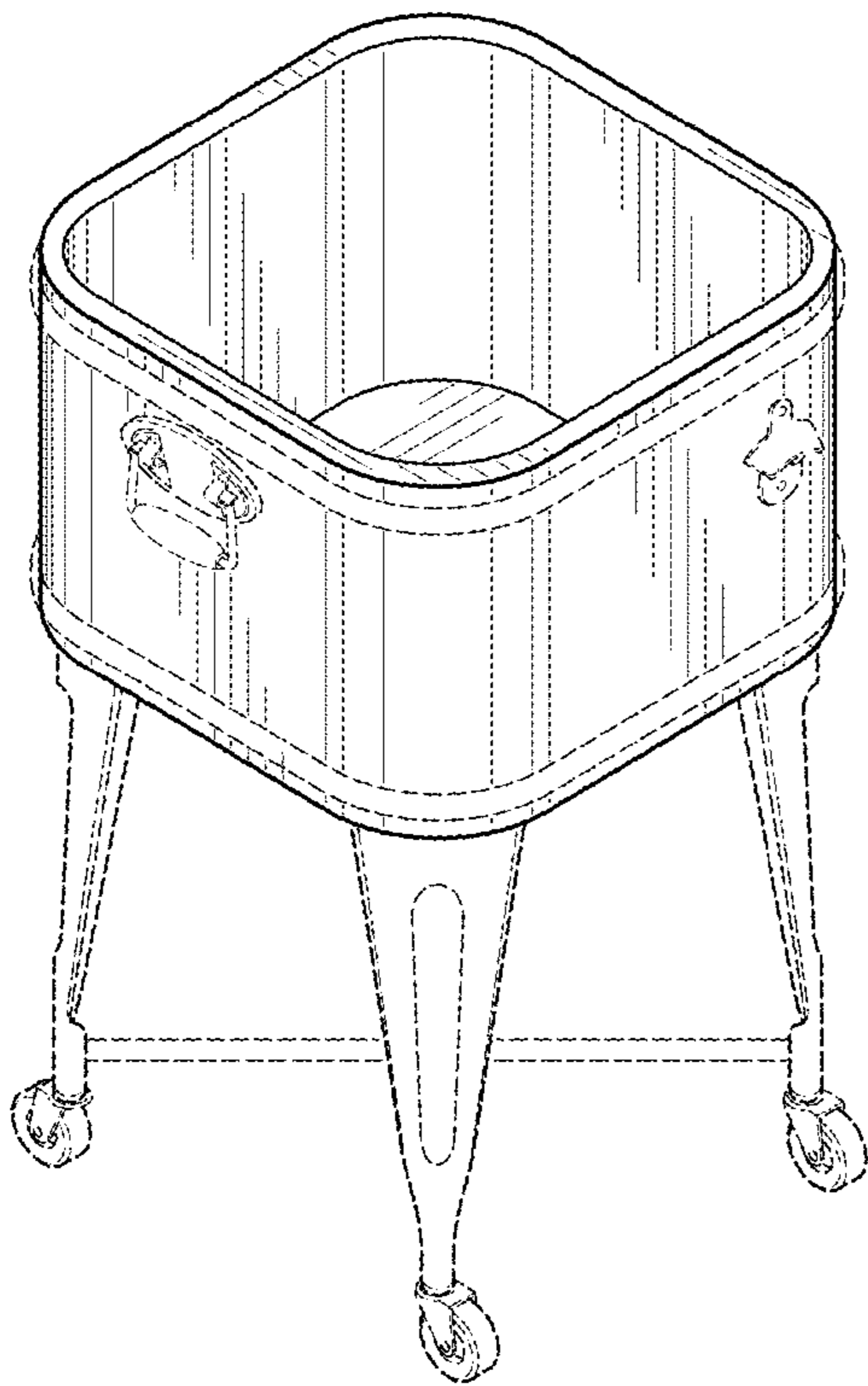
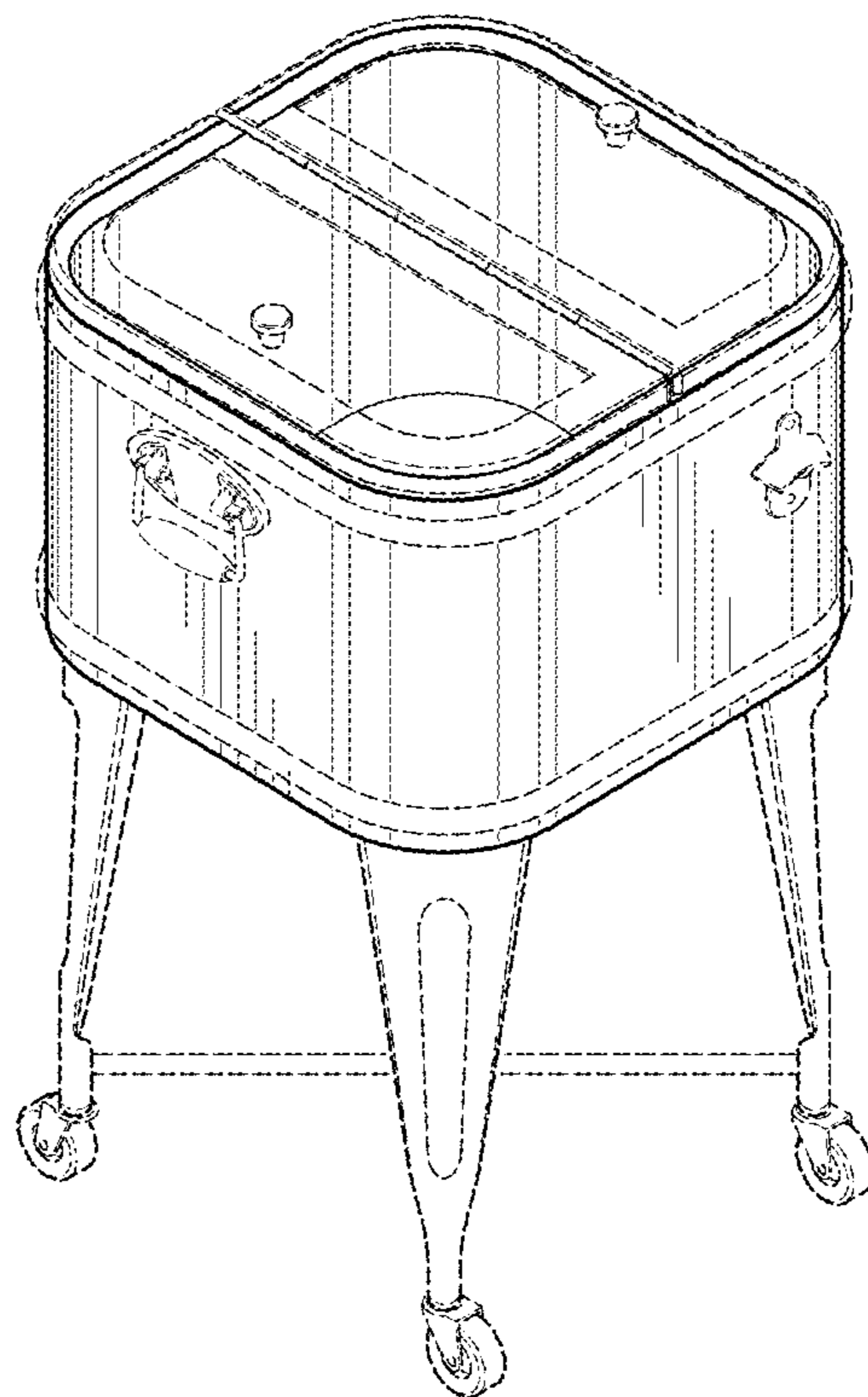


FIG. 7





**FIG. 8**



**FIG. 9**