



US00D769075S

(12) **United States Design Patent**
Lee

(10) **Patent No.:** **US D769,075 S**
(45) **Date of Patent:** **** Oct. 18, 2016**

(54) **TUB COOLER**

(71) Applicant: **Lawrence K. Lee**, Houston, TX (US)

(72) Inventor: **Lawrence K. Lee**, Houston, TX (US)

(73) Assignee: **JBL INTERNATIONAL, INC.**,
Houston, TX (US)

(**) Term: **14 Years**

(21) Appl. No.: **29/516,269**

(22) Filed: **Jan. 30, 2015**

(51) **LOC (10) Cl.** **07-01**

(52) **U.S. Cl.**

USPC **D7/605**

(58) **Field of Classification Search**

USPC D7/602, 605, 606, 607, 628, 629;
D3/217, 273, 289, 301

CPC A47F 3/04; B62B 3/00; B65D 6/00;
B65D 81/38; B65D 17/165; B65D 81/3886;

B65D 8/14; F25D 3/00; F25D 3/06; F25D
3/08; F25D 2331/803; F25D 2331/804;

F25D 2331/805; F25D 2331/806; F25D
2331/807; F25D 2331/808; F25D 2331/809

See application file for complete search history.

(56) **References Cited**

U.S. PATENT DOCUMENTS

D210,795 S * 4/1968 Birger et al. D7/605

D437,736 S * 2/2001 Moffett, III D7/605

7,434,410 B2 * 10/2008 Ford F25D 3/08

62/371

D699,080 S * 2/2014 Lee D7/605

* cited by examiner

Primary Examiner — Freda S Nunn

(74) *Attorney, Agent, or Firm* — Egbert Law Offices,
PLLC

(57) **CLAIM**

The ornamental design for a tub cooler, as shown and described.

DESCRIPTION

FIG. 1 is a perspective view of the tub cooler showing my new design.

FIG. 2 is a front view thereof;

FIG. 3 is a rear view thereof;

FIG. 4 is a side view thereof;

FIG. 5 is an opposite side view thereof;

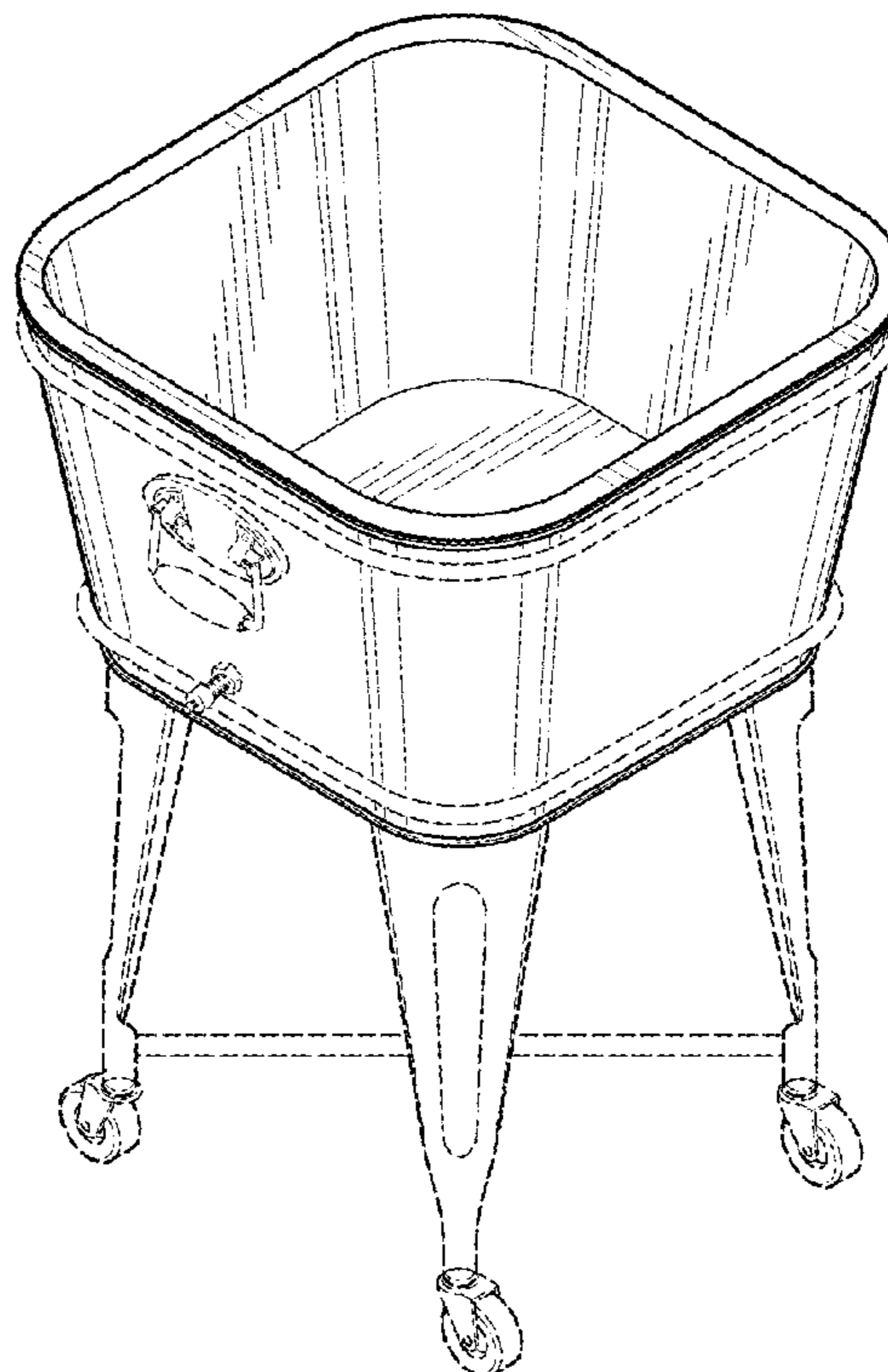
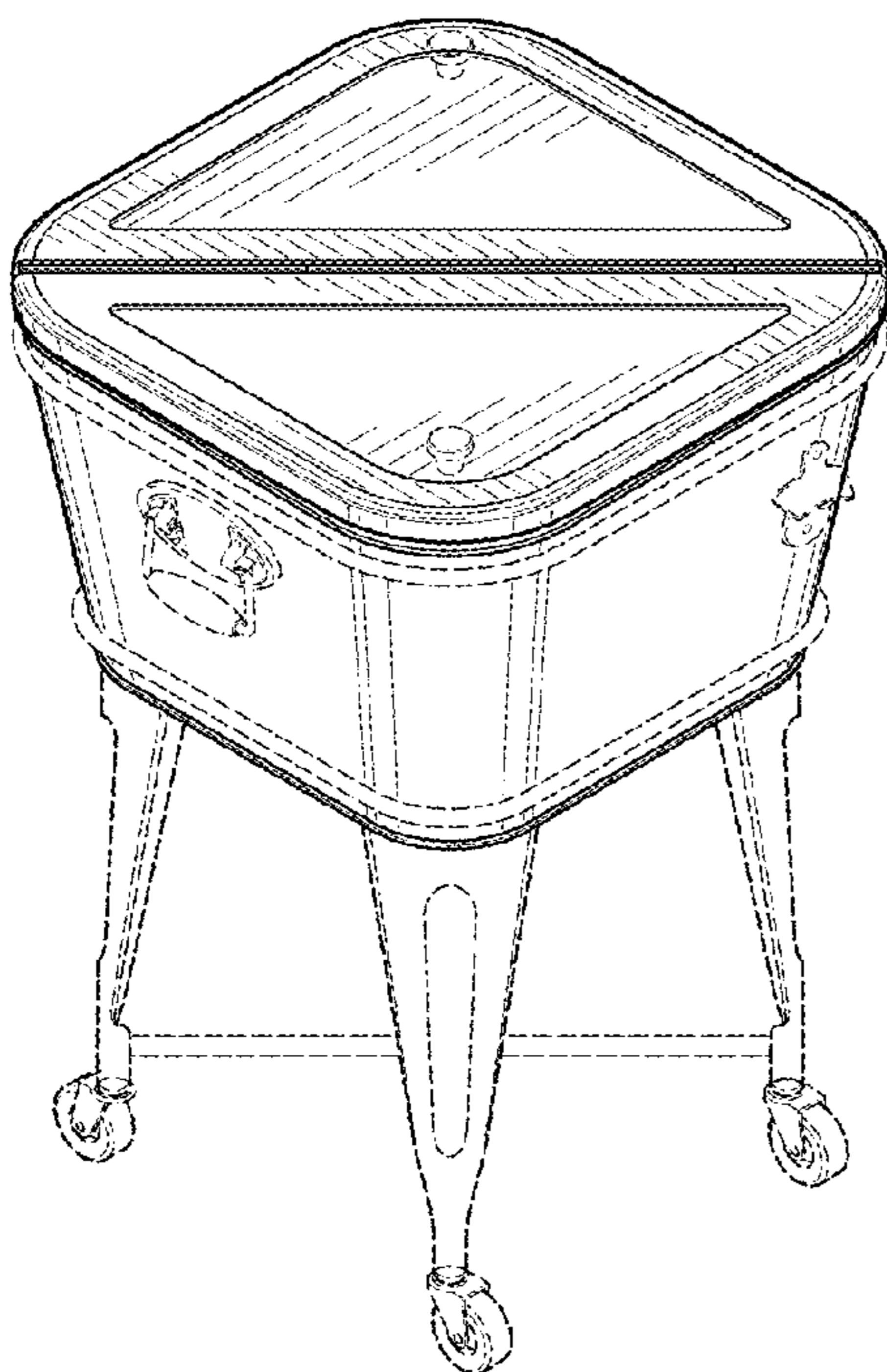
FIG. 6 is a top view thereof;

FIG. 7 is a bottom view thereof; and,

FIG. 8 is a perspective view of the tub cooler wherein the lid is removed.

The features presented in broken lines are for environmental purposes only and form no part of the claimed design.

1 Claim, 3 Drawing Sheets



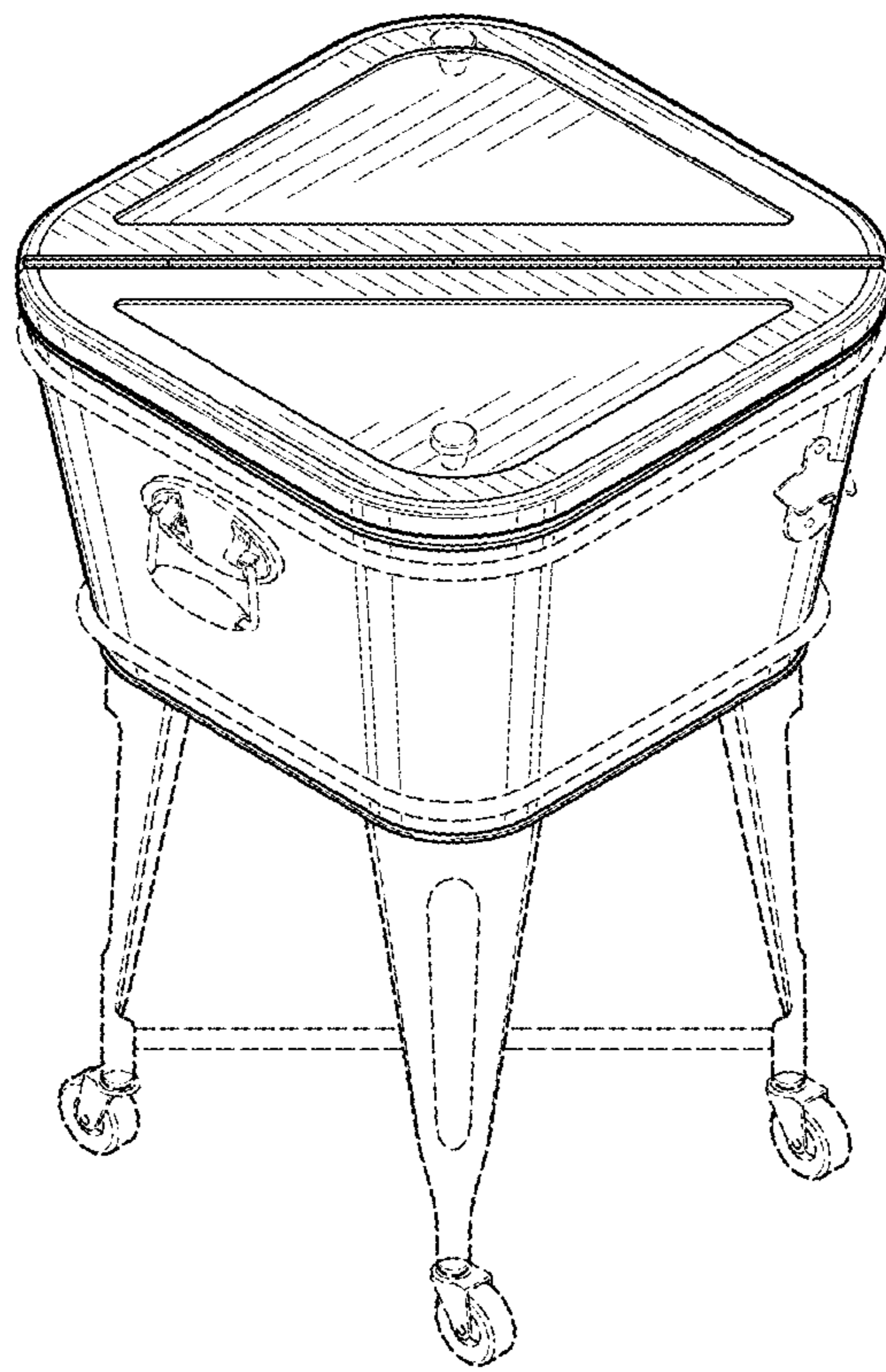


FIG. 1

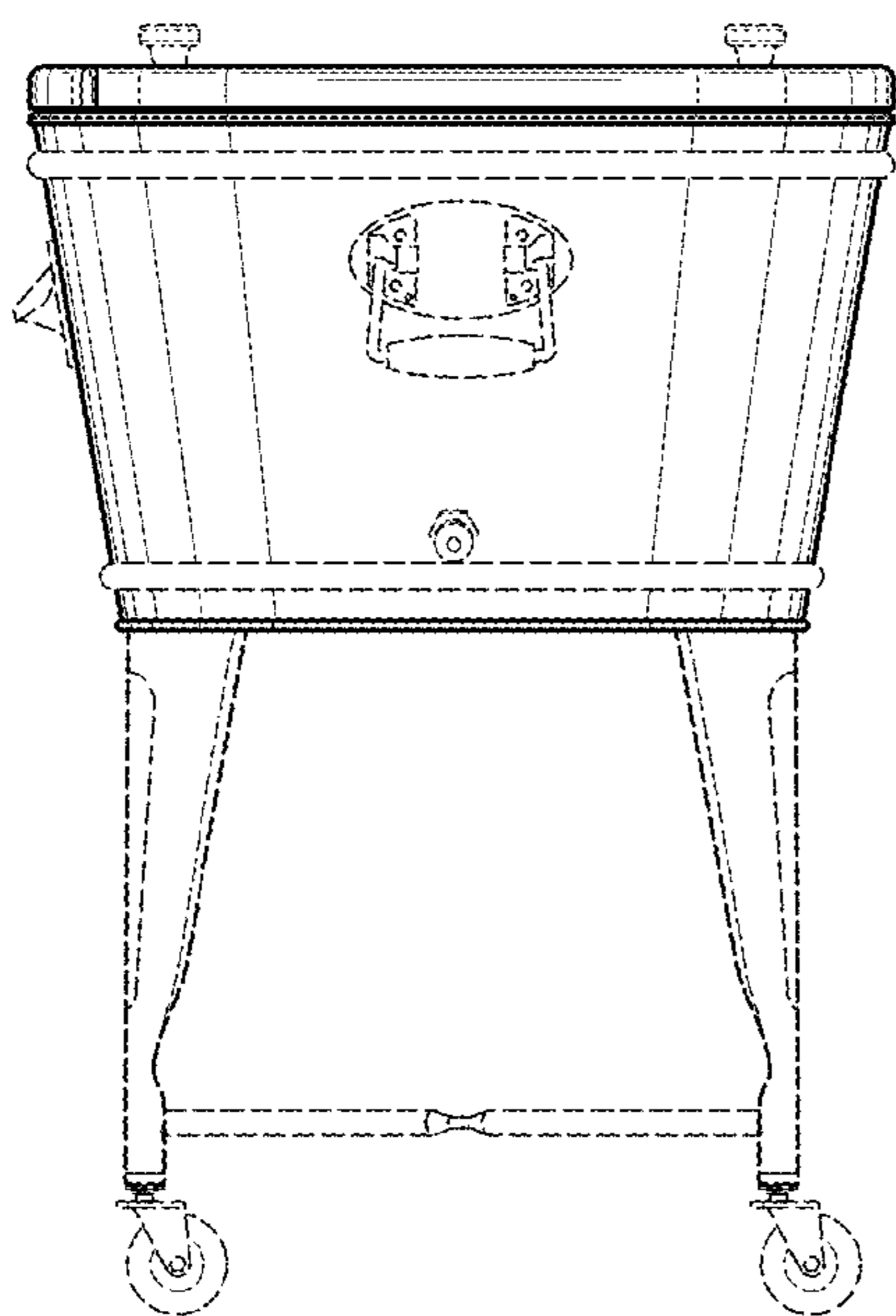


FIG. 2

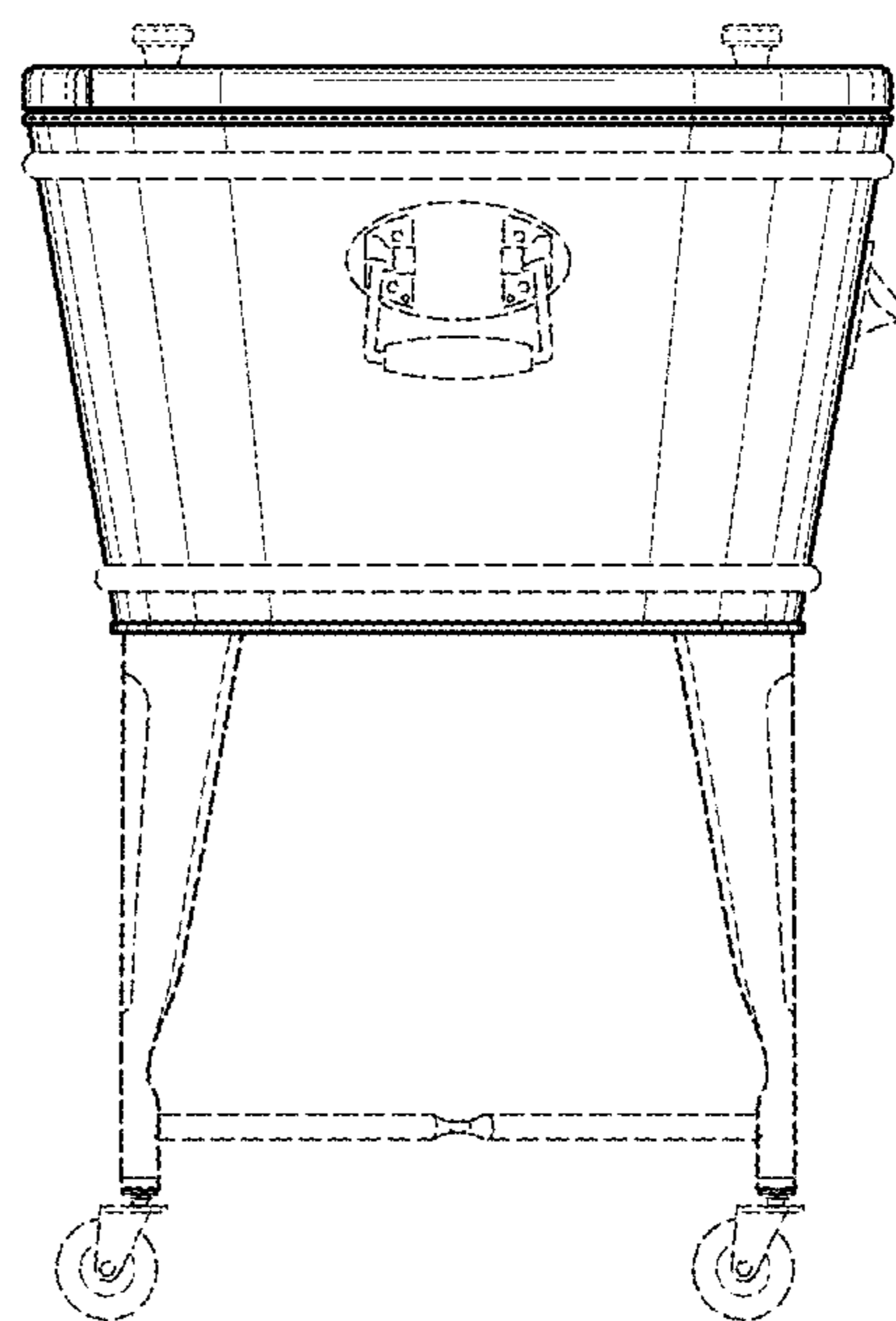


FIG. 3

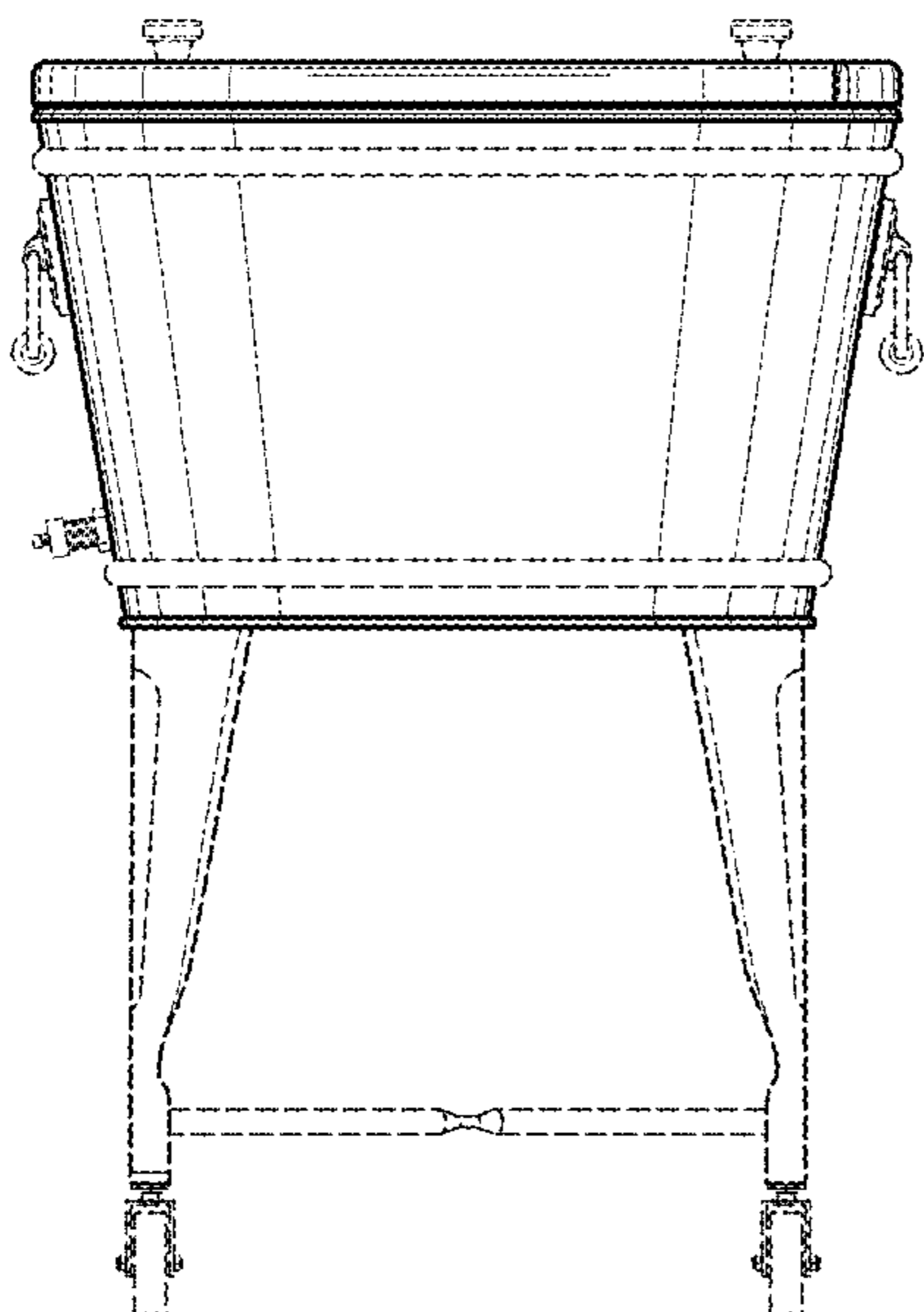


FIG. 4

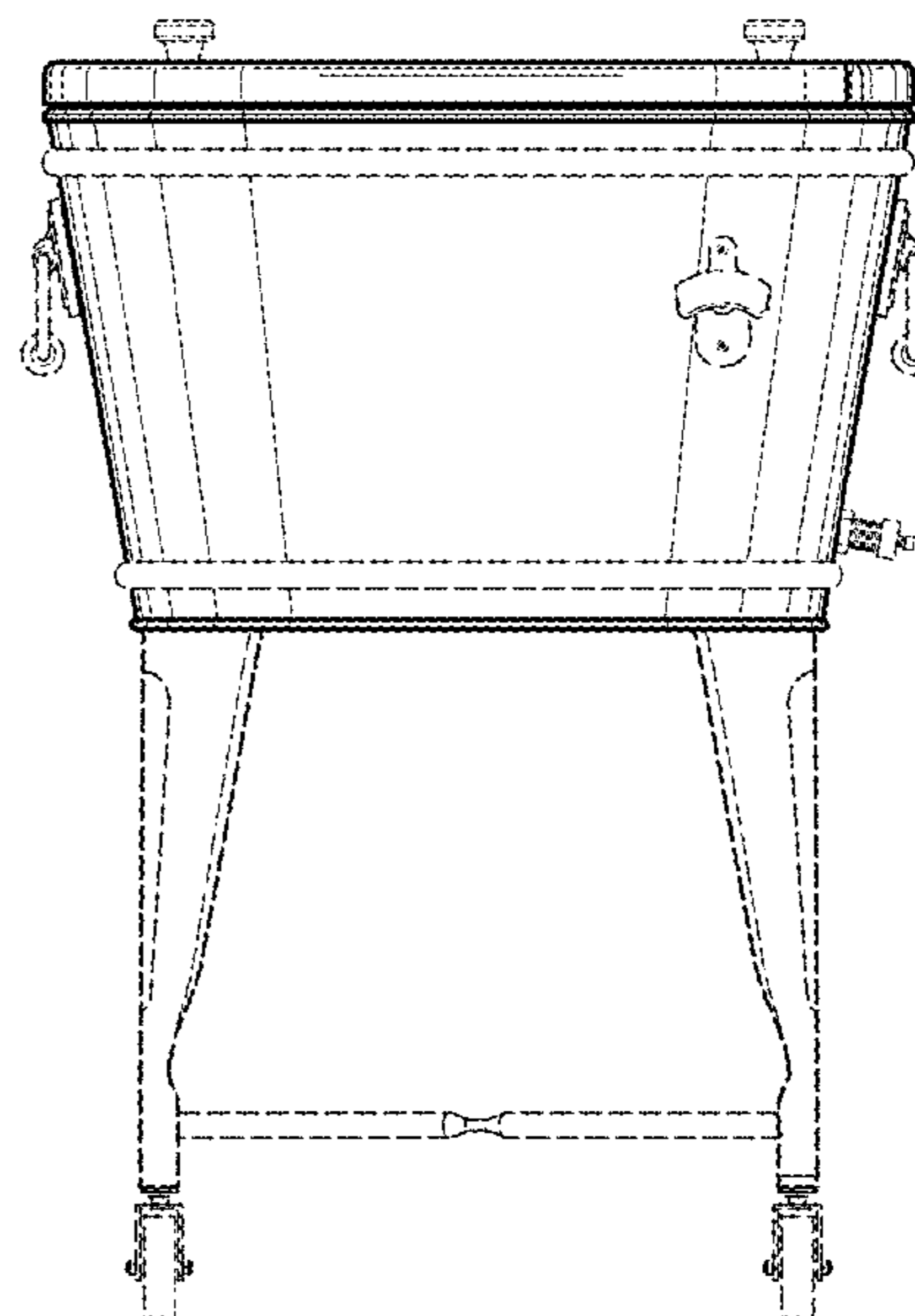


FIG. 5

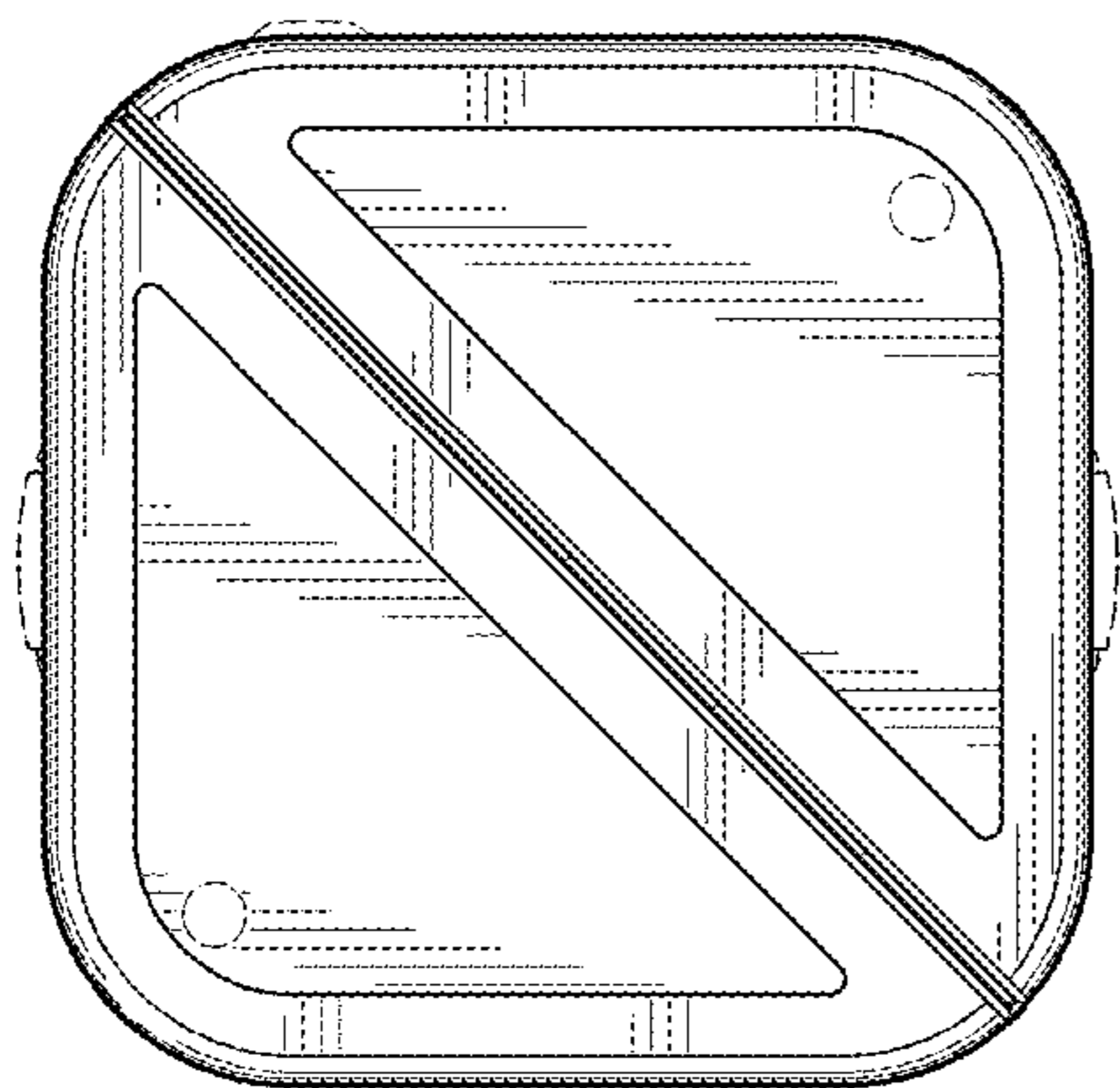


FIG. 6

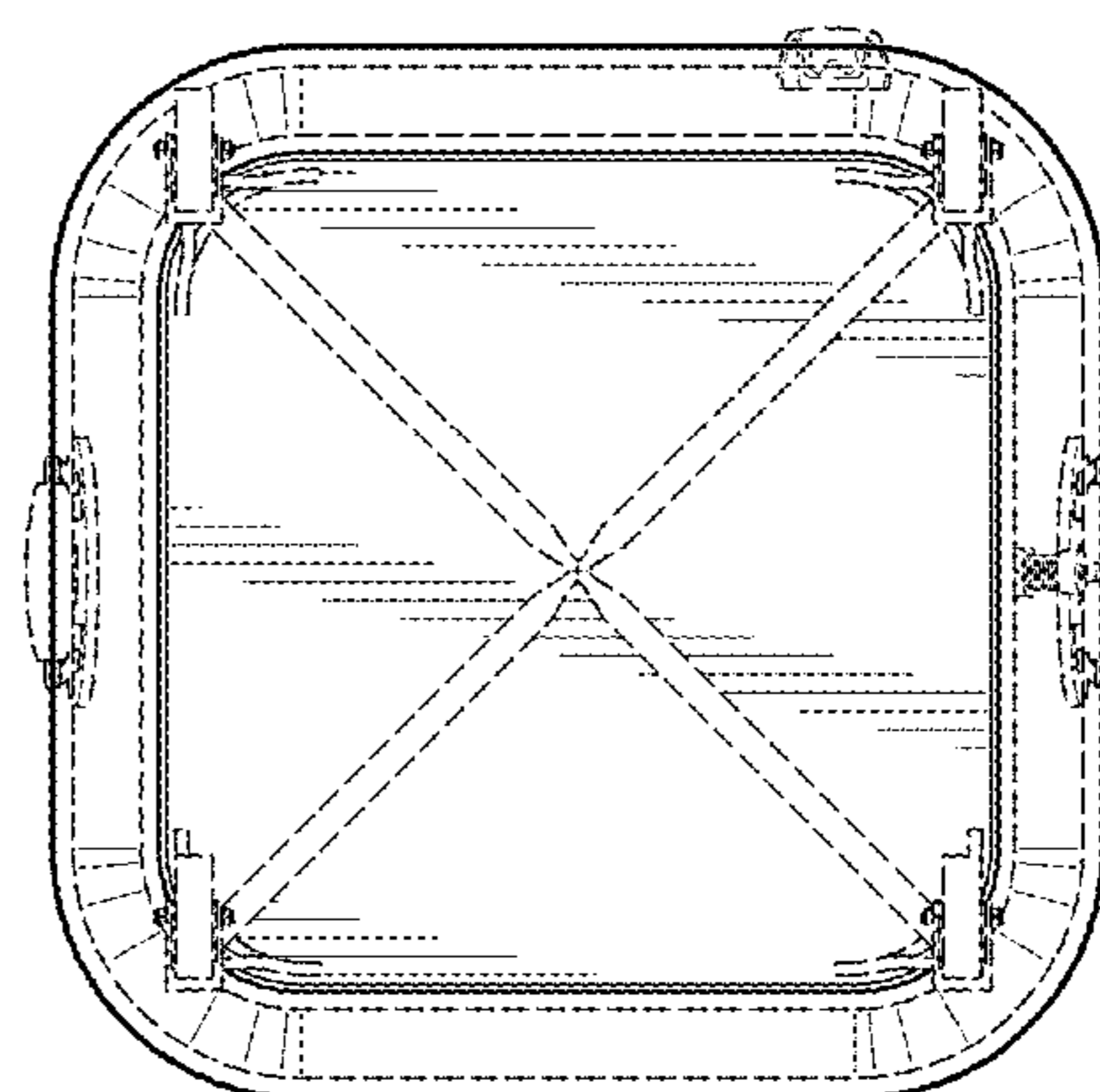


FIG. 7

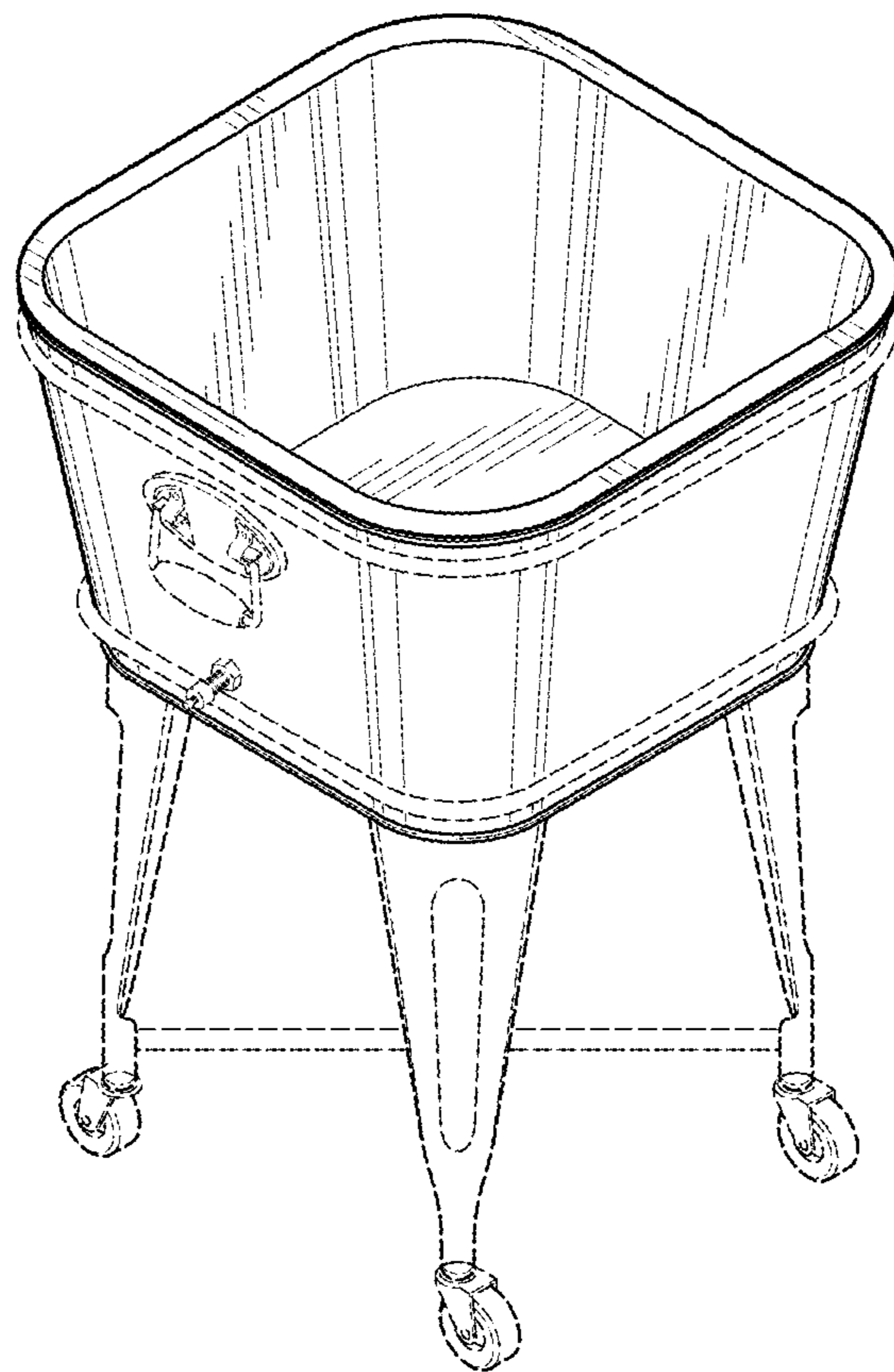


FIG. 8