



US00D769074S

(12) **United States Design Patent**  
**Tsai**

(10) **Patent No.:** **US D769,074 S**  
(45) **Date of Patent:** **\*\* Oct. 18, 2016**

- (54) **TRIPLE TIER RACK**
- (71) Applicant: **Pretty Star Store LLC**, Rowland Heights, CA (US)
- (72) Inventor: **Tsung-Yu Tsai**, Changhua (TW)
- (73) Assignee: **PRETTY STAR STORE LLC**, Rowland Heights, CA (US)
- (\*\*) Term: **14 Years**
- (21) Appl. No.: **29/518,040**
- (22) Filed: **Feb. 19, 2015**
- (51) **LOC (10) Cl.** ..... **07-06**
- (52) **U.S. Cl.**  
USPC ..... **D7/600.4**; D6/525; D6/566; D28/61
- (58) **Field of Classification Search**  
USPC ..... D7/601, 600.1–600.4, 571–572, D7/576–577, 582–583, 602, 628, 631, 634, D7/637, 409, 504, 323, 590, 701–708; D6/315, 317, 319, 329, 673, 675, D6/675.2, 675.3, 675.5, 566, 567, D6/569–572, 574, 672, 682, 682.2, 682.4, D6/683–683.1, 677, 677.1, 677.2, 677.3, D6/677.5, 680, 680.1, 680.2, 680.3, 681, D6/681.1, 525; D19/90–92, 75, 78; D28/61, 73  
CPC .. A47B 73/002; A47B 73/00; A47B 73/004; A47B 73/006; A47B 55/02; A47B 43/00; A47B 43/003; A47B 43/04; A47B 46/00; A47B 46/005; A47B 47/00; A47B 47/0008; A47B 47/0025; A47B 47/0058; A47B 47/0075; A47B 47/0083; A47B 47/02; A47B 47/021; A47B 47/03; A47B 47/04; A47B 55/00; A47B 57/00; A47B 67/00; A47B 67/02; A47B 71/00; A47B 75/00; A47B 77/00; A47B 77/02; A47B 77/16; A47B 2210/17; A47B 88/0411; B65D 21/0211; A47F 5/00; A47F 5/0018; A47F 5/0043; A47F 5/005; A47F 5/0056; A47F 5/0062; A47F 5/0081; A47F 5/01; A47F

7/00; A47F 7/0007; A47F 7/0042; A47F 7/0057; A47F 7/0064; A47F 7/0071; A47F 5/0807; A47F 5/0876; A47F 5/0006; A47F 5/0012; A47F 5/04; A47F 5/05; A47F 5/06; A47F 1/00; A47F 1/04; A47F 3/00; F16M 11/38

See application file for complete search history.

(56) **References Cited**

U.S. PATENT DOCUMENTS

694,793 A *	3/1902	Schiele .....	A47F 5/01 211/106
D116,193 S *	8/1939	Planeta .....	D7/704
D122,462 S *	9/1940	Griffin .....	D6/675.2
D158,115 S *	4/1950	Mell .....	D6/570
D171,696 S *	3/1954	Hall .....	211/128.1
2,903,137 A *	9/1959	Brown .....	A47B 55/02 211/104

(Continued)

*Primary Examiner* — Ian Simmons  
*Assistant Examiner* — Shannon Morgan  
(74) *Attorney, Agent, or Firm* — Muncy, Geissler, Olds & Lowe, P.C.

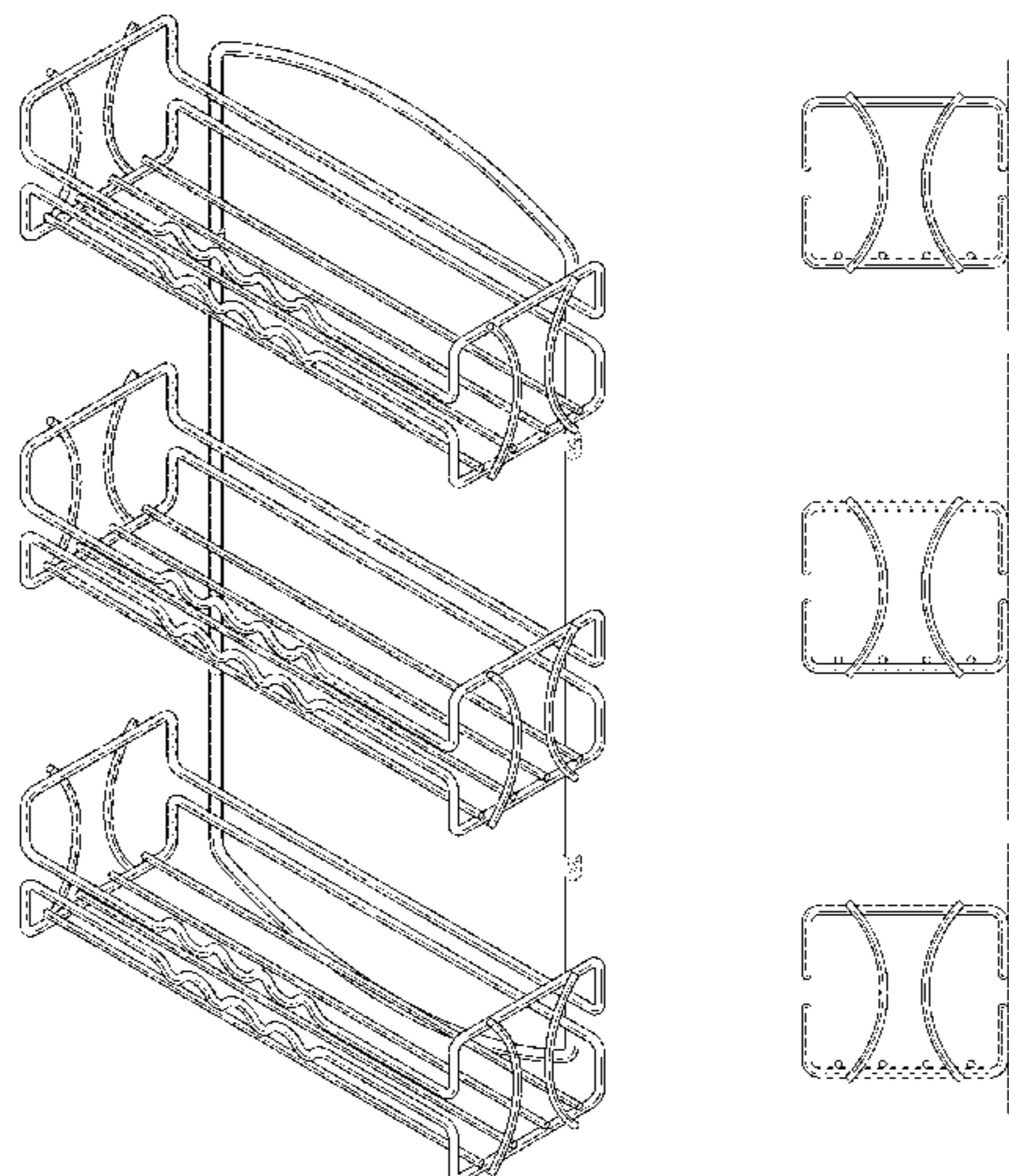
(57) **CLAIM**

The ornamental design for a triple tier rack, as shown and described.

**DESCRIPTION**

FIG. 1 is a perspective view of a triple tier rack showing my new design;  
FIG. 2 is a front elevational view thereof;  
FIG. 3 is a rear elevational view thereof;  
FIG. 4 is a left side elevational view thereof;  
FIG. 5 is a right side elevational view thereof;  
FIG. 6 is a top plan view thereof; and,  
FIG. 7 is a bottom plan view thereof.  
The broken lines shown in the figures represent portions of the triple tier rack that form no part of the claimed design.

**1 Claim, 5 Drawing Sheets**





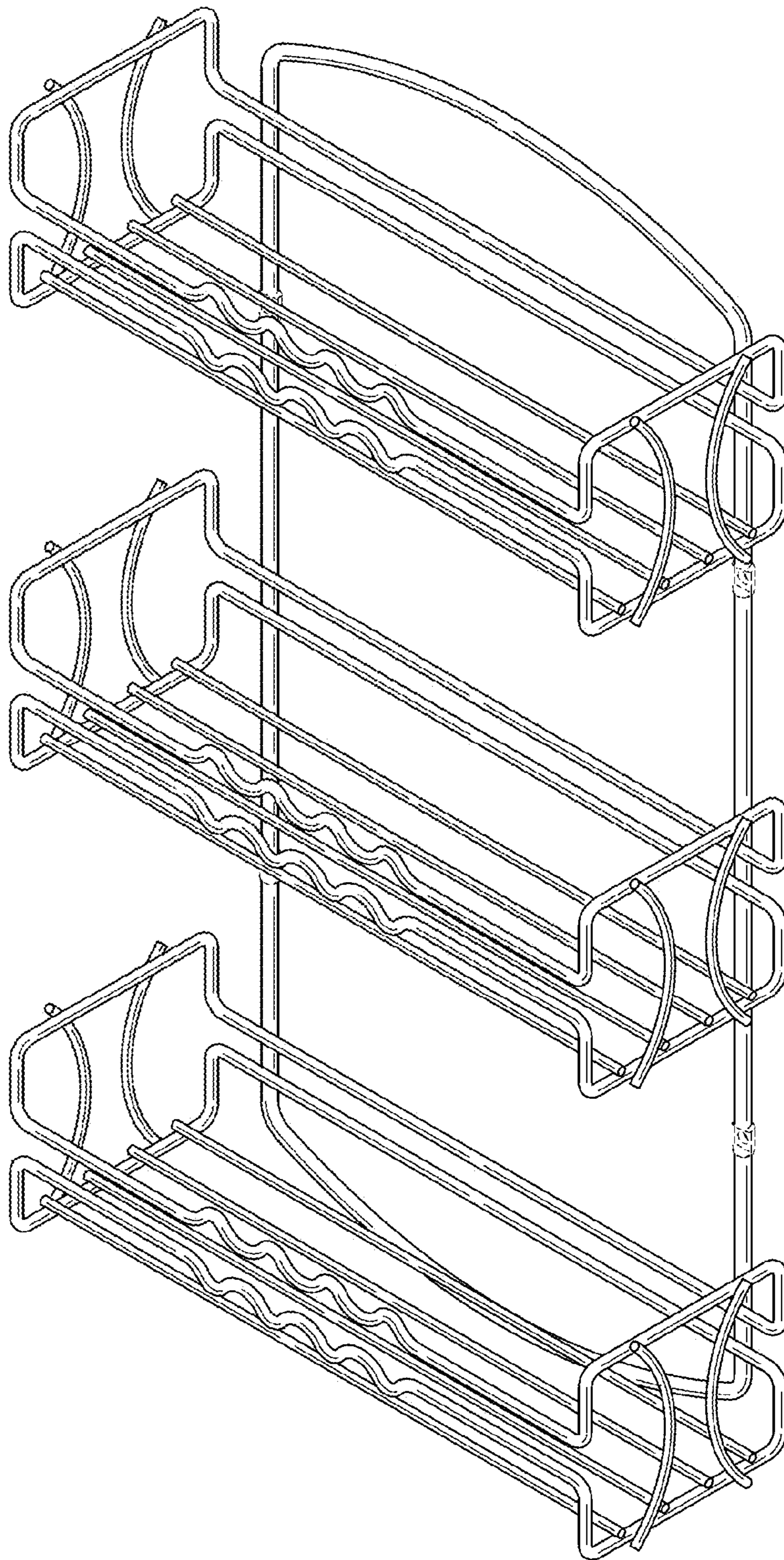


FIG. 1

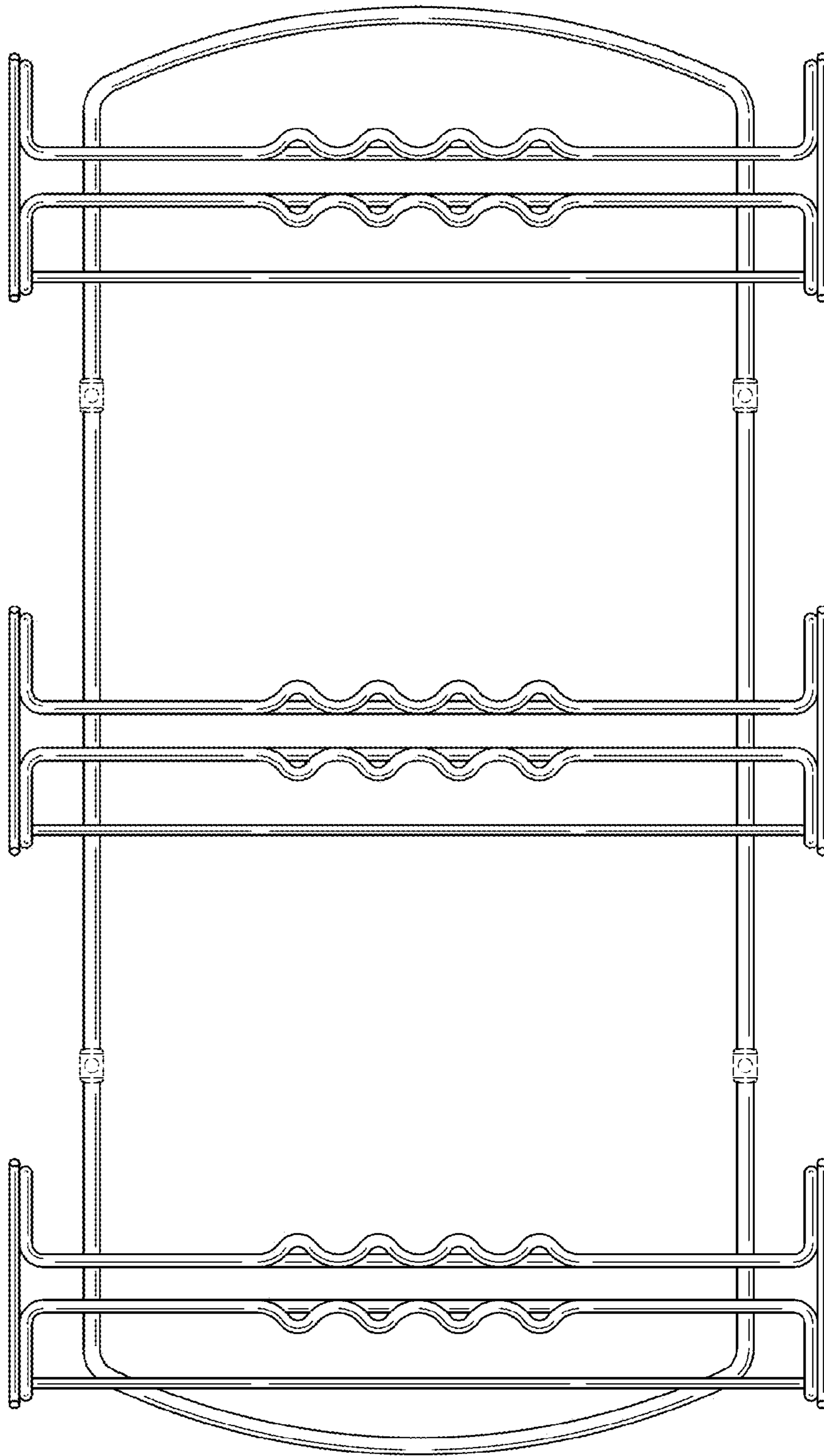


FIG. 2

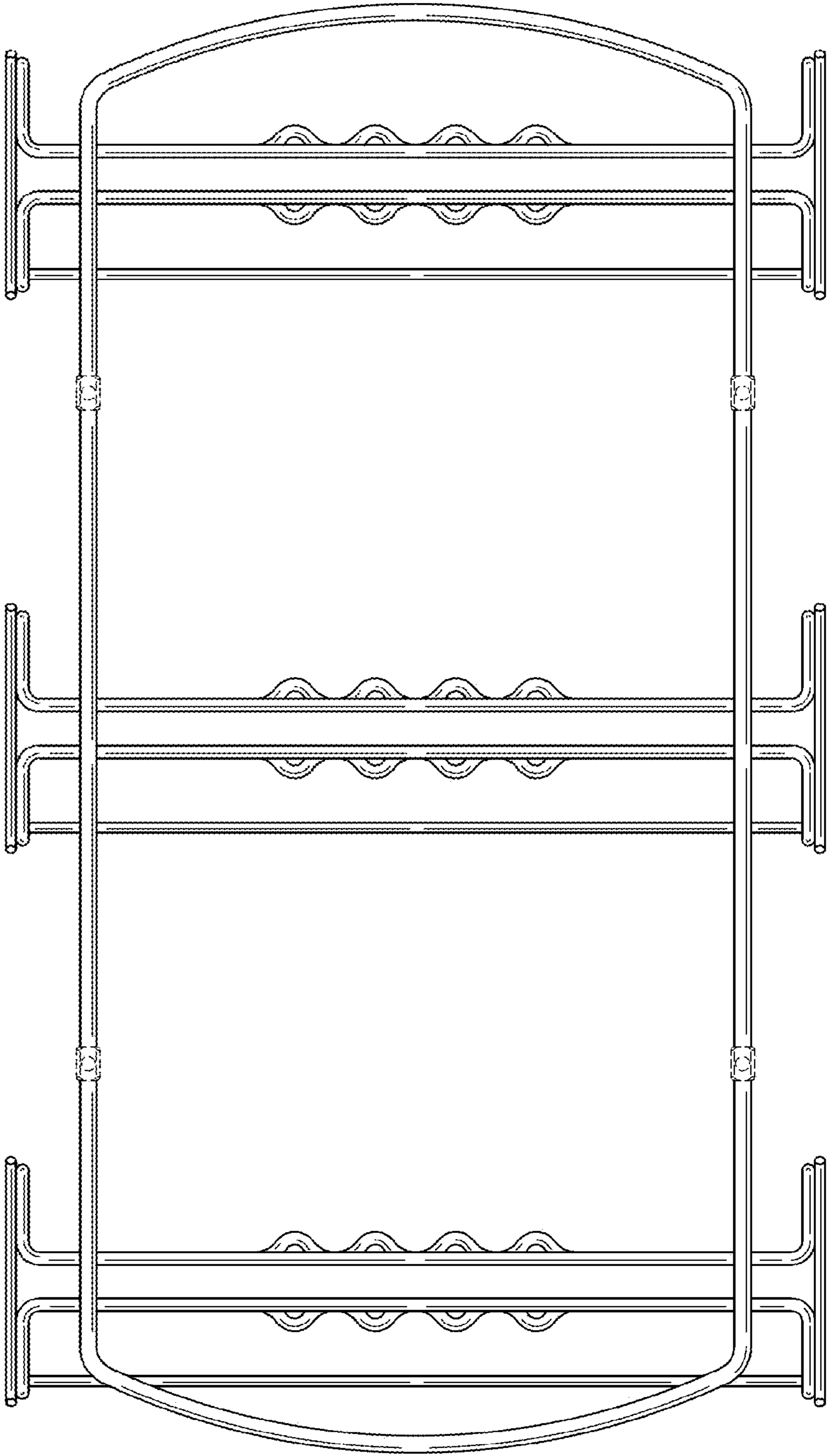


FIG. 3

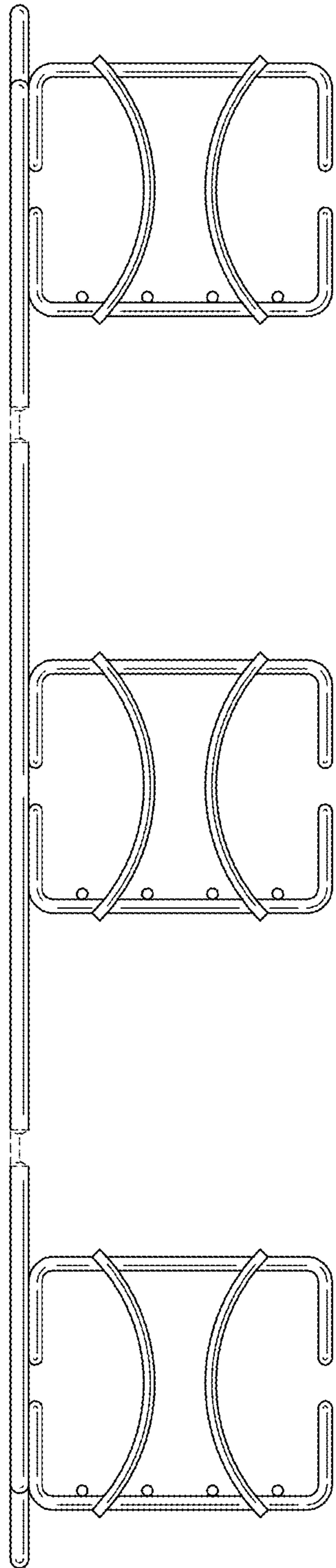


FIG. 4

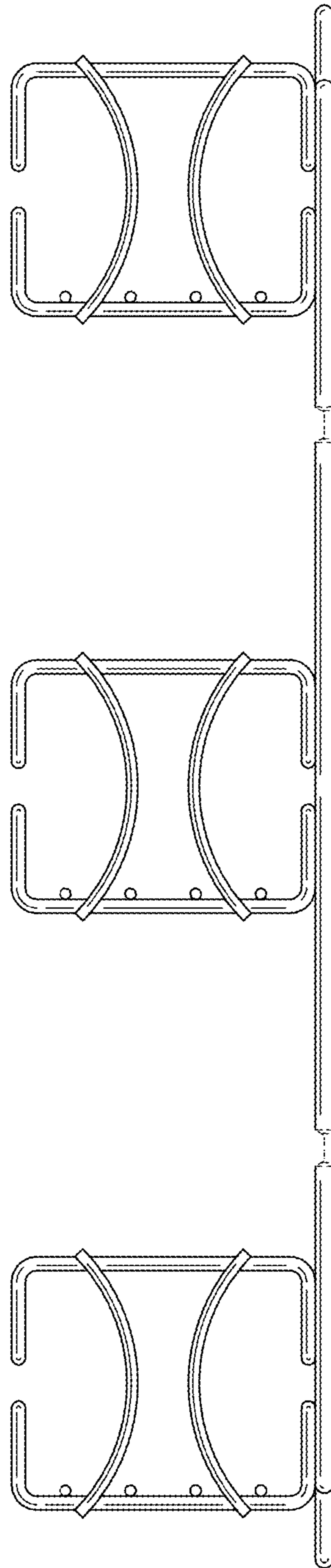


FIG. 5

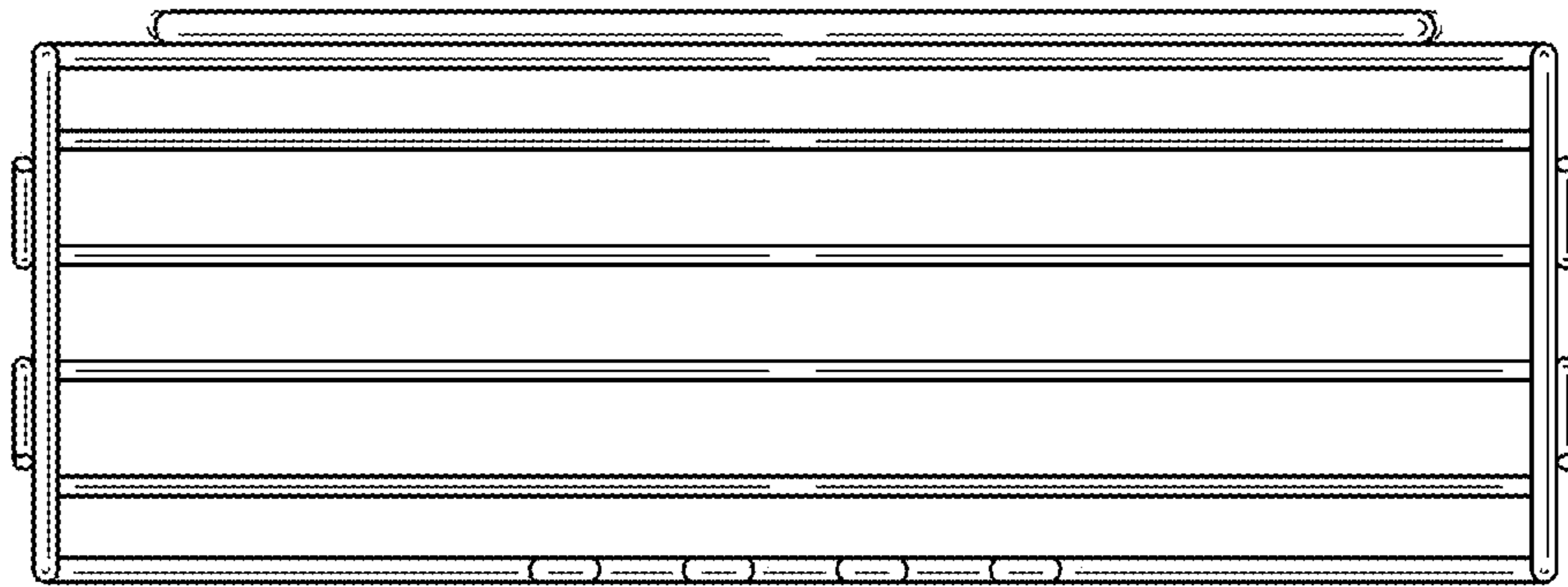


FIG. 6

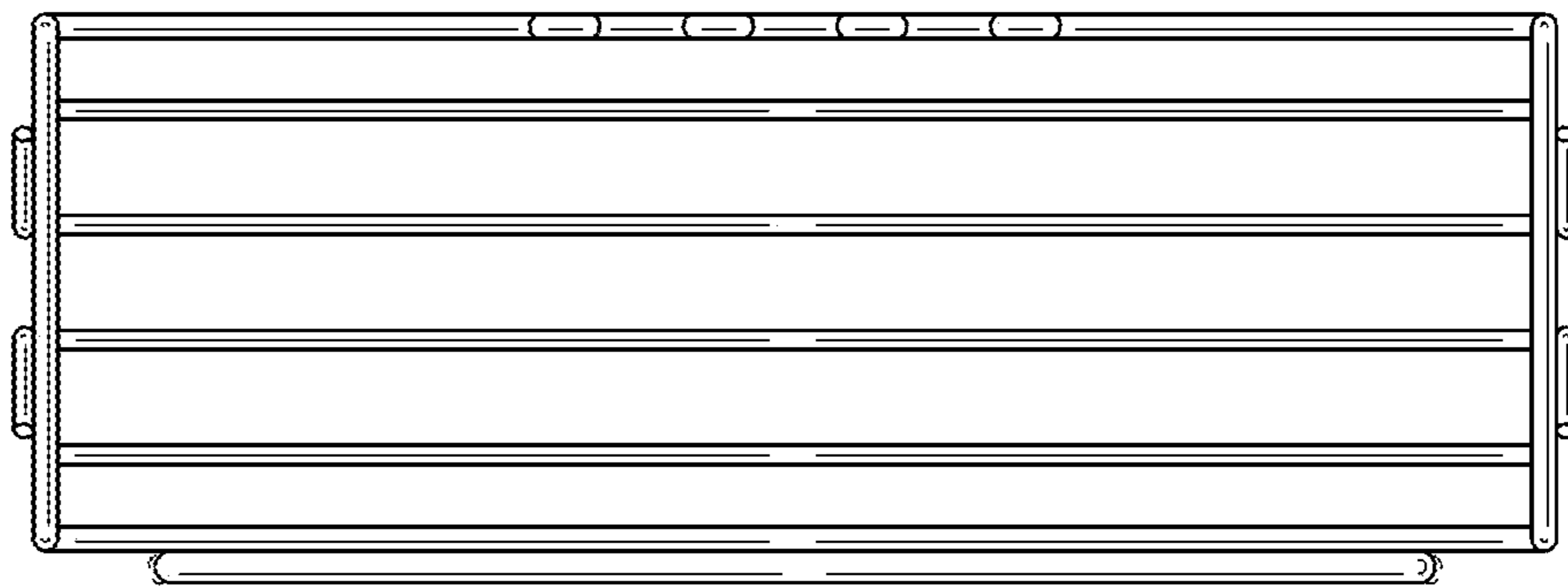


FIG. 7