



US00D769073S

(12) **United States Design Patent**
Lipper McCauley

(10) **Patent No.:** **US D769,073 S**

(45) **Date of Patent:** **** Oct. 18, 2016**

(54) **CABINET WITH PULL-OUT DROPDOWN DRAWERS**

(71) Applicant: **LIPPER INTERNATIONAL INC.**,
Wallingford, CT (US)

(72) Inventor: **Amy Lipper McCauley**, Wallingford,
CT (US)

(73) Assignee: **LIPPER INTERNATIONAL INC.**,
Wallingford, CT (US)

(**) Term: **14 Years**

(21) Appl. No.: **29/502,276**

(22) Filed: **Sep. 12, 2014**

(51) **LOC (10) Cl.** **07-06**

(52) **U.S. Cl.**
USPC **D7/600.4**

(58) **Field of Classification Search**

USPC D7/600, 600.1-600.4, 392, 397, 589,
D7/590, 596, 597, 601, 602, 609, 610, 612,
D7/614, 615, 620-623, 628-632, 637-641,
D7/701-708, 708.1, 709, 710;
D3/304-315, 317, 319, 302, 316;
D6/559, 560, 566, 567, 570, 571, 573,
D6/574, 512, 705, 705.1, 705.2, 705.3,
D6/705.4, 705.5, 705.6, 705.7, 706, 707,
D6/707.1, 707.19, 707.15, 627, 628, 629,
D6/631, 654, 654.11, 654.12, 654.13,
D6/654.14, 654.15, 654.18, 654.19, 654.2,
D6/654.22, 654.21, 655, 655.11, 655.12,
D6/655.13, 655.14, 655.15, 655.17,
D6/655.18, 655.19, 655.2, 655.22, 655.23,
D6/691.9, 692.4, 692.5, 693.1, 693.2, 677,
D6/677.1, 677.2, 677.5, 678.4, 708.2,
D6/668.1; D19/75, 77, 78, 83, 86, 92;
206/511, 557, 560, 510, 513, 503, 566,
206/563, 564; 211/1, 10, 13.1, 69.1, 69.5,
211/70, 70.1, 70.6, 74, 77, 78, 85.1, 85.2,
211/85.4, 85.5, 85.31, 126.9, 126.11,
211/126.15, 129.1, 131.1, 133.2, 133.4,
211/134, 133.5, 133.6, 181.1, 182;

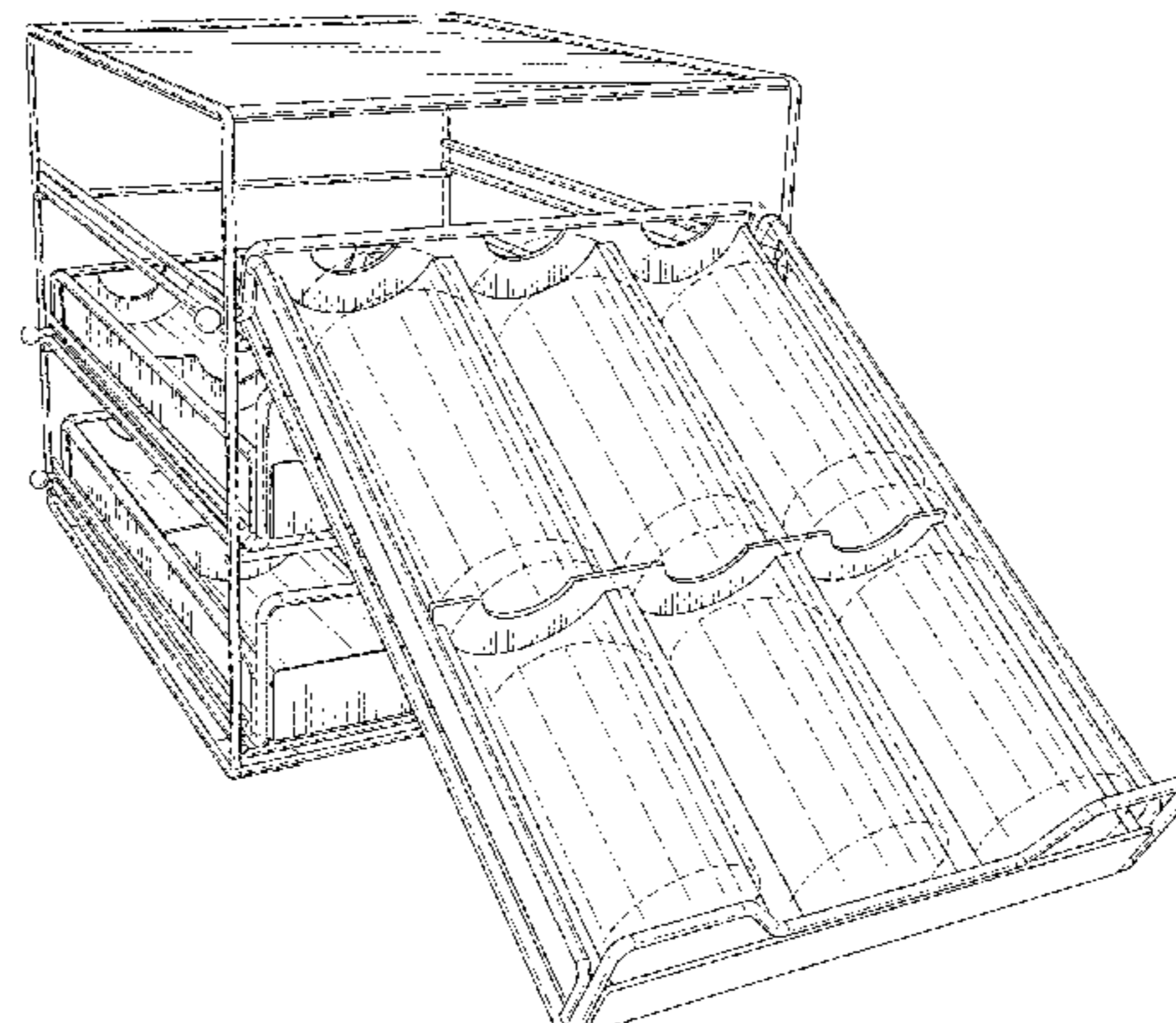
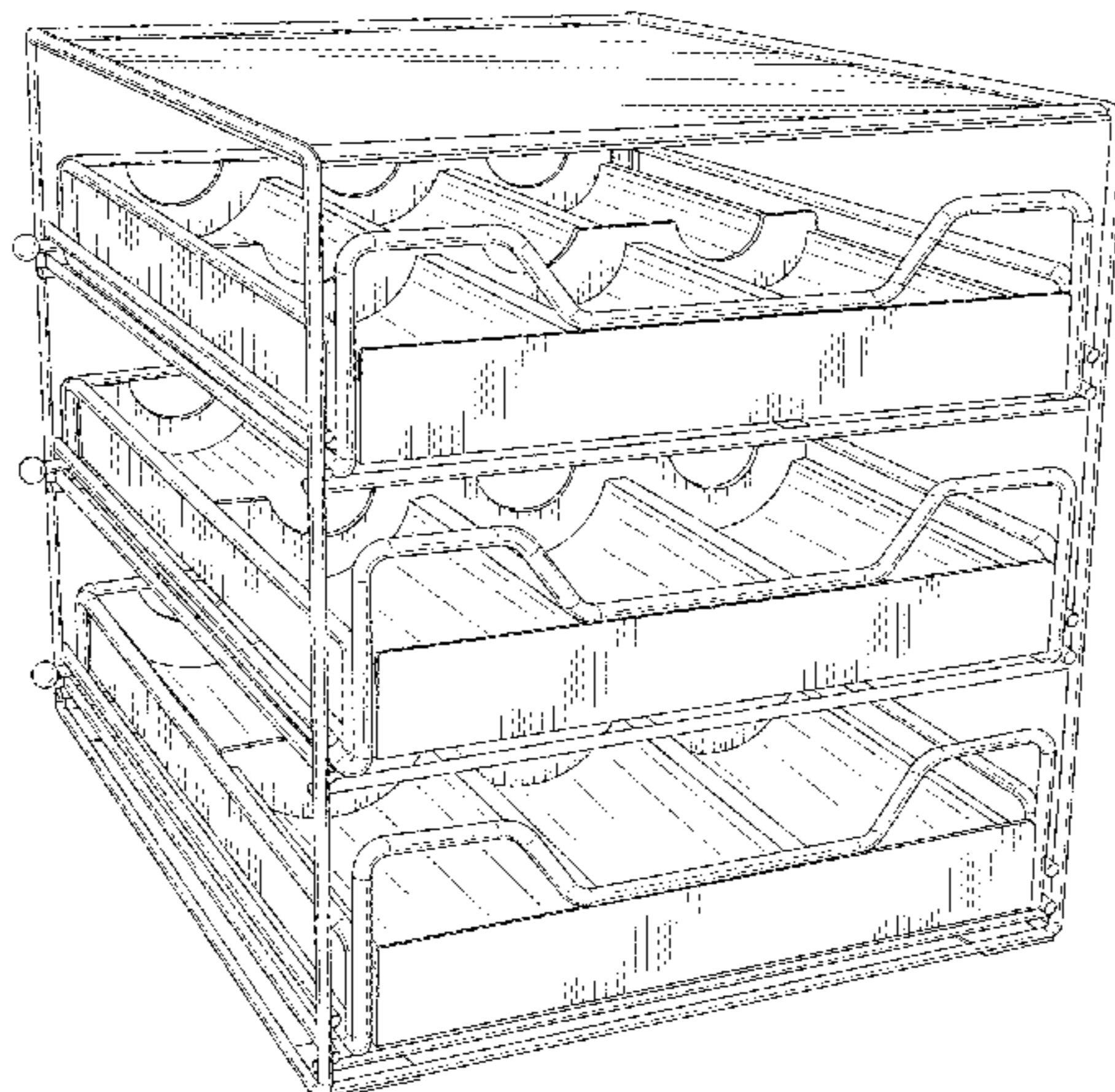
312/323, 330.1, 334.1, 334.27, 408,
312/410, 334.44, 325, 326, 327, 332.1,
312/333; 220/485, 493, 491
CPC A45D 33/22; B65D 2203/00; B65D 7/20;
B65D 83/00; B65D 21/00; B65D 85/305;
B65D 85/30; A47G 7/02; A47B 88/00;
A47B 88/0003; A47B 88/0007; A47B
88/0014; A47B 88/20; A47B 88/202; A47B
88/04; A47B 88/0466; A47B 88/0418;
A47B 81/007; A47B 2088/0444; A47J
31/3642; A47J 47/16; A47J 47/00; A47J
31/44; A47J 31/36

See application file for complete search history.

(56) **References Cited**

U.S. PATENT DOCUMENTS

1,319,431	A	*	10/1919	Straubel	A47B 13/081 108/102
D194,138	S	*	11/1962	Waller	D11/143
D446,092	S	*	8/2001	Cautereels	D7/701
D472,710	S	*	4/2003	Dembicks	D3/313
D643,686	S	*	8/2011	Tiemann	D7/600.4
D644,069	S	*	8/2011	Tiemann	D7/600.4
D644,491	S	*	9/2011	Snider	D7/600.1
D660,088	S	*	5/2012	Tiemann	D7/600.1
D660,652	S	*	5/2012	Tiemann	D7/600.1
D661,950	S	*	6/2012	Greenwood	D7/590
D661,951	S	*	6/2012	Tiemann	D7/600.1
D665,230	S	*	8/2012	Snider	D7/600.1
D670,943	S	*	11/2012	Hertaus	D6/705
D674,213	S	*	1/2013	Hertaus	D6/663
D676,265	S	*	2/2013	Tawil	D6/705.6
D676,715	S	*	2/2013	Tsai	D7/600.1
D677,992	S	*	3/2013	Greenwood	D7/600.1
D679,954	S	*	4/2013	Snider	D7/600.1
D680,380	S	*	4/2013	Tiemann	D7/600.1
D682,039	S	*	5/2013	Tiemann	D7/600.4
D682,040	S	*	5/2013	Tiemann	D7/600.4
D684,404	S	*	6/2013	Hertaus	D6/705
D686,464	S	*	7/2013	Tiemann	D7/600.1
D688,487	S	*	8/2013	Hertaus	D6/705.6
D691,858	S	*	10/2013	Tiemann	D7/600.4
D693,606	S	*	11/2013	Hertaus	D6/671.1
D701,432	S	*	3/2014	Tsai	D7/600.4
D703,003	S	*	4/2014	Tiemann	D7/600.1
D703,005	S	*	4/2014	Tiemann	D7/600.1
D708,022	S	*	7/2014	Breuss	D7/641
D708,906	S	*	7/2014	Tiemann	D7/600.1



D708,907 S * 7/2014 Tiemann D7/600.1
D708,909 S * 7/2014 Tiemann D7/600.1
D718,578 S * 12/2014 Sabounjian D7/600.1
2005/0077299 A1* 4/2005 Cheng A47B 55/02
220/485

* cited by examiner

Primary Examiner — Ian Simmons

Assistant Examiner — Shannon Morgan

(74) *Attorney, Agent, or Firm* — Lucas & Mercanti, LLP

(57) **CLAIM**

The ornamental design for a cabinet with pull-out dropdown drawers, as shown and described.

DESCRIPTION

FIG. 1 is a front perspective view of a cabinet with pull-out dropdown drawers showing my new design;

FIG. 2 is a front elevational view thereof;

FIG. 3 is a right side elevational view thereof;

FIG. 4 is a rear elevational view thereof;

FIG. 5 is a left side elevational view thereof;

FIG. 6 is a top plan view thereof;

FIG. 7 is a bottom plan view thereof;

FIG. 8 is a front perspective view of the cabinet with pull-out dropdown drawers shown with the top drawer open;

FIG. 9 is a right side elevational view thereof;

FIG. 10 is a front perspective view of the cabinet with pull-out dropdown drawers shown with the middle drawer open;

FIG. 11 is a right side elevational view thereof;

FIG. 12 is a front perspective view of the cabinet with pull-out dropdown drawers shown with the bottom drawer open;

FIG. 13 is a right side elevational view thereof;

FIG. 14 is a front perspective view of the cabinet with pull-out dropdown drawers with the top and bottom drawers open;

FIG. 15 is a right side elevational view thereof;

FIG. 16 is a front perspective view of the cabinet with pull-out dropdown drawers shown with top, middle and bottom drawers open; and,

FIG. 17 is a right side elevational view thereof.

The broken lines in FIG. 7 and FIG. 8 of the cabinet with pull-out dropdown drawers are for the purpose of illustrating environment, and form no part of the claimed design.

1 Claim, 17 Drawing Sheets

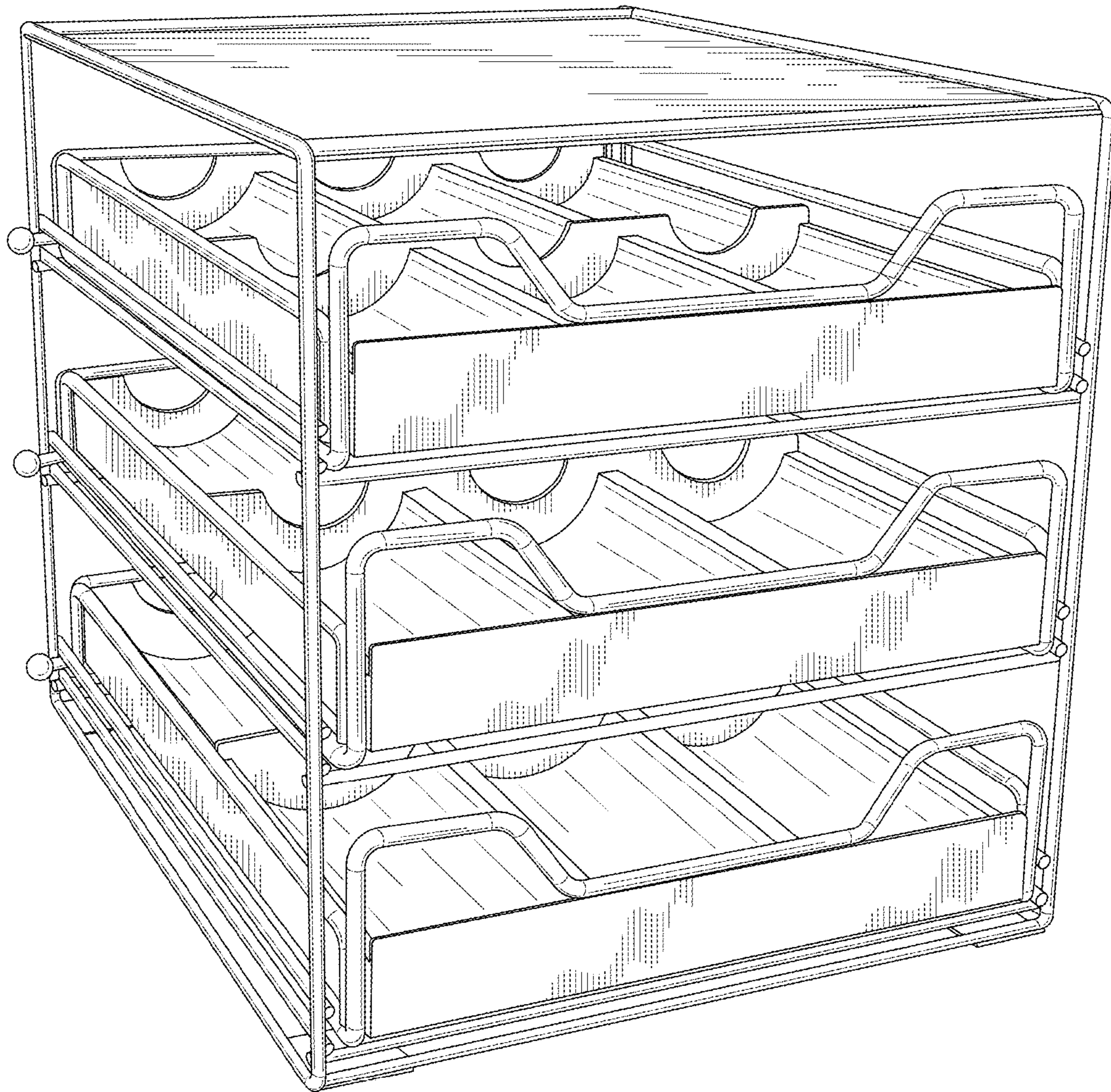


FIG. 1

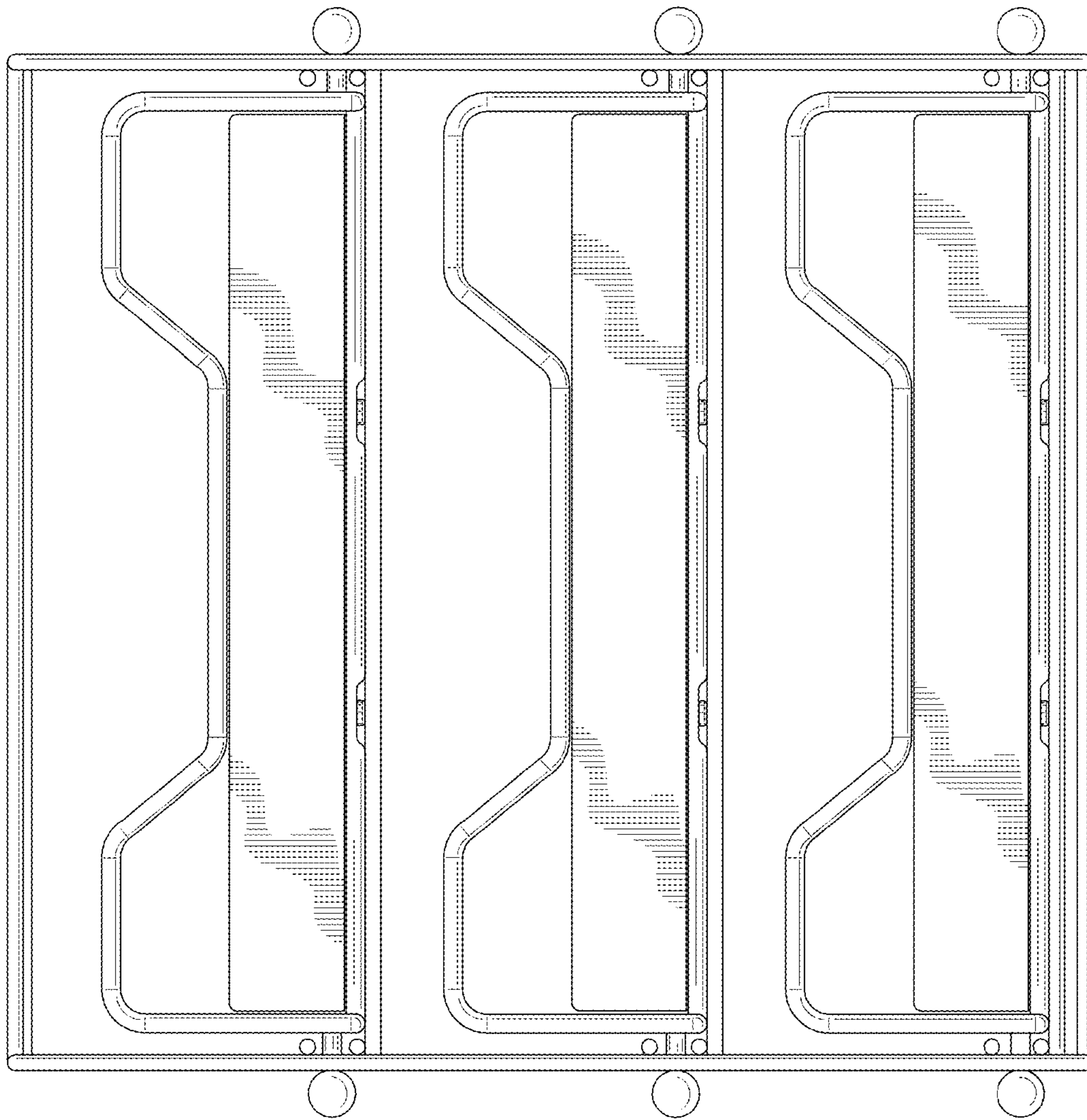


FIG. 2

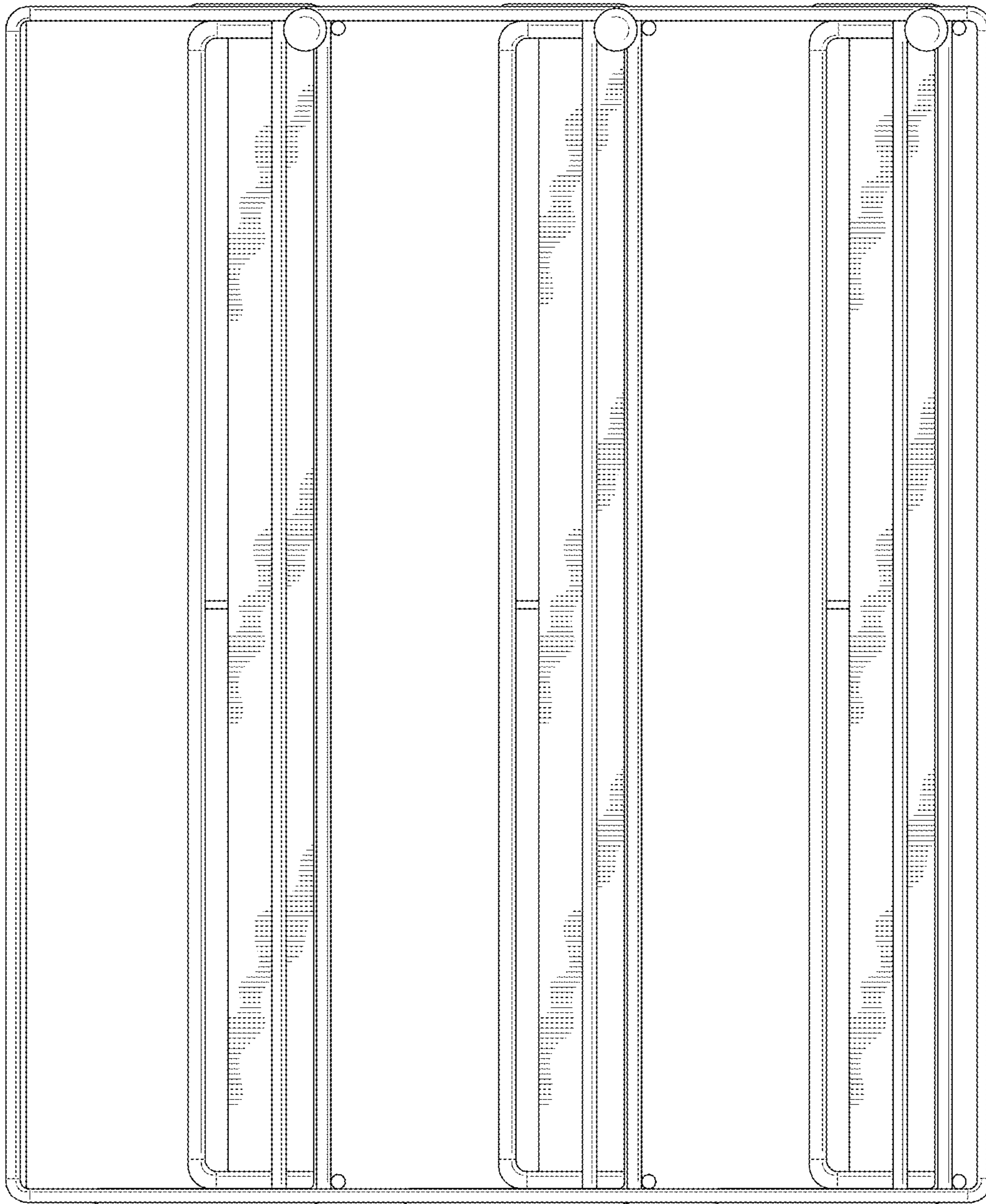


FIG. 3

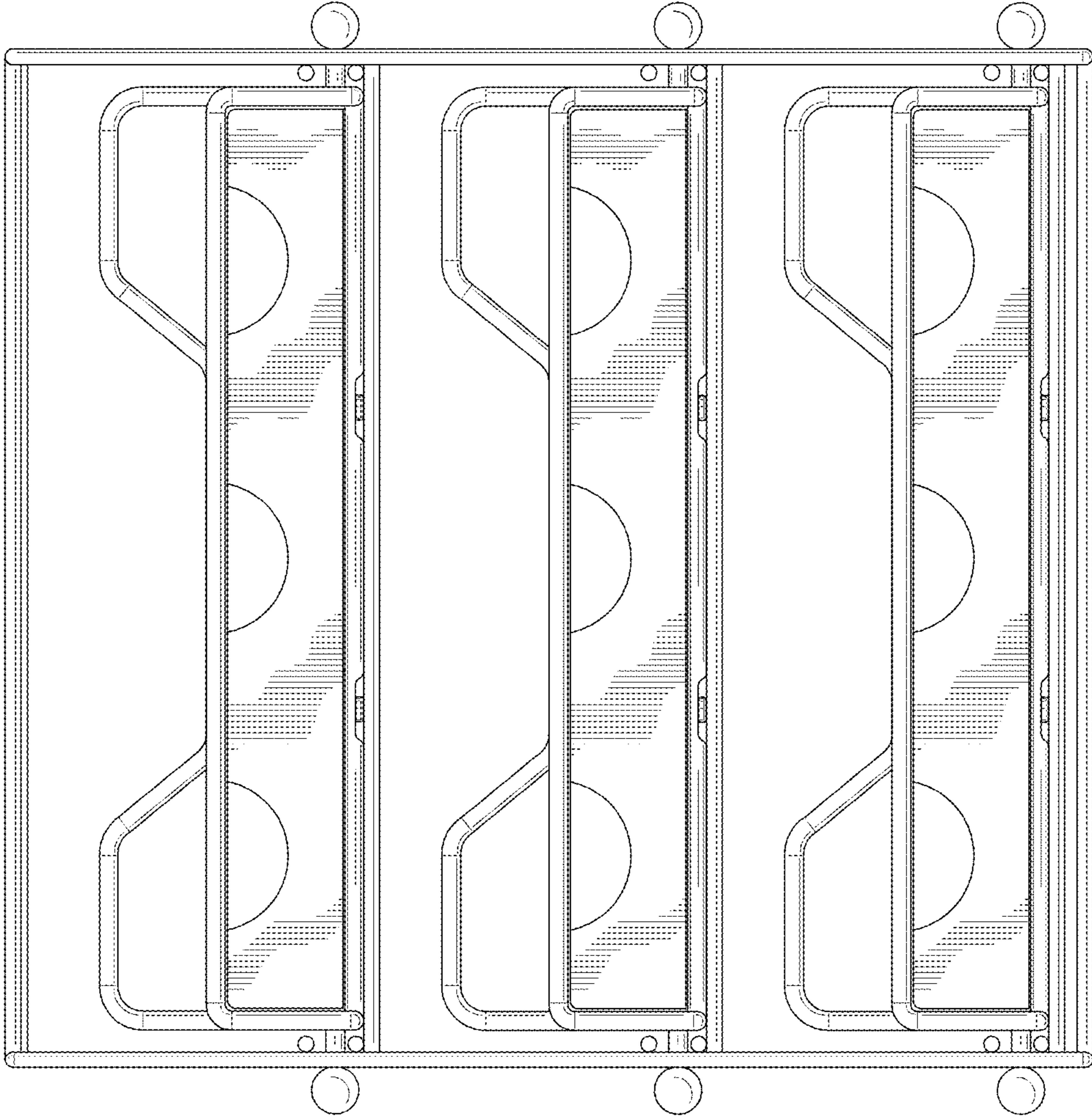


FIG. 4

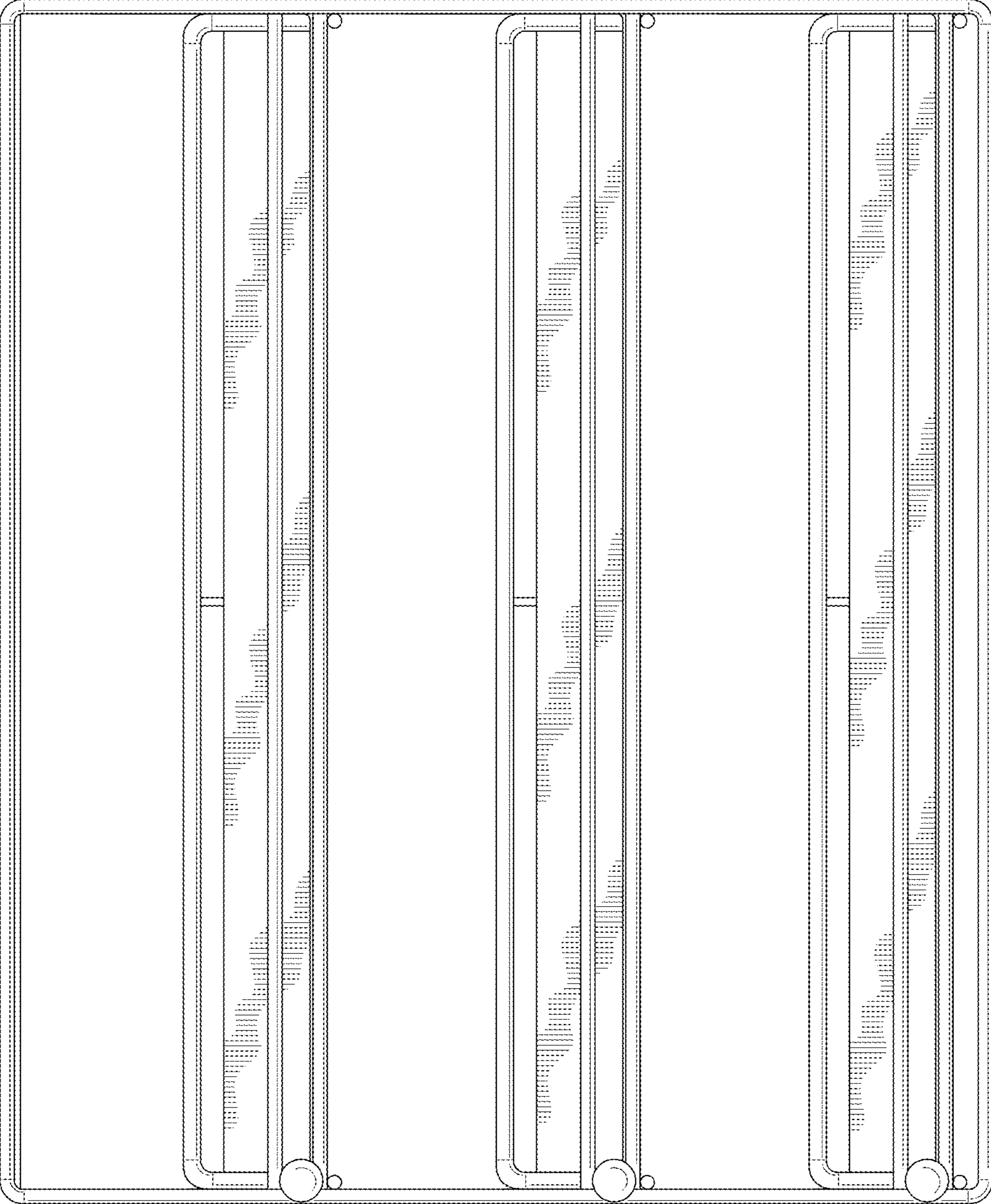


FIG. 5

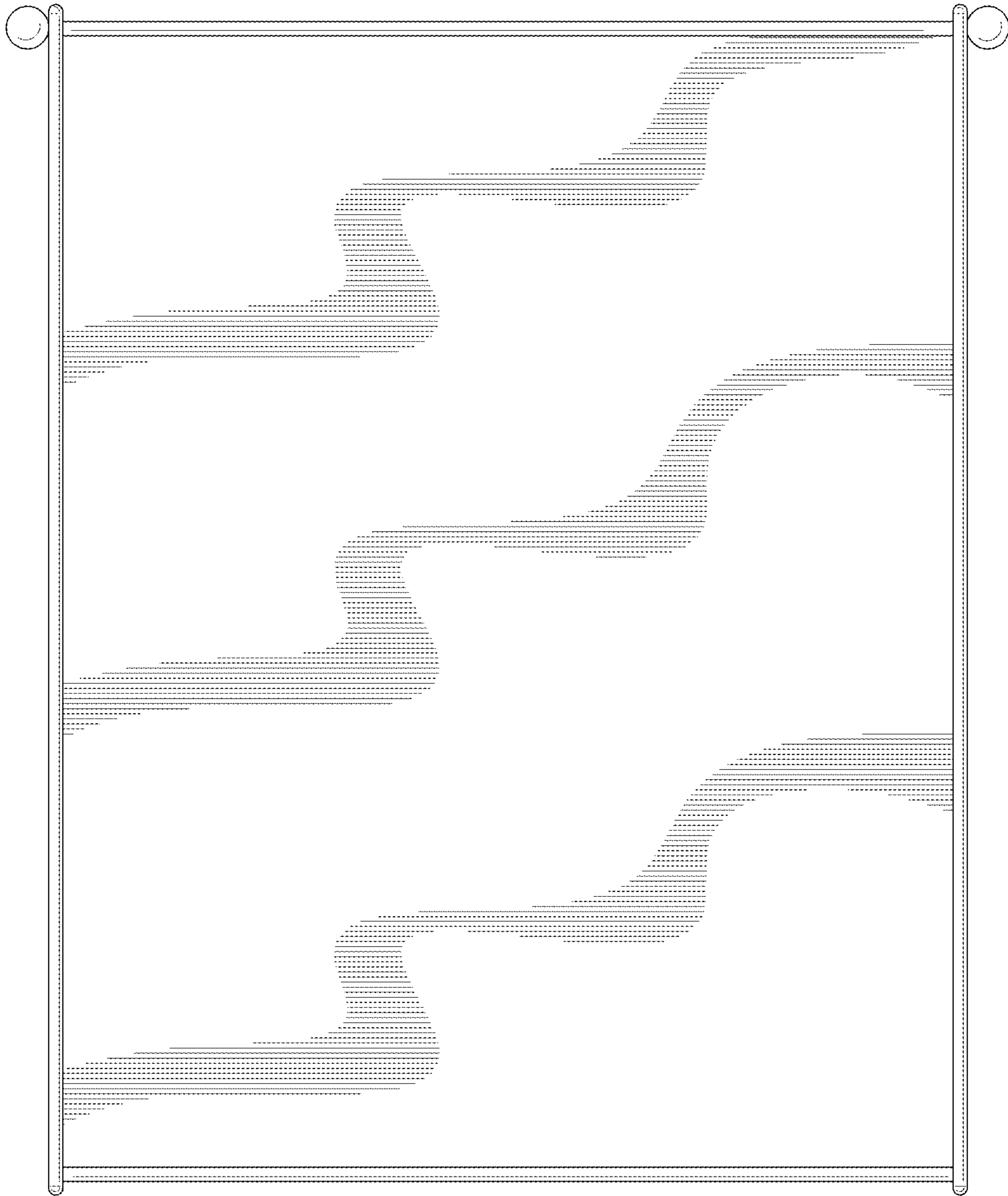


FIG. 6

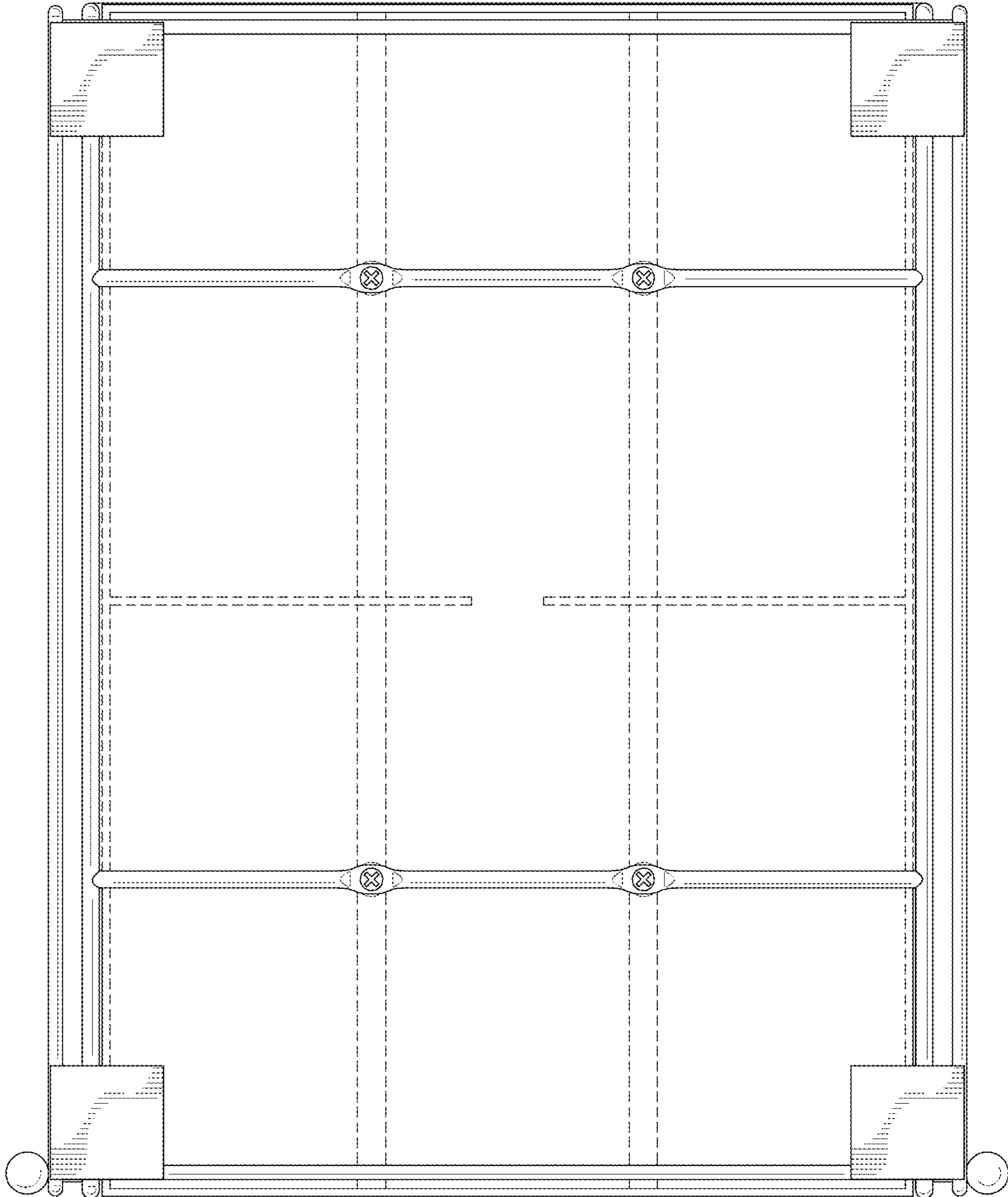


FIG. 7

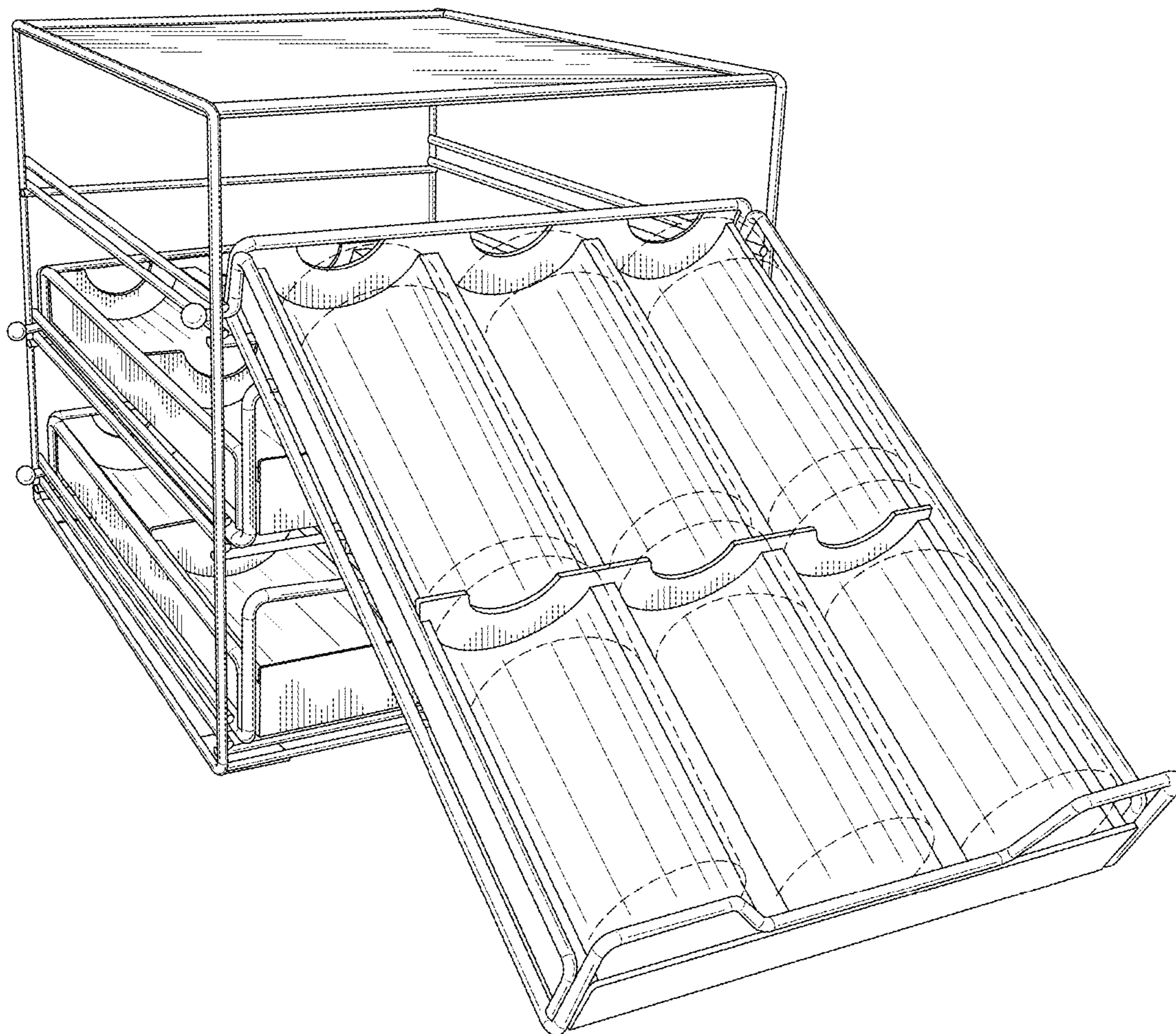


FIG. 8

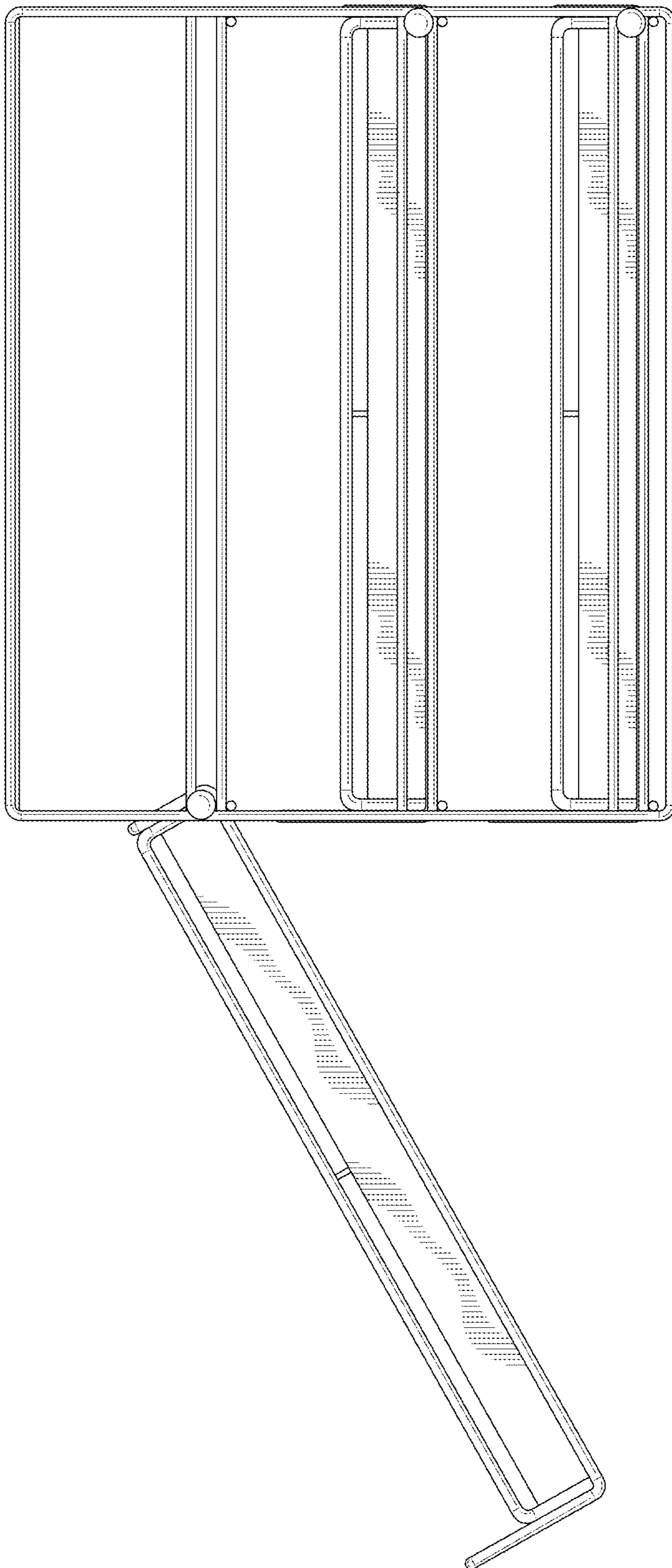


FIG. 9

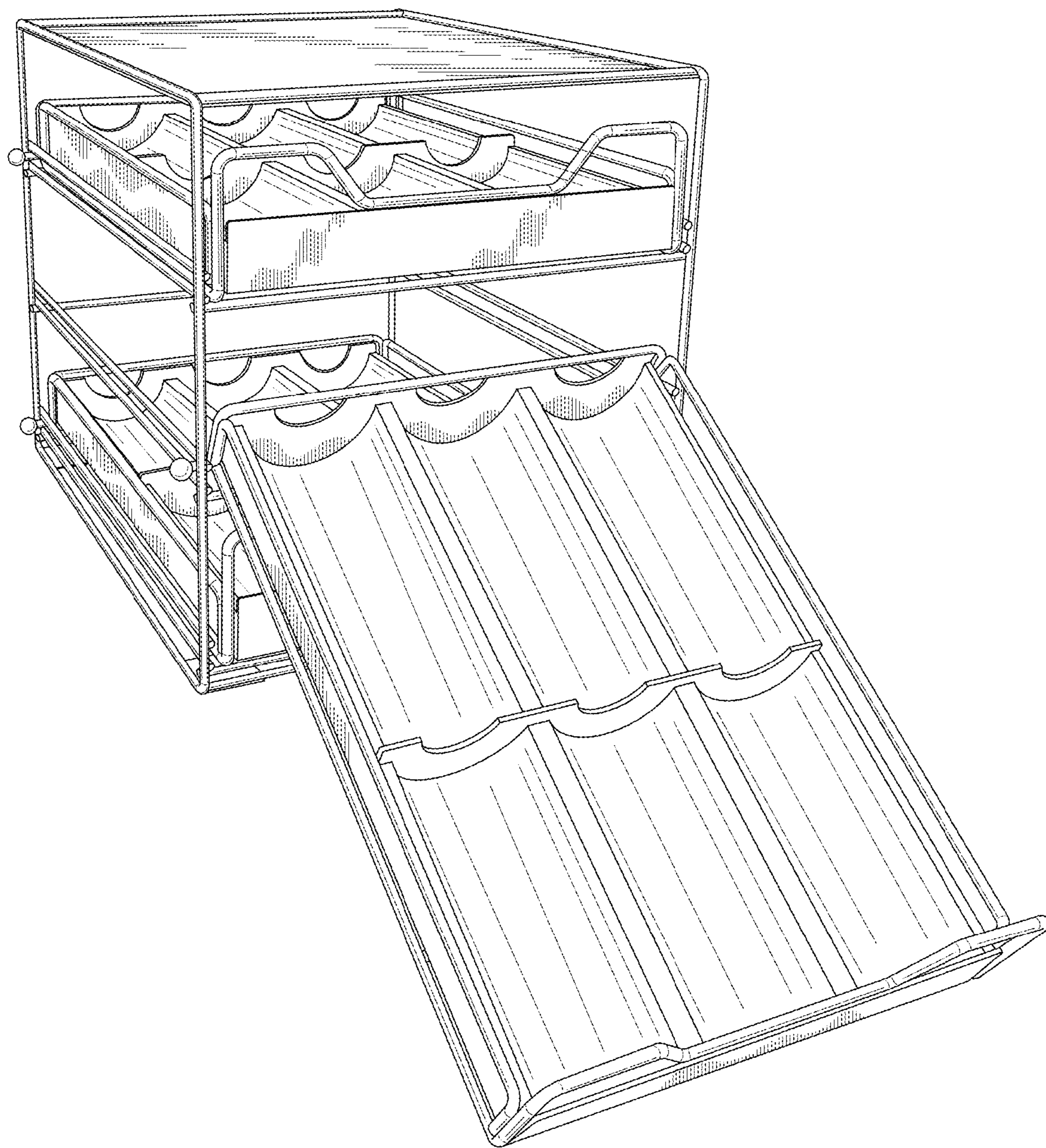


FIG. 10

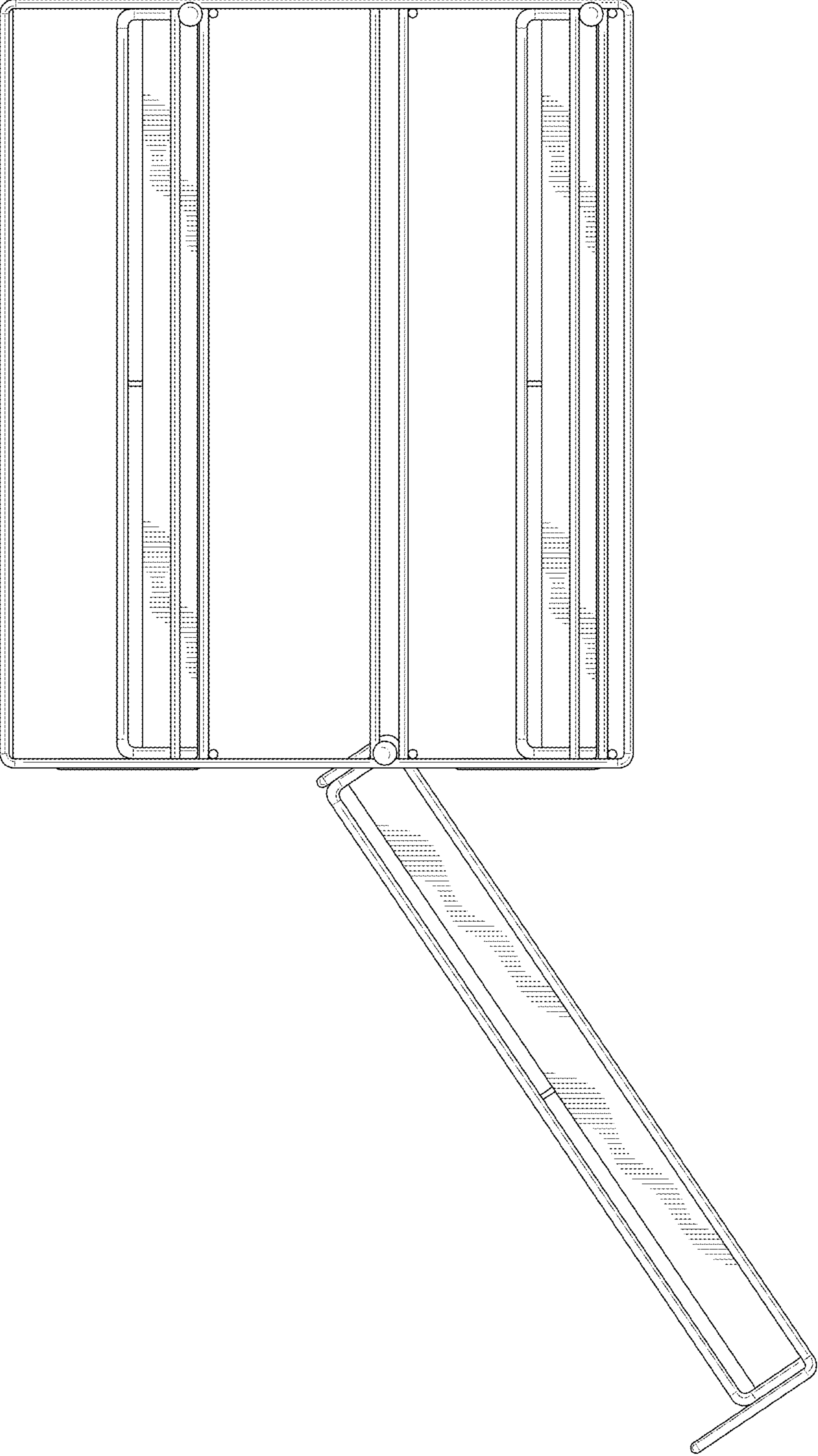


FIG. 11

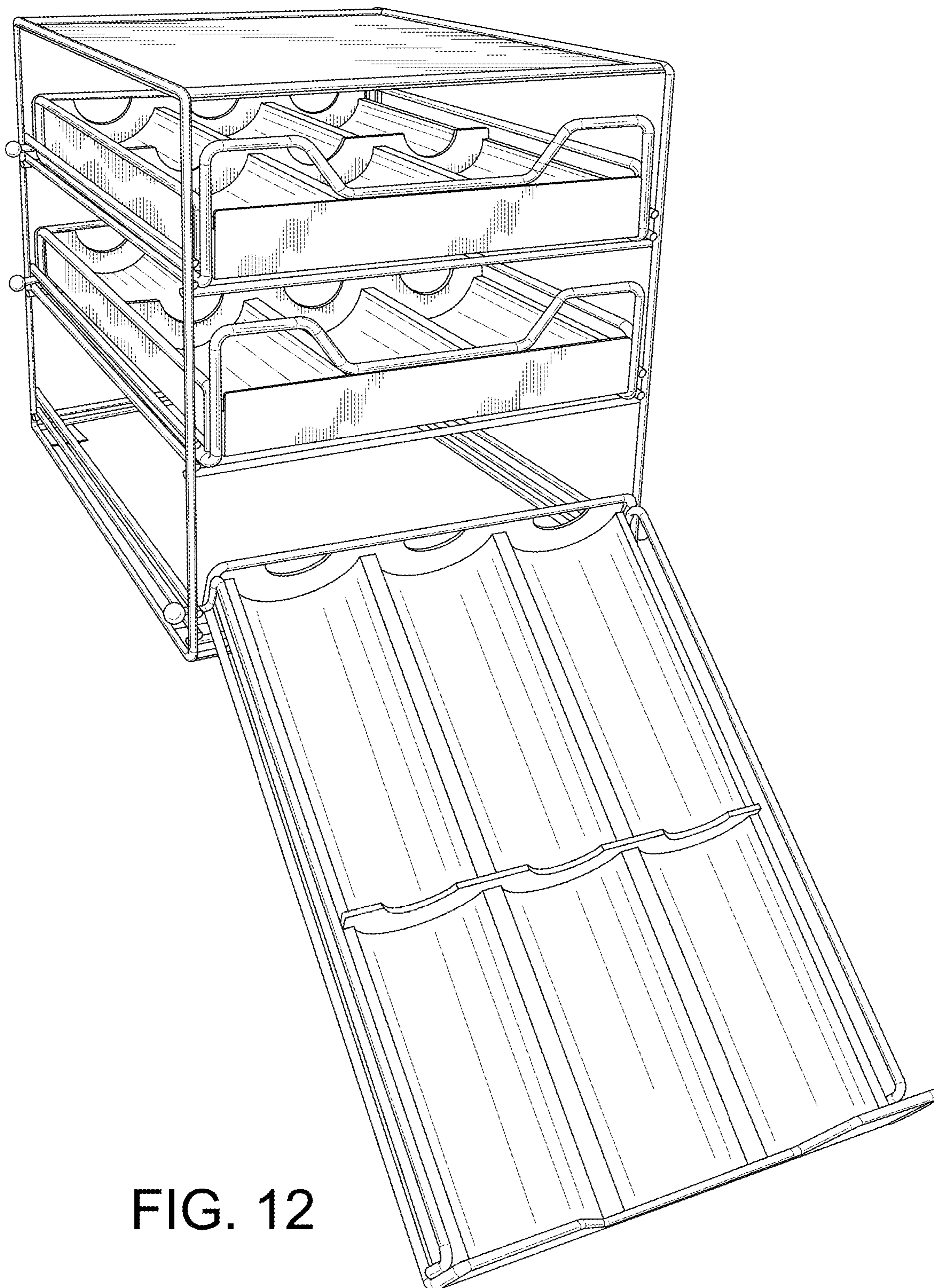


FIG. 12

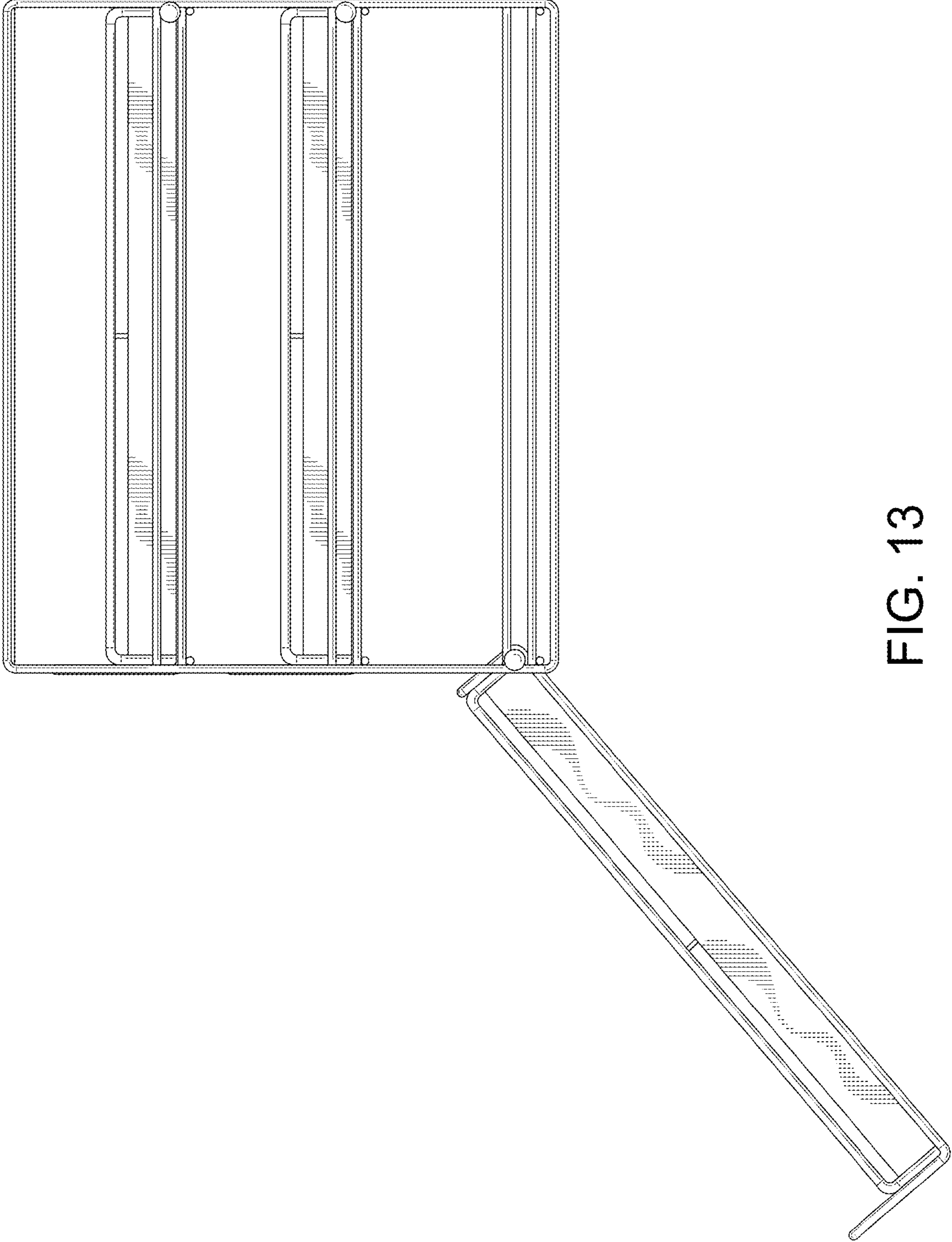


FIG. 13

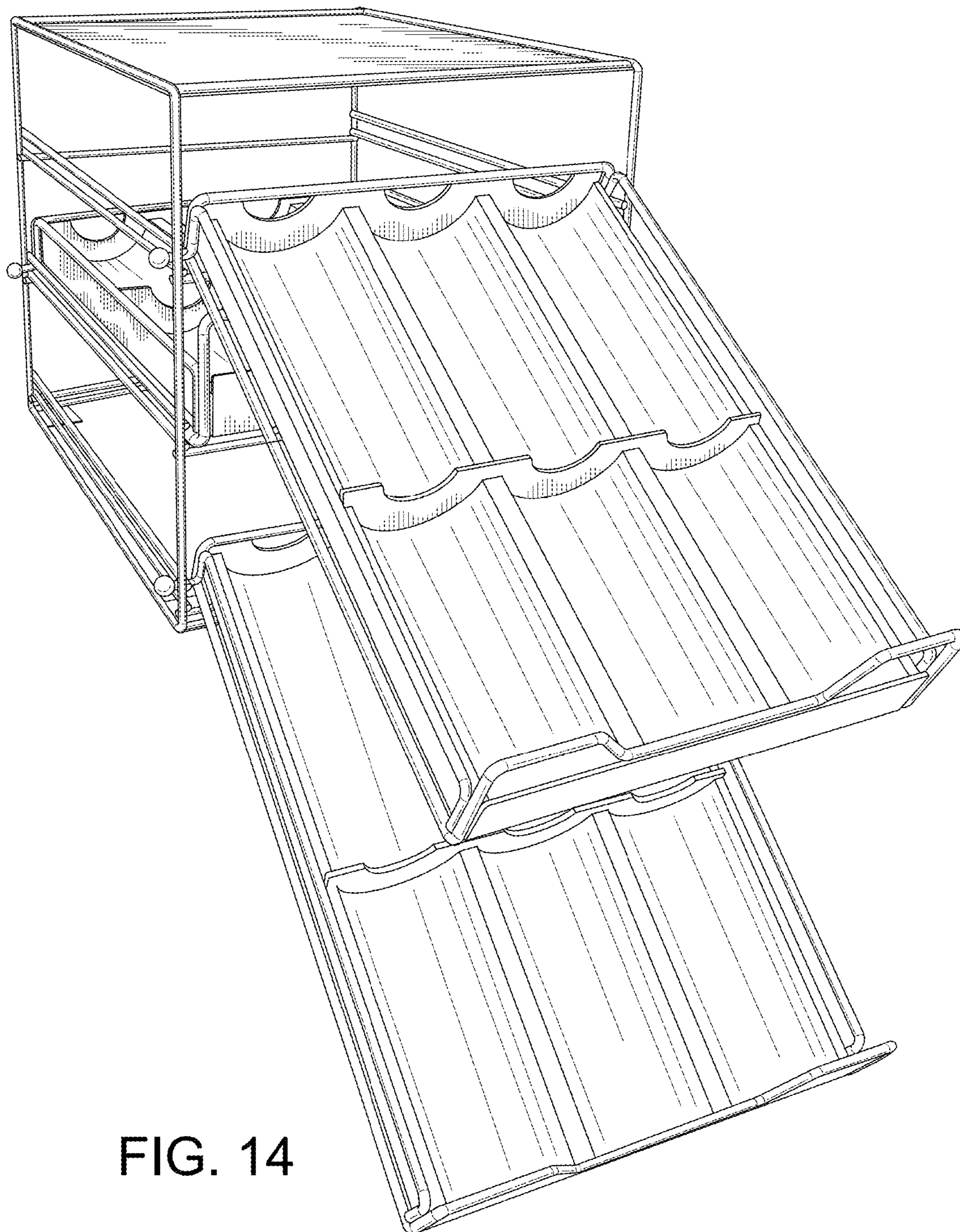


FIG. 14

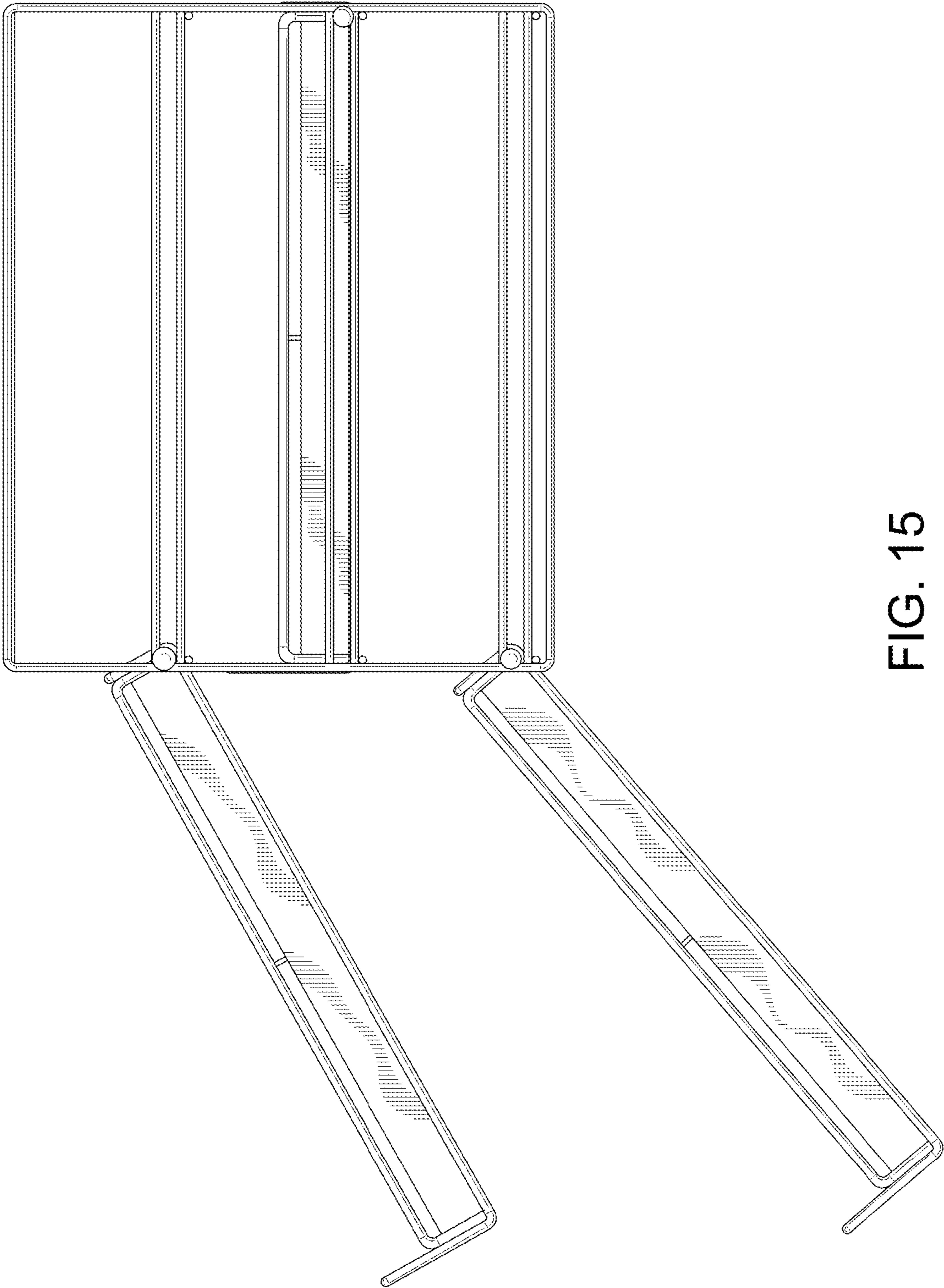


FIG. 15

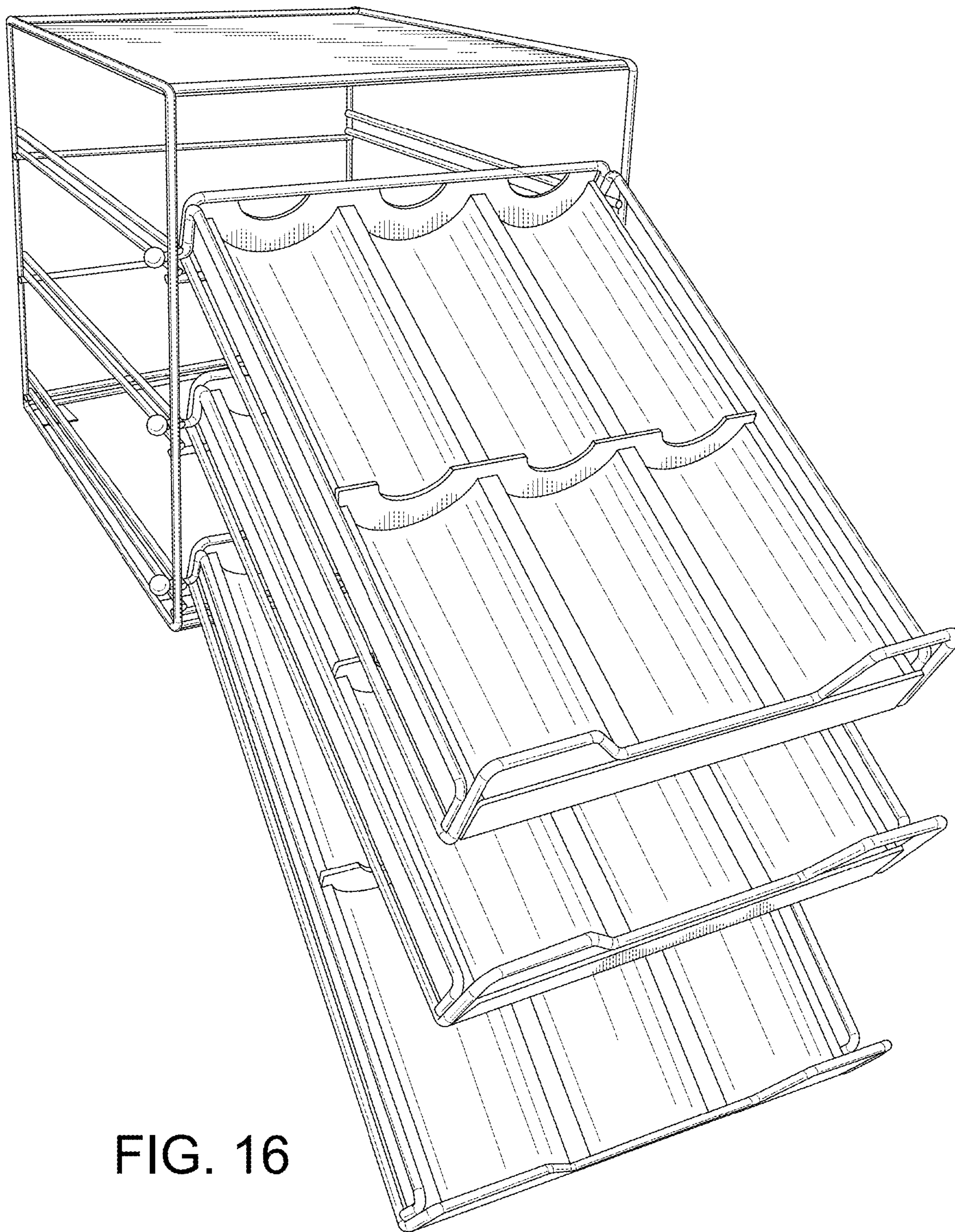


FIG. 16

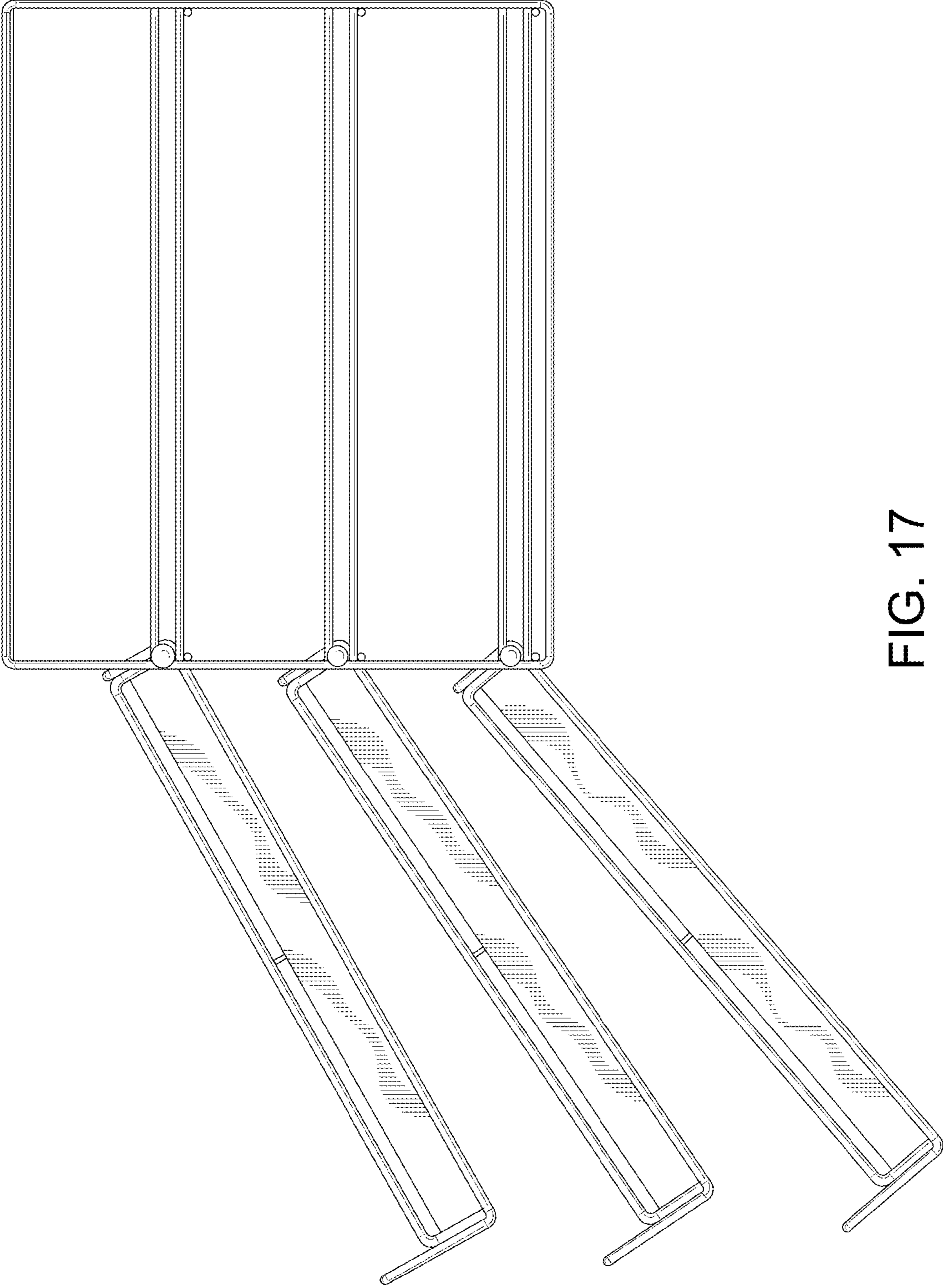


FIG. 17