



US00D769071S

(12) **United States Design Patent**
Heimsoth et al.

(10) **Patent No.:** **US D769,071 S**
(45) **Date of Patent:** **** Oct. 18, 2016**

(54) **HEXAGONAL CUP**

- (71) Applicant: **Hexcup, LLC**, La Jolla, CA (US)
- (72) Inventors: **William Heimsoth**, Sedalia, MO (US);
Aaron Attebery, Overland Park, KS (US)
- (**) Term: **15 Years**
- (21) Appl. No.: **29/569,767**
- (22) Filed: **Jun. 30, 2016**

Related U.S. Application Data

- (63) Continuation of application No. 29/546,362, filed on Nov. 20, 2015.
- (51) **LOC (10) Cl.** **07-01**
- (52) **U.S. Cl.**
USPC **D7/523**; D7/532; D7/509
- (58) **Field of Classification Search**
USPC D7/507, 509, 510, 511, 514, 515, 523,
D7/530, 531, 532, 598, 599, 593, 213;
D9/651, 772, 783, 500, 503, 553, 555,
D9/566, 568, 414, 433, 428, 429, 600;
220/592.16, 592.17, 495.01, 508, 703;
D11/143, 144; D3/215, 202
CPC A47G 19/22; A47G 19/2205; A47G
19/2272; A45F 3/16; B65D 1/265; B65D
3/06
See application file for complete search history.

(56) **References Cited**

U.S. PATENT DOCUMENTS

- D4,755 S * 4/1871 William D9/559
- D4,759 S * 4/1871 William 215/382

(Continued)

OTHER PUBLICATIONS

<http://didntknowyouneeded.com/products/hexcups> Jan. 2016.*

Primary Examiner — Marianne Pandozzi

Assistant Examiner — Jae Liang

(74) *Attorney, Agent, or Firm* — Buche & Associates, P.C.; John K. Buche; Bryce A. Johnson

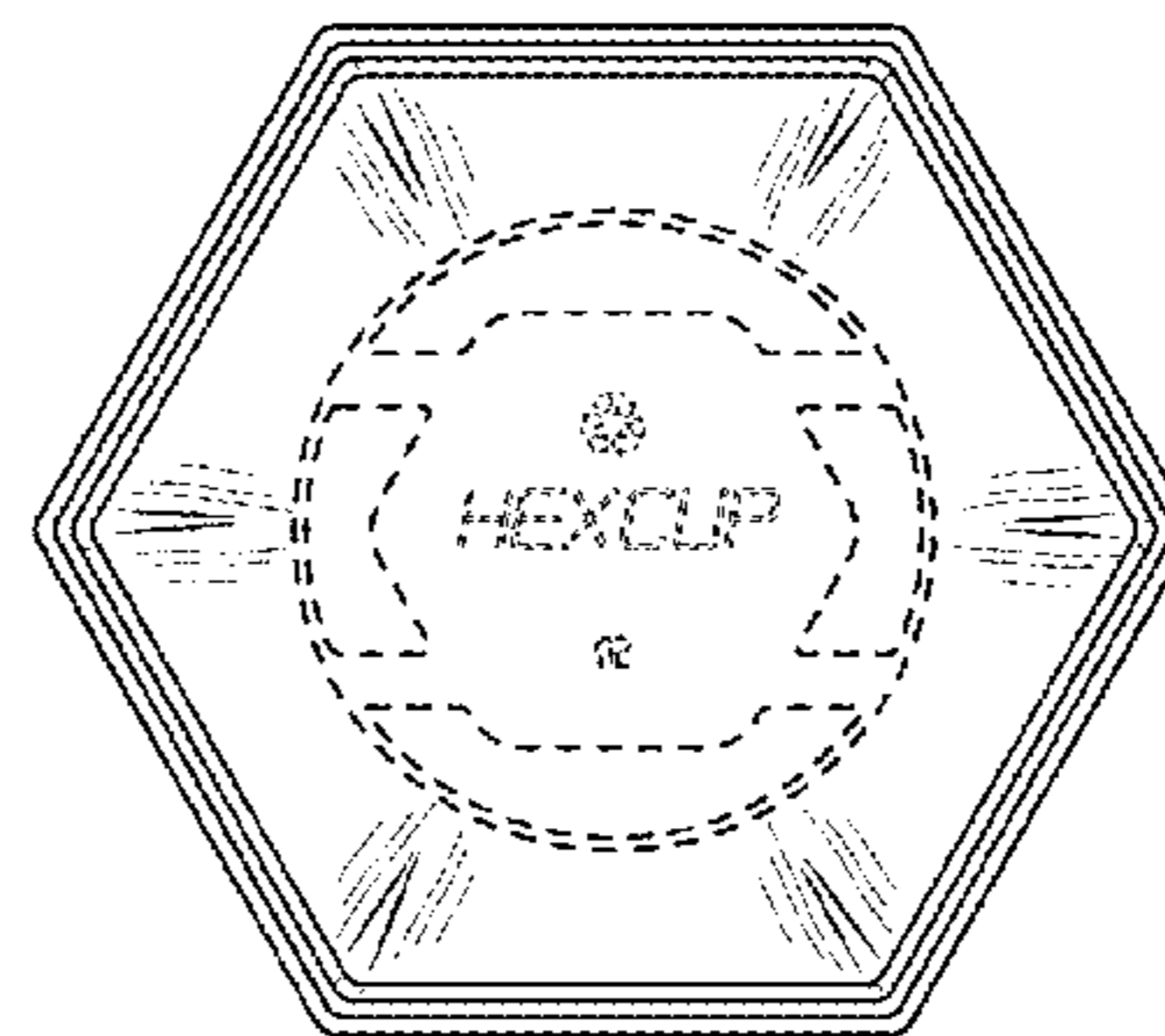
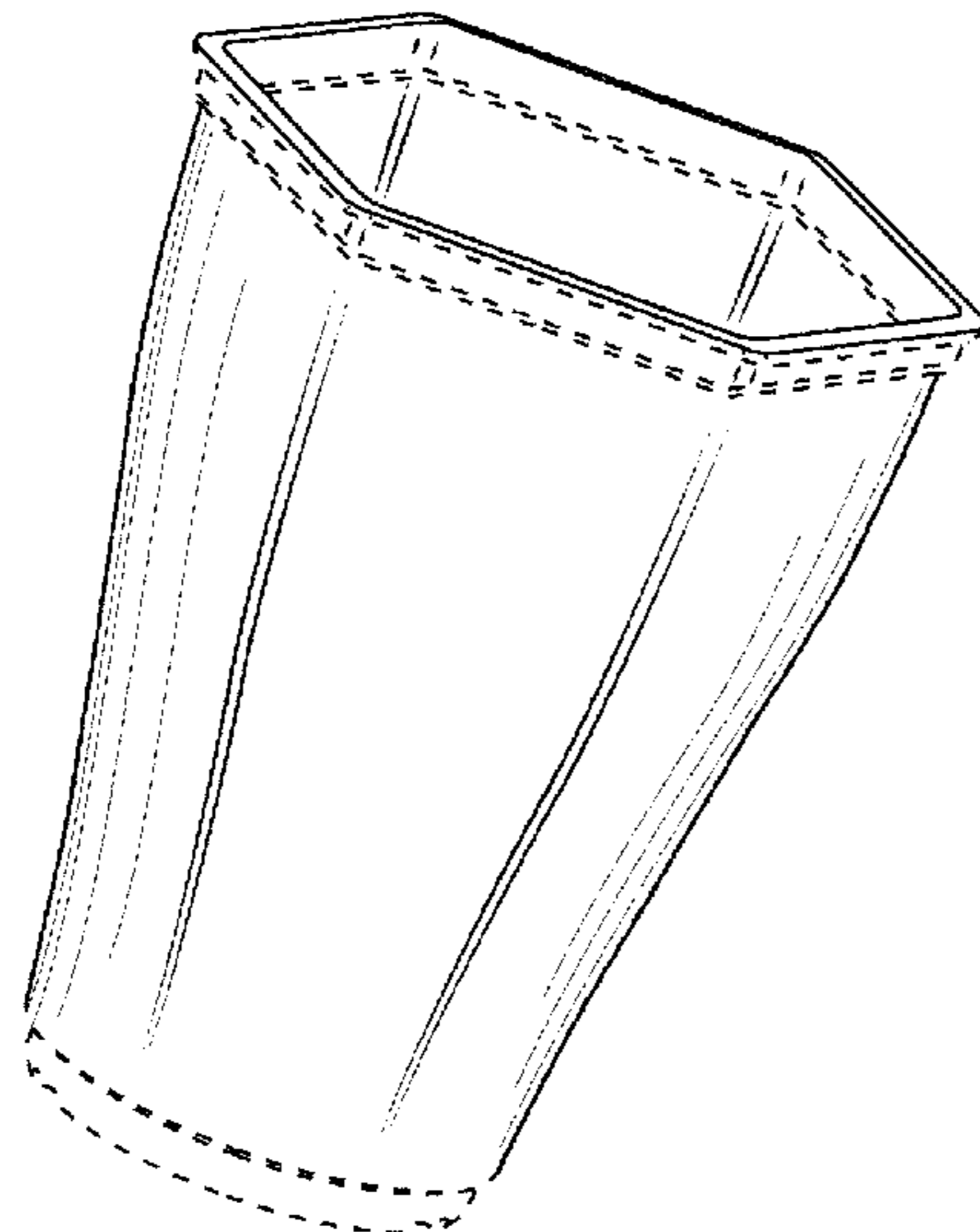
(57) **CLAIM**

The ornamental design for a hexagonal cup, as shown and described.

DESCRIPTION

FIG. 1 is a perspective view of a first embodiment of a hexagonal cup showing our new design;
 FIG. 2 is a front view thereof;
 FIG. 3 is a rear view thereof;
 FIG. 4 is a left side view thereof;
 FIG. 5 is a right side view thereof;
 FIG. 6 is a top view thereof;
 FIG. 7 is a bottom view thereof;
 FIG. 8 is a bottom perspective view thereof;
 FIG. 9 is an environmental perspective view thereof;
 FIG. 10 is a perspective view of a second embodiment of a hexagonal cup;
 FIG. 11 is a front view thereof;
 FIG. 12 is a rear view thereof;
 FIG. 13 is a left side view thereof;
 FIG. 14 is a right side view thereof;
 FIG. 15 is a top view thereof;
 FIG. 16 is a bottom view thereof;
 FIG. 17 is a bottom perspective view thereof; and,
 FIG. 18 is an environmental perspective view thereof.
 The broken lines are environmental or otherwise depict portions of the hexagonal cup that form no part of the claimed design.

1 Claim, 12 Drawing Sheets



(56)

References Cited

U.S. PATENT DOCUMENTS

1,969,030	A *	8/1934	Page	B65D 3/06 229/5.5
2,123,147	A	7/1938	Synder		
2,174,687	A	10/1939	Comley		
2,372,312	A	3/1945	Buttery		
2,465,661	A	3/1949	Ringler		
2,517,552	A	8/1950	Field		
2,622,415	A	12/1952	Landers et al.		
D207,174	S *	3/1967	Rowbottam	D11/143
D208,829	S *	10/1967	Stockdale	D11/143
D213,427	S *	3/1969	Batdorf	D9/429
D224,208	S	7/1972	Kuchar		
3,867,788	A *	2/1975	Mickelson	A47G 7/047 248/318
D242,736	S *	12/1976	Craft, III	D11/143
D253,872	S *	1/1980	Reynolds	D7/523
D259,774	S *	7/1981	Criscitiello, Jr.	D11/143
D266,487	S	10/1982	Mansau		
D308,318	S *	6/1990	Durand	D7/509
5,033,232	A *	7/1991	Vaughn	A47G 7/08 220/9.4
D324,823	S	3/1992	Scarpa et al.		
D326,830	S *	6/1992	Vaughn	D11/143
D333,196	S *	2/1993	Dziersk	D34/1
5,445,315	A *	8/1995	Shelby	B65D 5/3628 220/592.17
D369,519	S *	5/1996	Wilson	D7/509
D373,531	S	9/1996	Cooksey		
D374,414	S *	10/1996	Weder	D11/164
D385,186	S	10/1997	Fildan		
5,887,781	A *	3/1999	Marx	B65D 5/14 229/110
D411,079	S *	6/1999	Graham	D7/624.2
7,328,833	B1 *	2/2008	Wiley	B65D 5/32 229/108.1
D582,266	S *	12/2008	Helms, Jr.	D9/430
D592,495	S *	5/2009	Reiterer	D9/416
7,546,932	B2	6/2009	Smith et al.		
D662,784	S *	7/2012	Fleck	D7/607
8,474,685	B2	7/2013	Shaboo		
D693,673	S *	11/2013	de Witte	D9/429
D702,087	S *	4/2014	Steel	D7/300.1
D719,824	S *	12/2014	Wagner	D9/430
8,899,590	B1	12/2014	Kahn et al.		
9,010,759	B2	4/2015	McDonnell		
D736,617	S *	8/2015	Sy	D9/429
D752,971	S *	4/2016	Vu	D9/429
9,314,089	B2	4/2016	Hodge et al.		
2002/0134701	A1	9/2002	Olsthoorn		
2011/0220665	A1	9/2011	McDonnell et al.		
2014/0144804	A1	5/2014	Roodnat et al.		

* cited by examiner

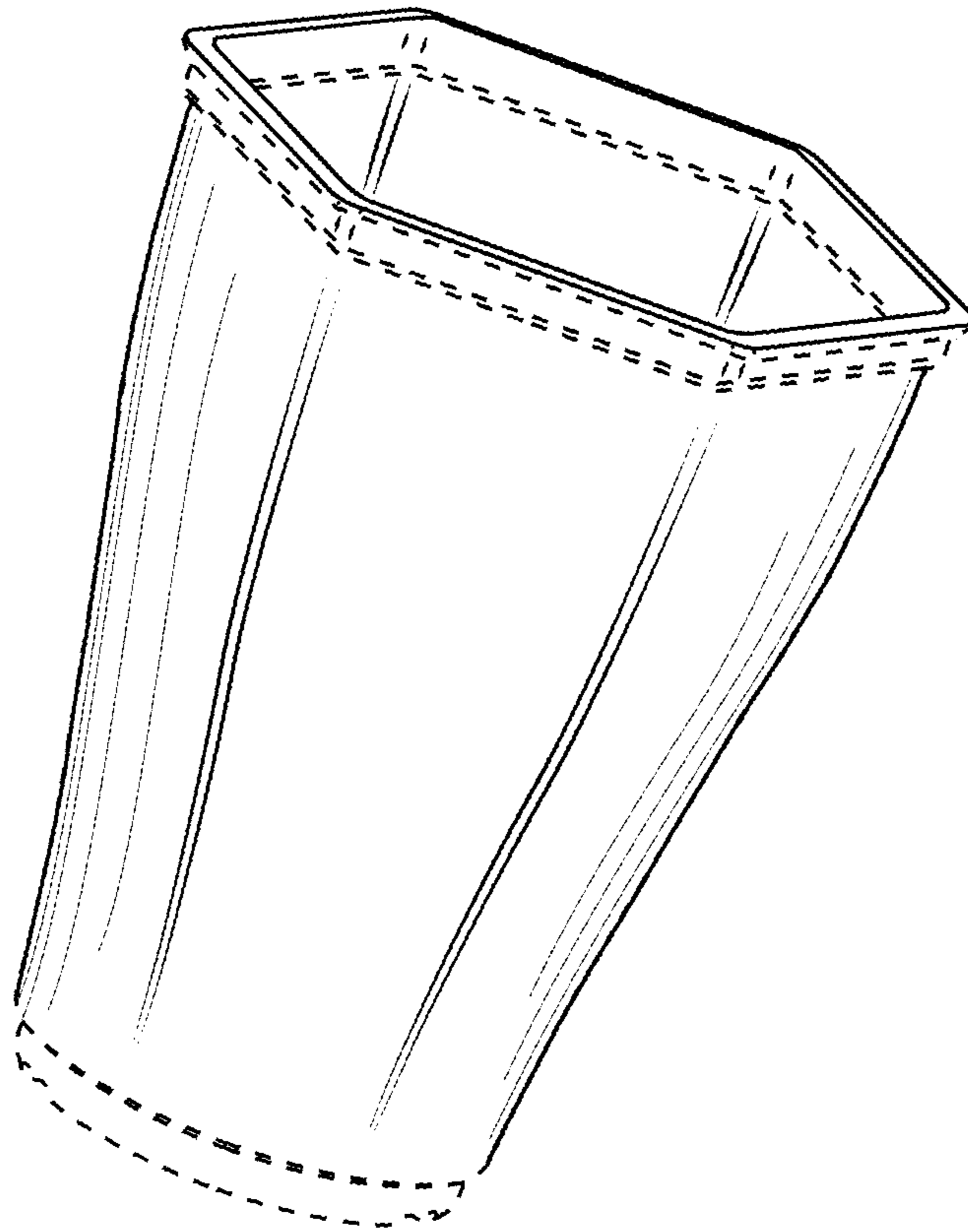


FIG. 1

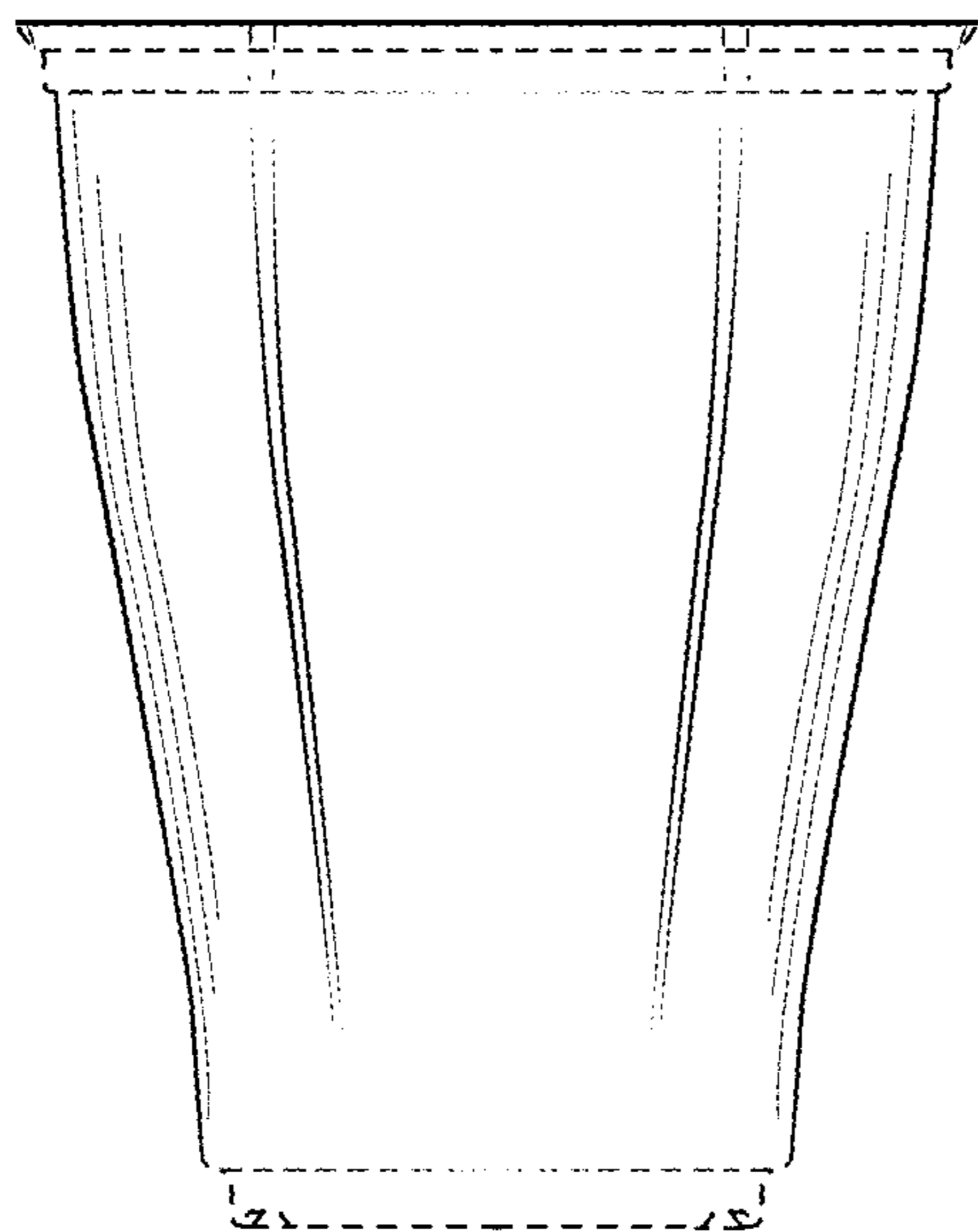


FIG. 2

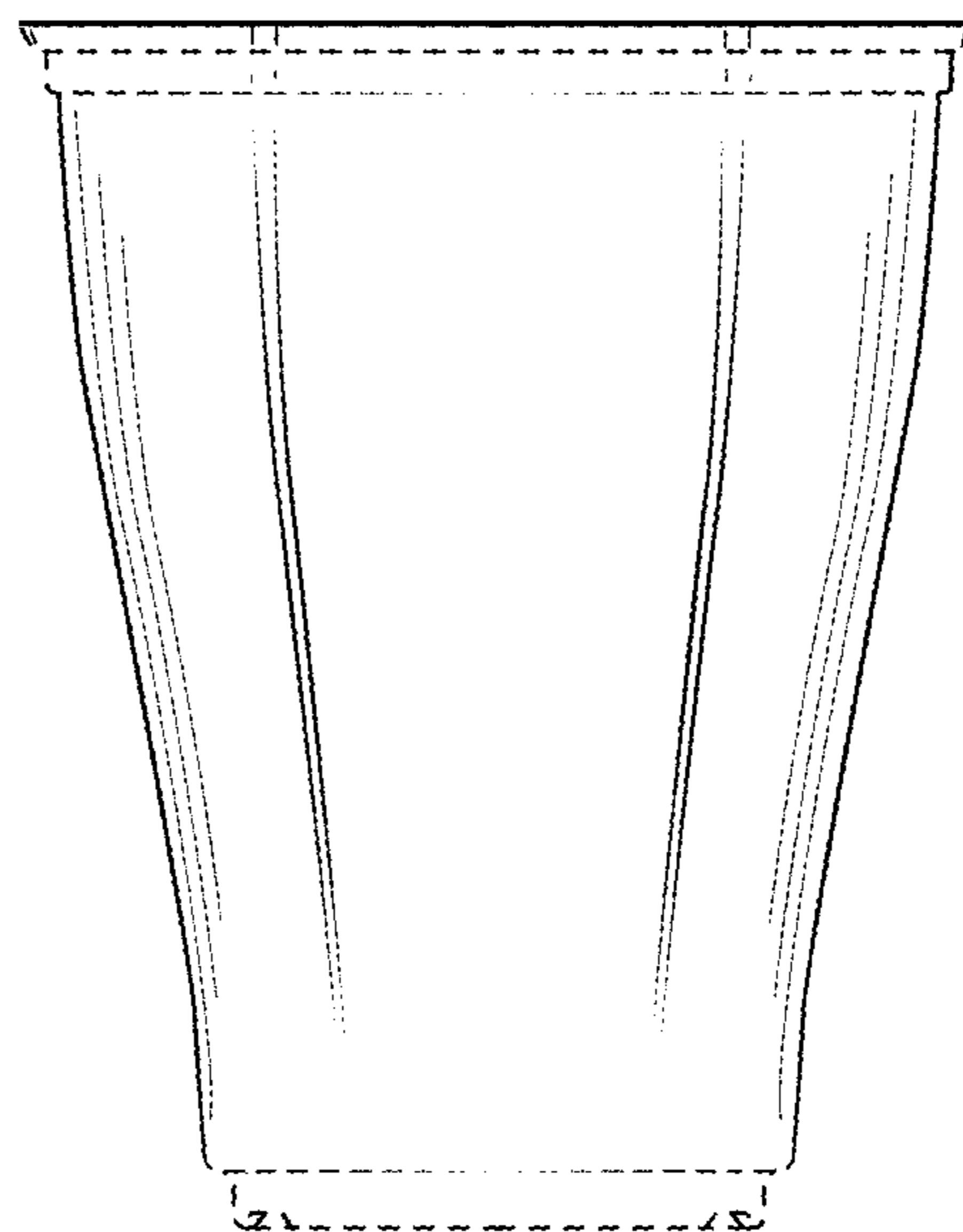


FIG. 3

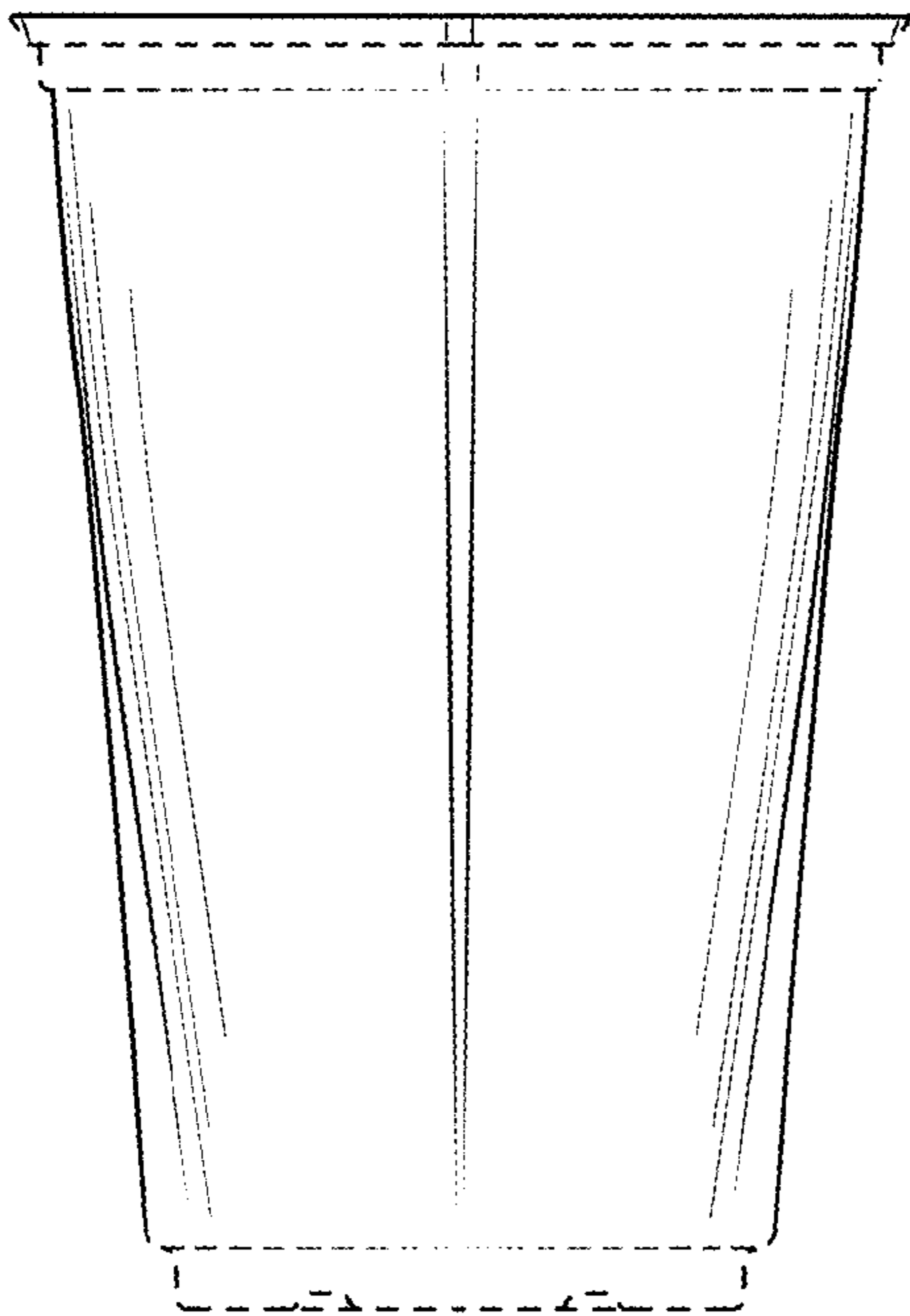


FIG. 4

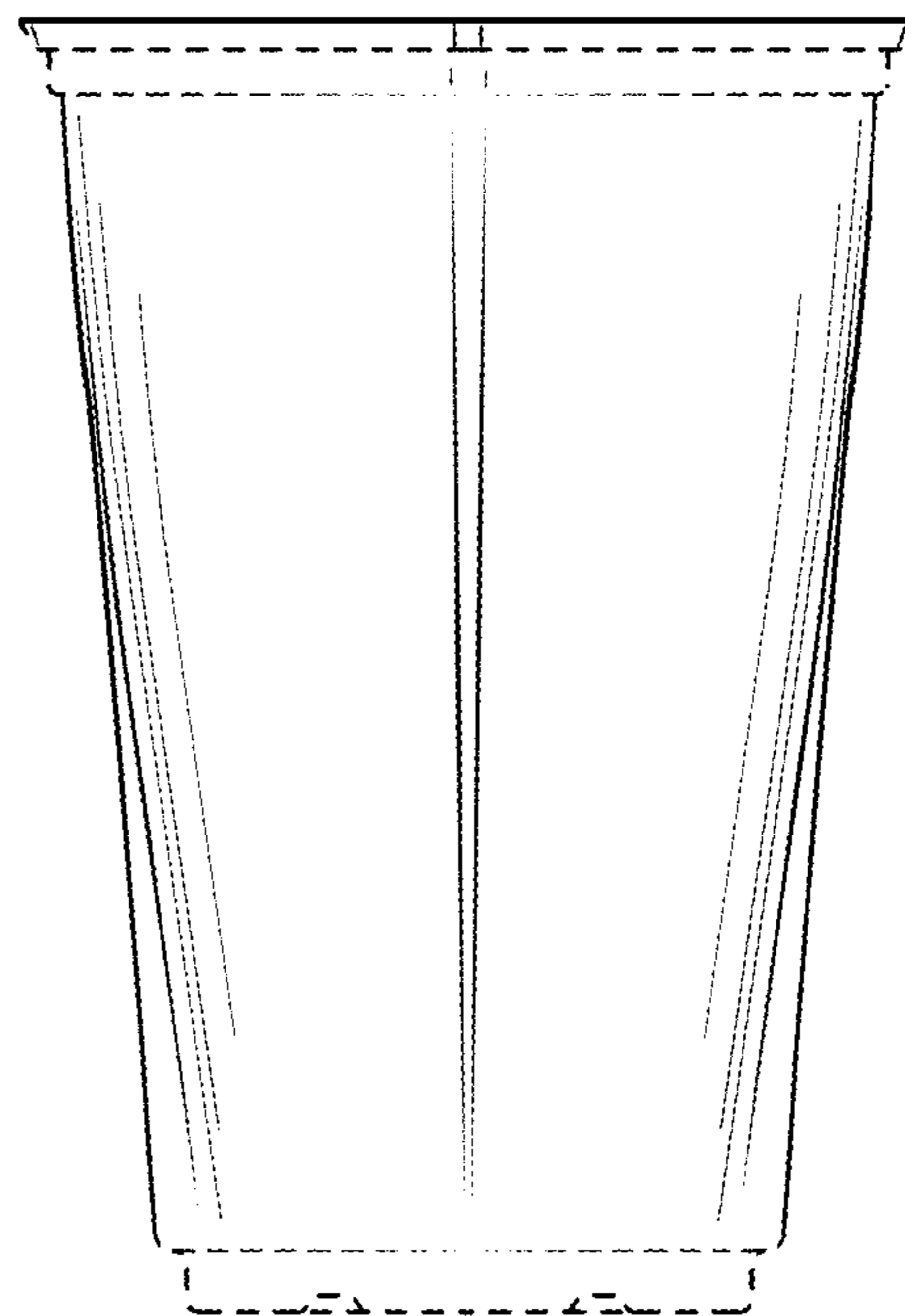


FIG. 5

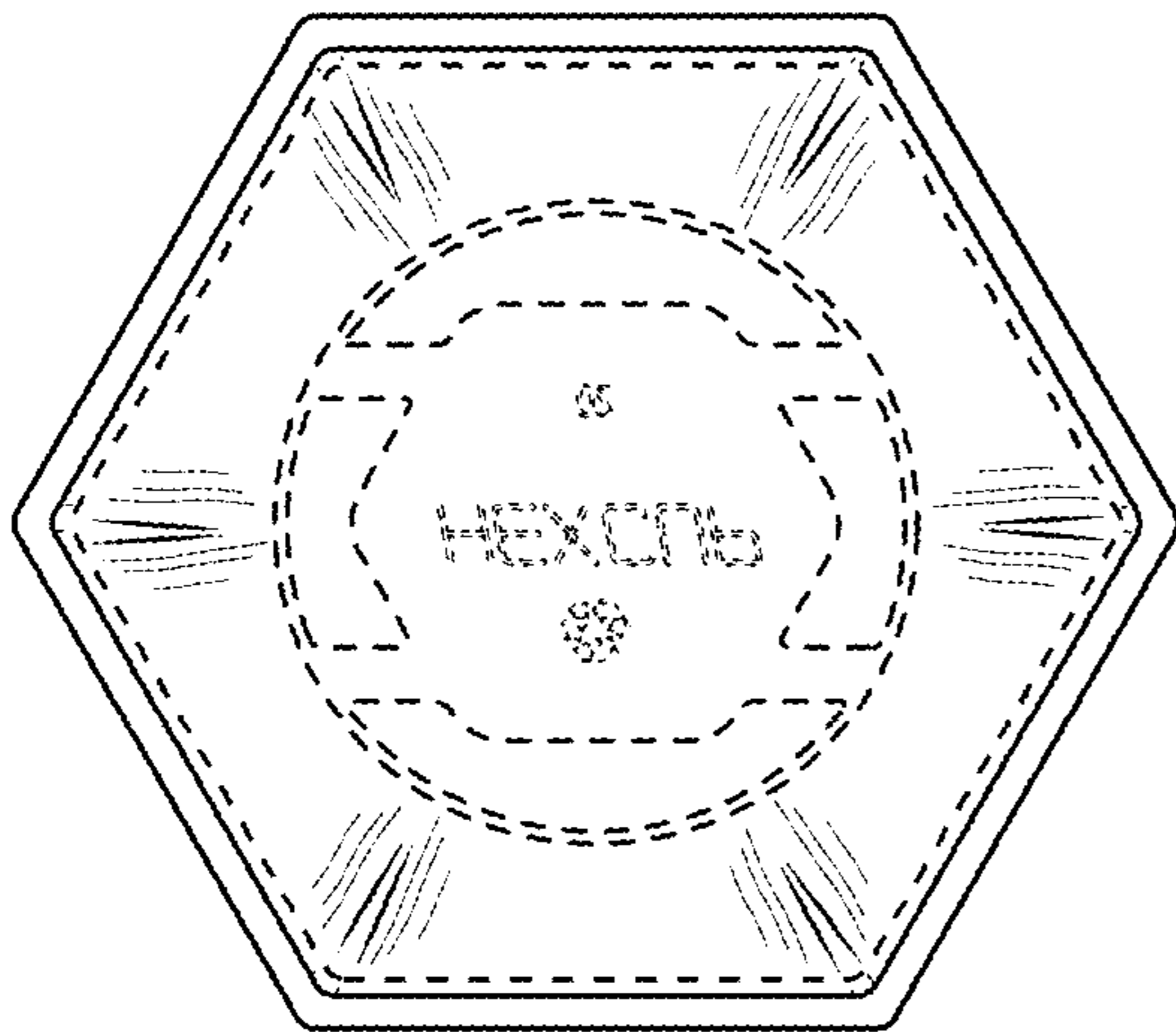


FIG. 6

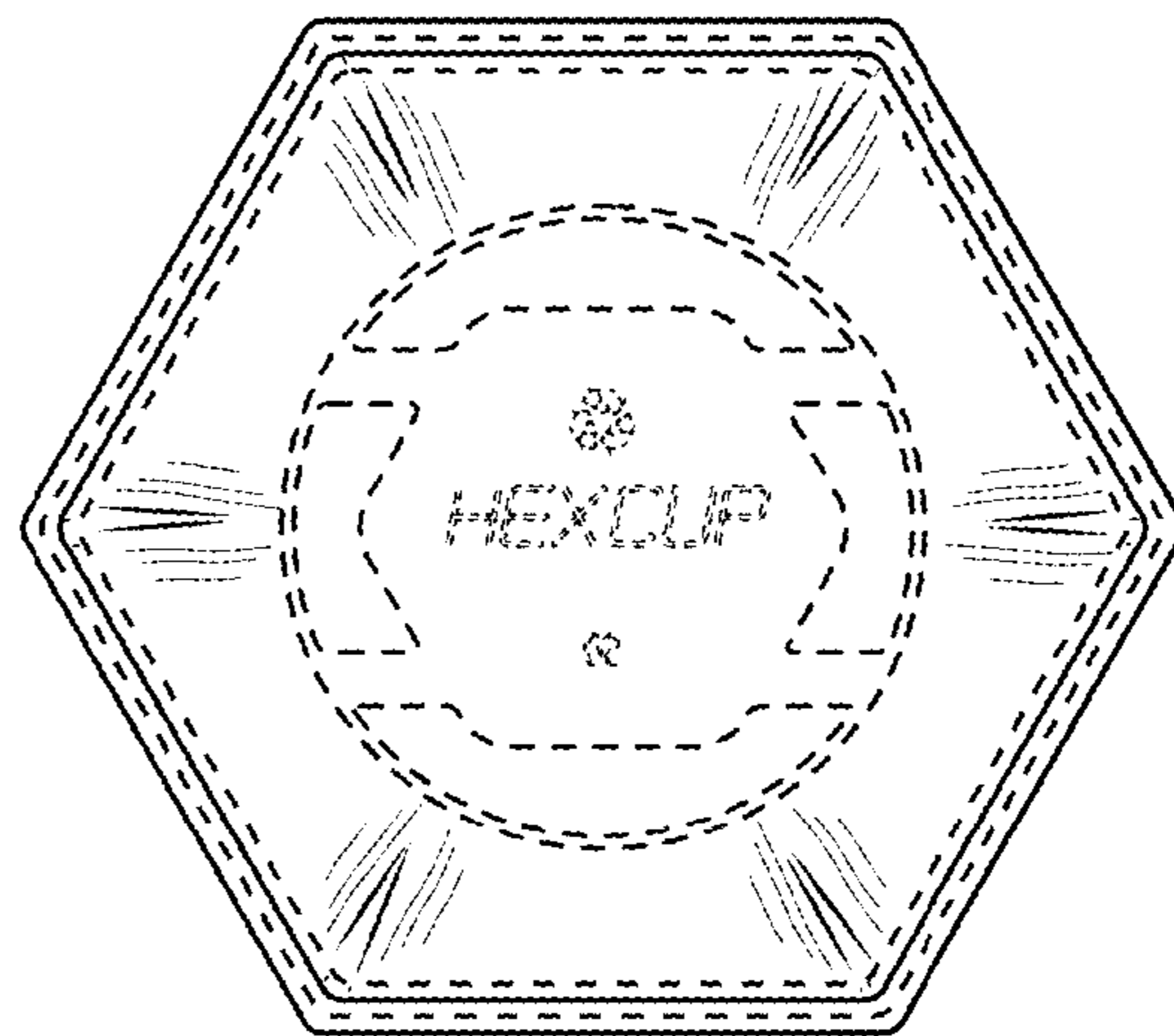


FIG. 7

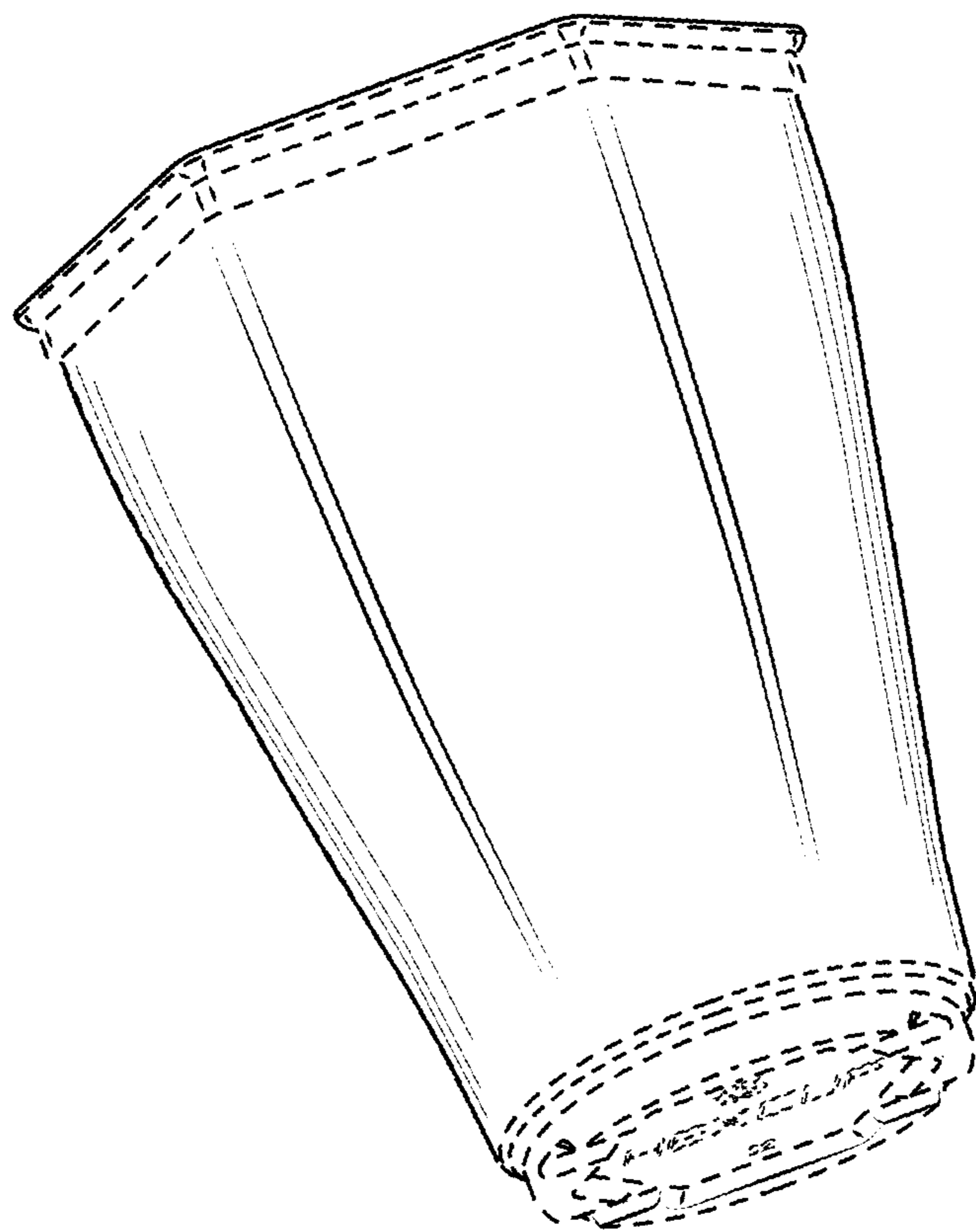


FIG. 8

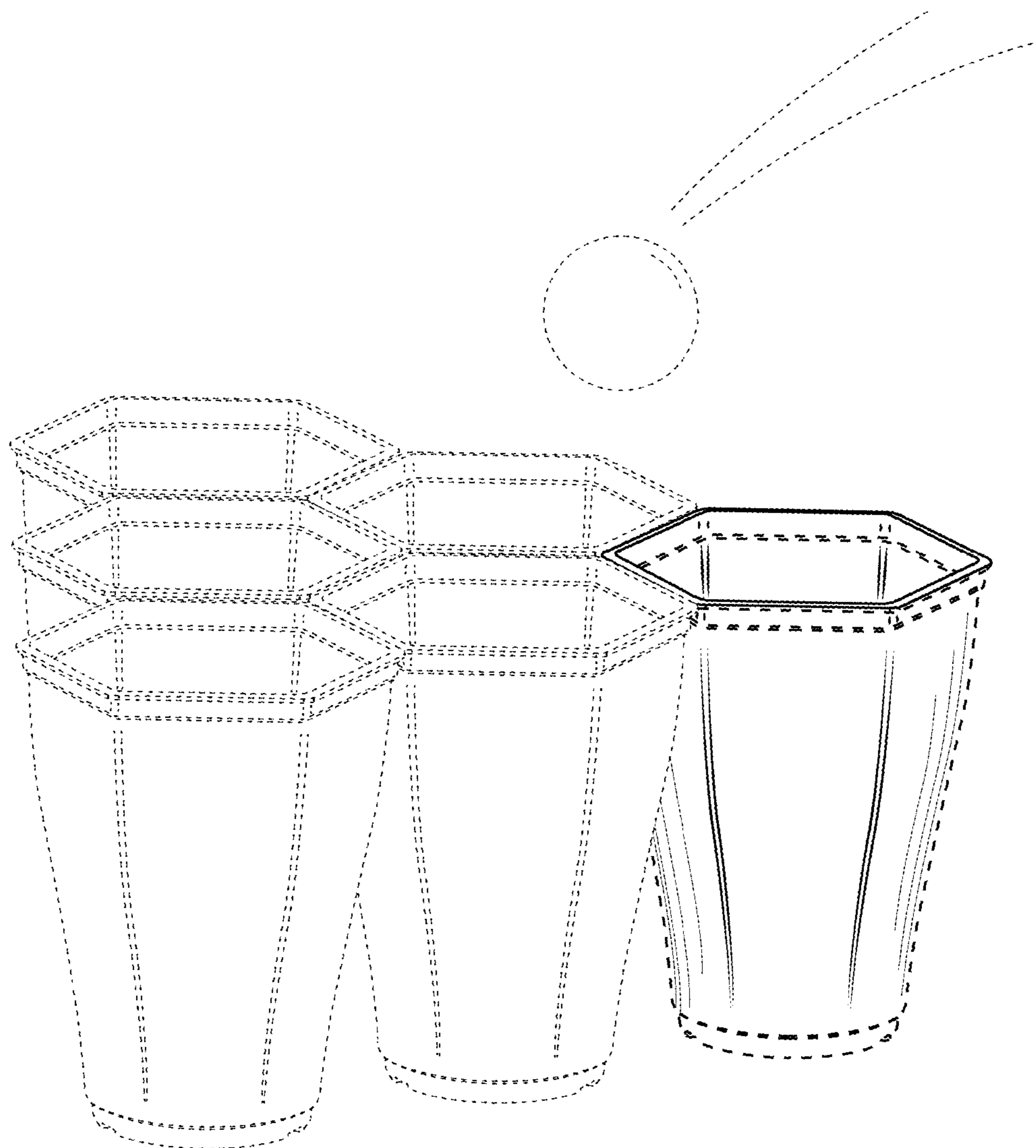


FIG. 9

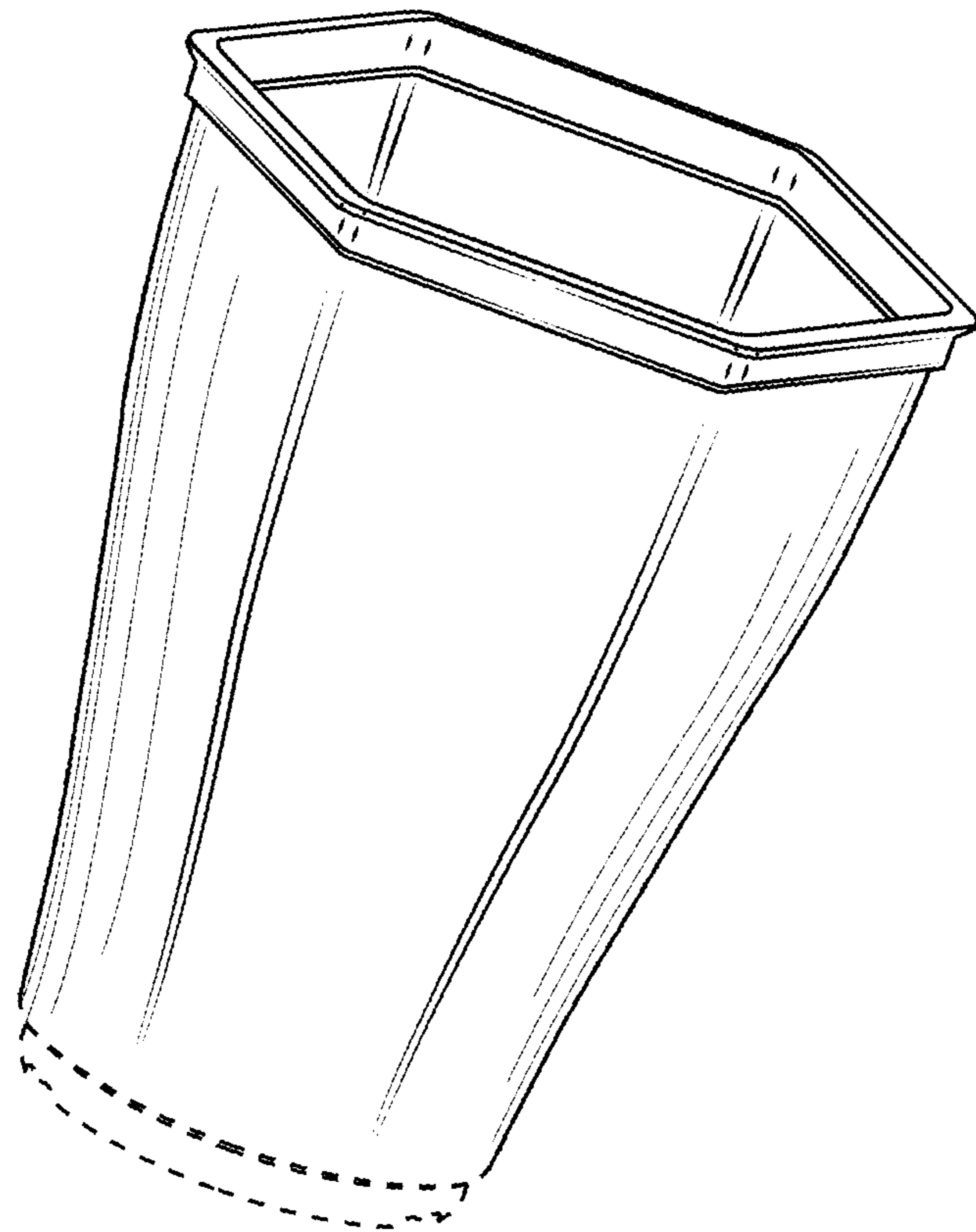


FIG. 10

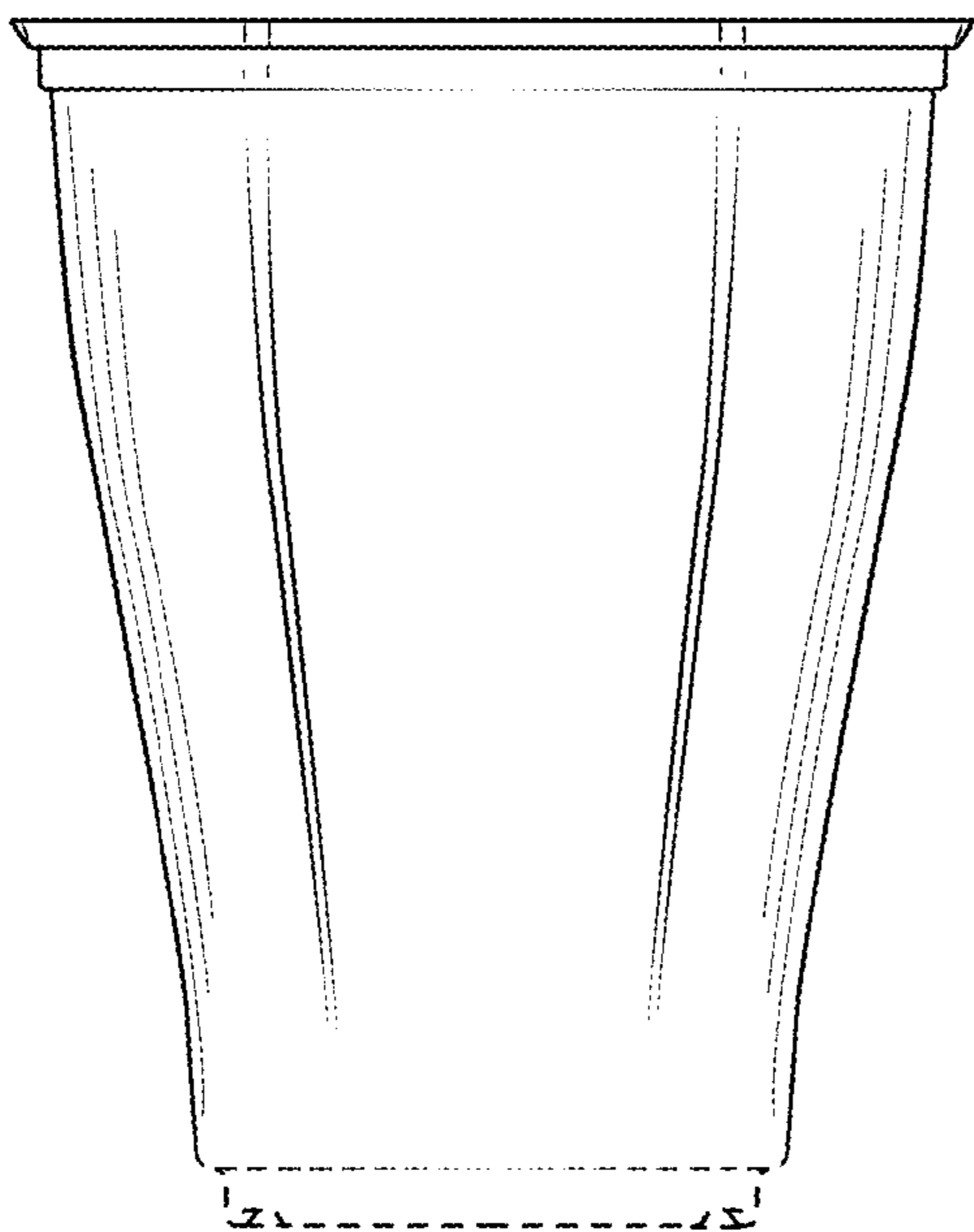


FIG. 11

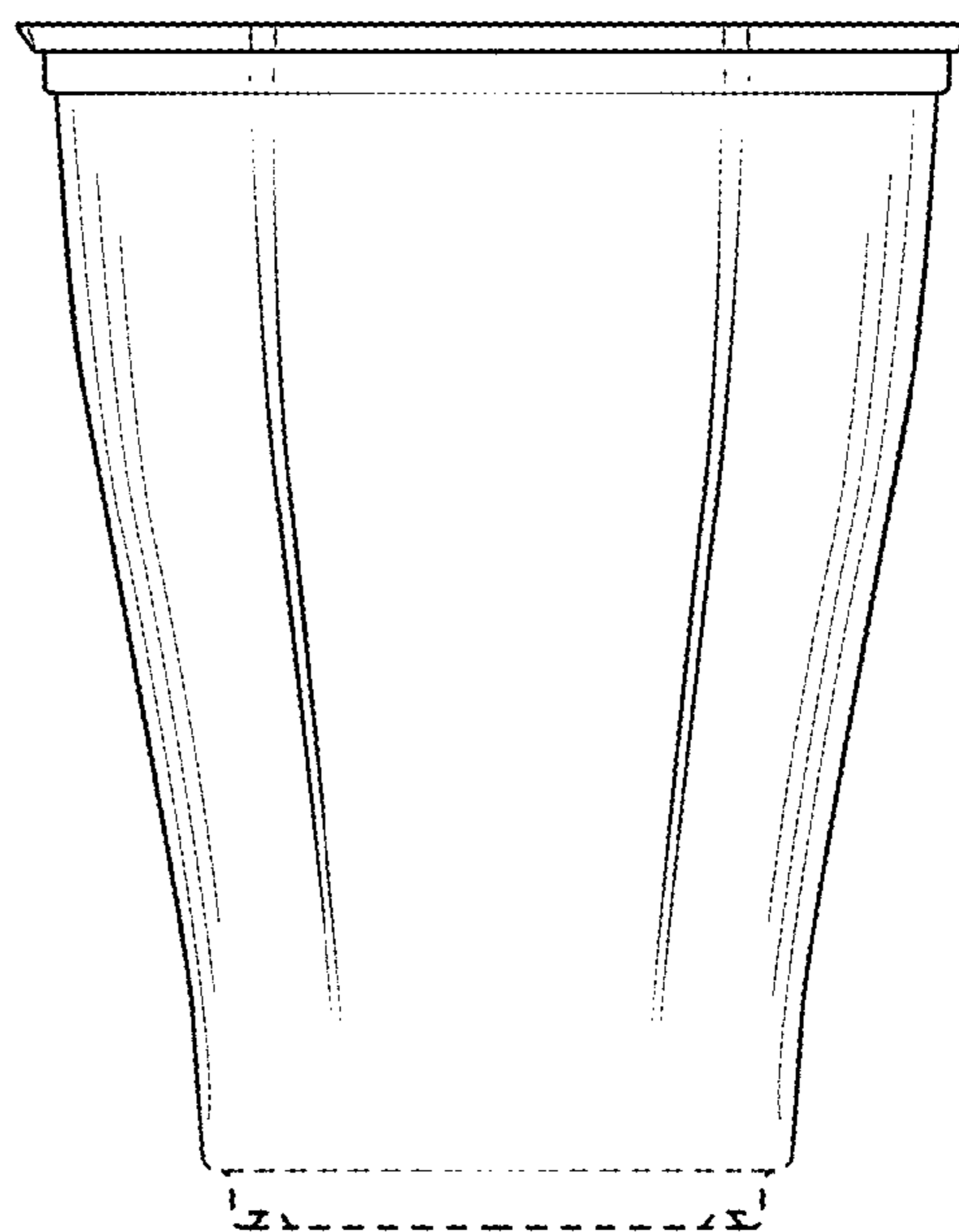


FIG. 12

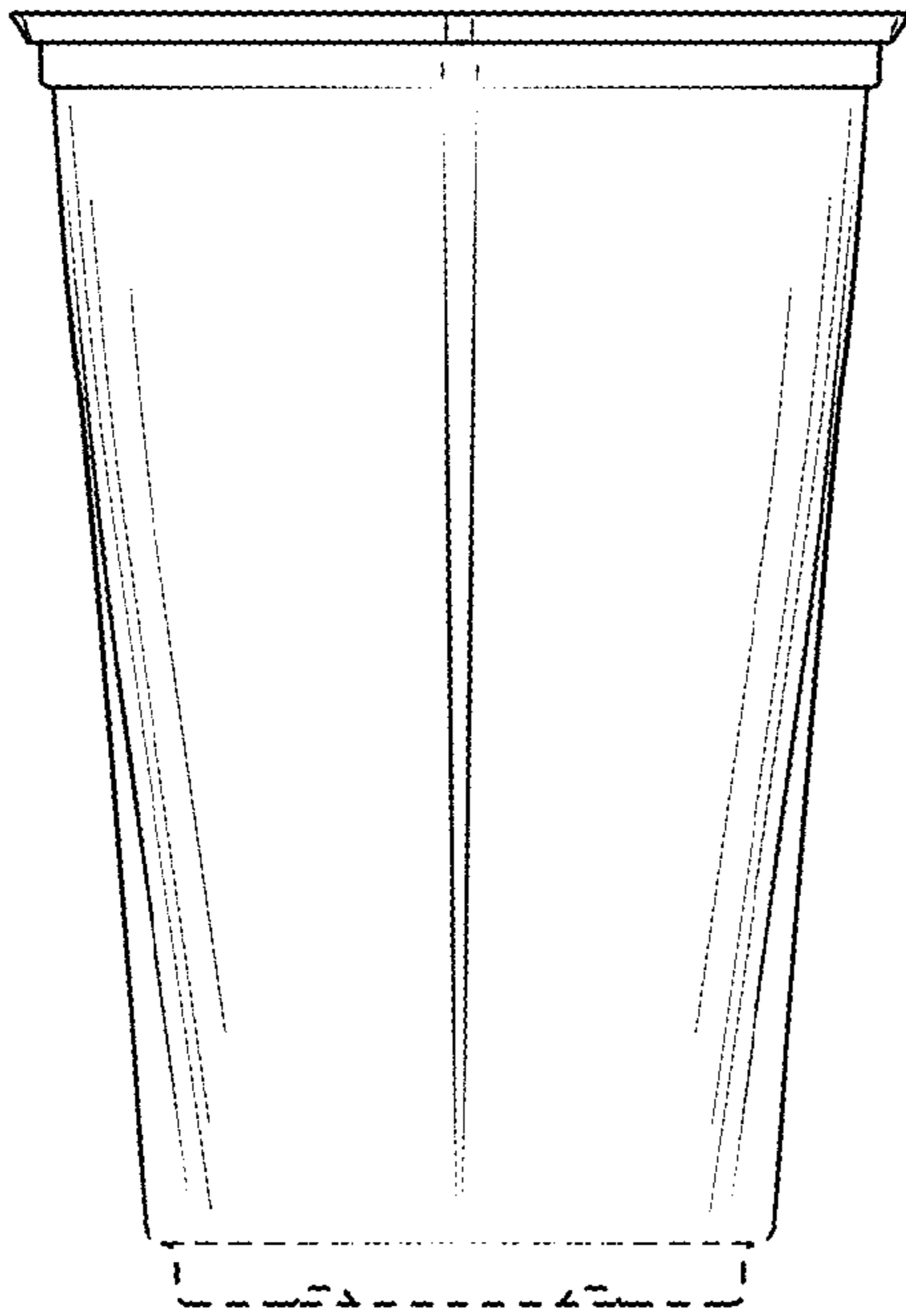


FIG. 13

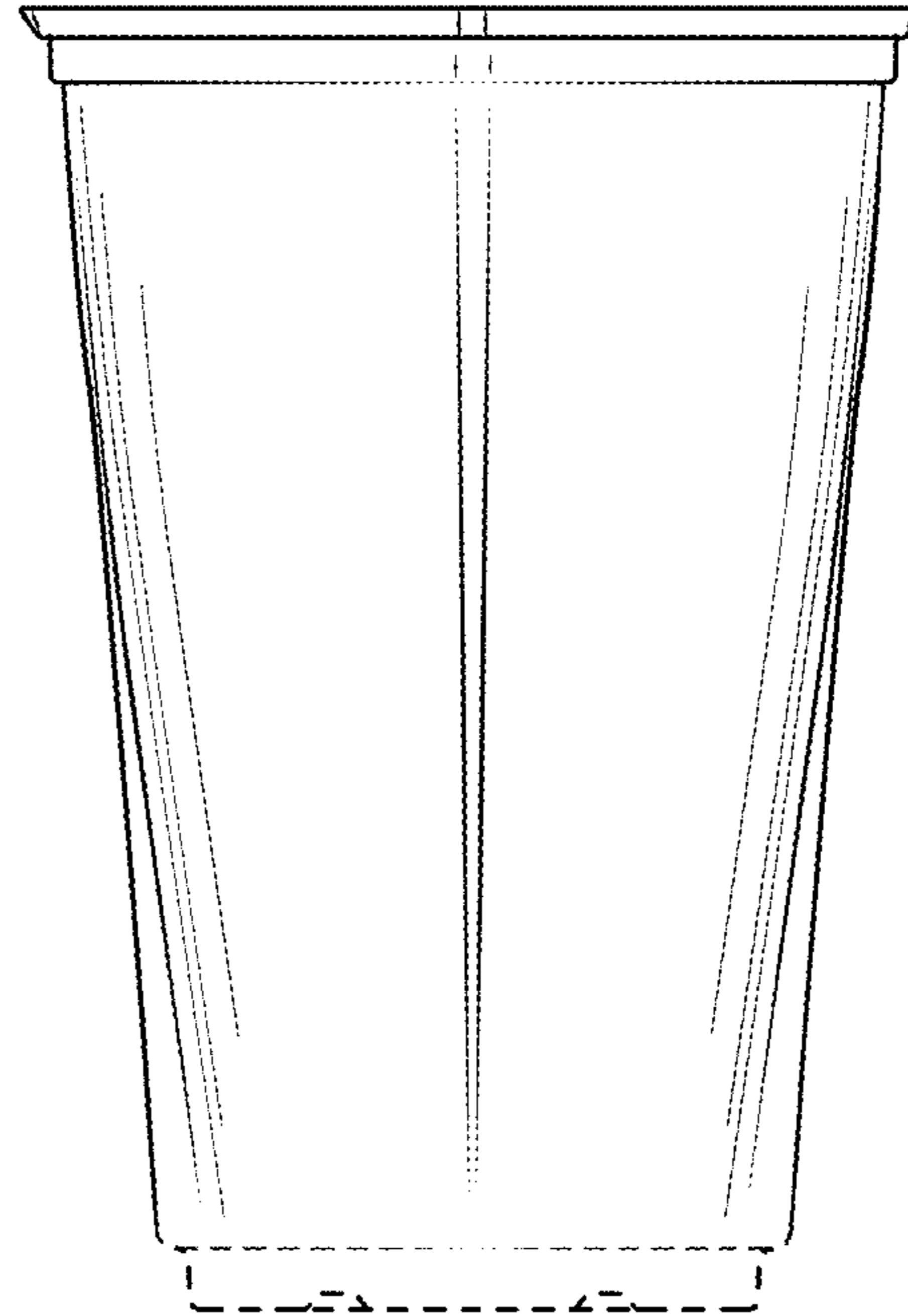


FIG. 14

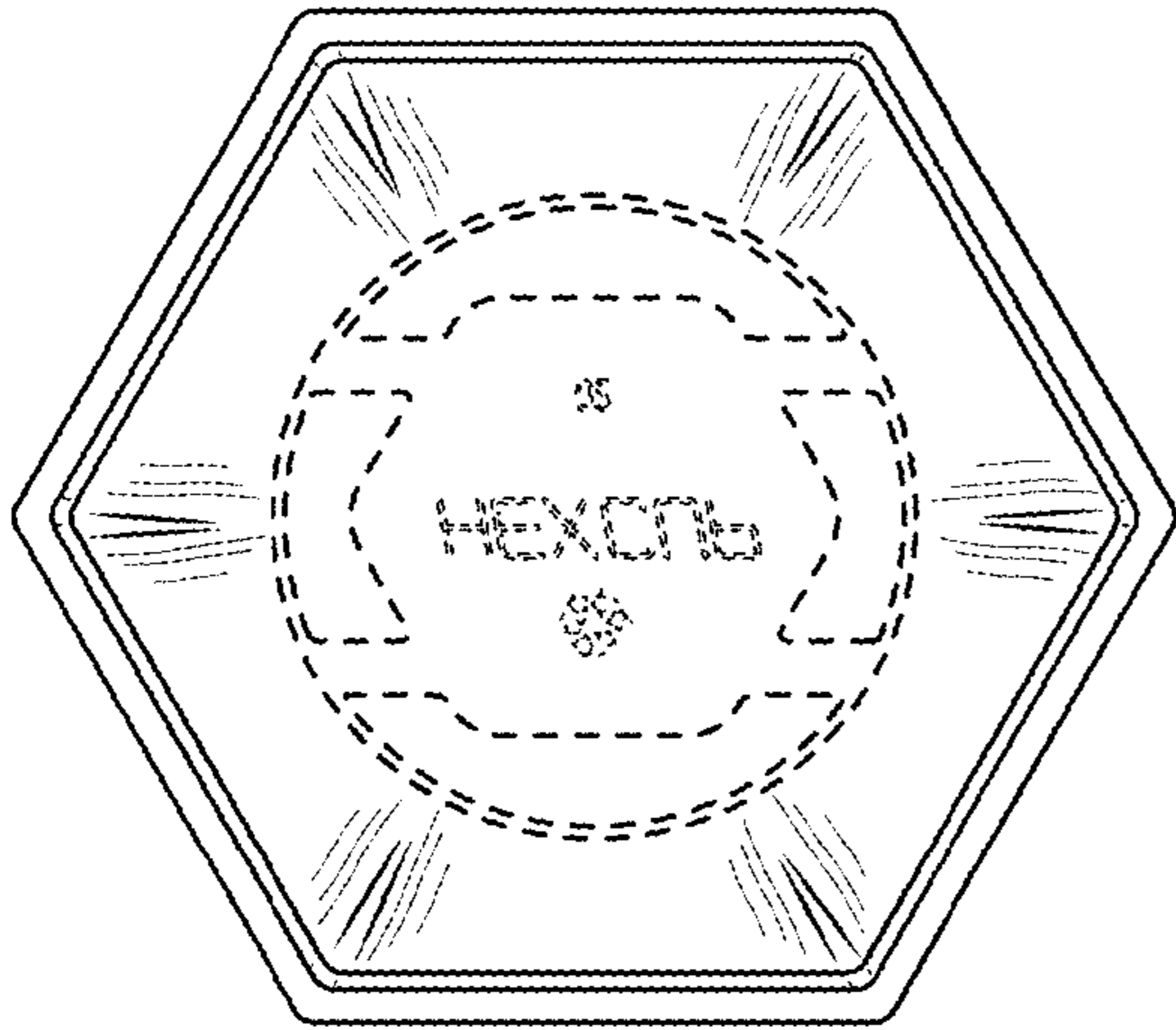


FIG. 15

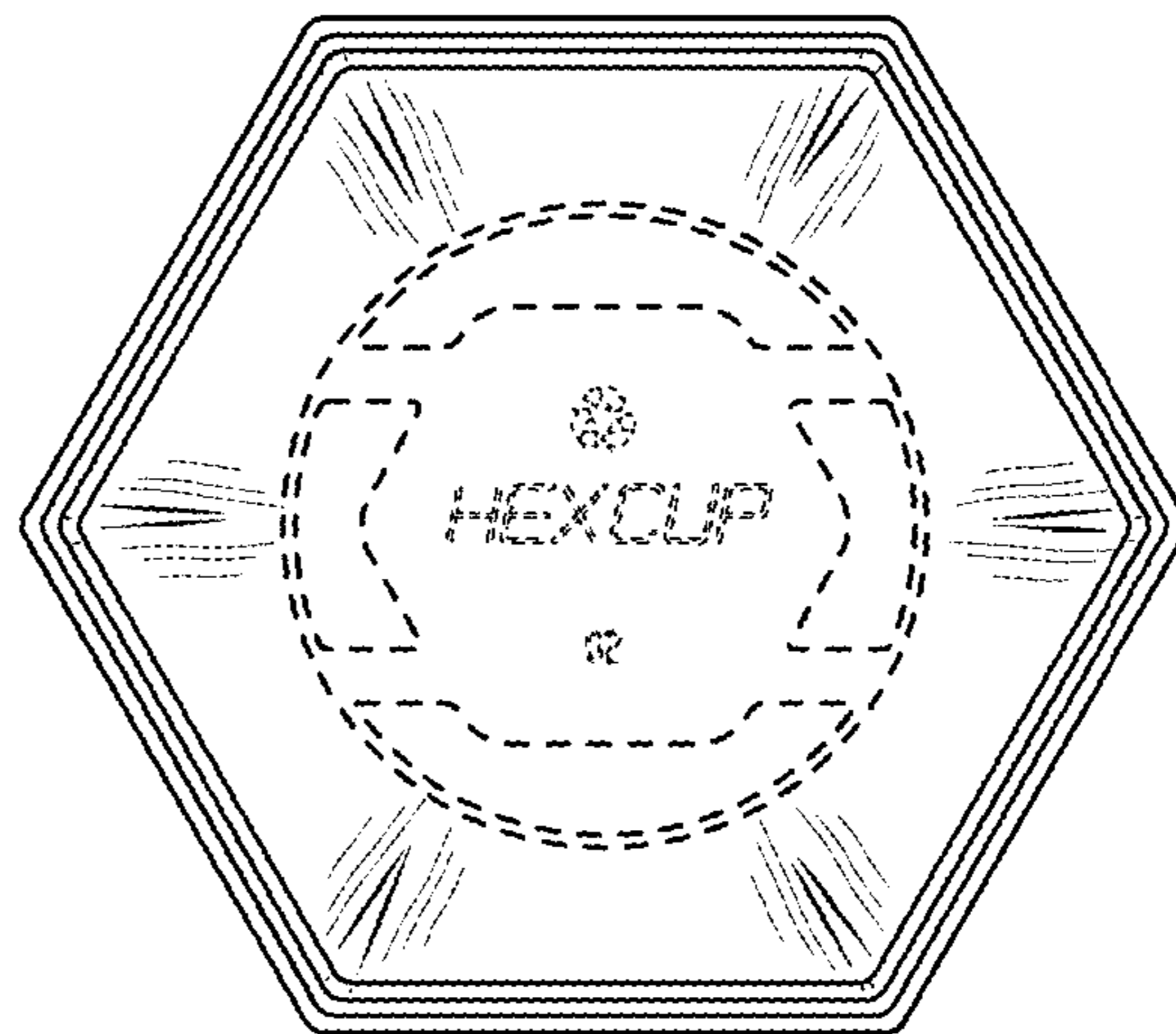


FIG. 16

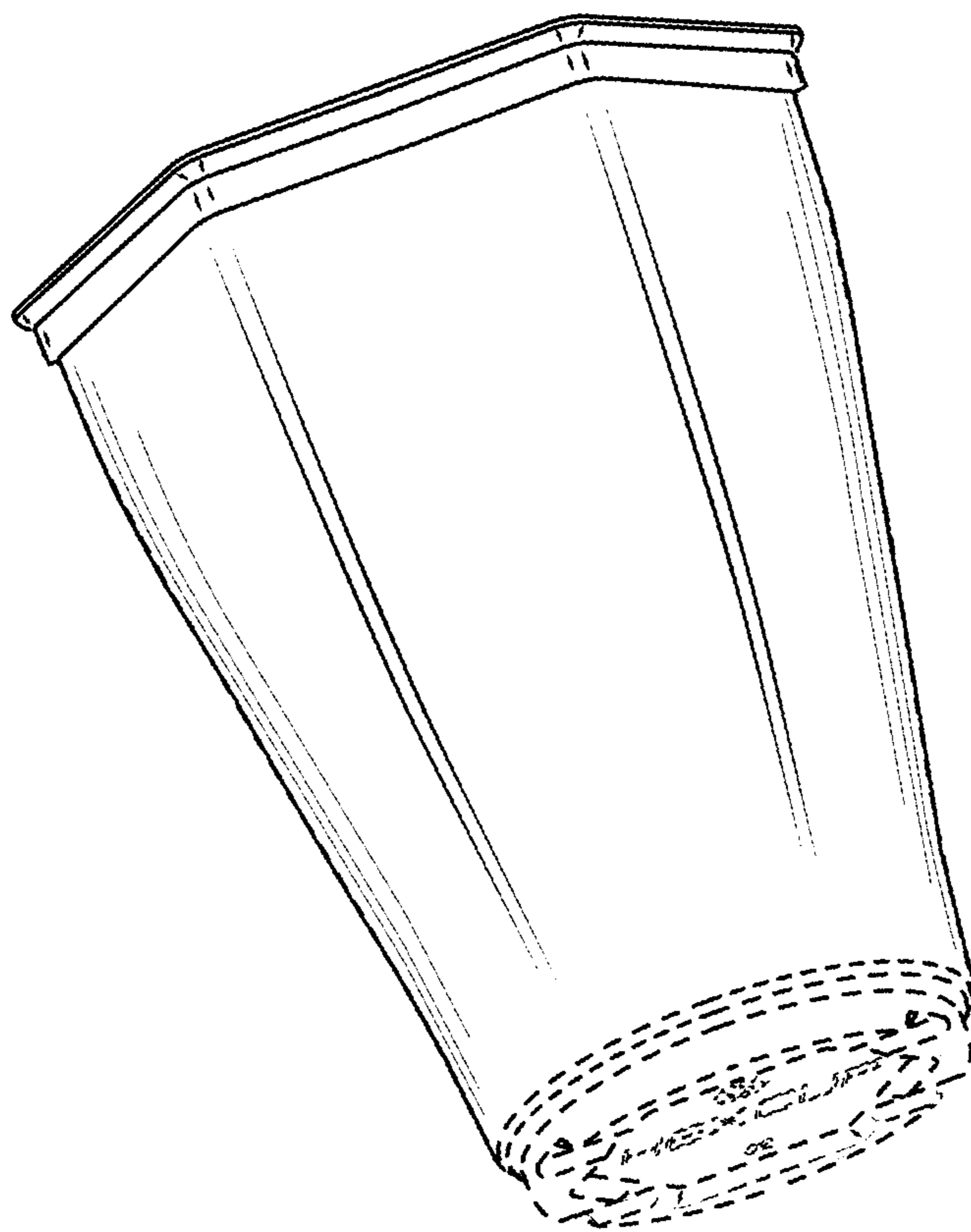


FIG. 17

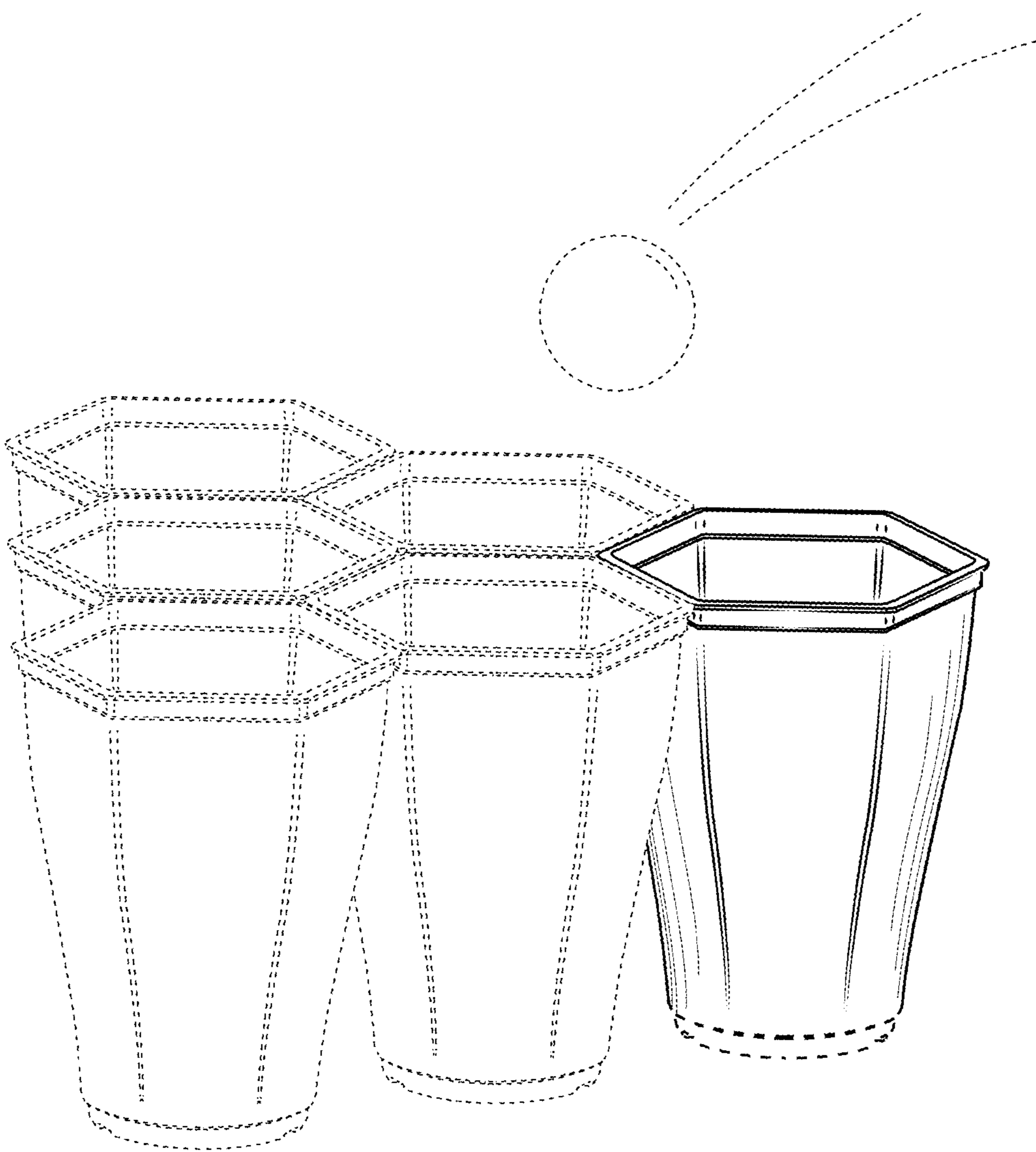


FIG. 18