

US00D769069S

(12) **United States Design Patent**
Sanbar

(10) **Patent No.:** **US D769,069 S**
(45) **Date of Patent:** **** Oct. 18, 2016**

(54) **DOUBLE WALLED CONTAINER**

(71) Applicant: **Cool Gear International, LLC**,
Plymouth, MA (US)

(72) Inventor: **Fadi Sanbar**, Billerica, MA (US)

(73) Assignee: **Cool Gear International, LLC**,
Plymouth, MN (US)

(**) Term: **15 Years**

(21) Appl. No.: **29/537,440**

(22) Filed: **Aug. 26, 2015**

(51) **LOC (10) Cl.** **07-01**

(52) **U.S. Cl.**

USPC **D7/523**; D7/510; D7/532; D7/507

(58) **Field of Classification Search**

USPC D7/507, 509, 510, 511, 513, 523, 529,
D7/532, 533, 534, 300, 300.1, 591, 608,
D7/392, 392.1, 396.1, 396.2, 900, 394,
D7/393, 300.2; D9/500, 501, 502, 503,
D9/504, 516, 517, 525, 435, 436, 440, 442,
D9/443, 449, 434, 556, 438, 538, 447, 445,
D9/563, 554, 550, 546, 545, 446, 455,
D9/415; D3/202; 222/480, 507, 546, 548,
222/553; 220/210, 212.5, 703, 709, 711,
220/523, 288, 710.5, 717, 200; 215/12.1,
215/216, 11.4, 11.5, 11.1; 40/310, 324;
D19/20; D20/18, 19, 22; D8/394;
D24/197

CPC B65D 23/02; B65D 39/0052; B65D
39/0082; B65D 39/0076; B65D 39/007;
B65D 43/0277; B65D 43/0279; B65D
43/0285; B65D 43/12; B65D 23/06; A61J
2205/20; A61J 2200/72; A61J 9/02; A61J
9/08; B67D 1/16

See application file for complete search history.

(56) **References Cited**

U.S. PATENT DOCUMENTS

2,563,352 A 8/1951 Morse
D208,872 S * 10/1967 Davis D7/531

(Continued)

FOREIGN PATENT DOCUMENTS

JP 6-156487 A 6/1994

OTHER PUBLICATIONS

“Iced Coffee Cup, 16 oz. Eco Cup on Ice,” retrieved on Apr. 14,
2015 at <<http://www.amazon.com/Iced-Coffee-Cup-Eco-Ice/dp/B003WWUCOC>>, 6 pages.

(Continued)

Primary Examiner — Marianne Pandozzi

Assistant Examiner — Jae Liang

(74) *Attorney, Agent, or Firm* — Mintz Levin Cohn Ferris
Glovsky and Popeo, P.C.; Steven M. Jensen

(57) **CLAIM**

The ornamental design for a double walled container, as
shown.

DESCRIPTION

FIG. 1 is a top, front, right perspective view of a first
embodiment of a double walled container showing my new
design;

FIG. 2 is a front view thereof;

FIG. 3 is a rear view thereof;

FIG. 4 is a right side view thereof;

FIG. 5 is a left side view thereof;

FIG. 6 is a top view thereof;

FIG. 7 is a bottom view thereof;

FIG. 8 is a top, front, right perspective view of a second
embodiment of a double walled container showing my new
design;

FIG. 9 is a front view thereof;

FIG. 10 is a rear view thereof;

FIG. 11 is a right side view thereof;

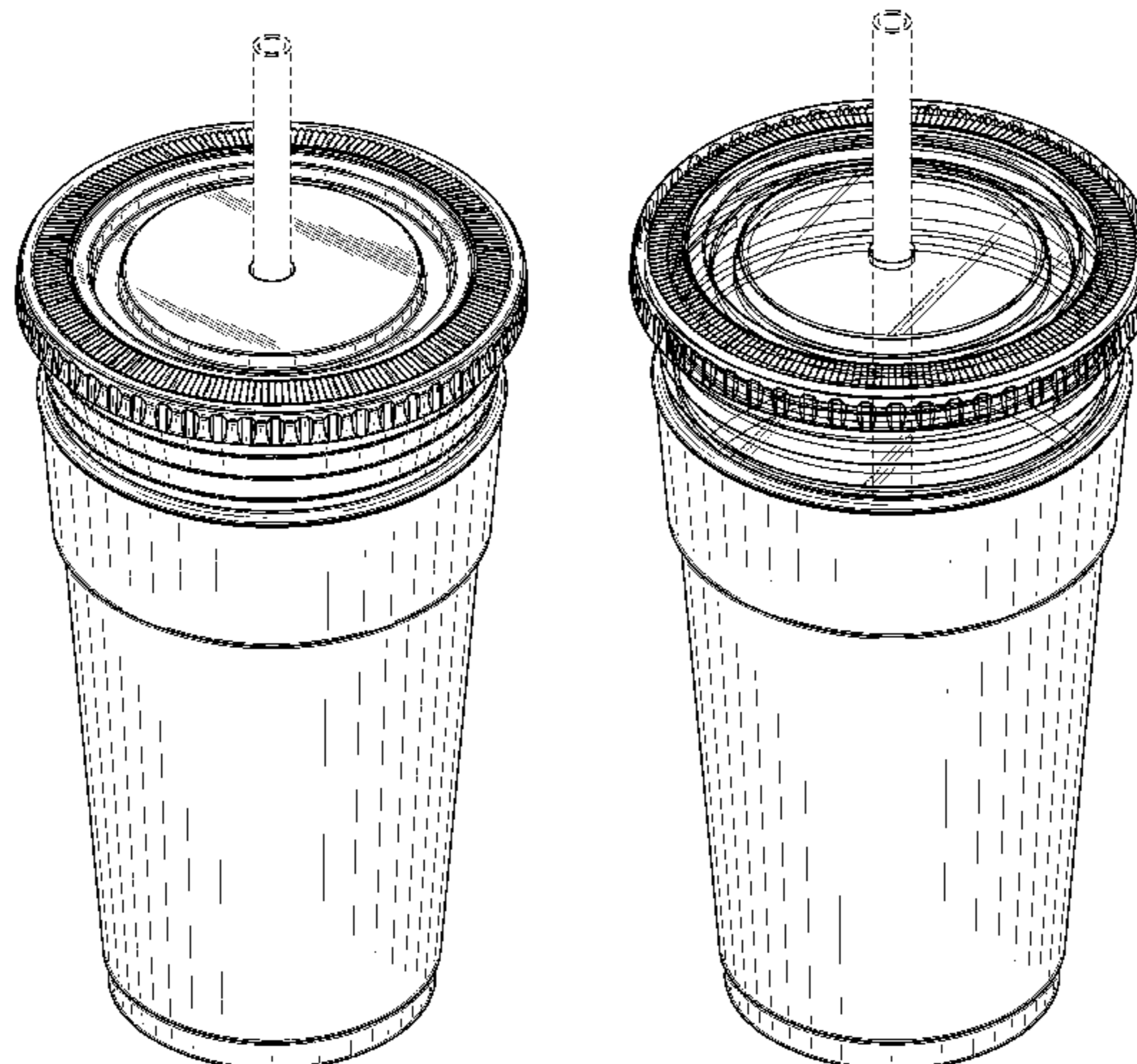
FIG. 12 is a left side view thereof;

FIG. 13 is a top view thereof; and,

FIG. 14 is a bottom view thereof.

The broken lines in the drawing depict portions of the double
walled container that form no part of the claimed design.

1 Claim, 12 Drawing Sheets



(56)

References Cited

U.S. PATENT DOCUMENTS

3,349,950 A * 10/1967 Wanderer B65D 1/26
220/287
3,375,954 A * 4/1968 Honkanen B65D 1/265
206/520
3,471,075 A * 10/1969 Wolf B65D 1/265
206/519
3,827,925 A 8/1974 Douglas
D272,794 S * 2/1984 Dart D7/532
D345,676 S 4/1994 Biffle
D446,687 S * 8/2001 Furman D7/509
6,419,108 B1 7/2002 Toida et al.
7,270,244 B1 9/2007 Liu
7,699,216 B2 4/2010 Smith et al.
D640,094 S 6/2011 Carlson et al.
D648,985 S 11/2011 Chiu et al.
8,087,538 B2 1/2012 Andrews et al.
D658,443 S * 5/2012 Chiu D7/507
D673,421 S 1/2013 Chiu et al.
D682,035 S * 5/2013 Monugian D7/523
D688,521 S 8/2013 Lees
D688,523 S * 8/2013 Lees D7/510
8,608,016 B2 12/2013 Chiu et al.
D697,366 S * 1/2014 Kristinik D7/392.1
D705,609 S * 5/2014 Keyes D7/523
D717,605 S * 11/2014 Kristinik D7/532
D717,606 S * 11/2014 Kristinik D7/532
D721,249 S 1/2015 Kienle

D732,343 S * 6/2015 Romley D7/532
D736,034 S * 8/2015 Spivey D7/510
D743,206 S * 11/2015 Pendleton D7/509
D755,013 S * 5/2016 Khubani D7/507
D756,709 S * 5/2016 Weitman D7/509
2003/0029876 A1 2/2003 Giraud
2005/0189361 A1* 9/2005 Bresler B65D 1/265
220/703
2008/0087677 A1 4/2008 Robertson et al.
2009/0045194 A1 2/2009 Rhee
2012/0247998 A1* 10/2012 Wahl B65D 1/265
206/459.5
2013/0341339 A1 12/2013 Savage
2014/0263368 A1 9/2014 Booska
2015/0014333 A1 1/2015 Greer
2015/0265078 A1* 9/2015 Goosman A47G 19/2222
220/707

OTHER PUBLICATIONS

“Double Wall Multi-Color Plastic Cup with Screw on Lid,”
retrieved on Apr. 14, 2015 at <http://www.alibaba.com/product-detail/double-wall-multi-color-plastic-cup_60158220495.html>, 9
pages.
“Acs-015 Double Wall Plastic Cup with Screw-on Lid Photo,”
retrieved on Apr. 14, 2015 at <http://www.alibaba.com/product-detail/ACS-015-double-wall-plastic-cup_613073101/showimage.html>, 2 pages.

* cited by examiner

FIG. 1

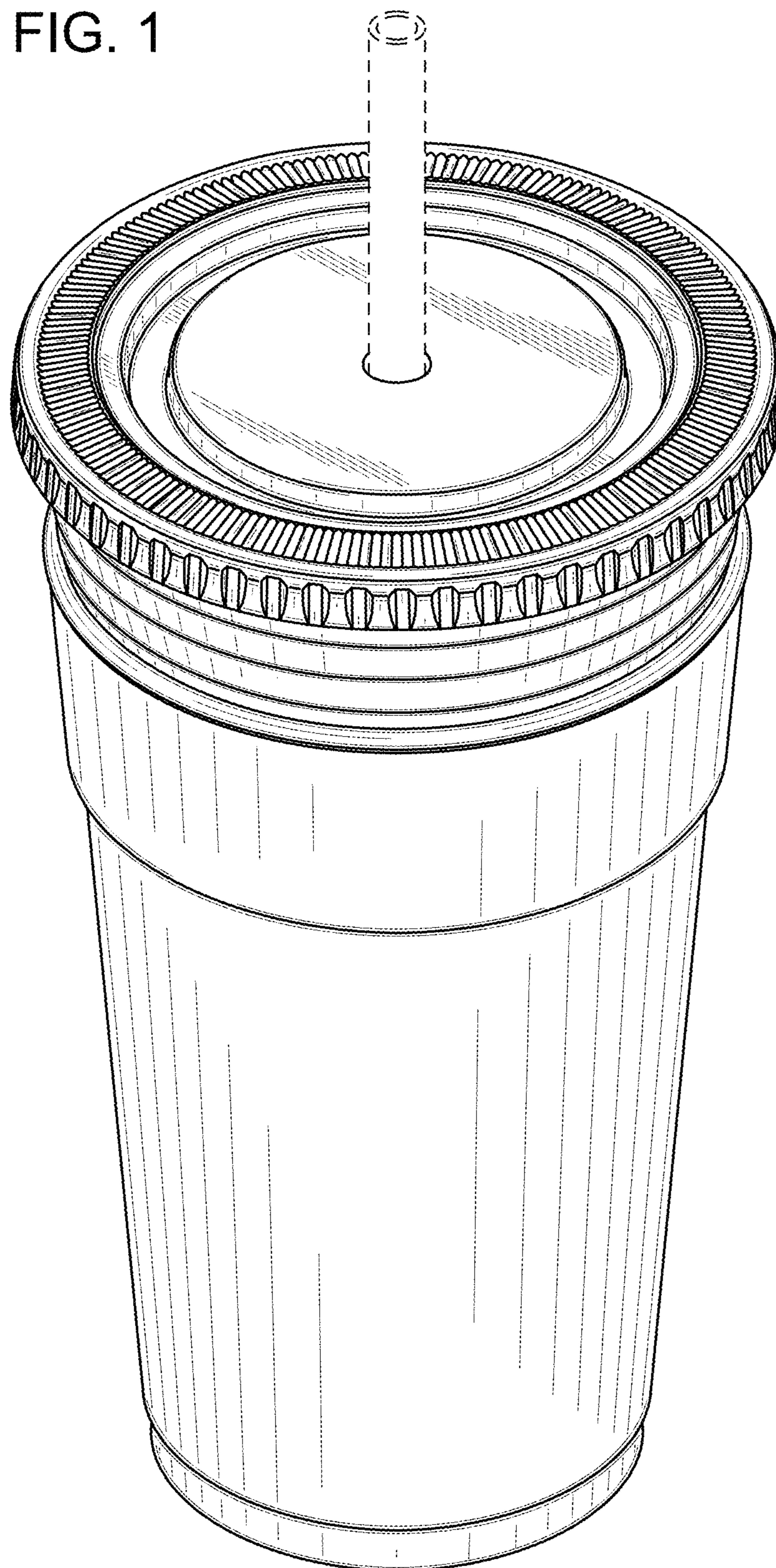


FIG. 2

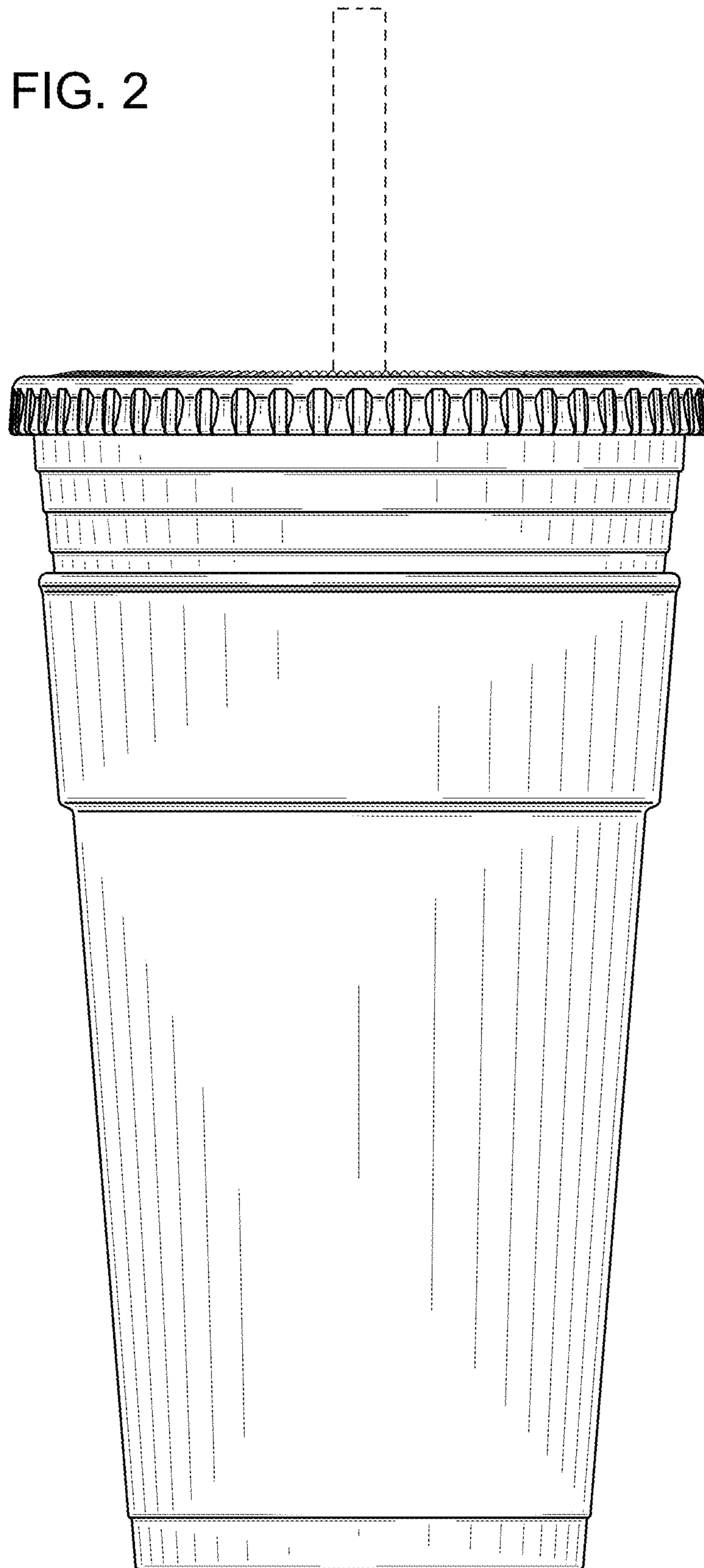


FIG. 3

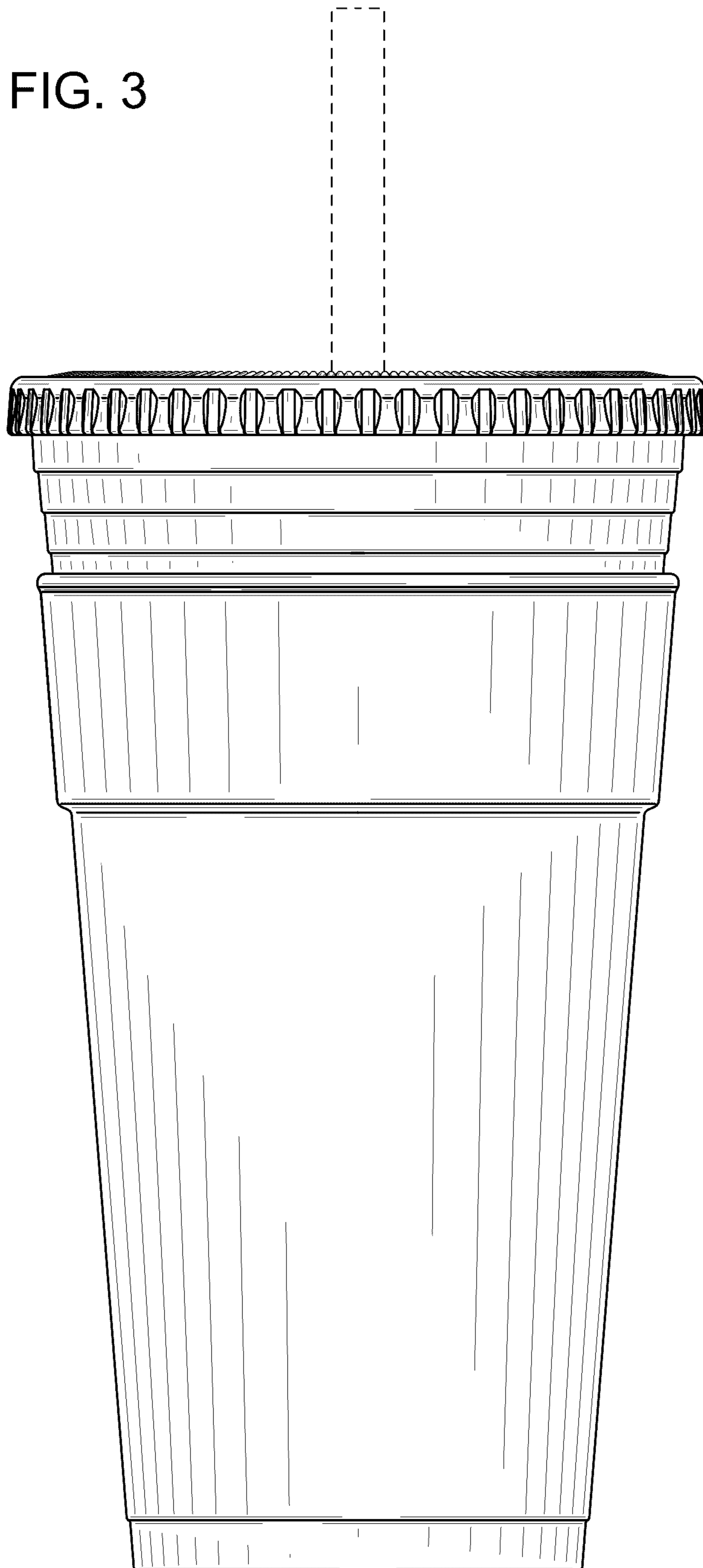


FIG. 4

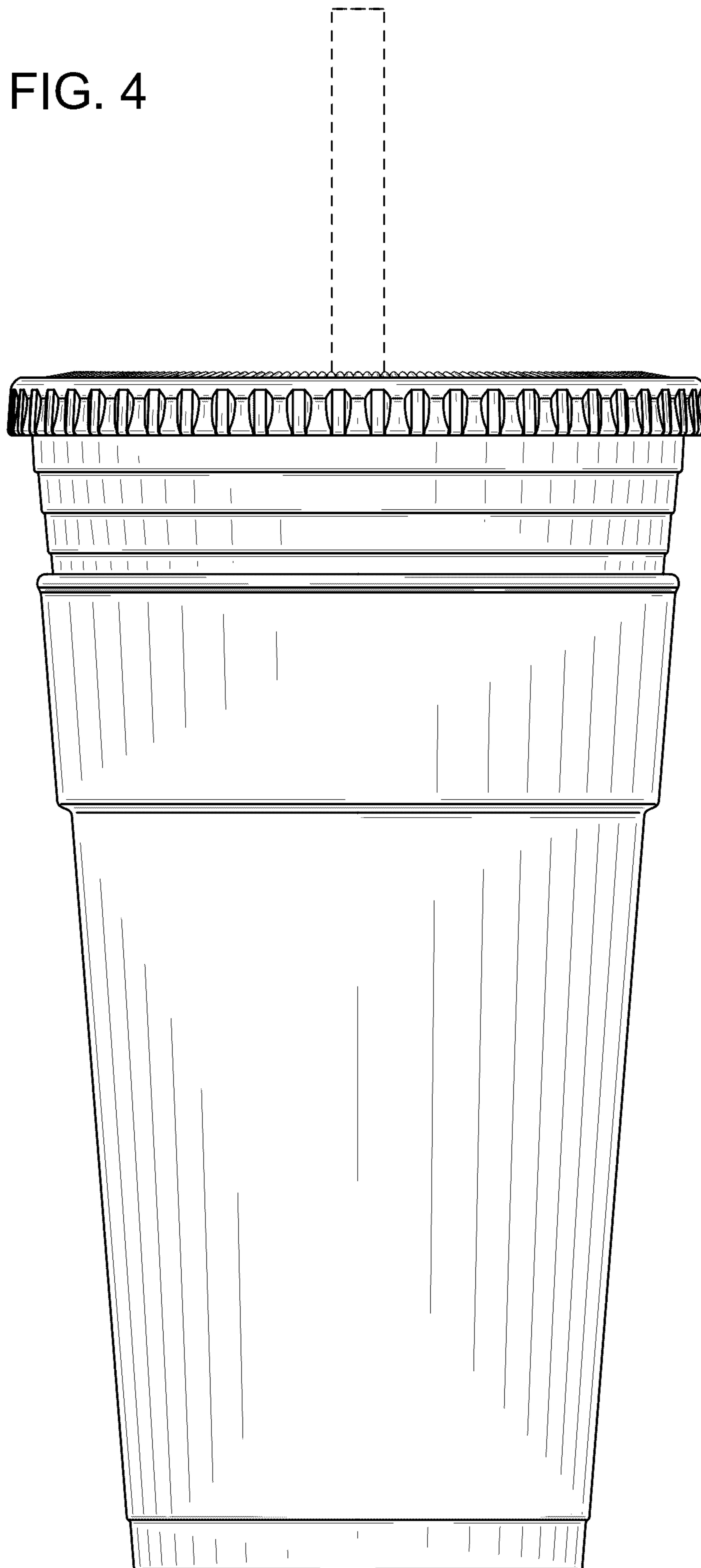


FIG. 5

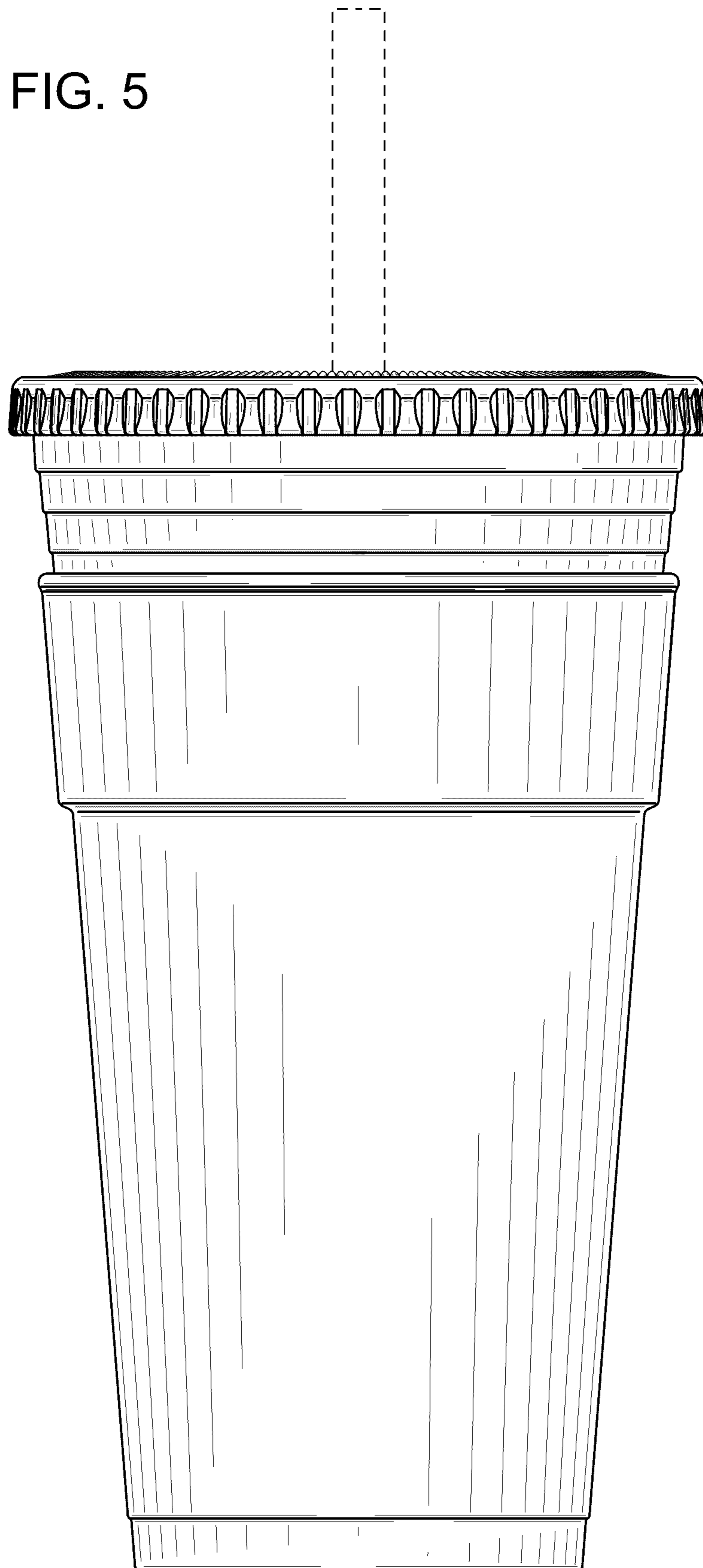


FIG. 6

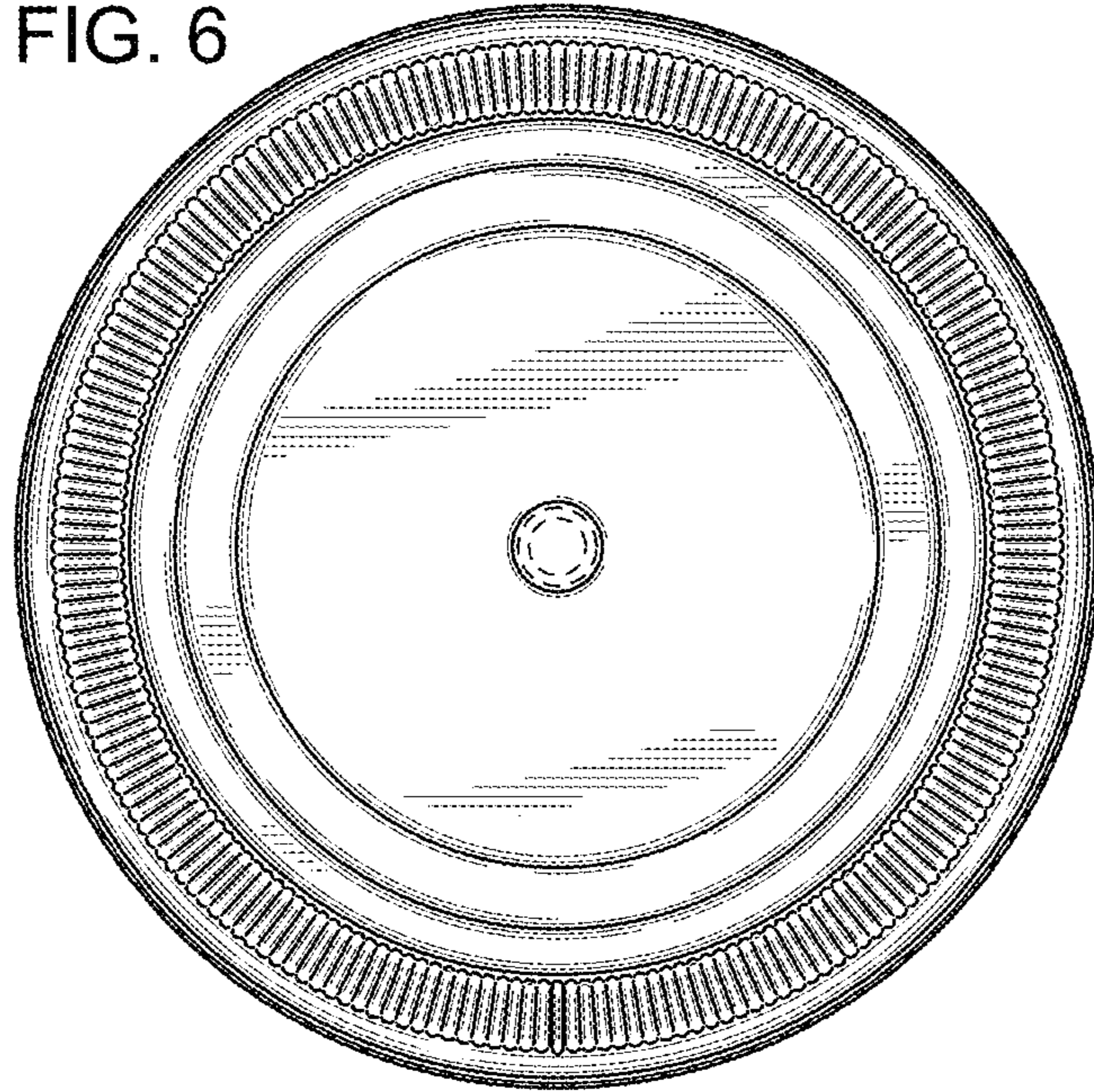


FIG. 7

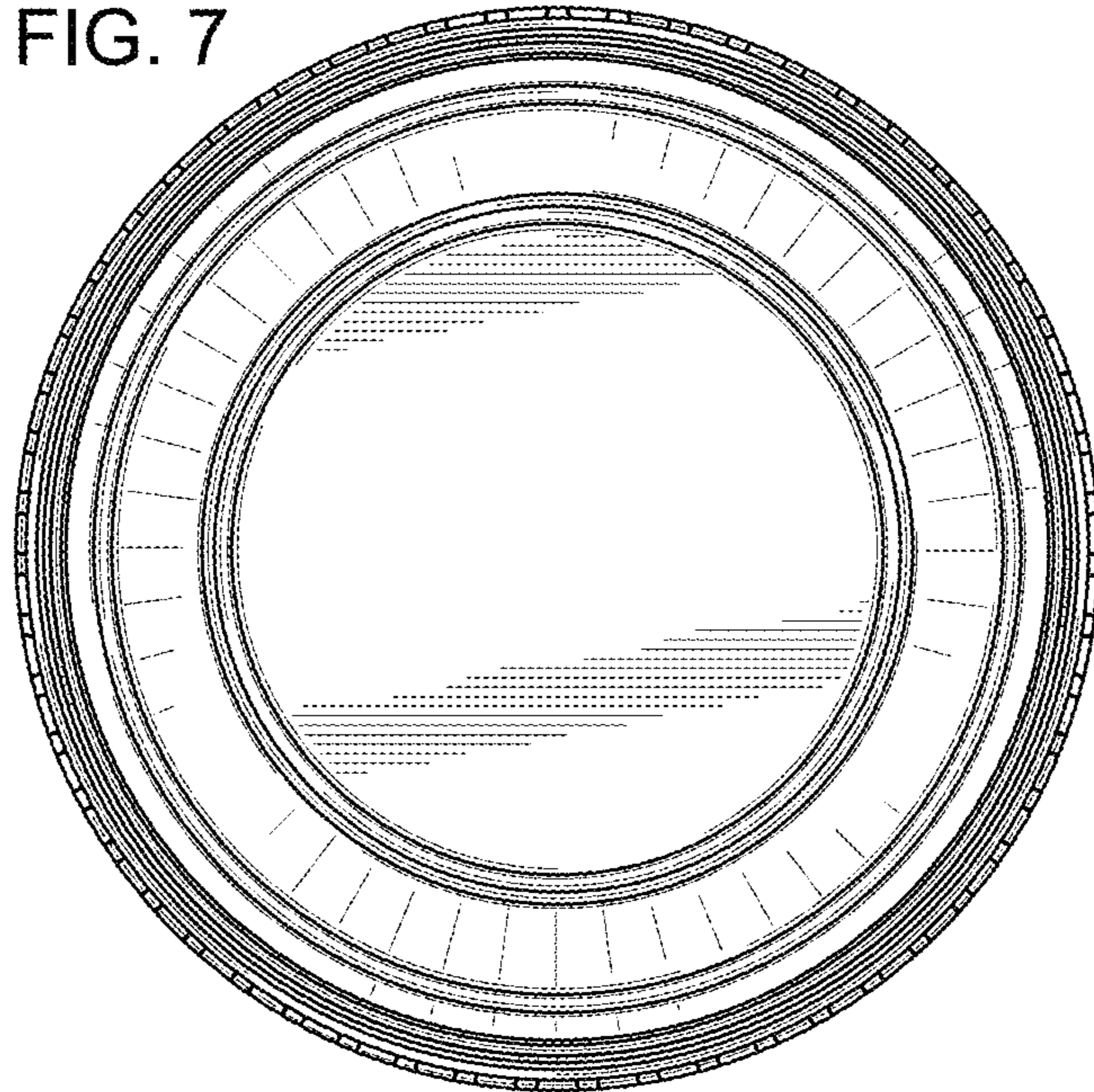


FIG. 8

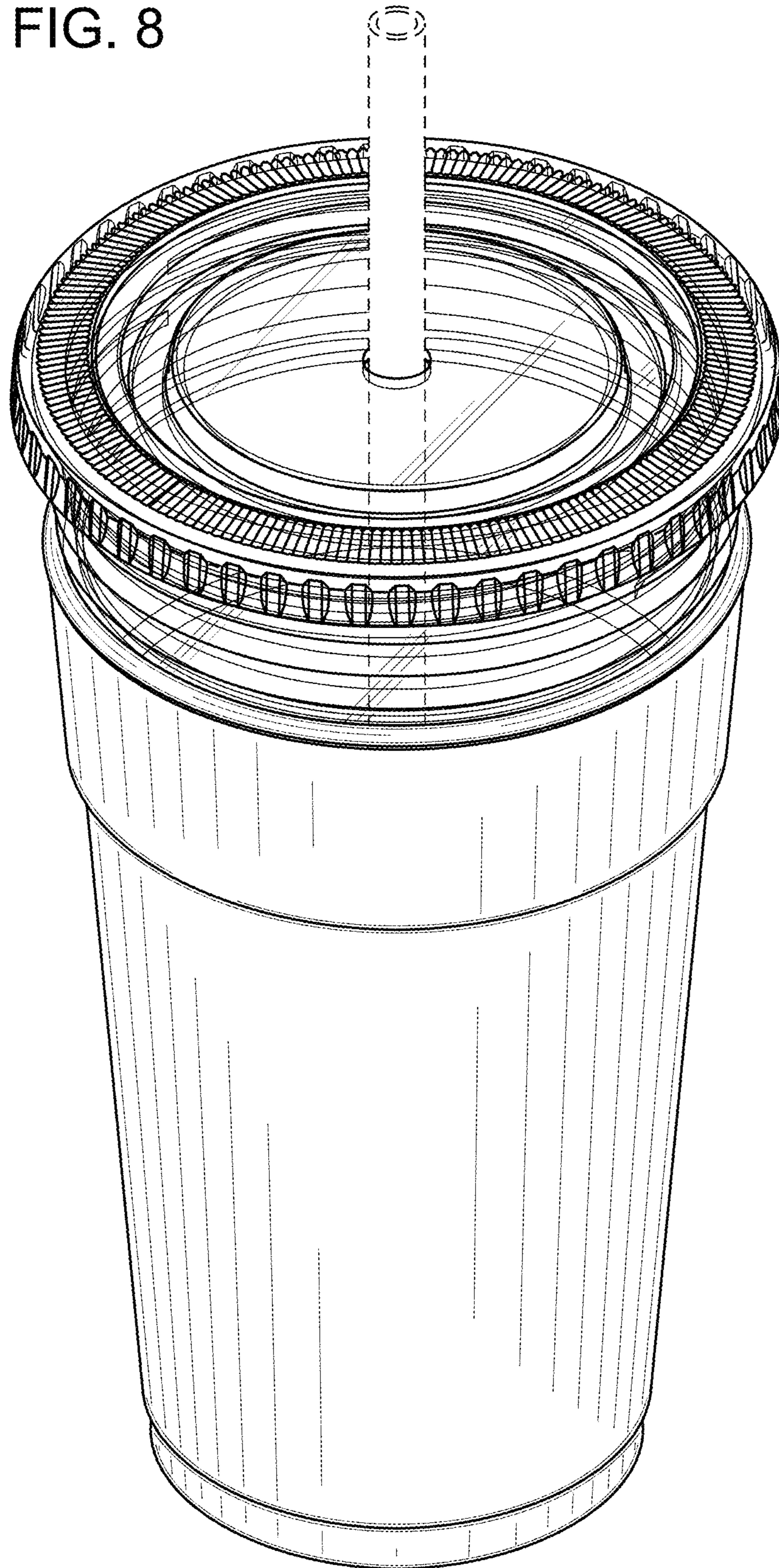


FIG. 9

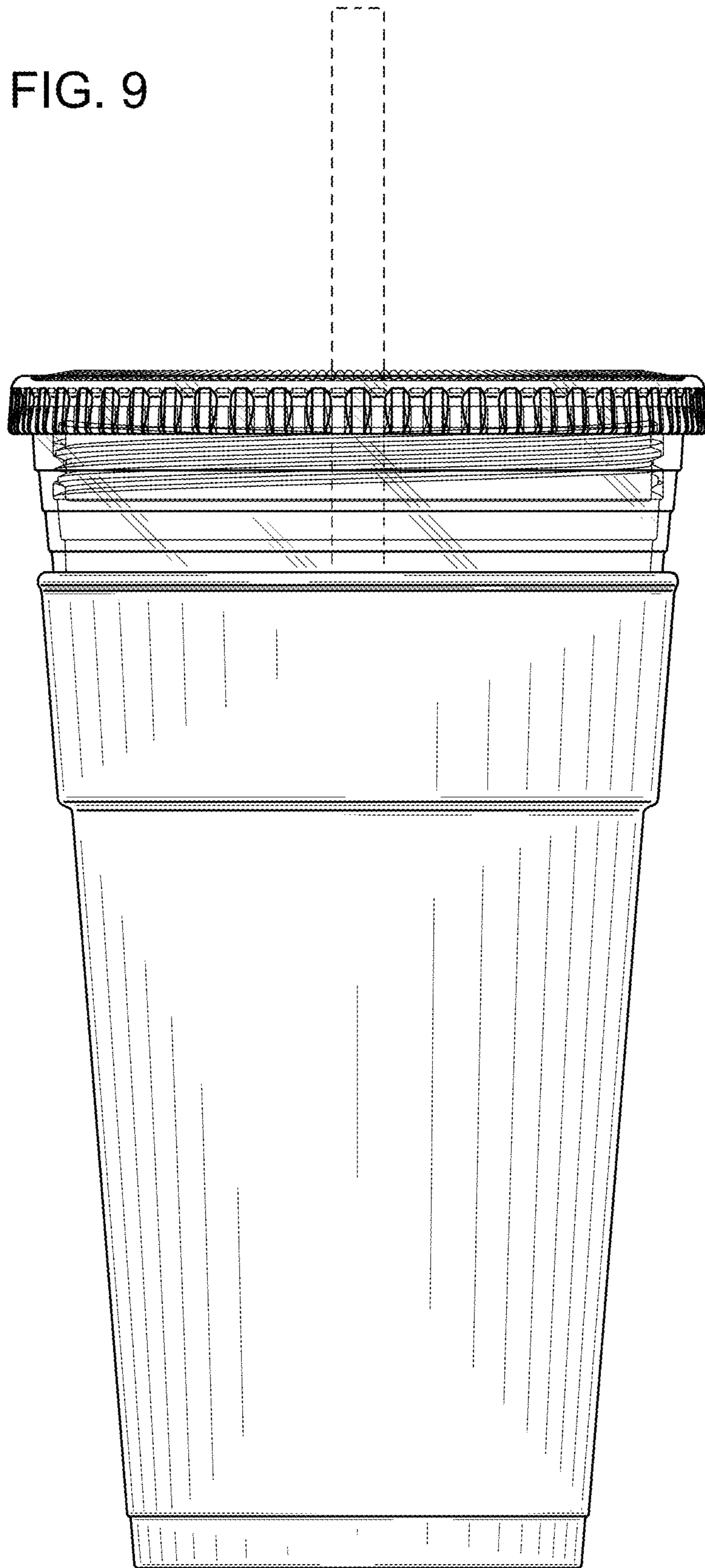


FIG. 10

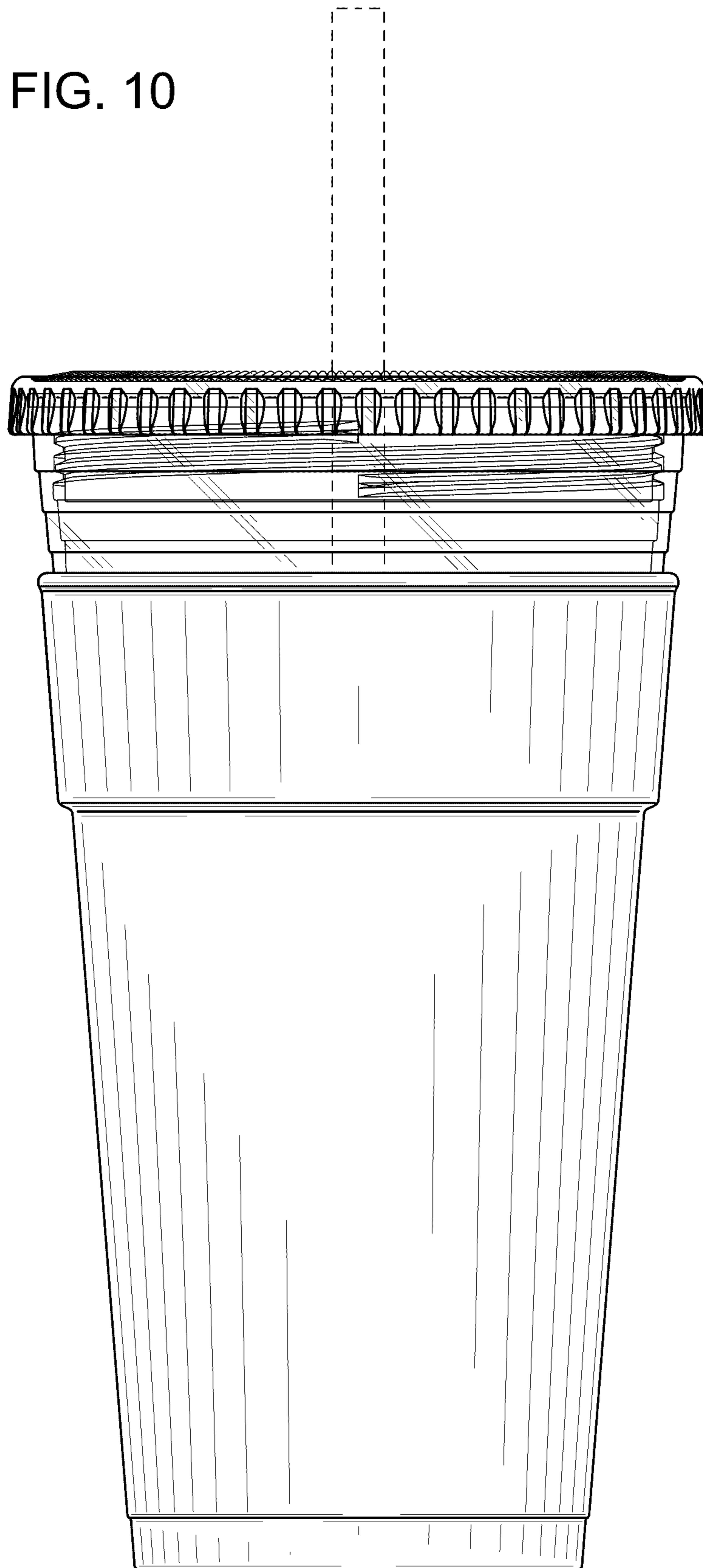


FIG. 11

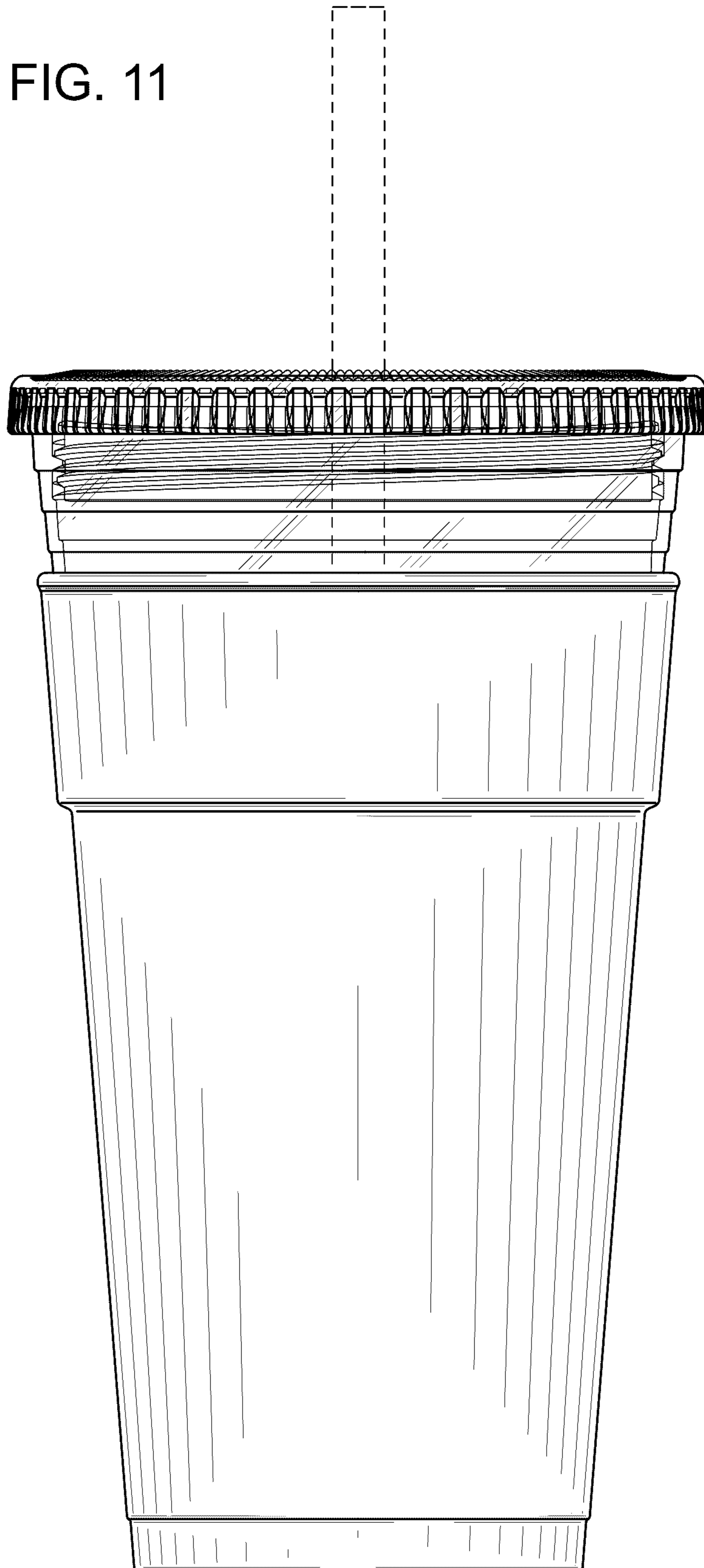


FIG. 12

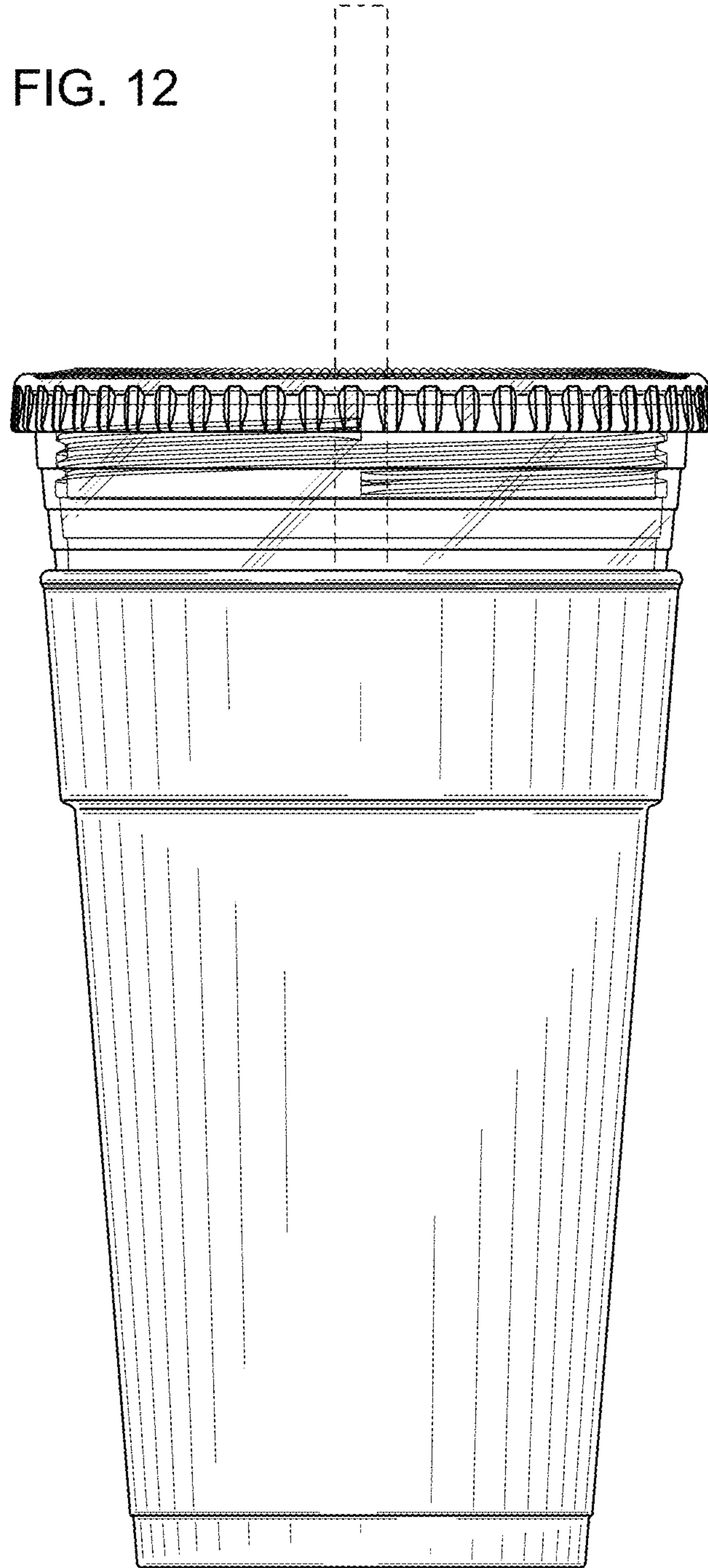


FIG. 13

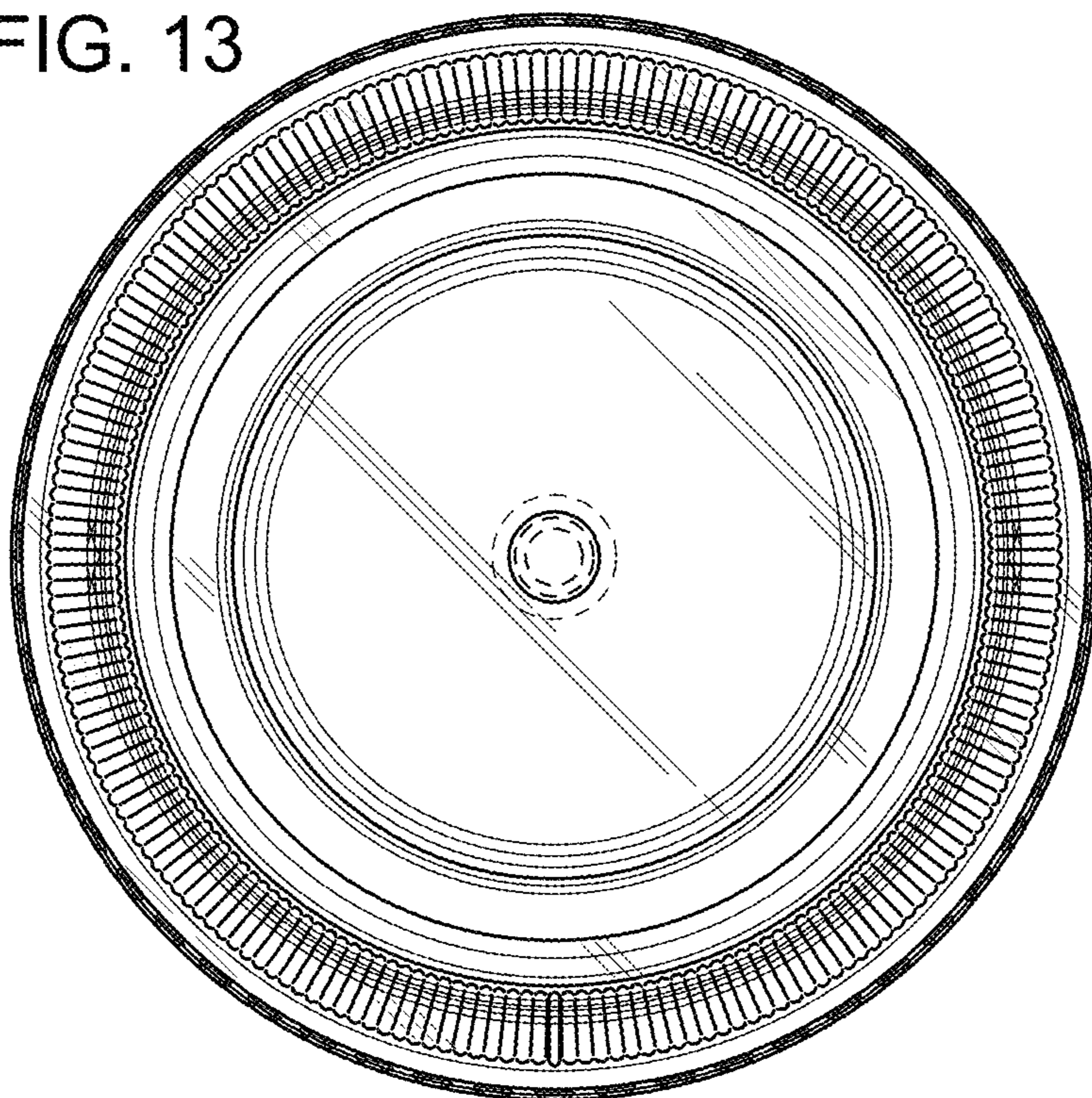


FIG. 14

