



US00D769068S

(12) **United States Design Patent**
Murdock

(10) **Patent No.:** **US D769,068 S**

(45) **Date of Patent:** **** Oct. 18, 2016**

- (54) **BEVERAGE CONTAINER**
- (71) Applicant: **Kendall Murdock**, Blackfoot, ID (US)
- (72) Inventor: **Kendall Murdock**, Blackfoot, ID (US)
- (**) Term: **15 Years**
- (21) Appl. No.: **29/533,438**
- (22) Filed: **Jul. 17, 2015**
- (51) **LOC (10) Cl.** **07-01**
- (52) **U.S. Cl.**
USPC **D7/515**; D7/514; D7/319; D7/301;
D23/211.2; D9/527
- (58) **Field of Classification Search**
USPC D7/507-511, 514, 523, 529, 532, 300.1,
D7/300.2, 305, 302, 629, 391, 392, 392.1,
D7/396.1, 396.2, 900, 319, 314, 316, 318,
D7/312, 398, 301, 320, 515; D9/500, 502,
D9/503, 523, 526, 516, 531, 435, 436, 439,
D9/440, 672, 417, 528, 447, 527;
D23/211.1, 211.2, 255; D27/102, 103,
D27/163; 220/771, 772, 560.04, 4.12, 4.14,
220/592.16, 592.17, 62.12, 703, 705, 706,
220/707, 710, 318; 215/229, 387, 388, 389,
215/380, 386; 131/330, 173, 329
CPC A45F 3/16; A47G 19/2222; A47G 19/2266;
A47G 19/22; A47G 19/2205; B65D 47/066;
B65D 25/28; B65D 25/30; B65D 45/00
See application file for complete search history.

(56) **References Cited**

U.S. PATENT DOCUMENTS

- 884,761 A * 4/1908 Richard B65D 47/265
222/542
- 1,520,029 A * 12/1924 Lewis B65D 25/48
222/478
- D136,890 S * 12/1943 Johnson D7/321
- 2,387,270 A * 10/1945 Johnson B65D 21/0231
206/510
- 3,746,200 A * 7/1973 Flider B65D 25/385
215/10

- 3,834,594 A * 9/1974 Schiemann B65D 1/20
222/464.1
- 3,940,002 A * 2/1976 Schiemann B29C 49/20
215/383
- D274,696 S * 7/1984 Marsden D9/417
- D286,380 S * 10/1986 Harman D9/447
- D294,986 S * 3/1988 Atchley D30/132
- D295,380 S * 4/1988 Virag D9/447
- 4,903,854 A * 2/1990 Schiemann B29C 49/20
215/398
- D307,547 S * 5/1990 Humphries D9/525
- D318,427 S * 7/1991 Sherburne, Jr. 215/388
- 5,048,705 A * 9/1991 Lynd A45F 3/20
215/229
- D326,050 S * 5/1992 Stockstill D23/211.2
- D327,848 S * 7/1992 Hanover 215/388
- 5,295,610 A * 3/1994 Levison B67D 7/74
222/157
- D360,580 S * 7/1995 Bomareto D9/447
- D361,244 S * 8/1995 Thompson D7/510

(Continued)

Primary Examiner — Marianne Pandozzi

Assistant Examiner — Jae Liang

(74) *Attorney, Agent, or Firm* — Dunlap Bennett & Ludwig PLLC

(57) **CLAIM**

The ornamental design for a beverage container, as shown and described.

DESCRIPTION

FIG. 1 is a front perspective view of a beverage container showing my new design;

FIG. 2 is a front elevational view of the beverage container, the rear elevational view being a mirror image thereof;

FIG. 3 is a left side elevational view of the beverage container;

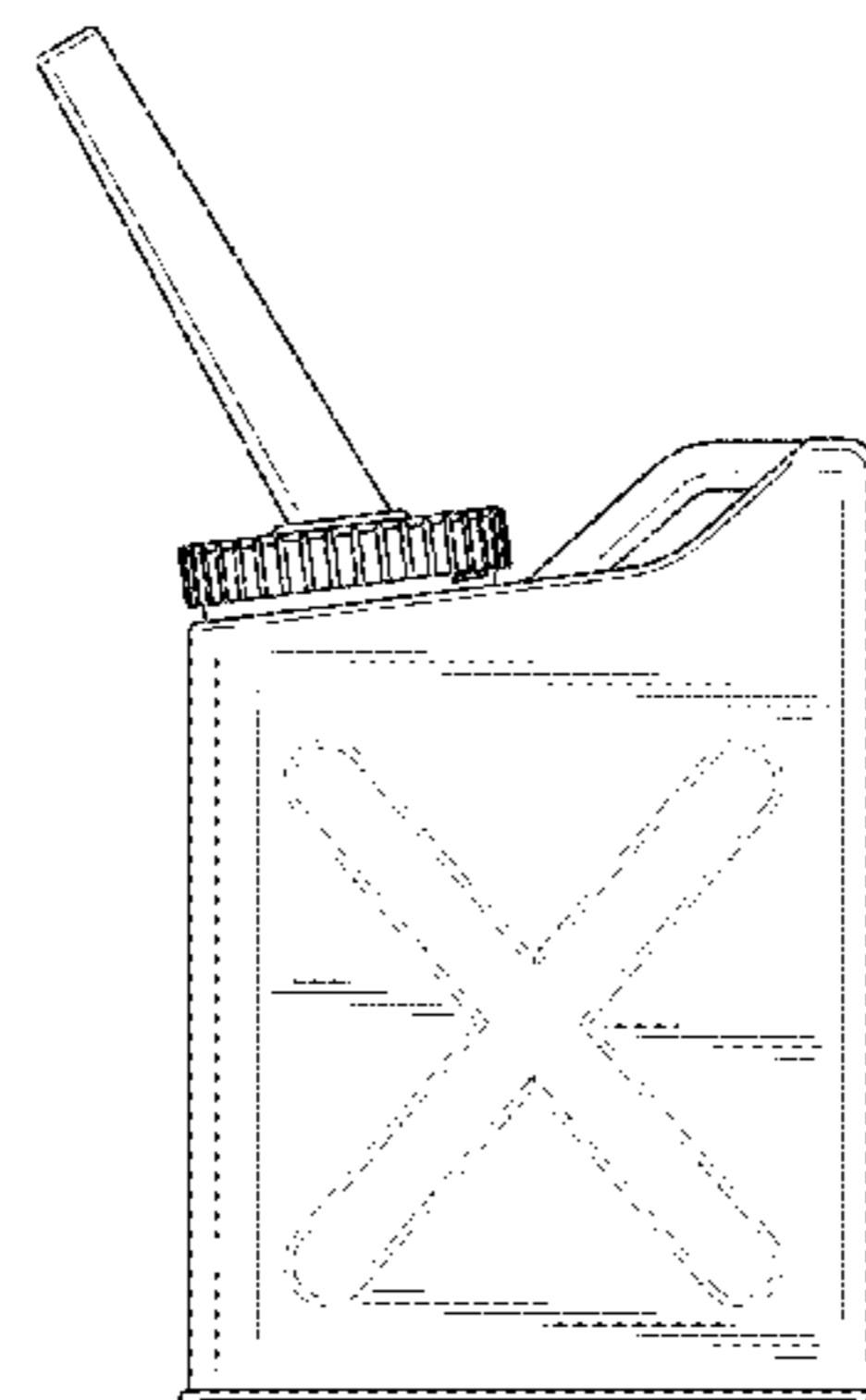
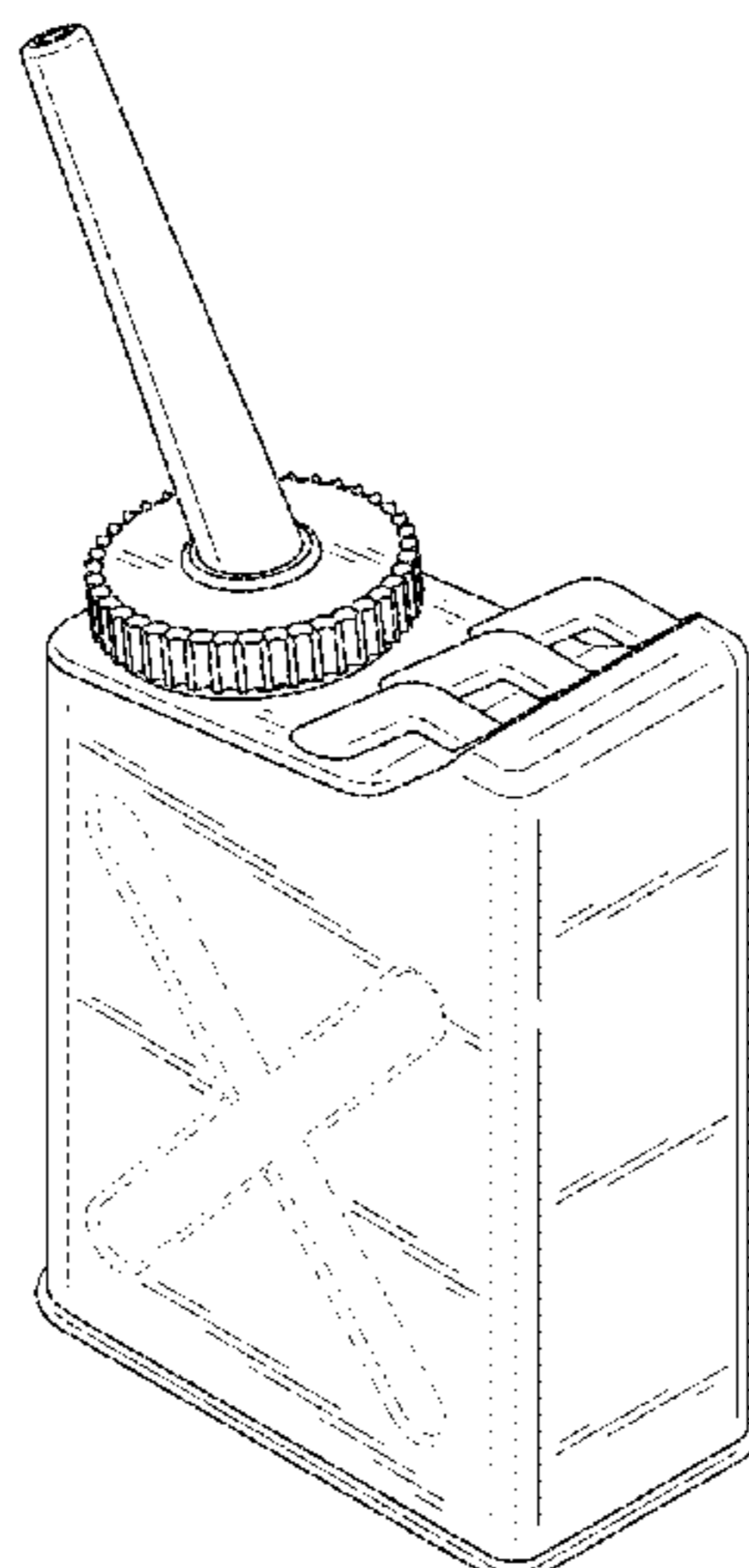
FIG. 4 is a right side elevational view of the beverage container;

FIG. 5 is a top plan view of the beverage container; and,

FIG. 6 is a bottom plan view of the beverage container.

The broken lines in the drawing depict portions of the beverage container that form no part of the claimed design.

1 Claim, 3 Drawing Sheets



(56)

References Cited

U.S. PATENT DOCUMENTS

D379,304 S *	5/1997	Bova	D9/447	D469,307 S *	1/2003	Lipson	D7/507
D383,065 S *	9/1997	Eastling	D9/447	D516,434 S *	3/2006	McGuire	D9/524
D390,786 S *	2/1998	Saunders	D9/551	7,959,044 B1 *	6/2011	Christian	B65D 1/20 215/902
D403,241 S *	12/1998	Nask	D9/435	D657,558 S *	4/2012	Cover	D23/211.1
6,131,775 A *	10/2000	Brody	B65D 47/061 215/274	D668,546 S *	10/2012	Maas	D9/528
D446,420 S *	8/2001	Donnell	D7/396.2	D684,860 S *	6/2013	Parks, Jr.	D9/436
					D722,872 S *	2/2015	Bowman	D9/436
					D734,425 S *	7/2015	Gilliam	D23/211.2
					D748,476 S *	2/2016	Lakstins	D9/447

* cited by examiner

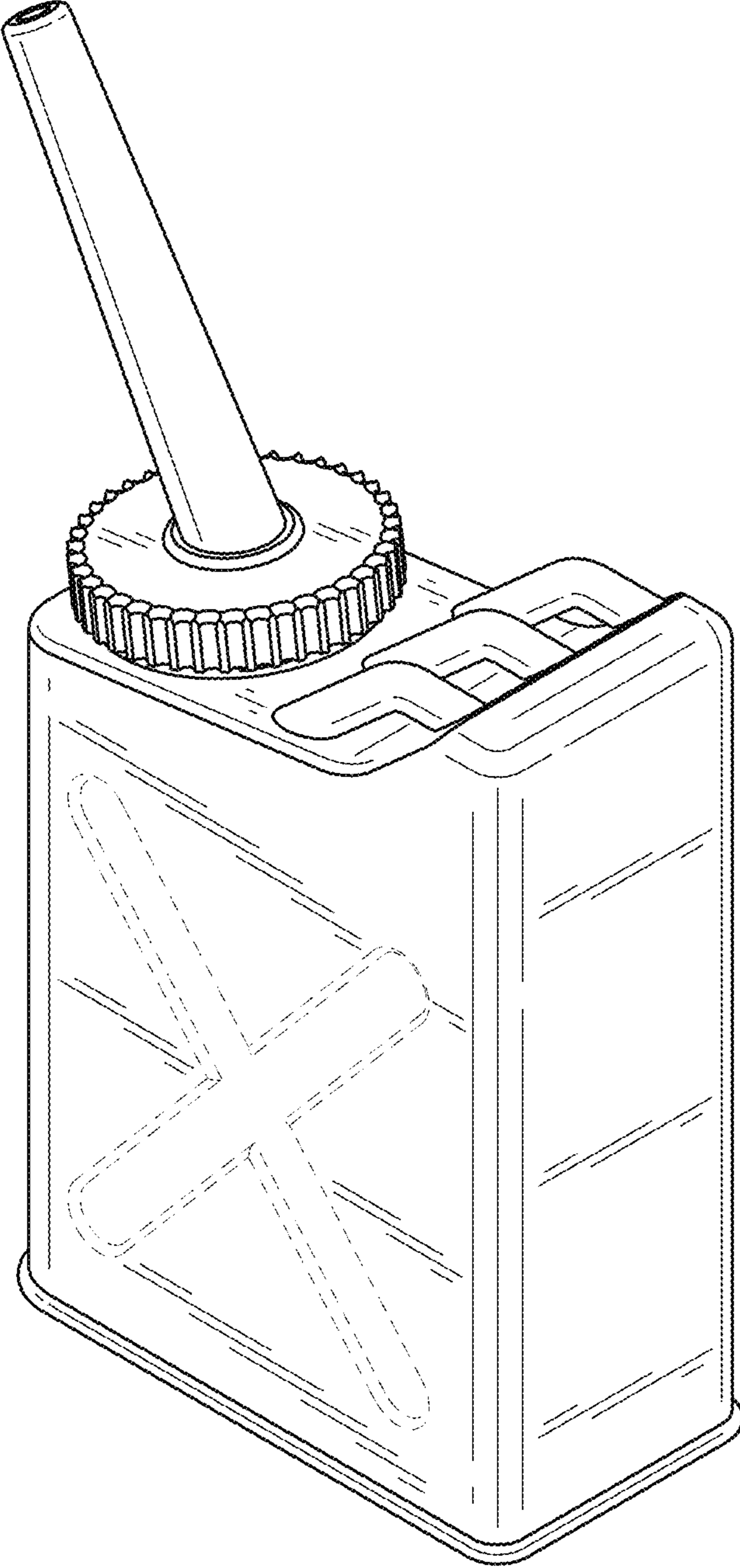


FIG. 1

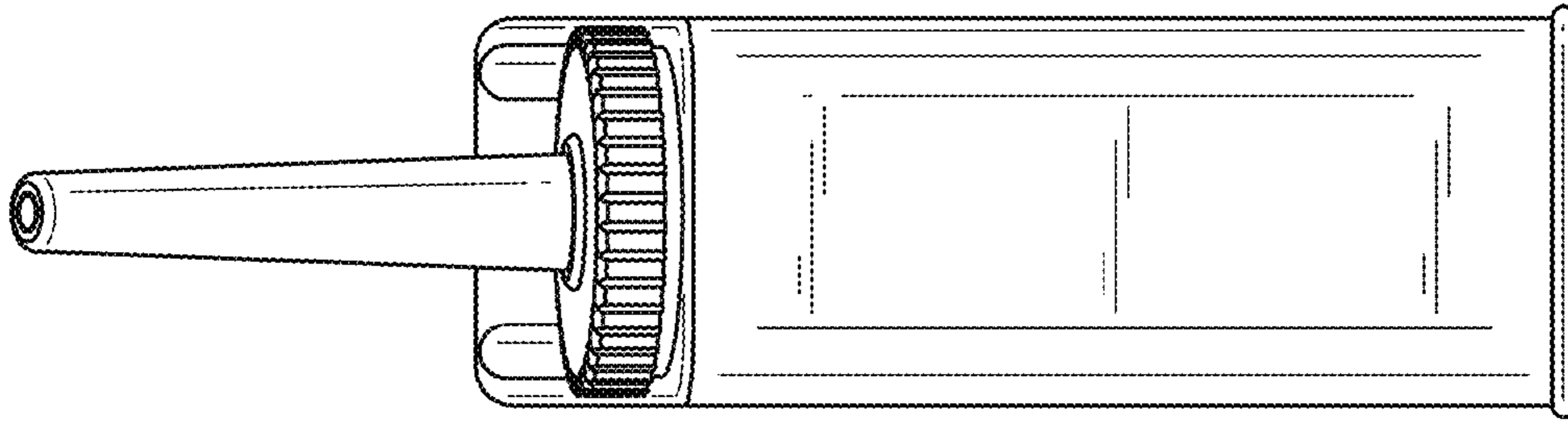


FIG. 4

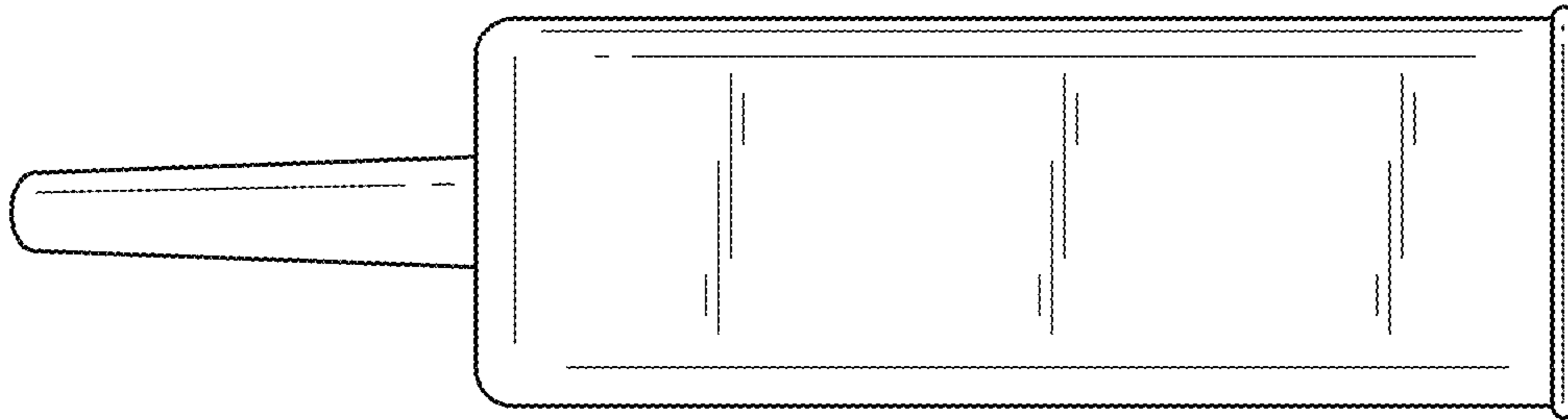


FIG. 3

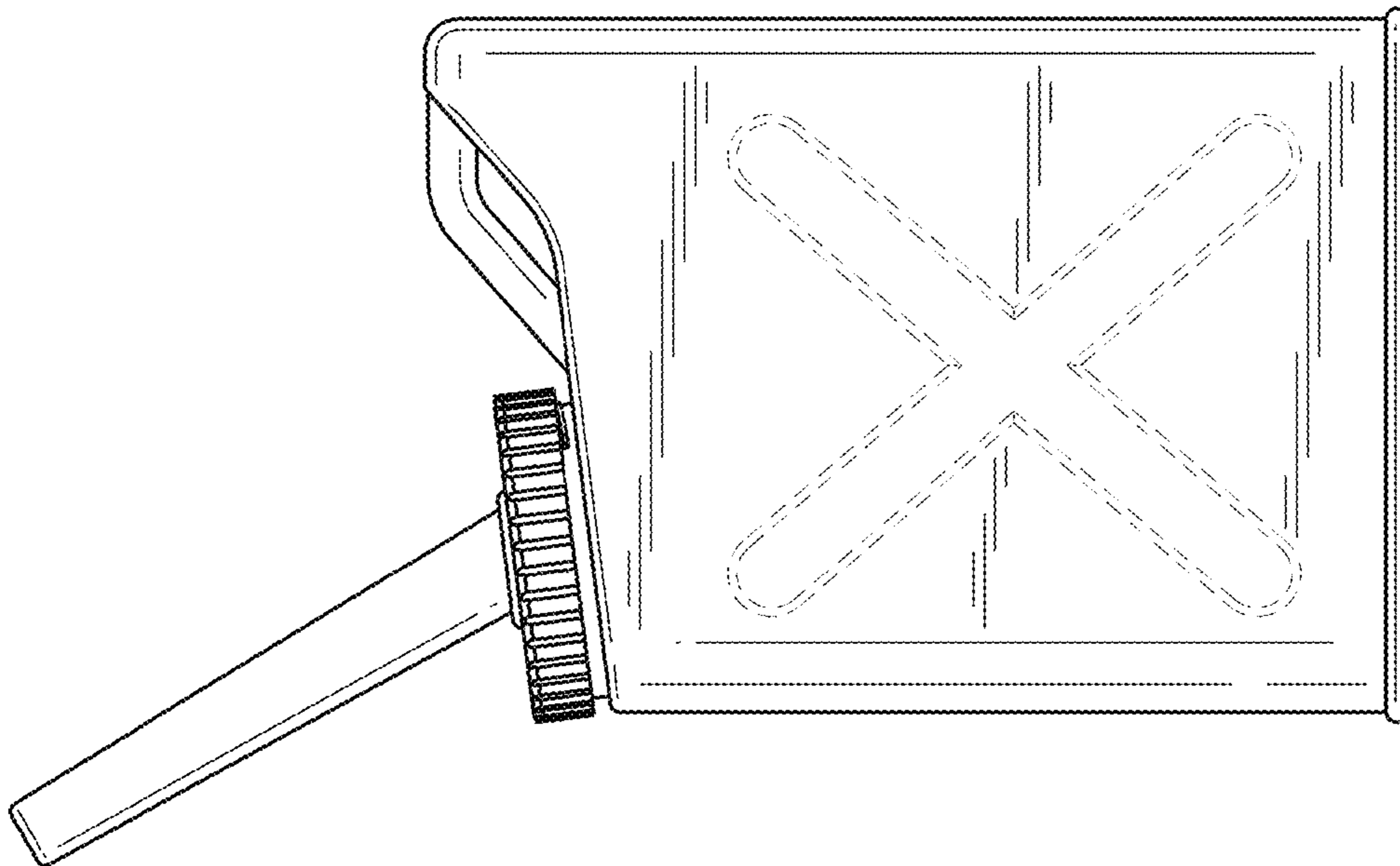


FIG. 2

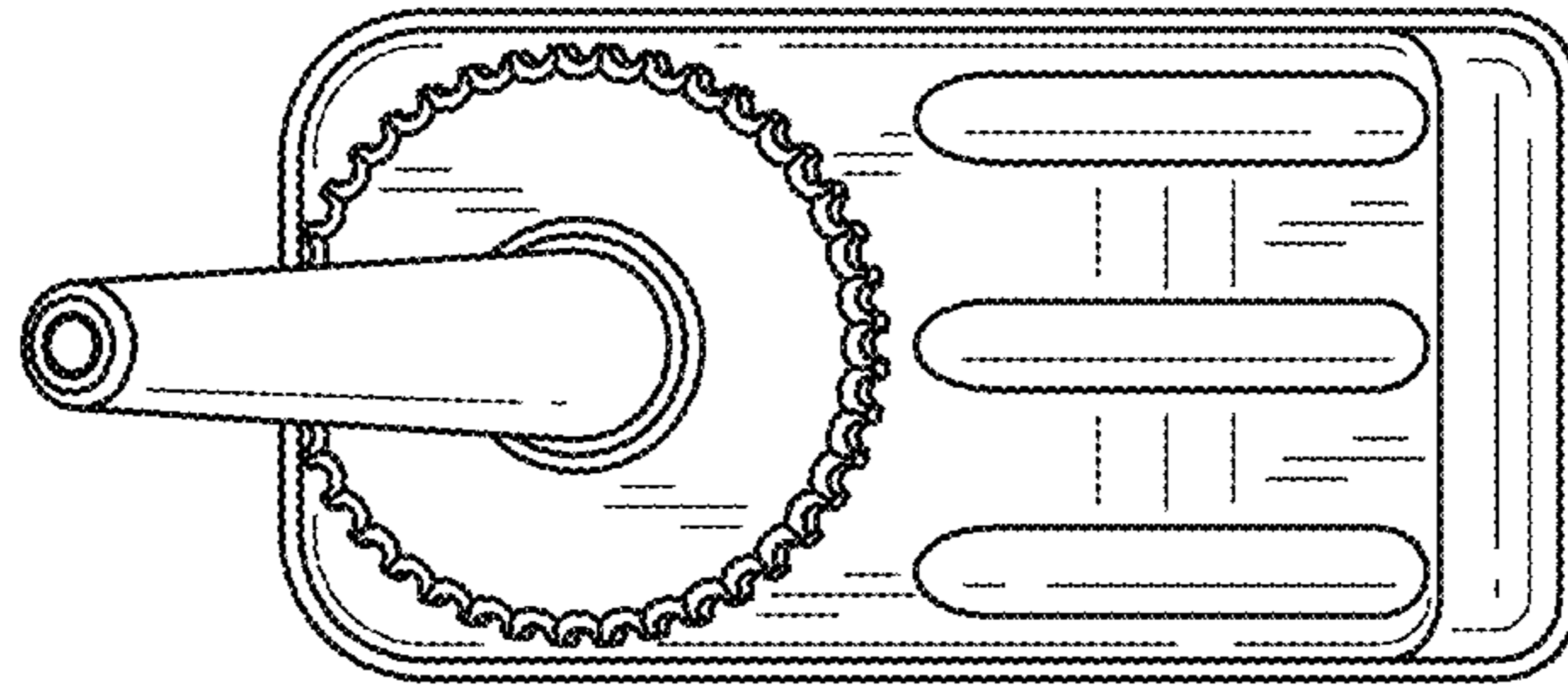


FIG. 5

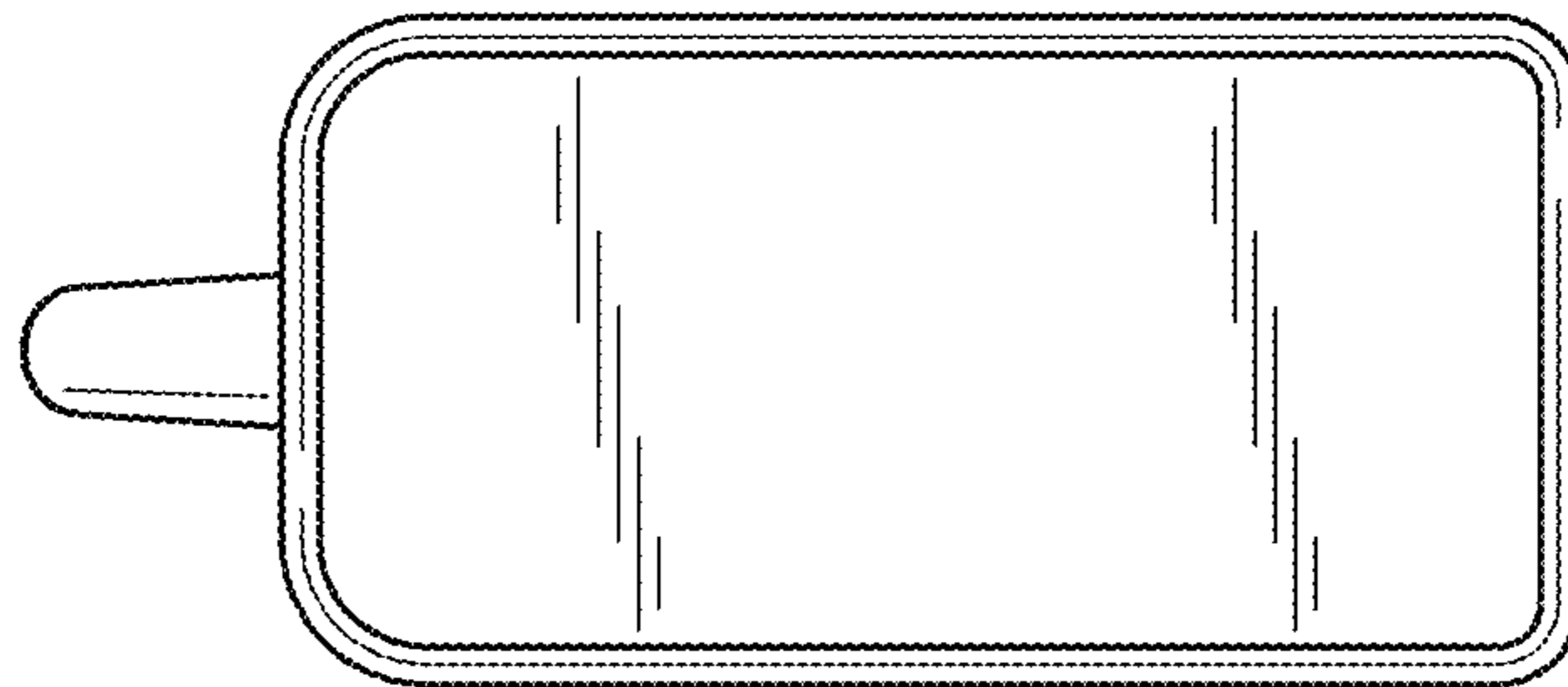


FIG. 6