



US00D769063S

(12) **United States Design Patent**
Sweeney

(10) **Patent No.:** **US D769,063 S**

(45) **Date of Patent:** **** Oct. 18, 2016**

(54) **BEVERAGE CONTAINER CAP WITH HANDLE AND INTEGRATED HOLE COVER**

(71) Applicant: **IQHYDR8, LLC**, San Diego, CA (US)

(72) Inventor: **Gerald Sweeney**, La Jolla, CA (US)

(73) Assignee: **IQHYDR8, LLC**, San Diego, CA (US)

(**) Term: **14 Years**

(21) Appl. No.: **29/502,738**

(22) Filed: **Sep. 18, 2014**

(51) **LOC (10) Cl.** **07-01**

(52) **U.S. Cl.**
USPC **D7/392.1; D7/396.2**

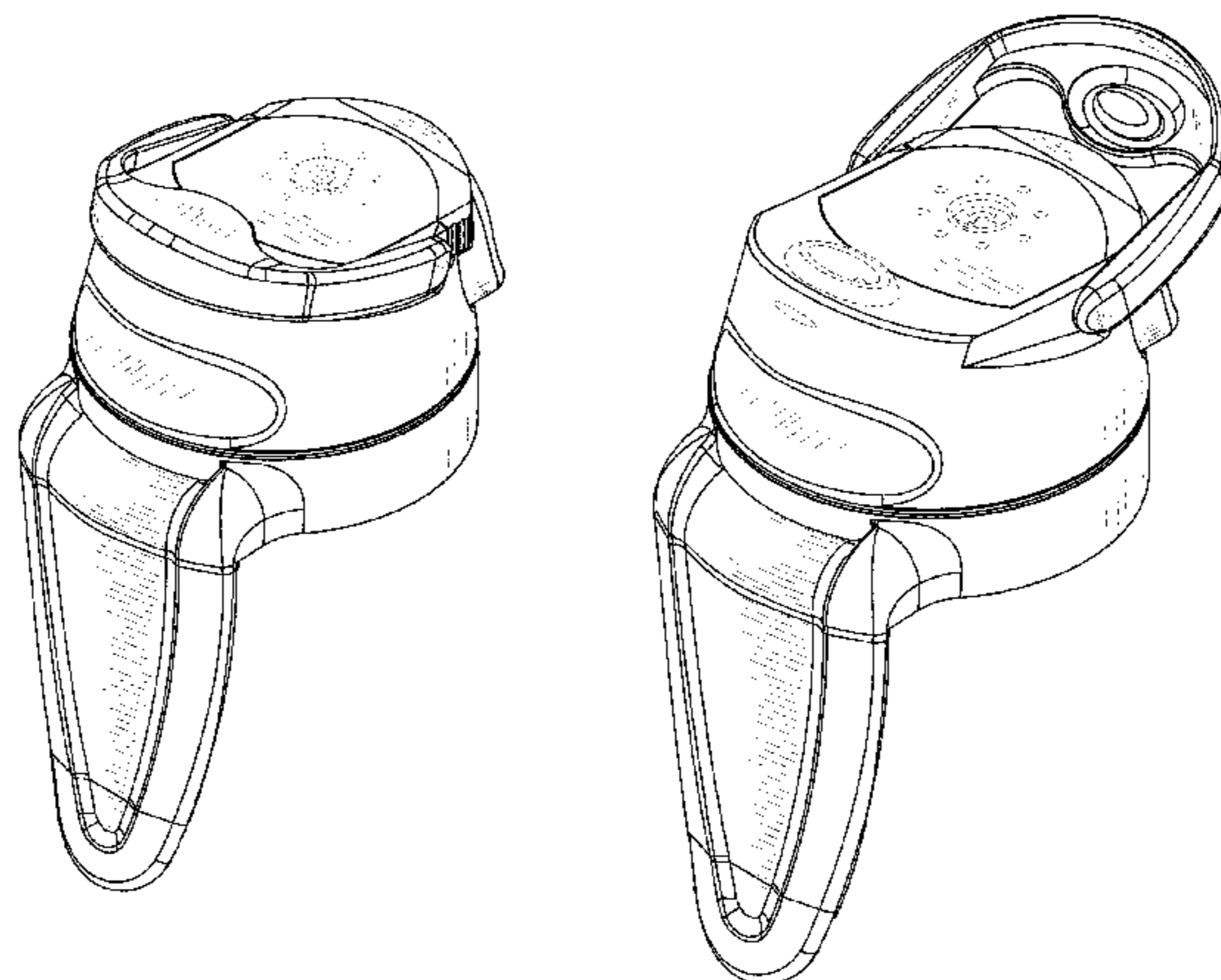
(58) **Field of Classification Search**
USPC D7/319, 391, 392, 392.1, 393, 396.2,
D7/397, 398, 509, 510, 511; D9/435, 436,
D9/440, 447, 450, 503, 504, 516, 761;
215/41, 224, 329, 386, 387, 388, 392,
215/396; 220/254.8, 700, 703, 705, 710,
220/711, 715; 222/465.1, 475.1
CPC A47G 19/2272
See application file for complete search history.

(56) **References Cited**

U.S. PATENT DOCUMENTS

3,964,631 A	6/1976	Albert	
4,099,642 A	7/1978	Nergard	
4,419,016 A	12/1983	Zoltan	
4,736,871 A	4/1988	Luciani et al.	
D308,828 S *	6/1990	Magnusson	D9/438
4,930,902 A	6/1990	Yata et al.	
6,062,419 A	5/2000	Kruger et al.	
6,082,358 A	7/2000	Scarrott et al.	
6,990,860 B1	1/2006	Gillanders	
7,011,227 B2	3/2006	Ward et al.	
7,020,508 B2	3/2006	Stivoric et al.	
D529,339 S *	10/2006	Carreno	D7/511
D547,607 S	7/2007	Forsman	
7,416,093 B2	8/2008	Lin et al.	
D584,566 S	1/2009	Fuller	
D586,184 S	2/2009	Miller et al.	
D589,743 S *	4/2009	Pearson	D7/392

D592,913 S	5/2009	Pinelli et al.	
D608,640 S *	1/2010	Carreno	D9/449
7,783,344 B2	8/2010	Lackey et al.	
D652,256 S	1/2012	Eyal	
D655,580 S *	3/2012	Kotani	D7/608
D656,360 S *	3/2012	Miller	D7/396.2
D656,787 S	4/2012	Phillips et al.	
D657,618 S	4/2012	Wahl	
D675,059 S	1/2013	Carreno	
8,360,267 B1	1/2013	Chiou et al.	
D675,865 S *	2/2013	Wahl	D7/392.1
D675,873 S *	2/2013	Miller	D7/510
8,378,830 B2	2/2013	Moran	
8,397,940 B2	3/2013	Steininger	
D679,541 S	4/2013	Samartgis	
D686,040 S *	7/2013	Lane	D7/510
D686,870 S *	7/2013	Young	D7/392.1
8,574,165 B2	11/2013	Marsh	
D696,073 S	12/2013	Miller et al.	
8,602,238 B2	12/2013	El-Saden et al.	
8,611,992 B2	12/2013	Goldstein et al.	
D700,012 S	2/2014	Hurley et al.	
D703,997 S *	5/2014	Munari	D7/393
8,734,341 B2	5/2014	Howell et al.	
D707,124 S	6/2014	Blain et al.	
D707,492 S	6/2014	George et al.	
2005/0115977 A1	6/2005	Dibdin et al.	
2006/0231109 A1	10/2006	Howell et al.	
2007/0048224 A1	3/2007	Howell et al.	
2007/0146154 A1	6/2007	Teller	
2008/0089993 A1	4/2008	Hwang et al.	
2009/0080180 A1	3/2009	Bertken	
2009/0250480 A1	10/2009	Pinelli	
2011/0036801 A1	2/2011	Krans et al.	
2011/0050431 A1	3/2011	Hood et al.	
2011/0309095 A1	12/2011	Pinelli	
2012/0037651 A1	2/2012	Steuer	
2012/0094261 A1	4/2012	Hayn et al.	
2012/0259180 A1	10/2012	Rock	
2012/0265480 A1	10/2012	Oshima	
2013/0275075 A1	10/2013	Johnson	
2013/0319915 A1	12/2013	Gellibolian et al.	
2014/0182952 A1	7/2014	Yuen et al.	
2014/0221788 A1	8/2014	Teller et al.	
2014/0221792 A1	8/2014	Miller et al.	
2014/0249388 A1	9/2014	Howell et al.	
2014/0311239 A1	10/2014	Marjanovic et al.	
2015/0201776 A1 *	7/2015	Elsaden	A47G 19/2272 220/715



FOREIGN PATENT DOCUMENTS

EP 1292218 A1 3/2003
 EP 2472488 A1 7/2012

OTHER PUBLICATIONS

Hydracoach, Hydration Monitors, www.hydracoach.com, 2004, 2 pages.
 Hydracoach, Hydracoach Intelligent Water Bottle User Guide, 2007, 14 pages.
 Kickstarter, "Track your water intake and Hydrate better with The Hug", 2014, 16 pages.
 Vessyl Design, Faq page, 2014, 7 pages.
 Contigo, Innovation Web Page, www.gocontigo.com, 2015, 3 pages.
 CafePress Travel Mug, Web Page, <http://www.cafepress.com/+mugs?cat=203071>, 2015, 2 pages.
 International Search Report Received in PCT/US2015/036072, dated Sep. 4, 2015, 7 pages.

* cited by examiner

Primary Examiner — Robert M Spear
Assistant Examiner — Kendra L Hamilton
 (74) *Attorney, Agent, or Firm* — ARC IP Law, PC;
 Joseph J. Mayo

(57) **CLAIM**

The ornamental design for a beverage container cap with handle and integrated hole cover, as shown and described.

DESCRIPTION

FIG. 1 is an upper perspective view of a beverage container cap with handle and integrated hole cover in closed position with the drinking hole covered by the handle.
 FIG. 2 is a front view of a beverage container cap with handle and integrated hole cover in closed position.
 FIG. 3 is a rear view of a beverage container cap with handle and integrated hole cover in closed position.

FIG. 4 is a right side view, of which the left side view is a mirror image, of a beverage container cap with handle and integrated hole cover in closed position.

FIG. 5 is a top view of a beverage container cap with handle and integrated hole cover in closed position.

FIG. 6 is a bottom view of a beverage container cap with handle and integrated hole cover in closed position.

FIG. 7 is an upper perspective view of a beverage container cap with handle and integrated hole cover in carrying position.

FIG. 8 is a front view of a beverage container cap with handle and integrated hole cover in carrying position.

FIG. 9 is a rear view of a beverage container cap with handle and integrated hole cover in carrying position.

FIG. 10 is a right side view, of which the left side view is a mirror image, of a beverage container cap with handle and integrated hole cover in carrying position.

FIG. 11 is a top view of a beverage container cap with handle and integrated hole cover in carrying position.

FIG. 12 is a bottom view of a beverage container cap with handle and integrated hole cover in carrying position.

FIG. 13 is an upper perspective view of a beverage container cap with handle and integrated hole cover in drinking position with the drinking hole exposed.

FIG. 14 is a front view of a beverage container cap with handle and integrated hole cover in drinking position.

FIG. 15 is a rear view of a beverage container cap with handle and integrated hole cover in drinking position.

FIG. 16 is a right side view, of which the left side view is a mirror image, of a beverage container cap with handle and integrated hole cover in drinking position.

FIG. 17 is a top view of a beverage container cap with handle and integrated hole cover in drinking position; and,

FIG. 18 is a bottom view of a beverage container cap with handle and integrated hole cover in drinking position.

Any broken line showing is for environmental purposes only and forms no part of the claimed design.

1 Claim, 12 Drawing Sheets

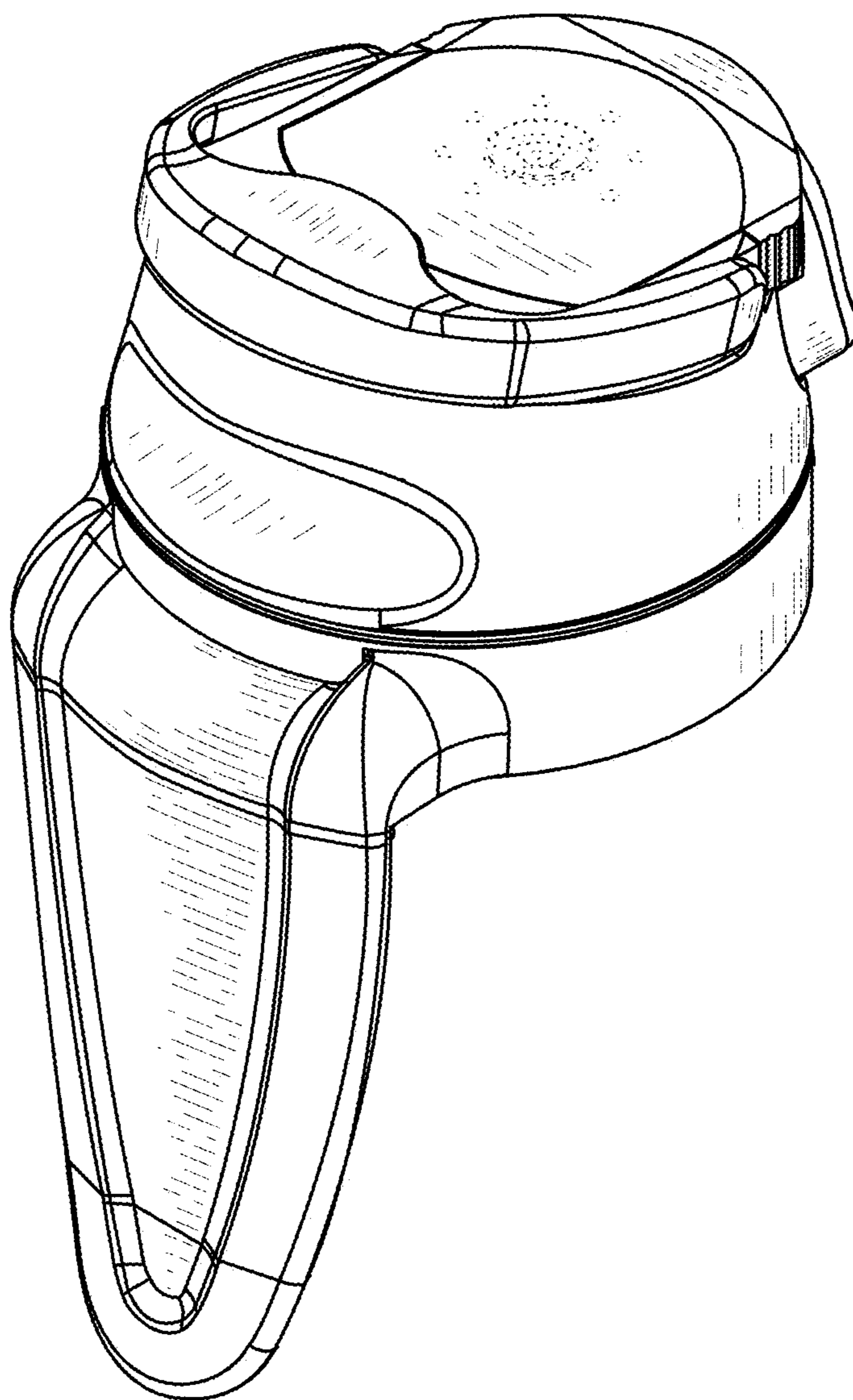


FIG. 1

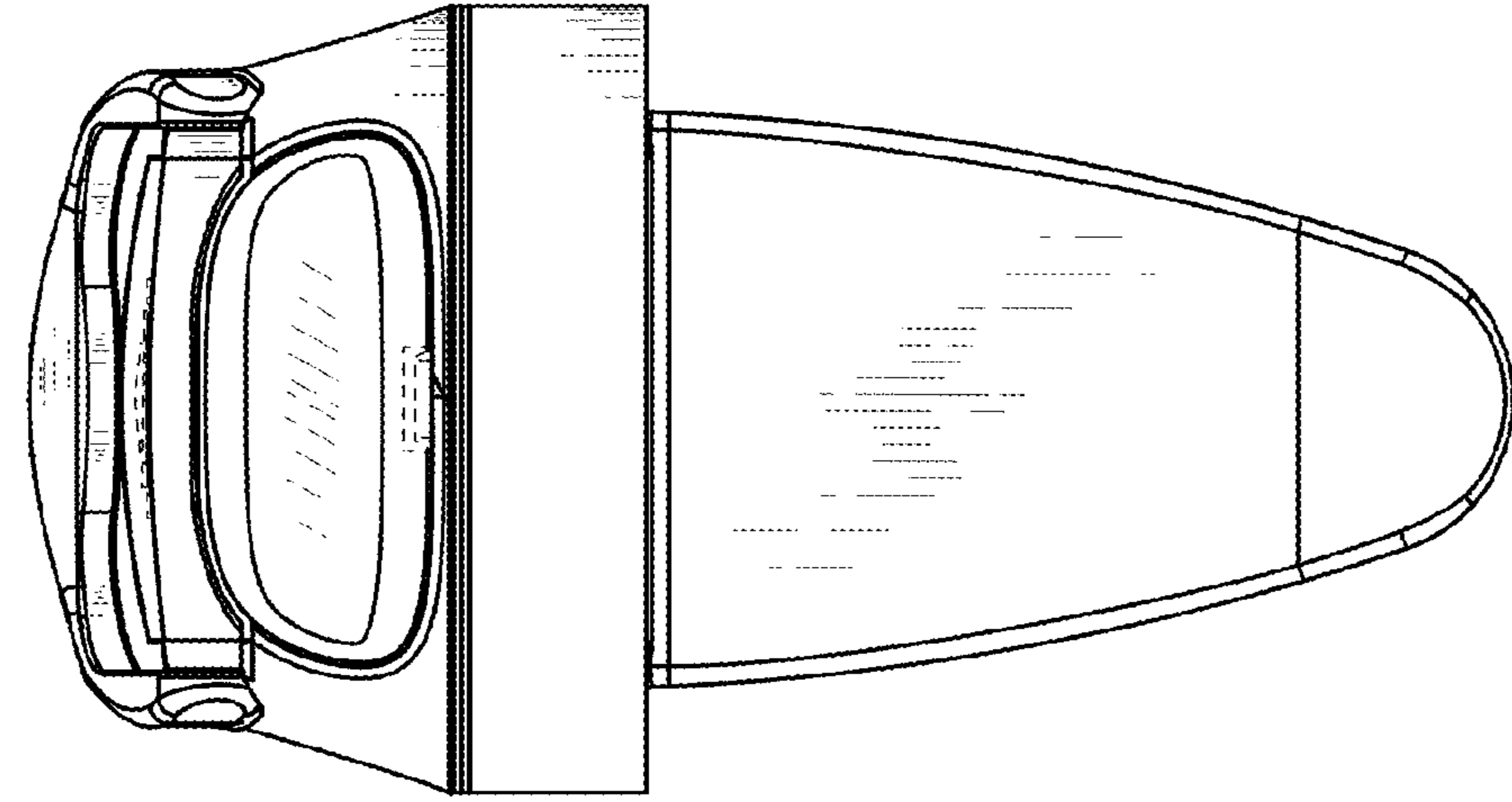


FIG. 3

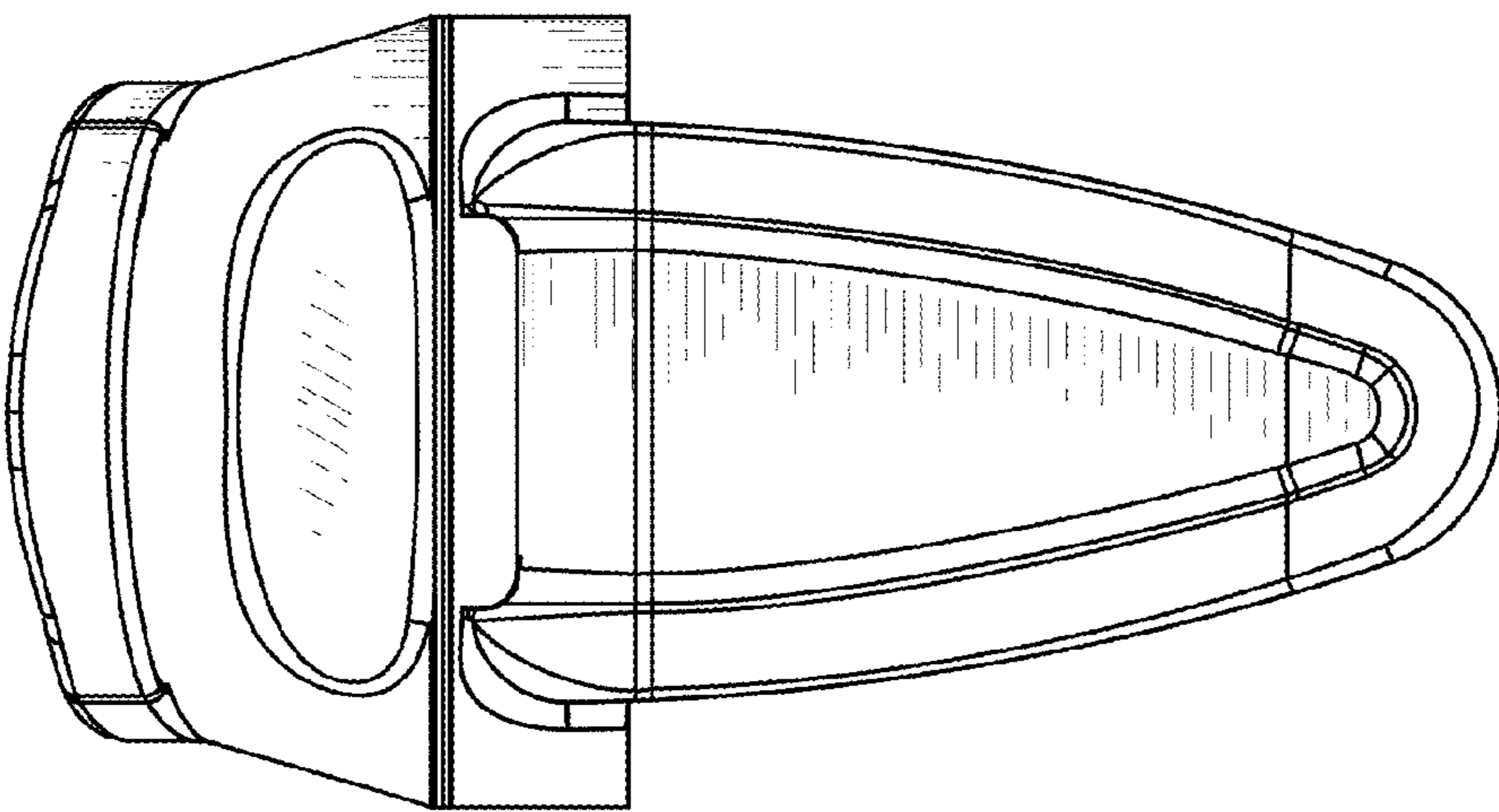


FIG. 2

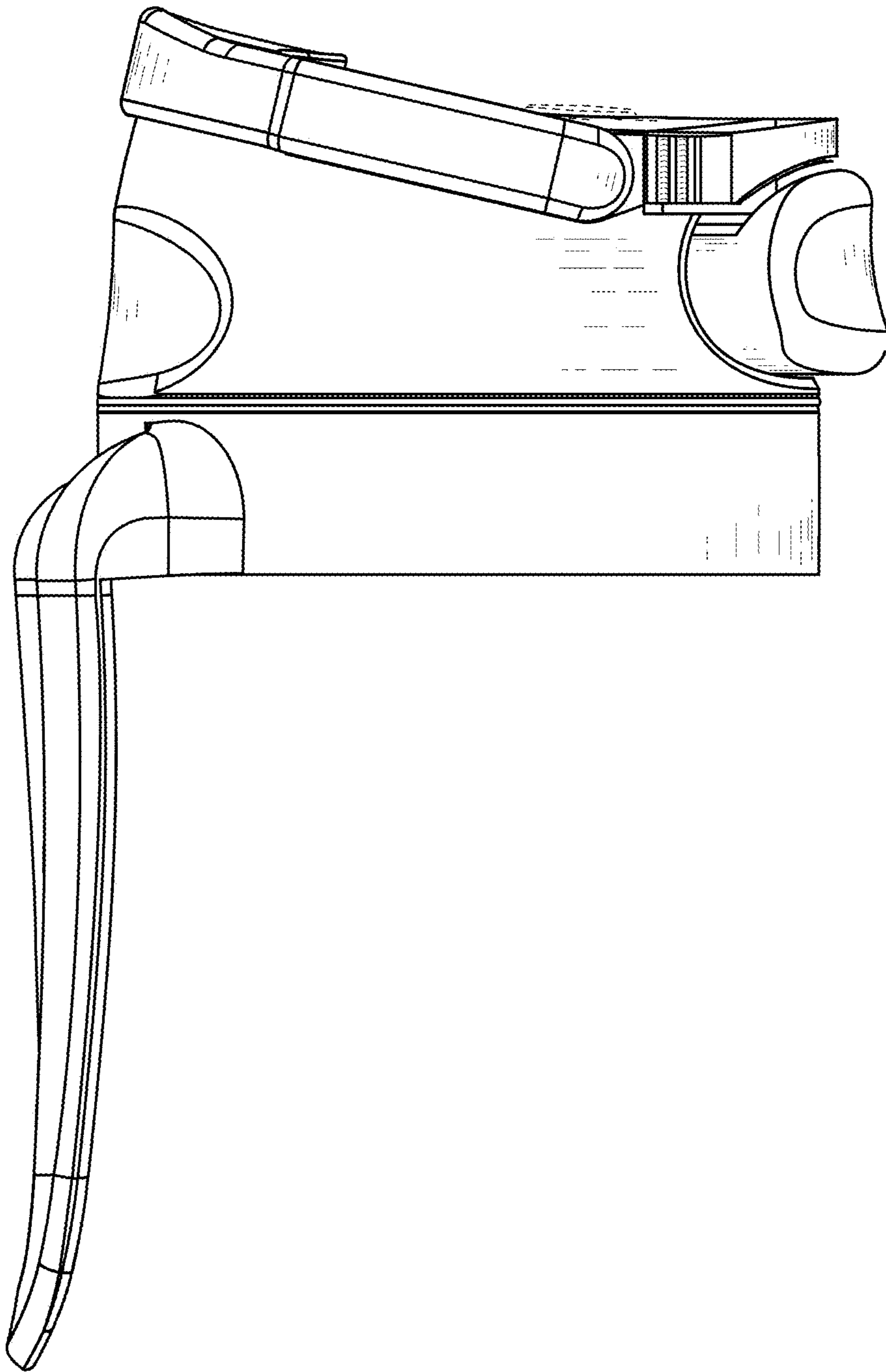


FIG. 4

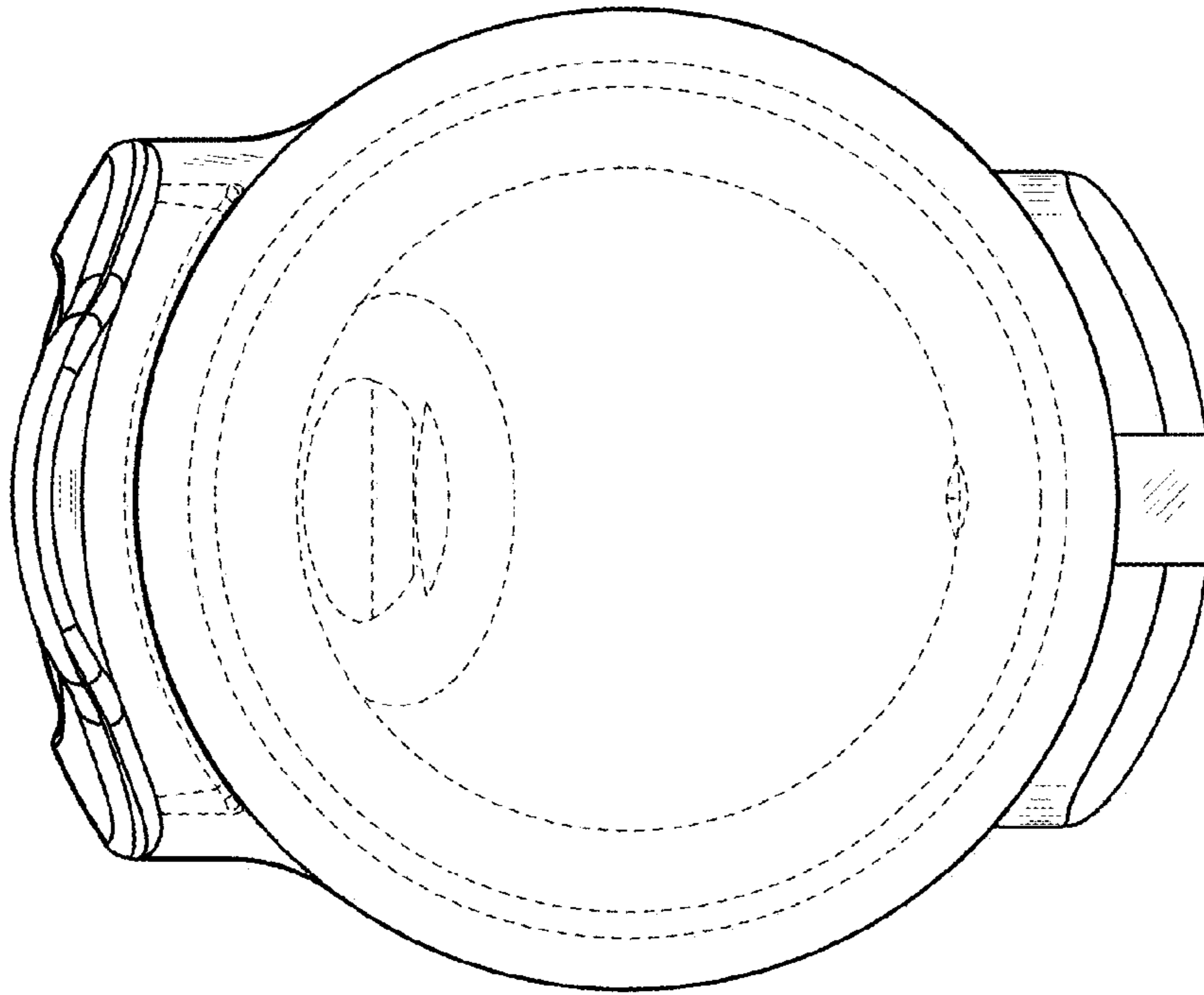


FIG. 6

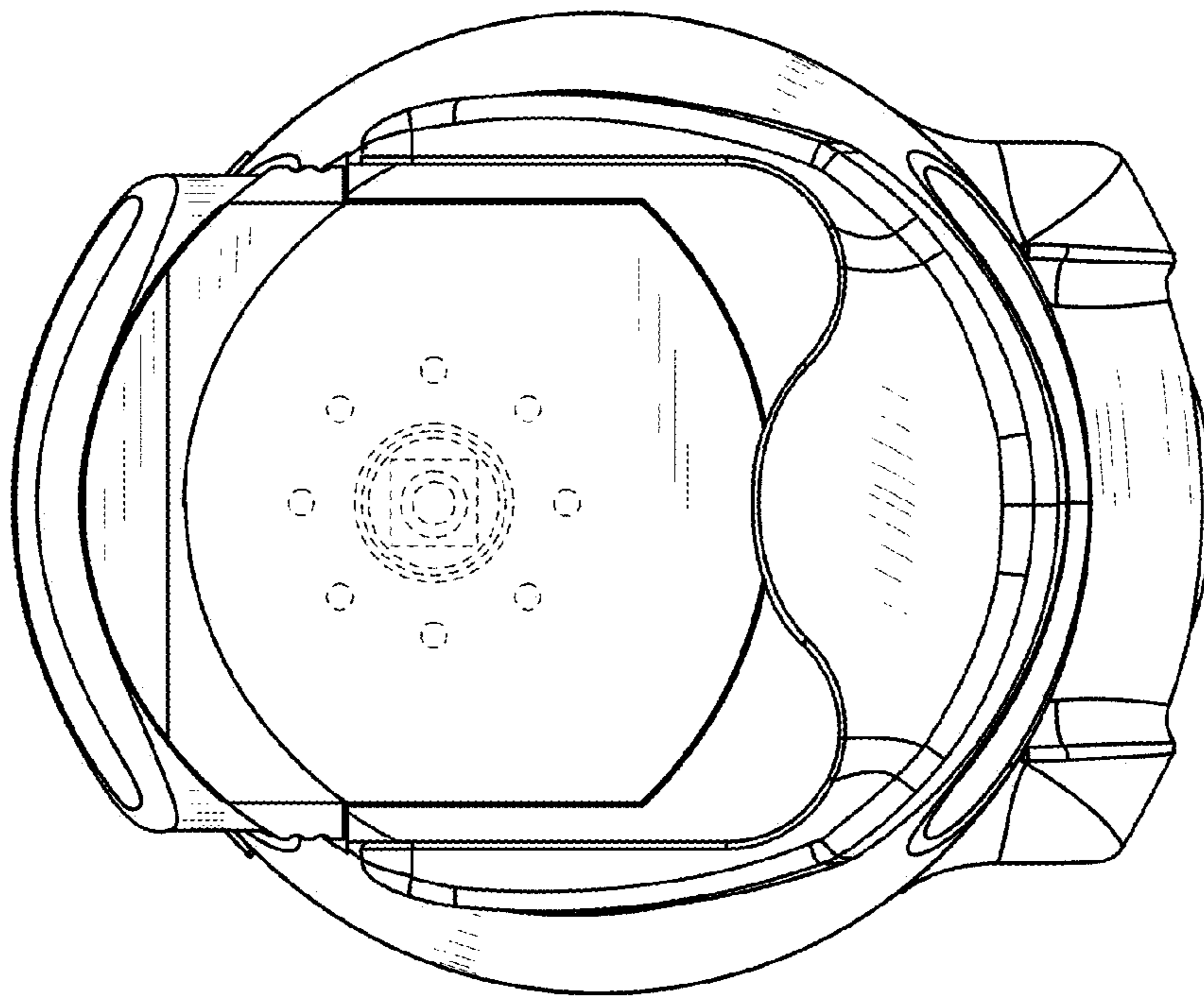


FIG. 5

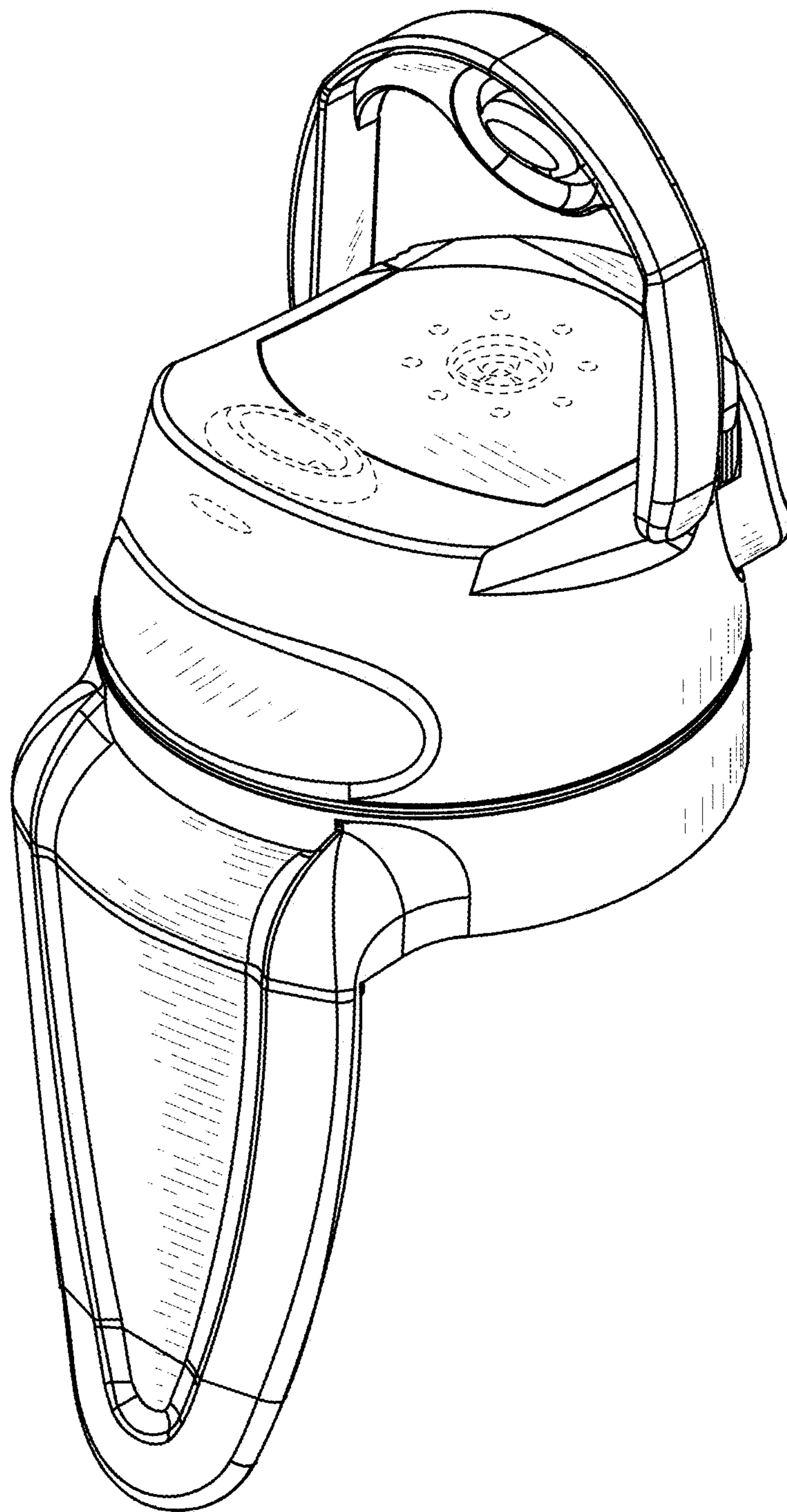


FIG. 7

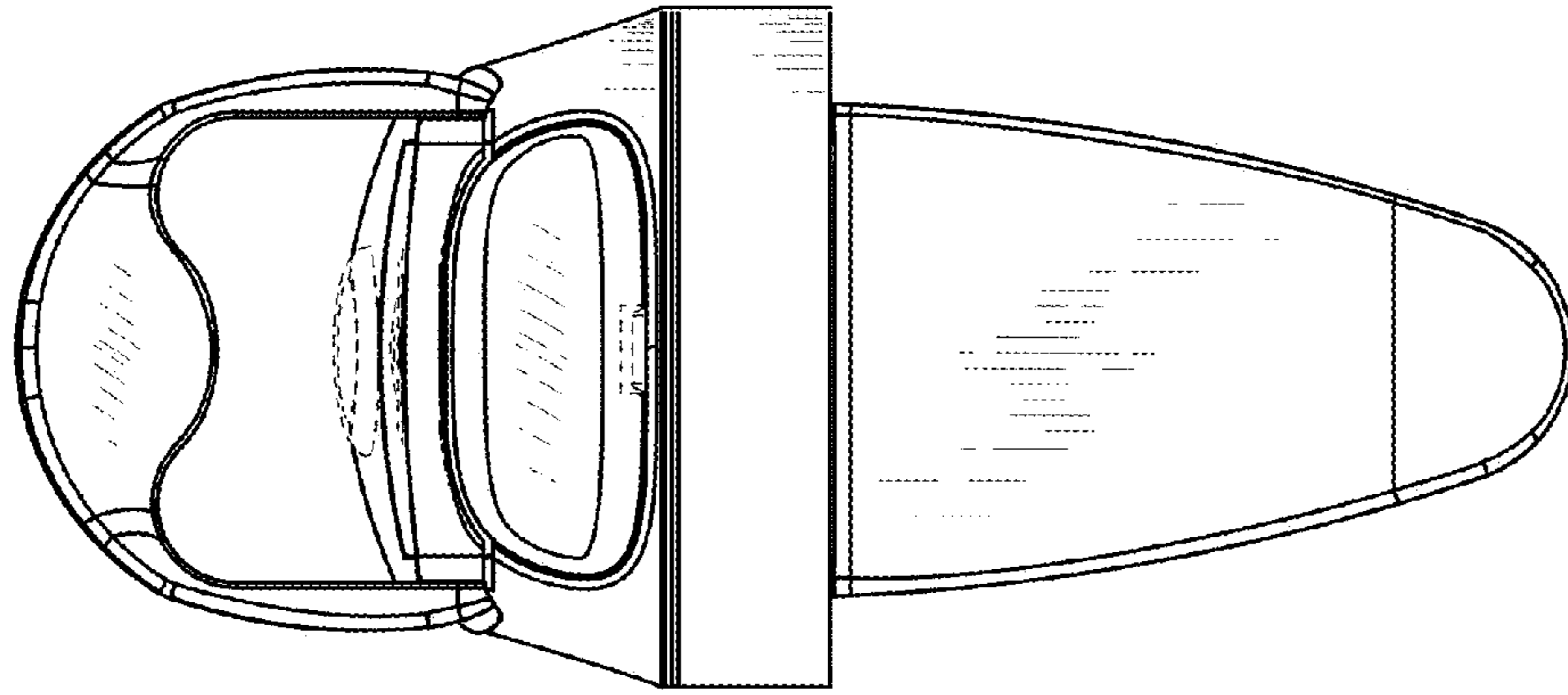


FIG. 9

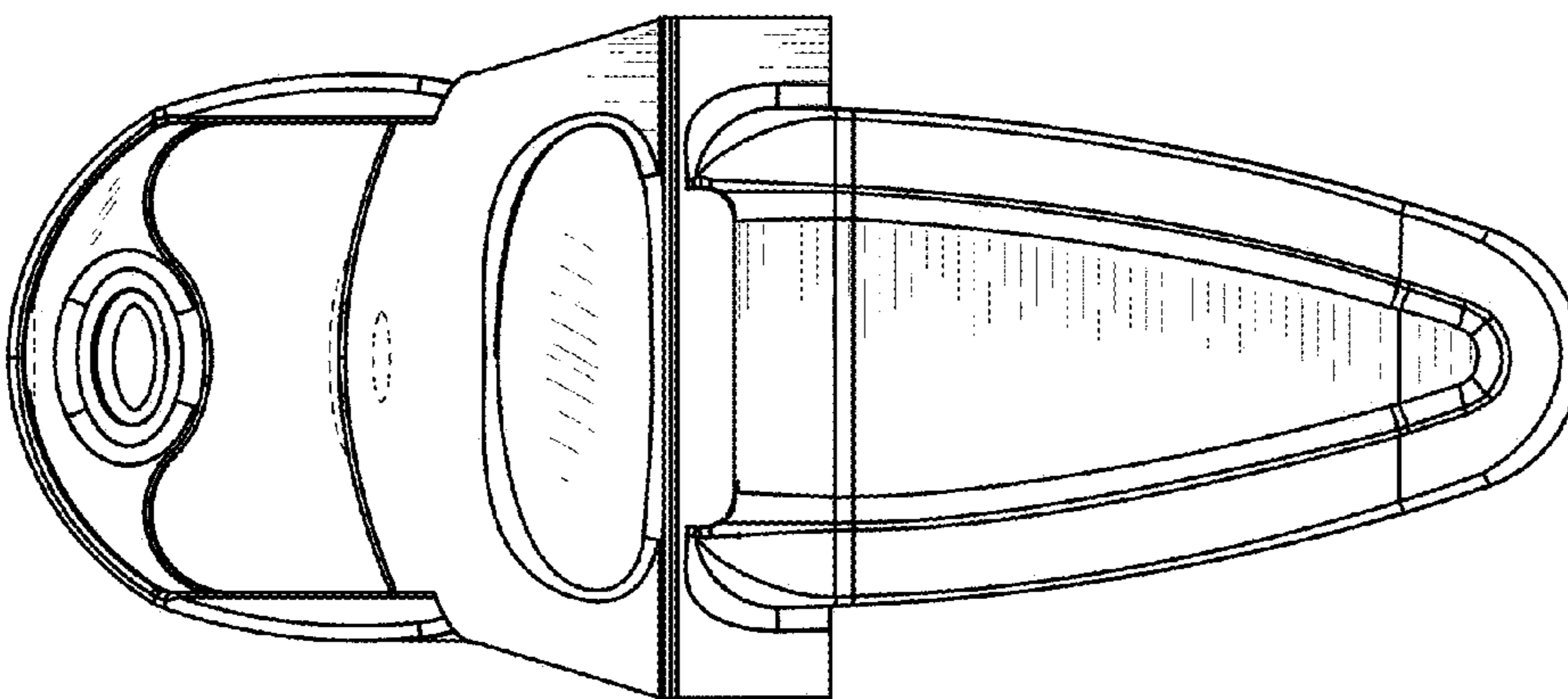


FIG. 8

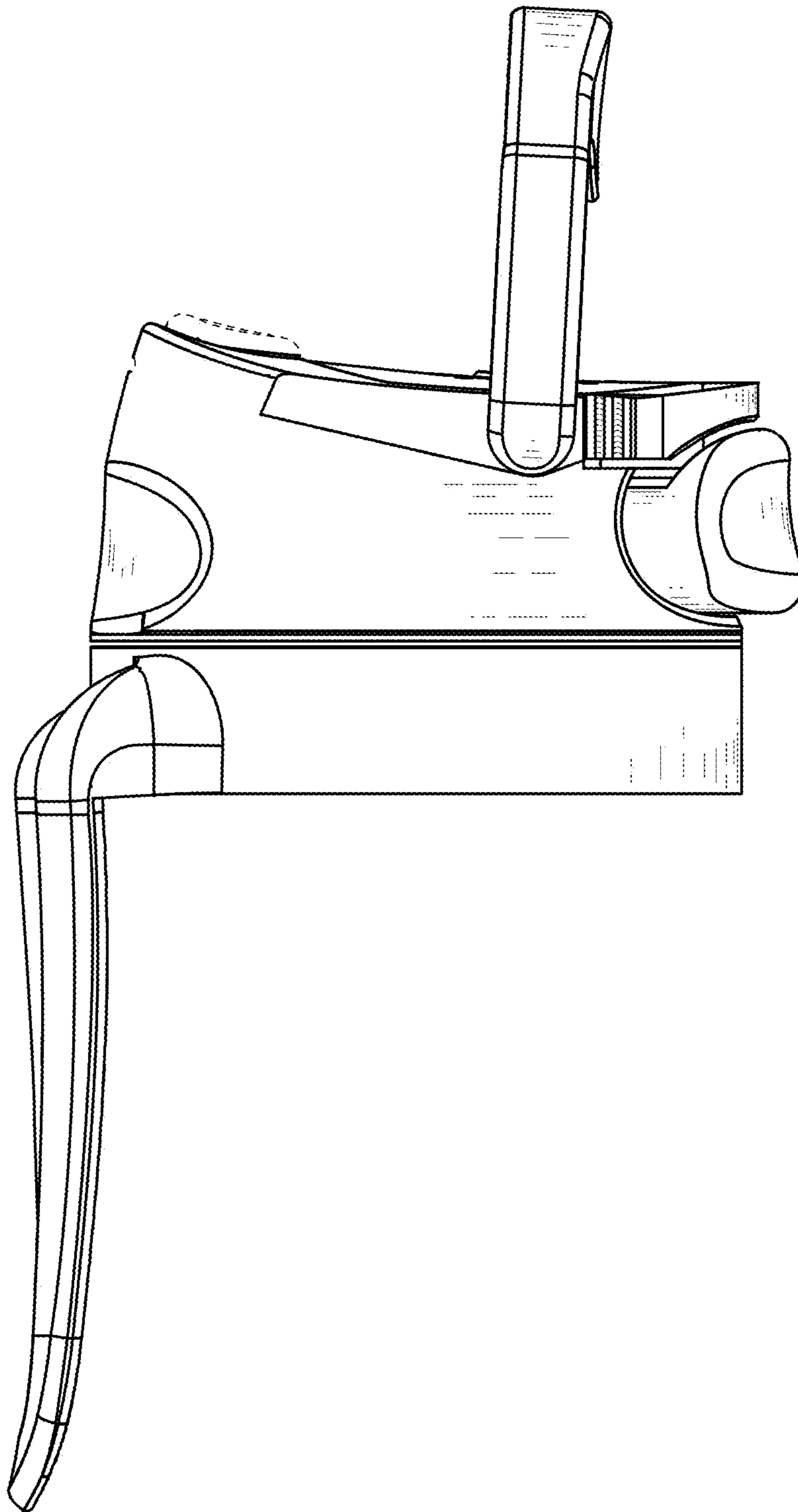


FIG. 10

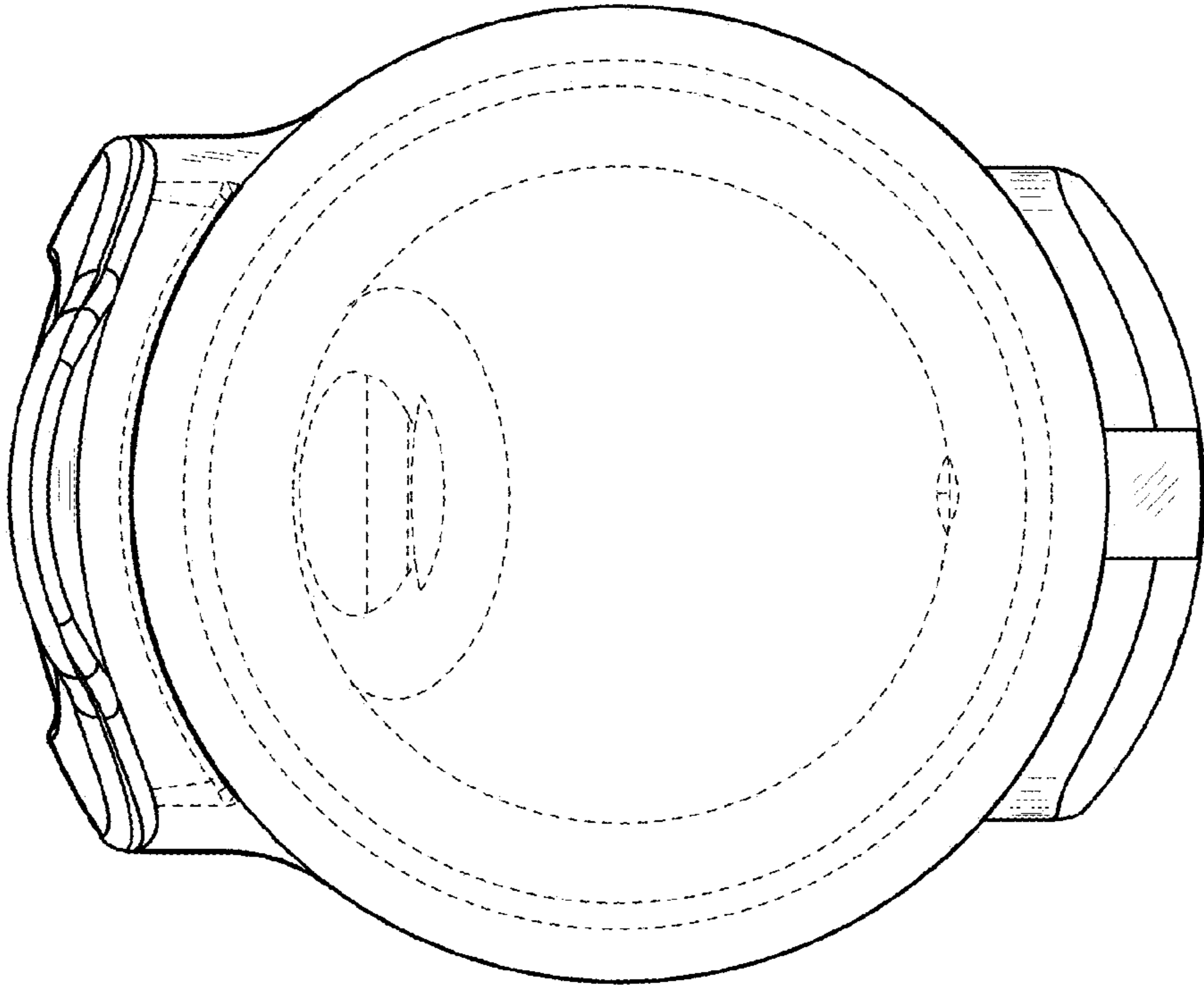


FIG. 12

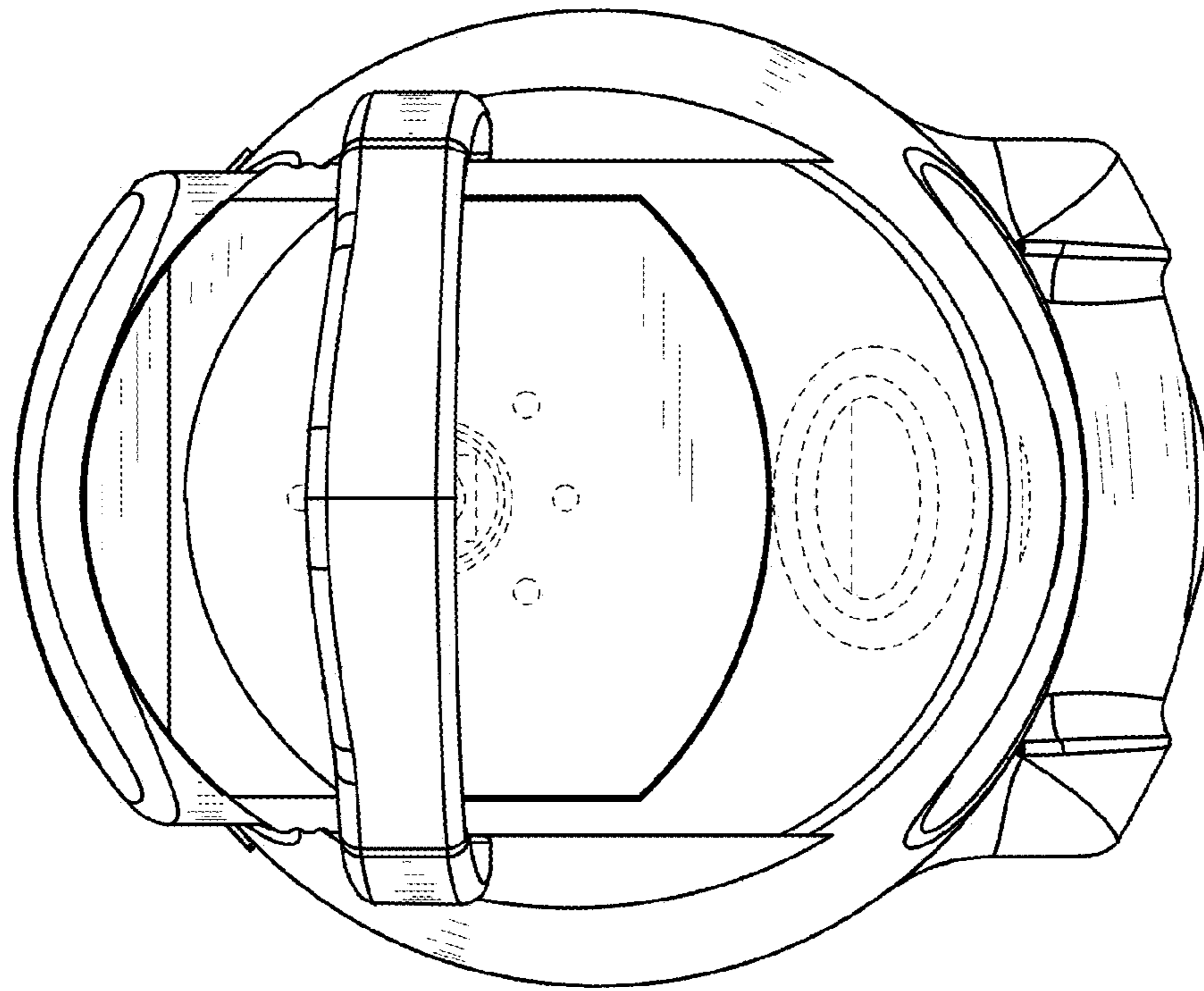


FIG. 11

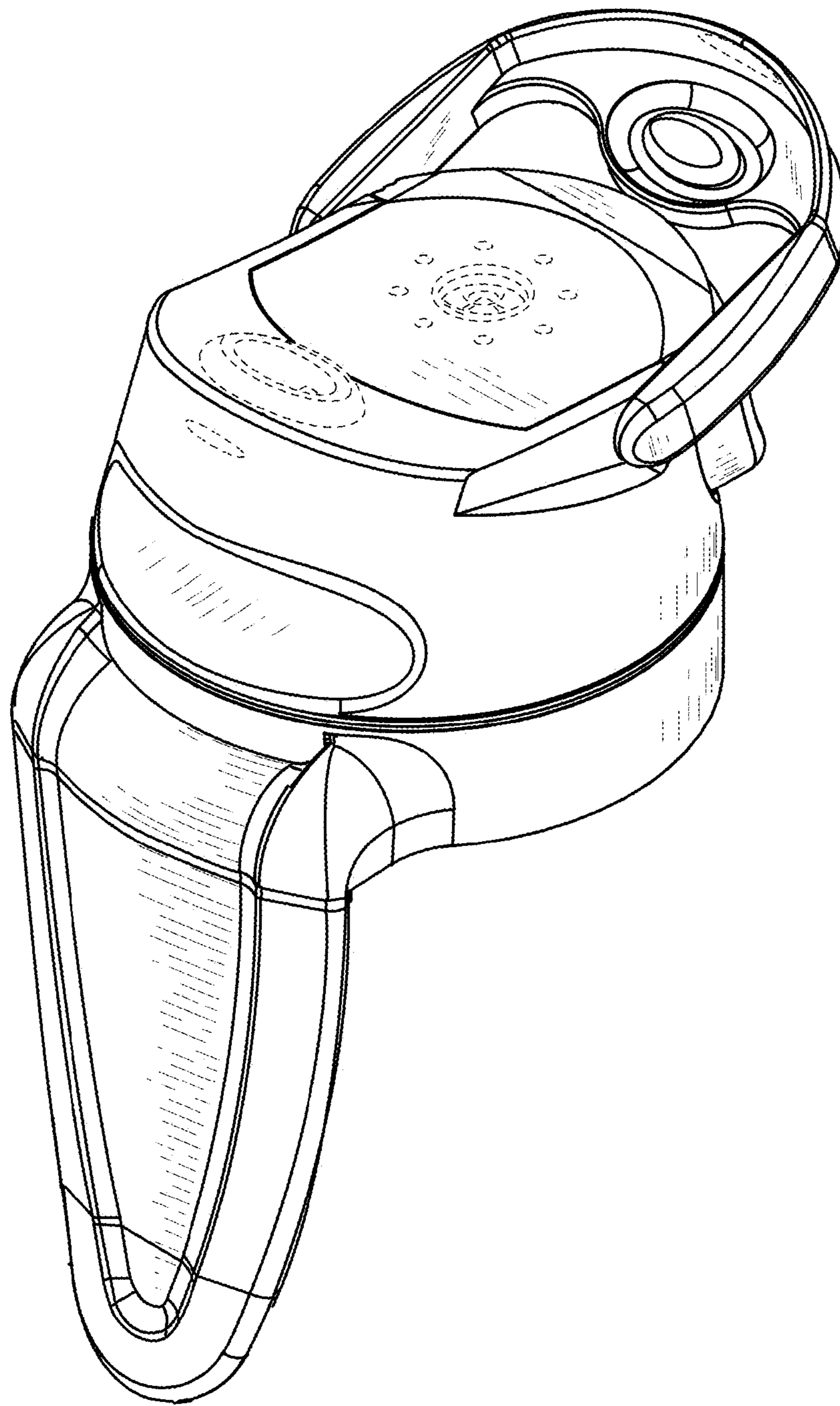


FIG. 13

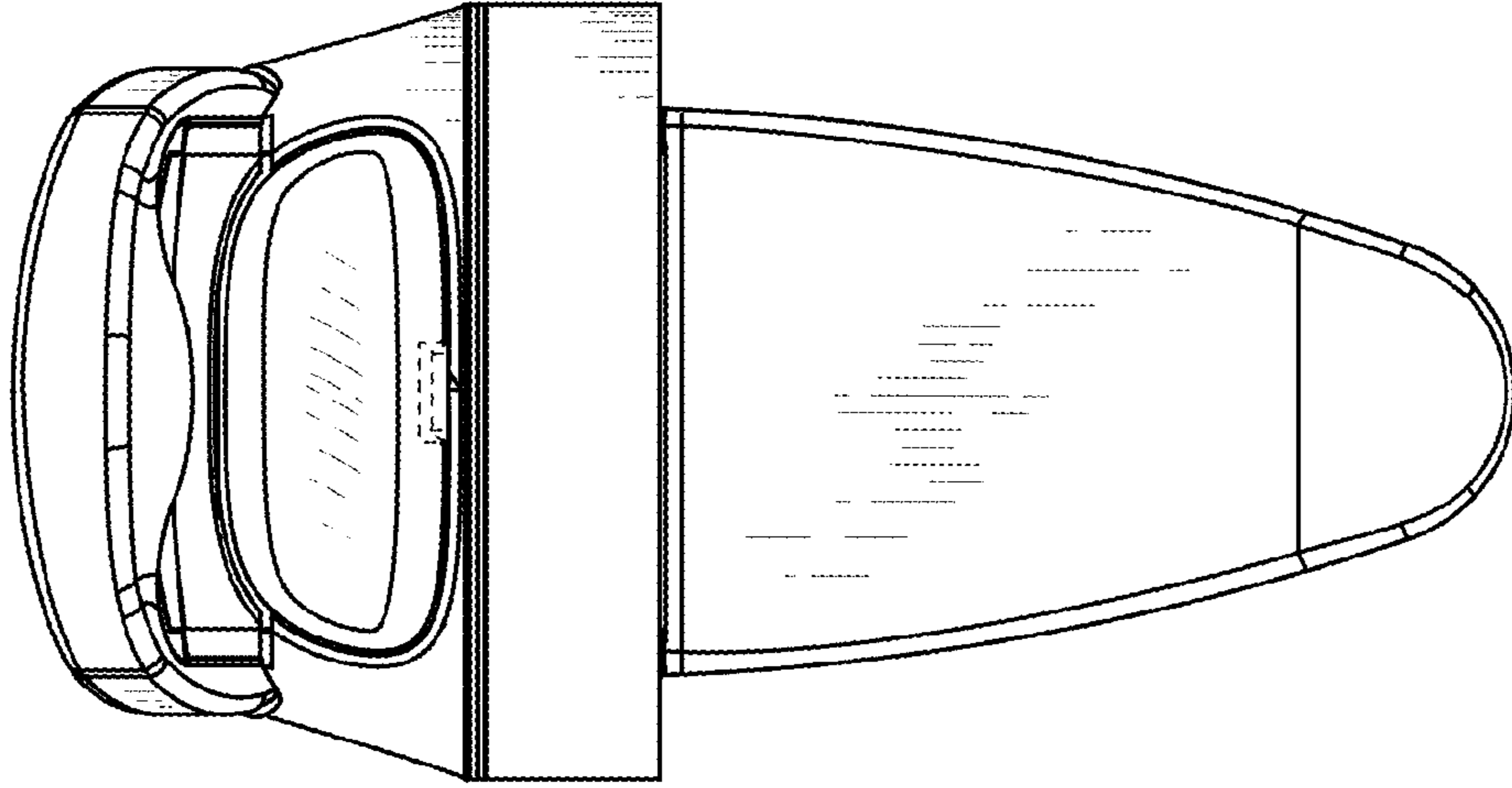


FIG. 14

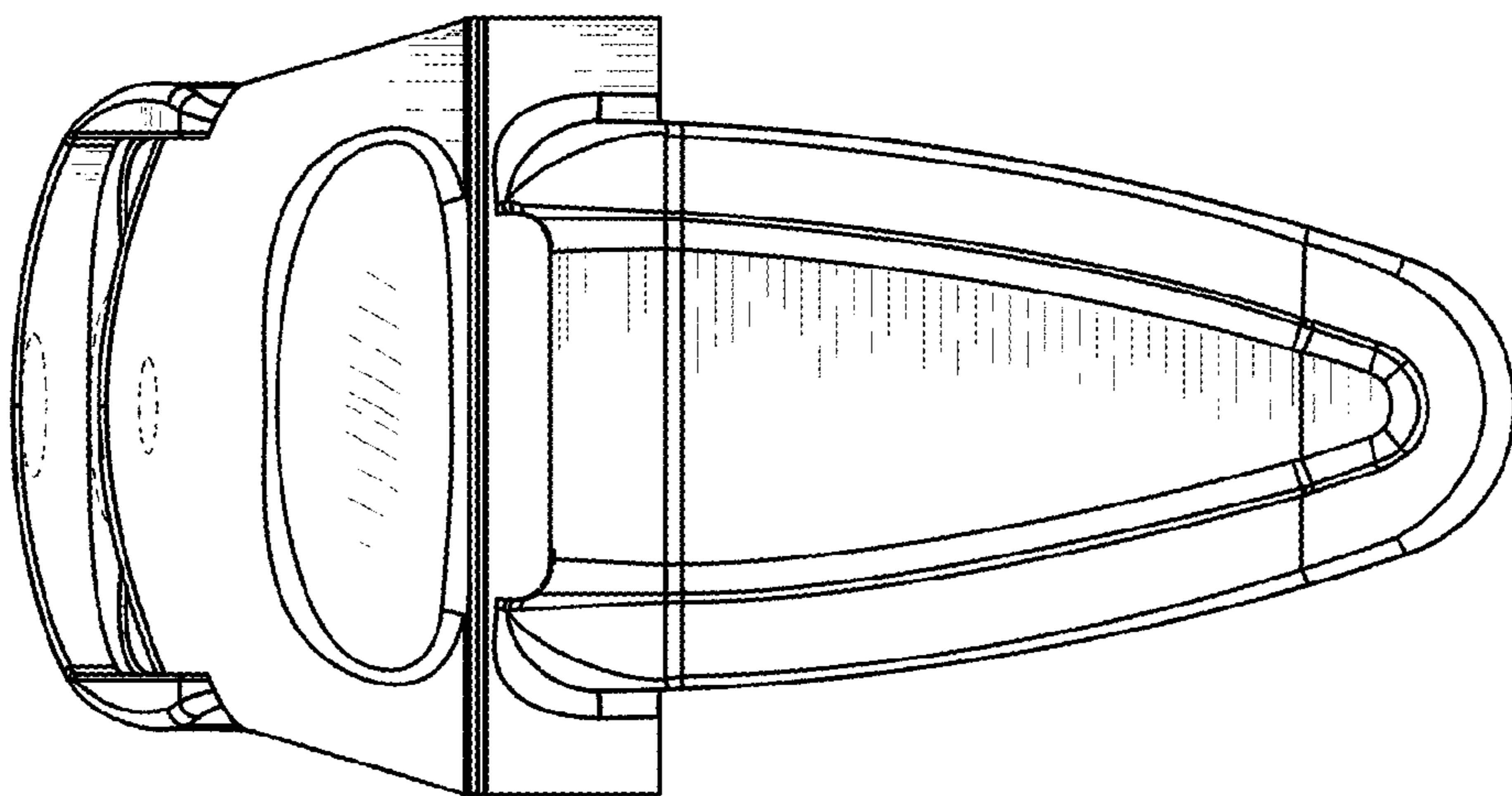


FIG. 15

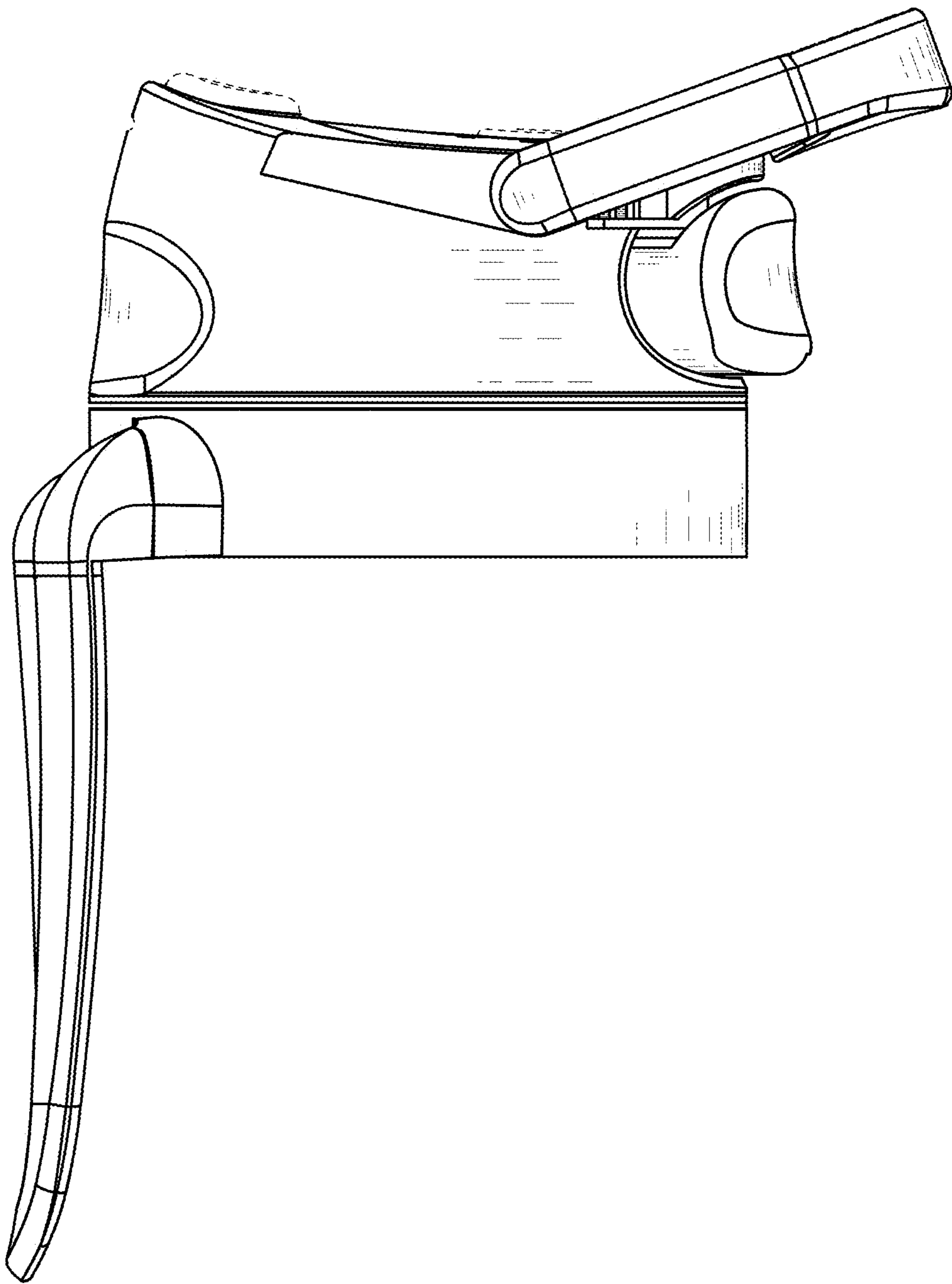


FIG. 16

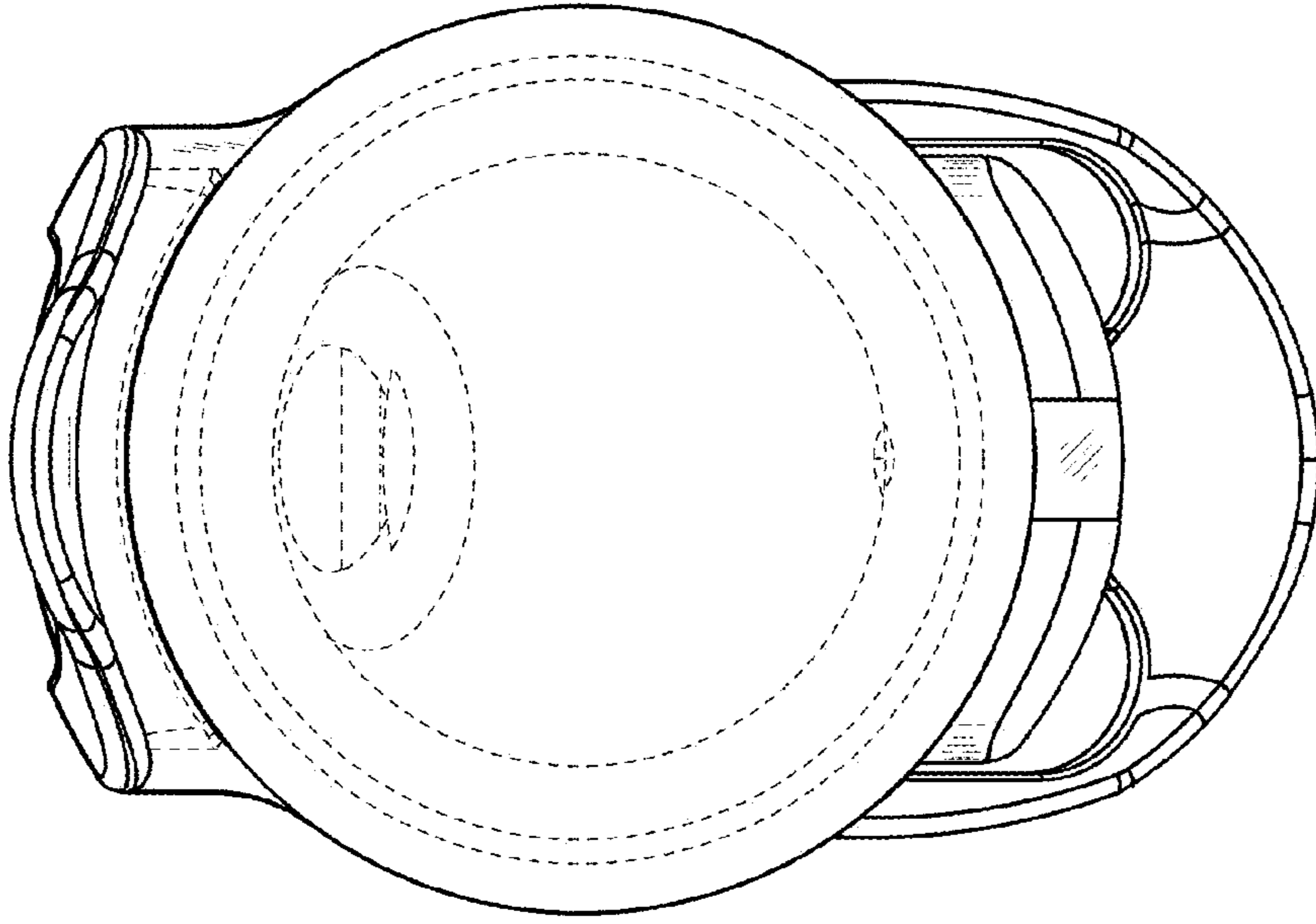


FIG. 17

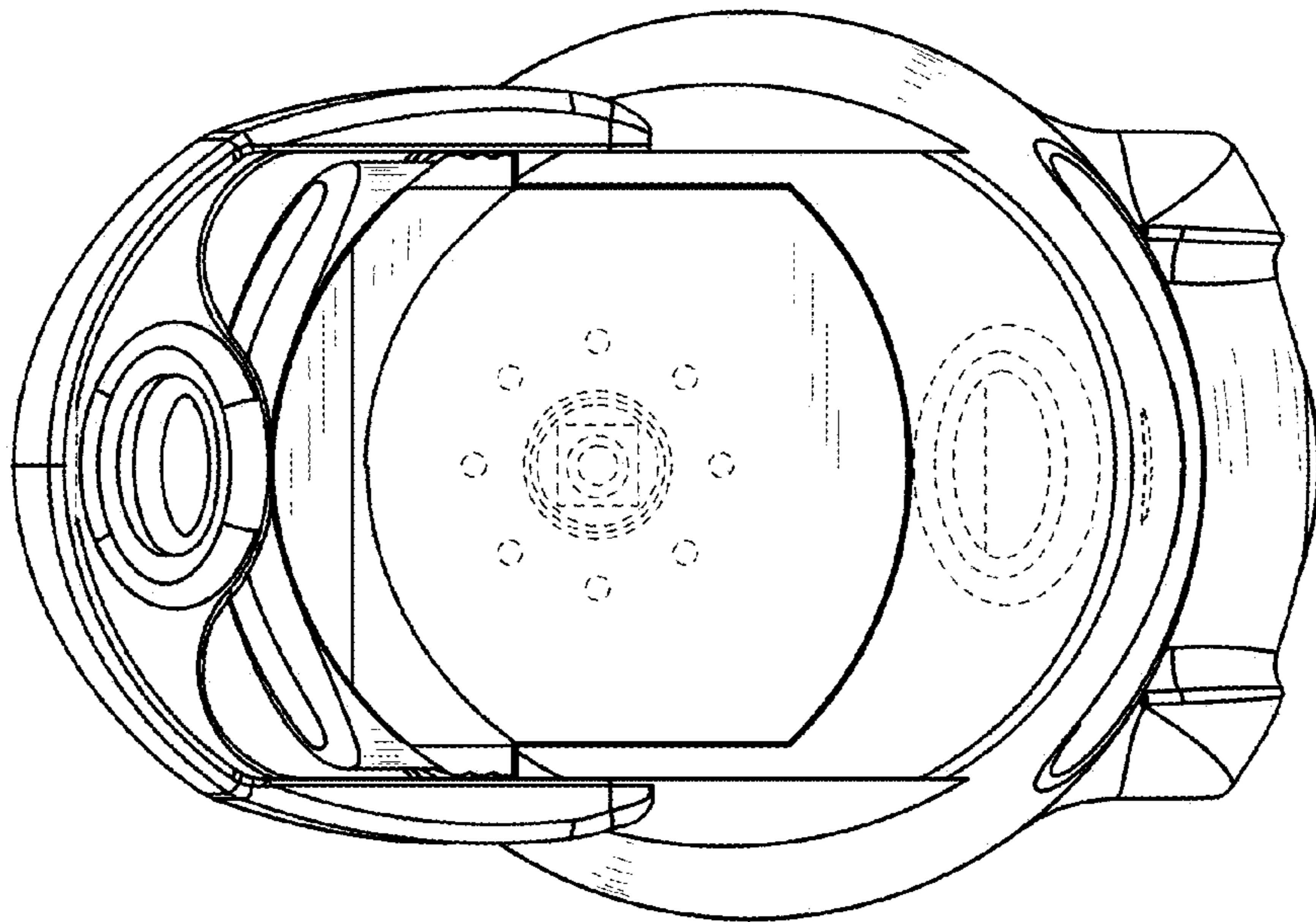


FIG. 18