



US00D769061S

(12) **United States Design Patent**
Diderotto

(10) **Patent No.:** **US D769,061 S**
(45) **Date of Patent:** **** Oct. 18, 2016**

(54) **ELECTRIC MIXER**

(71) Applicant: **SEB S.A.**, Ecully (FR)

(72) Inventor: **Sandrine Diderotto**, Dijon (FR)

(73) Assignee: **SEB S.A.**, Ecully (FR)

(**) Term: **15 Years**

(21) Appl. No.: **29/538,254**

(22) Filed: **Sep. 2, 2015**

(30) **Foreign Application Priority Data**

Mar. 2, 2015 (EM) 002643916-0001

(51) **LOC (10) Cl.** **31-00**

(52) **U.S. Cl.**
USPC **D7/378**; D7/376; D7/386; D7/412

(58) **Field of Classification Search**
USPC D7/372, 376-386, 412-413, 602, 629,
D7/665-666, 669, 679, 693-694

CPC A21C 1/02; A21C 1/04; A23N 1/00;
A23N 1/02; A47J 43/04; A47J 43/25; A47J
43/27; A47J 43/042; A47J 43/044; A47J
43/046; A47J 43/075; A47J 43/0722; A47J
43/0727; B01F 3/00; B01F 3/0807; B01F
3/0853; B01F 13/0059; B01F 13/0064;
B02C 1/08; B02C 2/04; B02C 4/42; B02C
4/142; B02C 4/143; B02C 4/423; B02C
13/1835; B28C 5/10; B28C 5/12; B28C
5/14; B28C 5/16; H02P 7/295

See application file for complete search history.

(56) **References Cited**

U.S. PATENT DOCUMENTS

D181,541 S * 11/1957 Madl et al. D7/378
D187,684 S * 4/1960 Hauser D7/378

D200,494 S * 3/1965 Bezark D7/378
D204,117 S * 3/1966 Di Sesa D7/378
3,548,280 A * 12/1970 Cockroft H02P 7/295
241/282.1
D616,244 S * 5/2010 Thai D7/378
D642,857 S * 8/2011 Bodum D7/376
D642,858 S * 8/2011 Lazzer D7/376
D690,152 S * 9/2013 Palermo D7/376
D702,078 S * 4/2014 Coakley D7/376
D731,234 S * 6/2015 Weaden D7/376
D747,135 S * 1/2016 Ha D7/376
D758,787 S * 6/2016 Ou D7/376

* cited by examiner

Primary Examiner — Ricky Pham

(74) *Attorney, Agent, or Firm* — Loeb & Loeb LLP

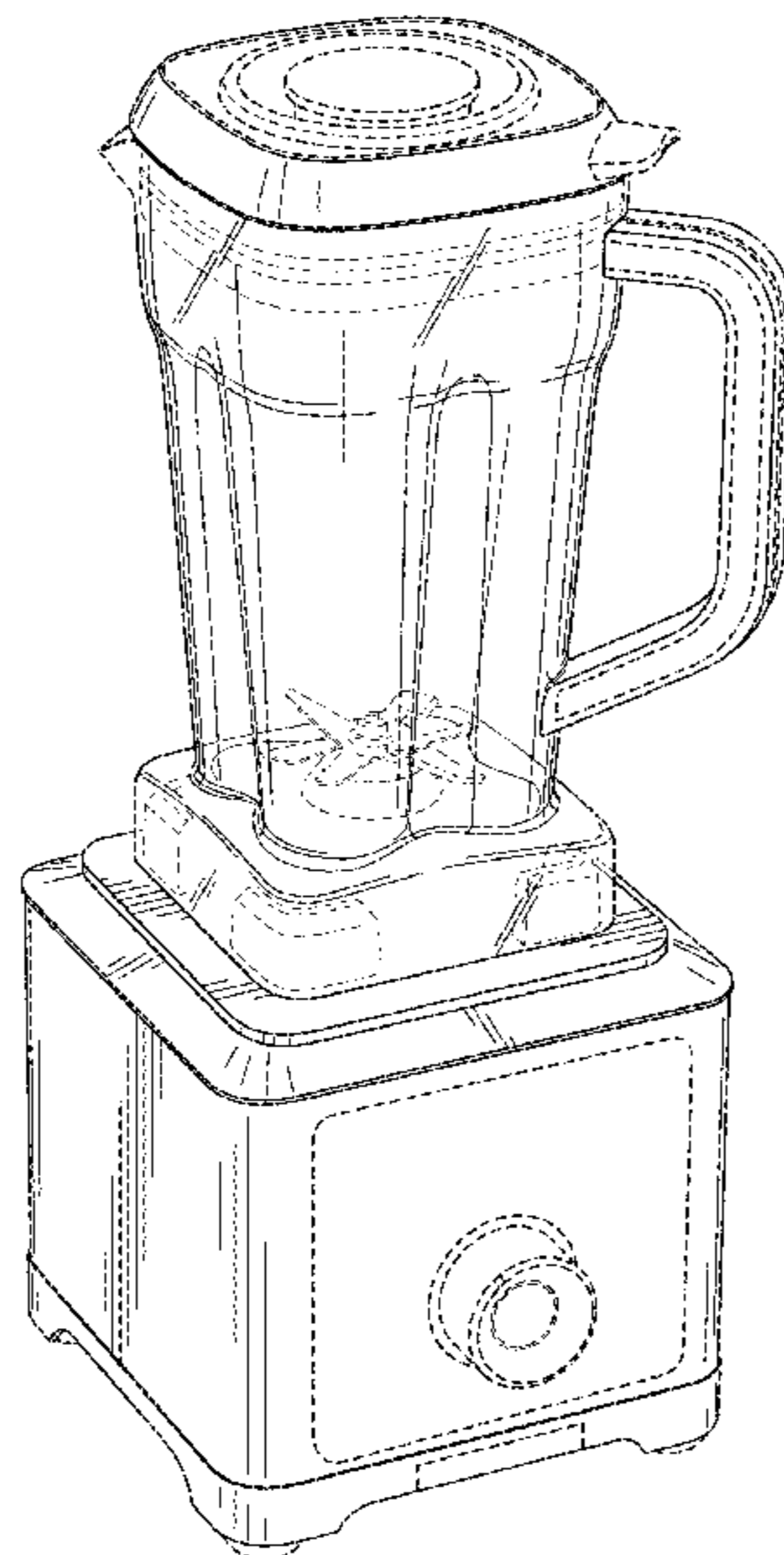
(57) **CLAIM**

The ornamental design for an electric mixer, as shown and described.

DESCRIPTION

FIG. 1 is a perspective view of an electric mixer showing my new design;
FIG. 2 is a front elevational view of the electric mixer of FIG. 1;
FIG. 3 is a back elevational view of the electric mixer of FIG. 1;
FIG. 4 is a right side elevational view of the electric mixer of FIG. 1;
FIG. 5 is a left side elevational view of the electric mixer of FIG. 1; and,
FIG. 6 is a top view of the electric mixer of FIG. 1.
The broken lines appearing in the figures are for the purpose of illustrating the environmental structure of the article and form no part of the claimed design.

1 Claim, 6 Drawing Sheets



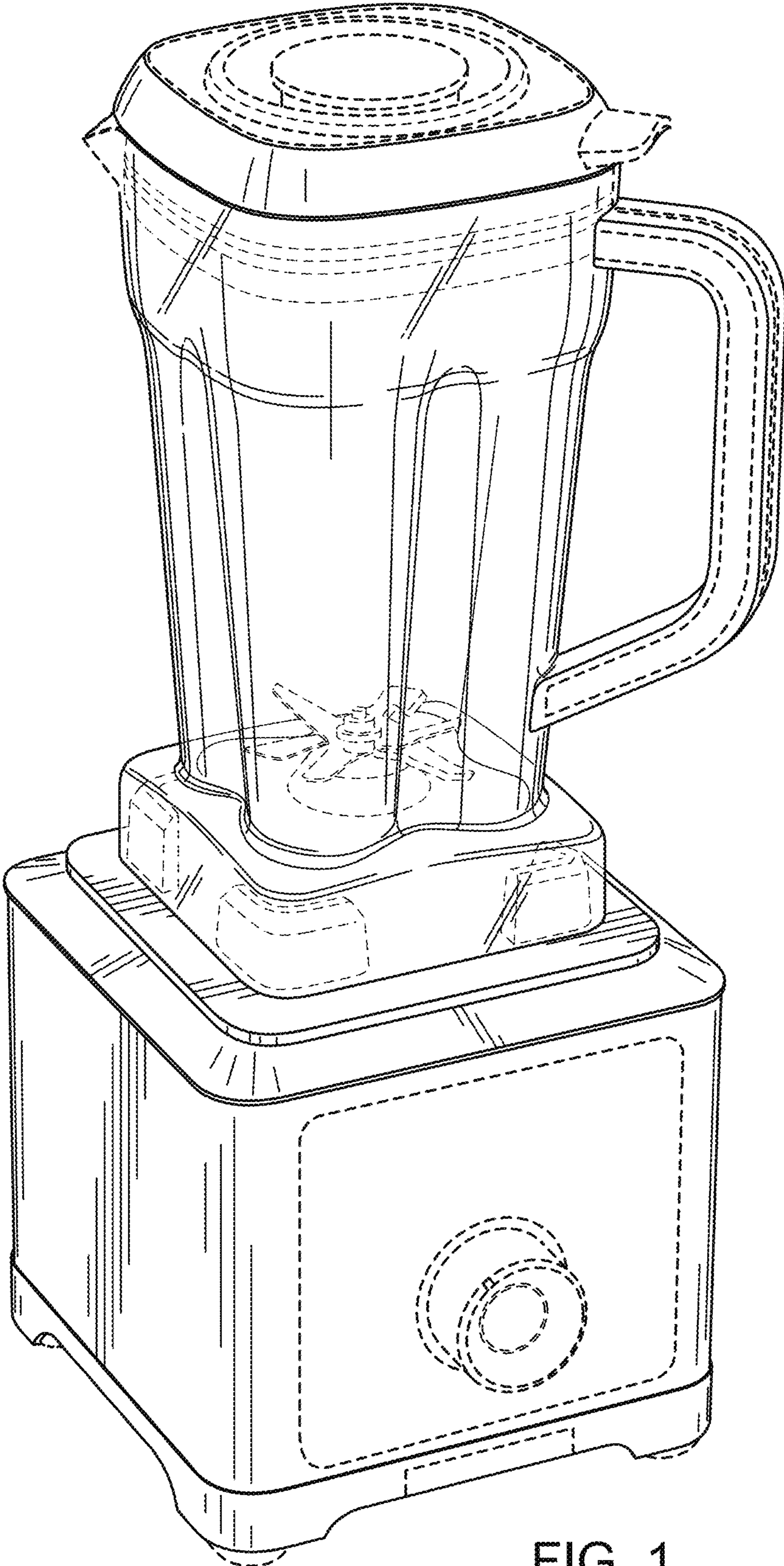


FIG. 1

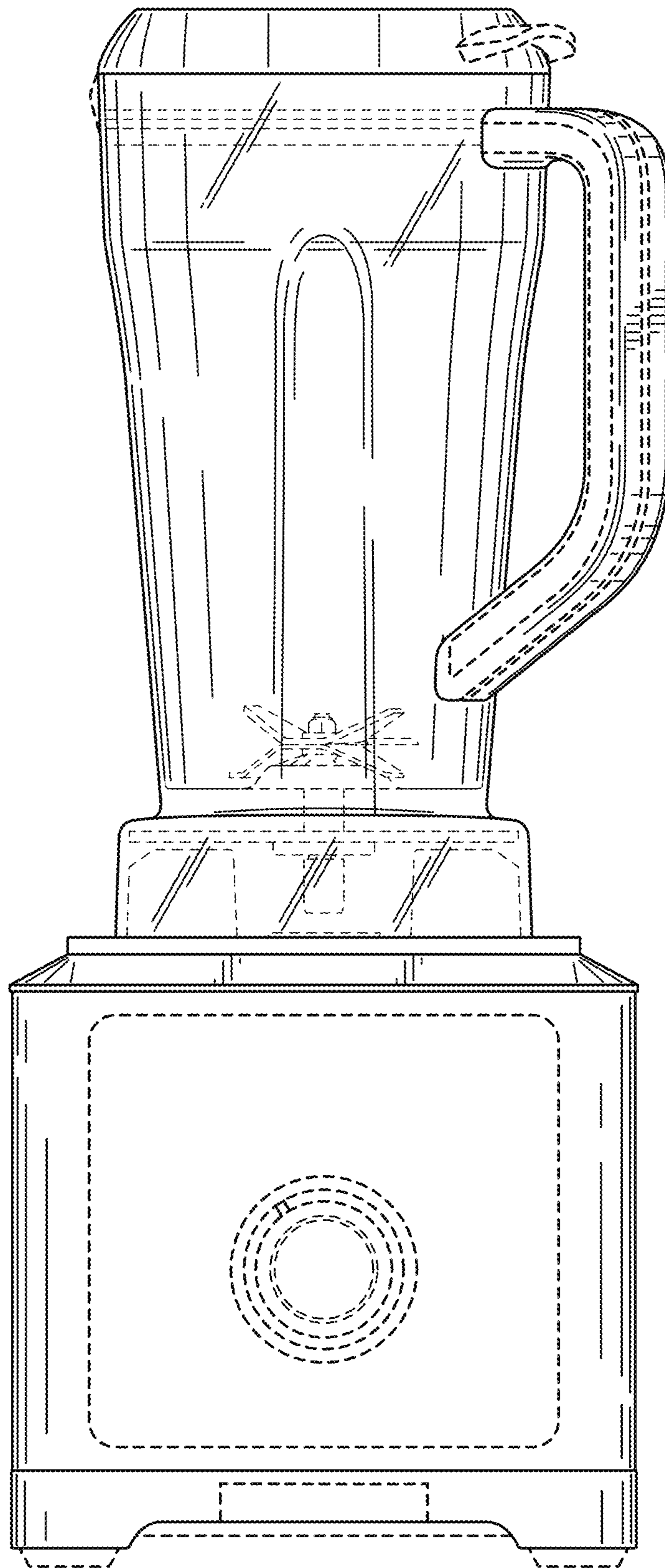


FIG. 2

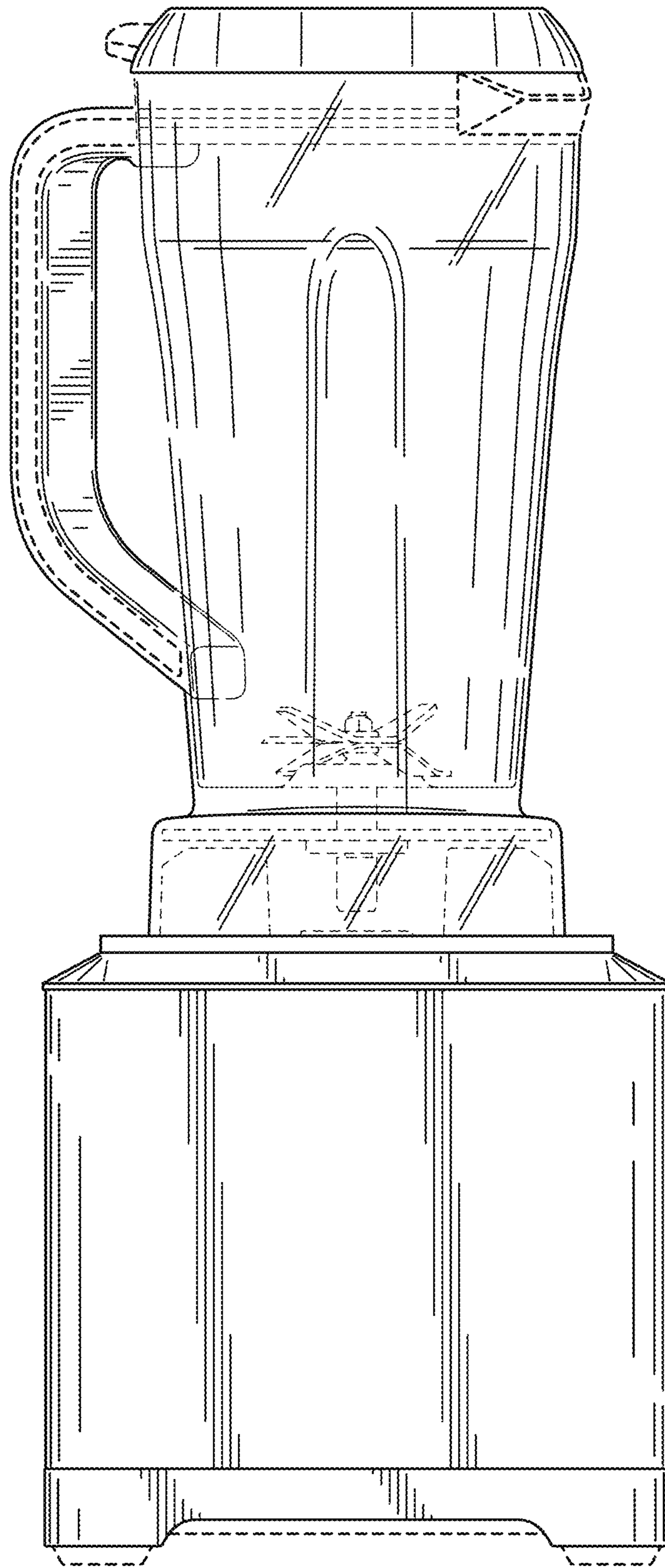


FIG. 3

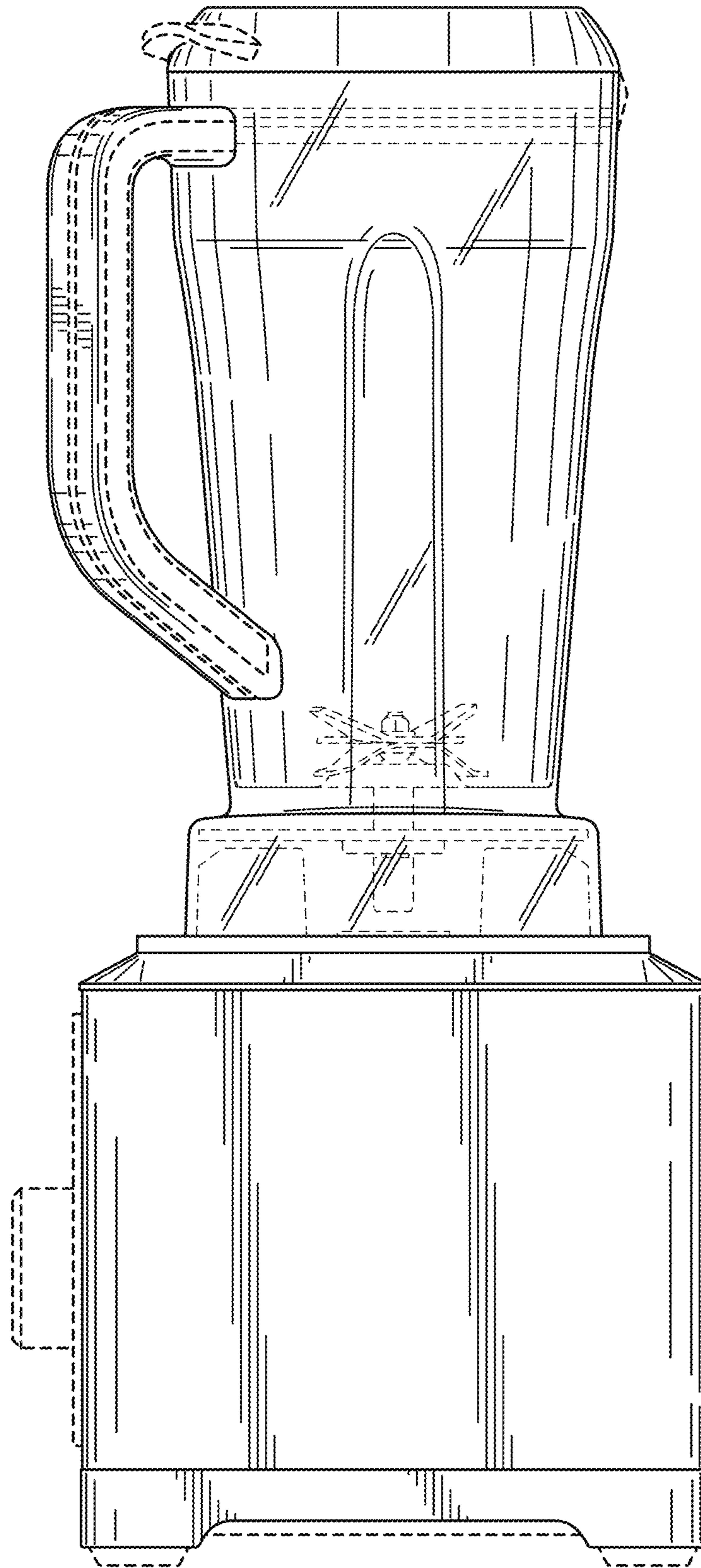


FIG. 4

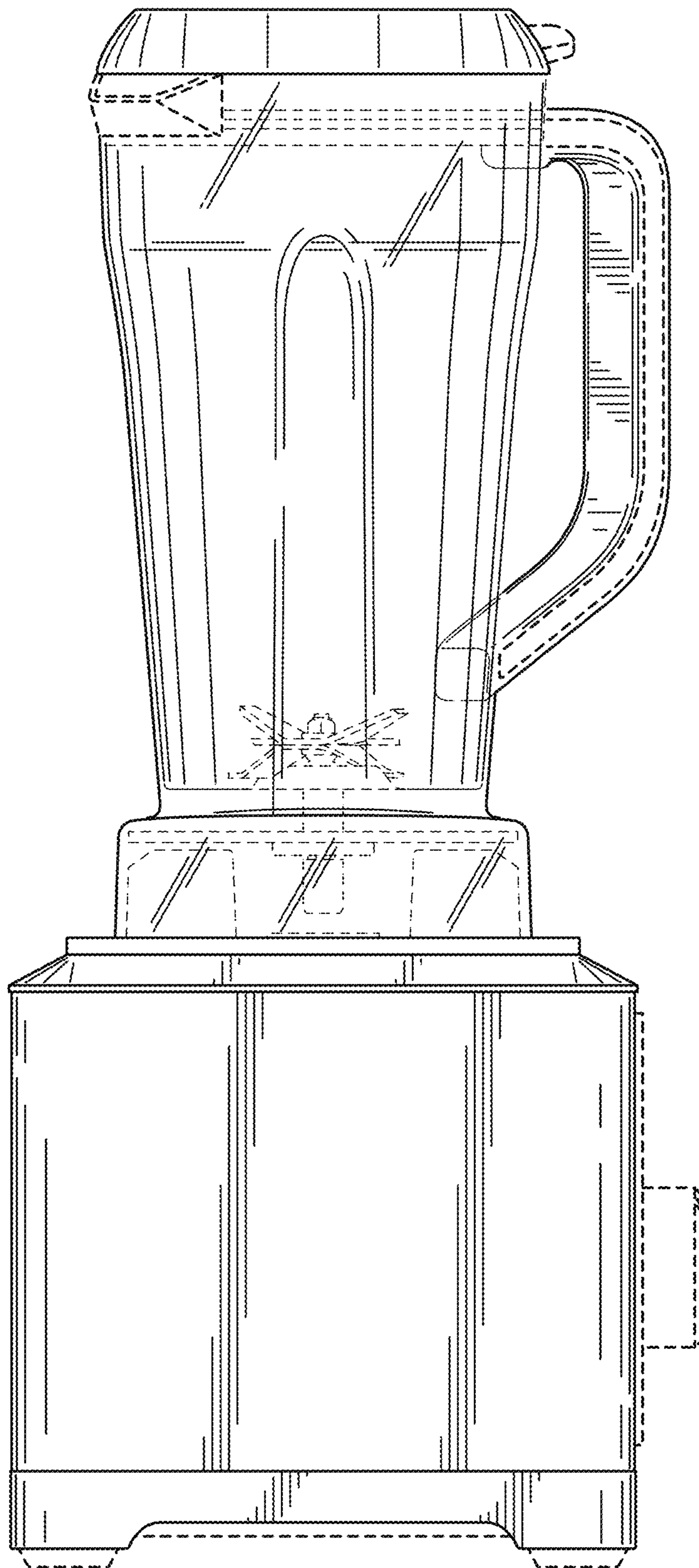


FIG. 5

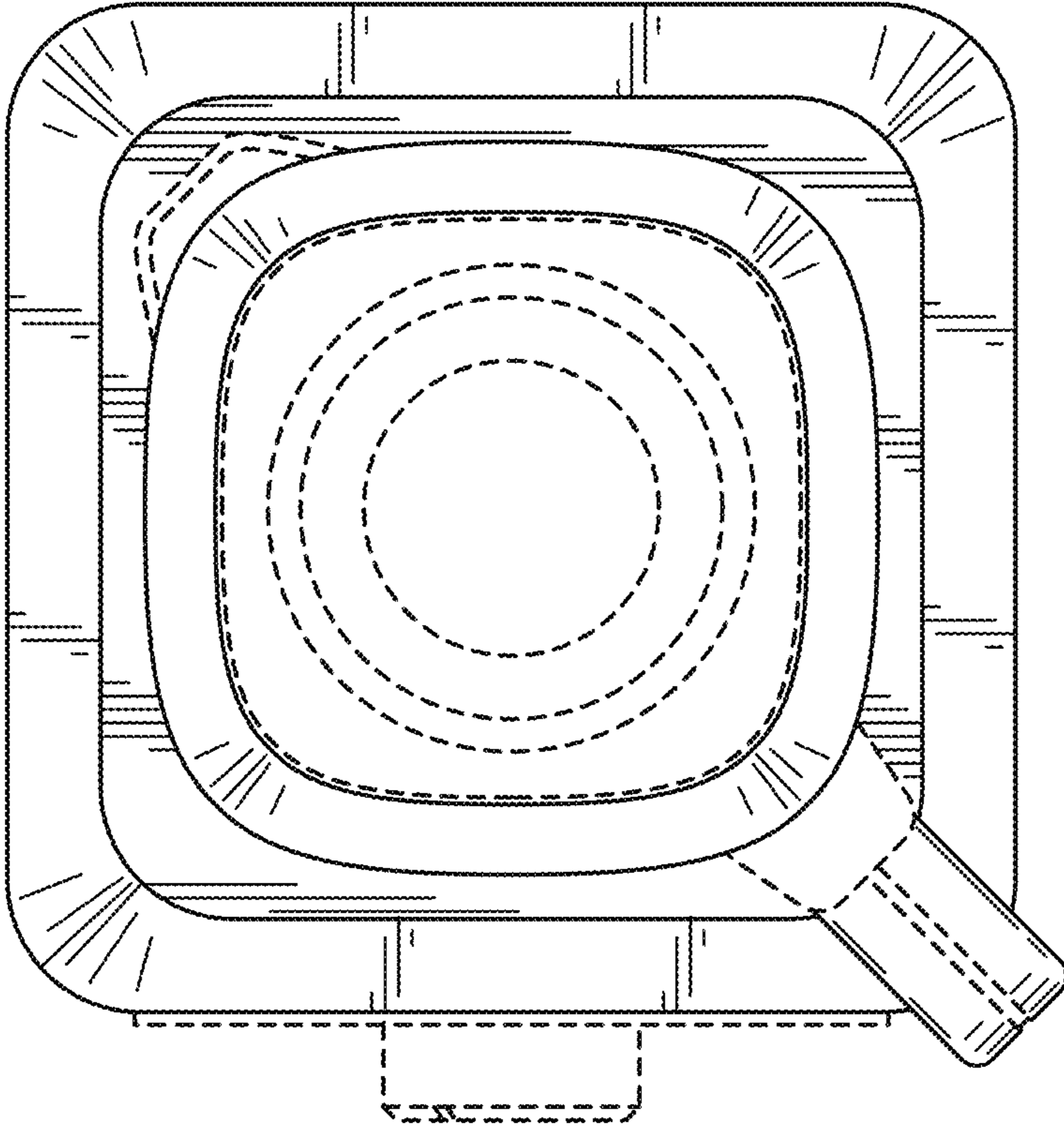


FIG. 6