

US00D769060S

(12) **United States Design Patent** (10) **Patent No.:** **US D769,060 S**  
**Klein** (45) **Date of Patent:** **\*\* Oct. 18, 2016**

(54) **VEGETABLE FERMENTING KITCHENWARE**

D364,566 S \* 11/1995 Douer ..... D9/436  
D490,315 S \* 5/2004 Kiser ..... 206/219  
D611,295 S \* 3/2010 Wai ..... D7/368  
2003/0213709 A1\* 11/2003 Gibler ..... B65D 51/2842  
206/219

(71) Applicant: **Eric Klein**, San Francisco, CA (US)

(72) Inventor: **Eric Klein**, San Francisco, CA (US)

\* cited by examiner

(\*\*) Term: **14 Years**

*Primary Examiner* — Terry Wallace

(21) Appl. No.: **29/511,206**

(74) *Attorney, Agent, or Firm* — Thomas M. Freiburger

(22) Filed: **Dec. 8, 2014**

(51) **LOC (10) Cl.** ..... **07-07**

(52) **U.S. Cl.**

USPC ..... **D7/368**; D9/434

(58) **Field of Classification Search**

USPC ..... D6/368, 510, 511, 629; D9/434-436,  
D9/443, 445, 447, 449, 499

CPC .... B65D 51/2842; A23B 7/105; C12C 9/00;  
C12C 11/00; C12C 11/003

See application file for complete search history.

(57) **CLAIM**

The ornamental design for vegetable fermenting kitchenware, as shown and described.

**DESCRIPTION**

FIG. 1 is a front view of vegetable fermenting kitchenware showing my new design;

FIG. 2 is a back view thereof;

FIG. 3 is a right side view thereof;

FIG. 4 is a top back right perspective view thereof;

FIG. 5 is a top front right perspective view thereof; and,

FIG. 6 is a top perspective view thereof.

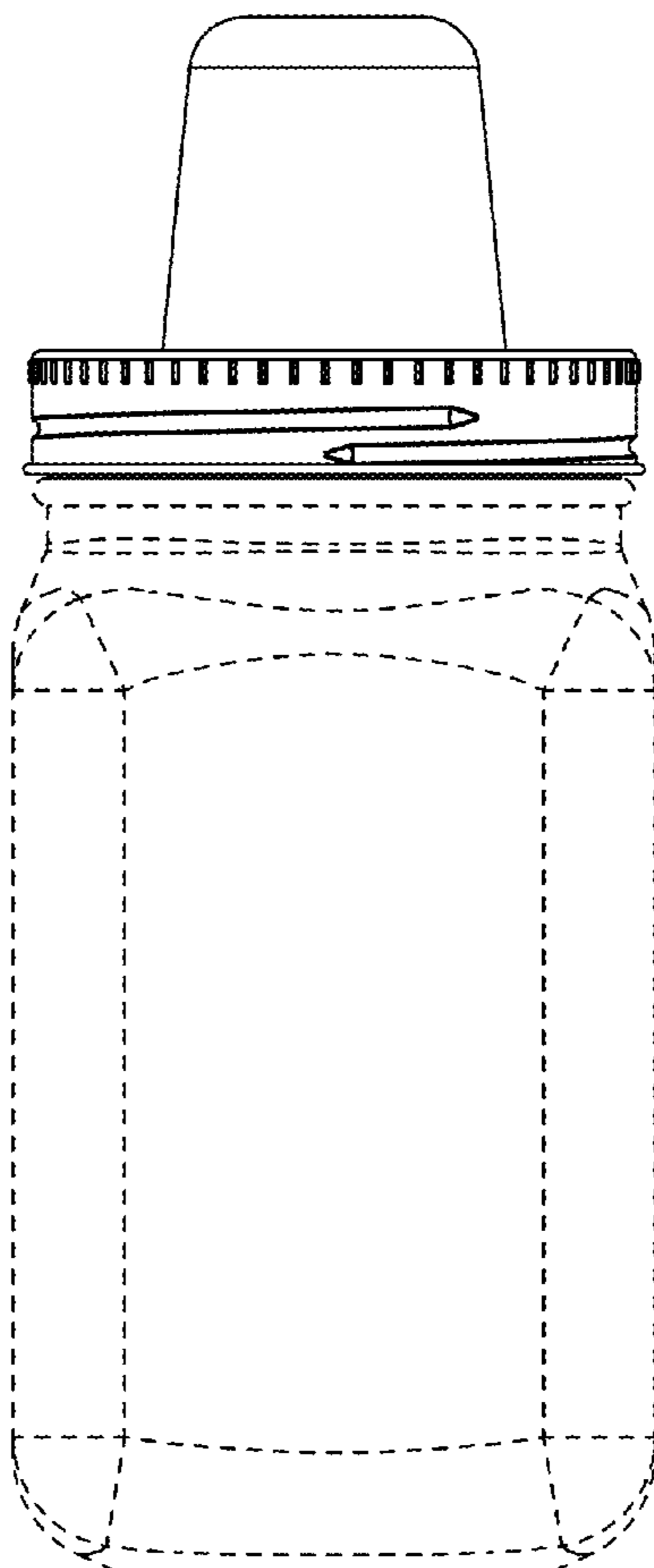
That which is depicted in solid lines in the drawings represents the claimed design. A Mason jar, depicted in broken lines in FIGS. 1-6, forms no part of the claimed design.

(56) **References Cited**

U.S. PATENT DOCUMENTS

D278,311 S \* 4/1985 Brown ..... D9/436  
4,717,031 A \* 1/1988 Hewson ..... C12C 11/003  
215/384

**1 Claim, 6 Drawing Sheets**



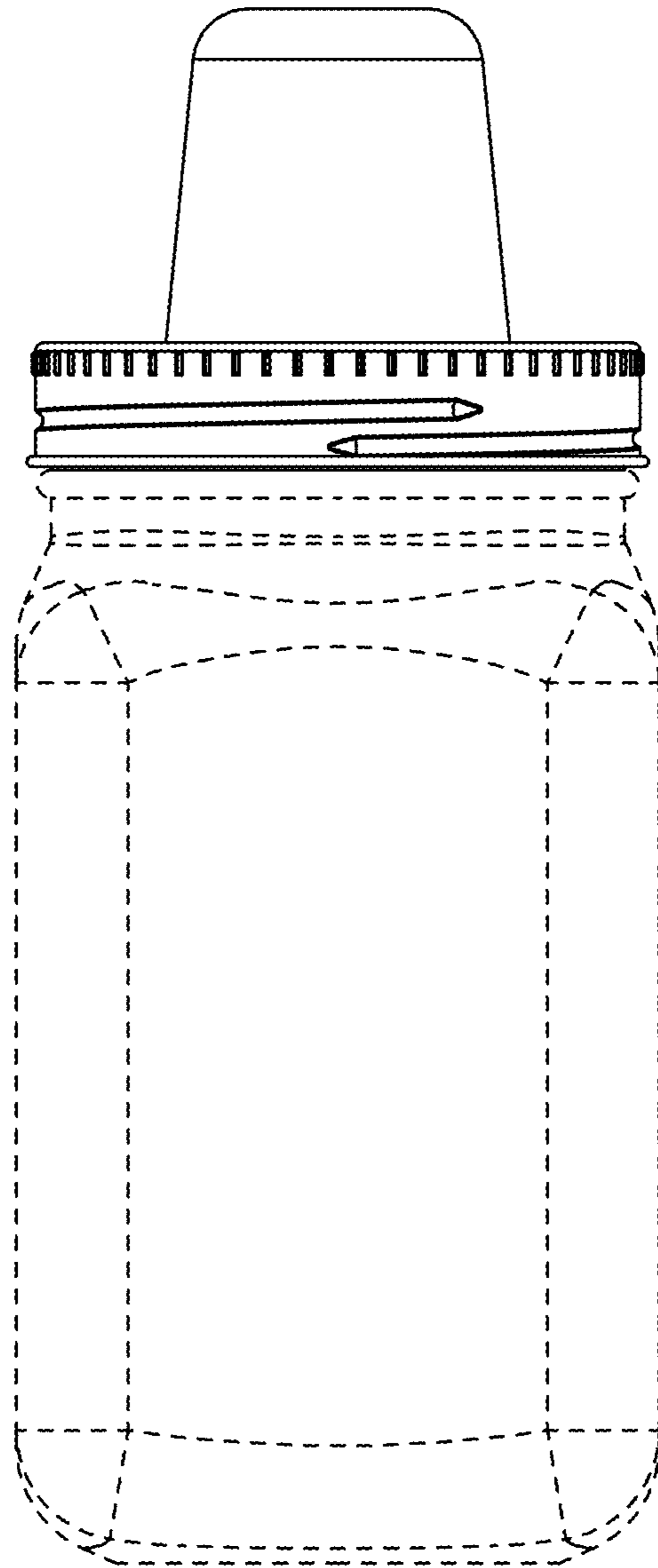


Fig. 1

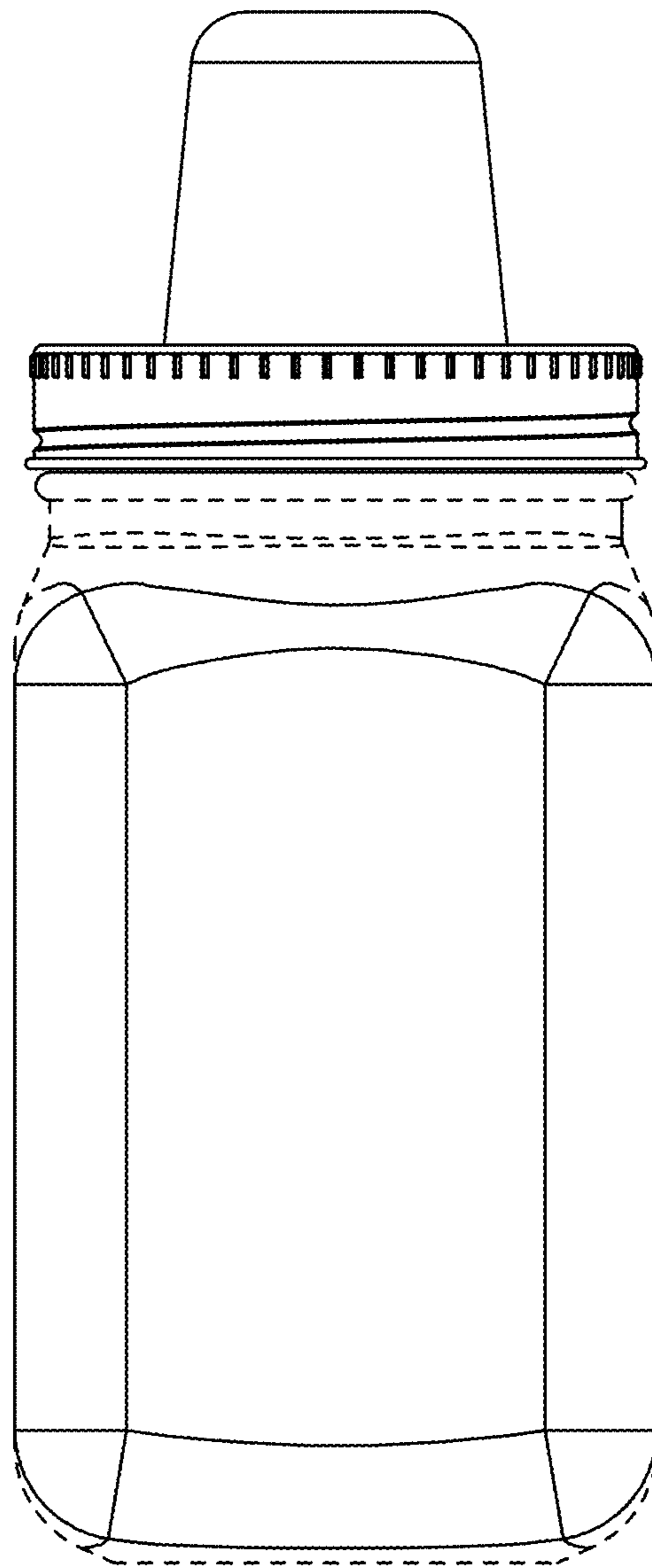


Fig. 2

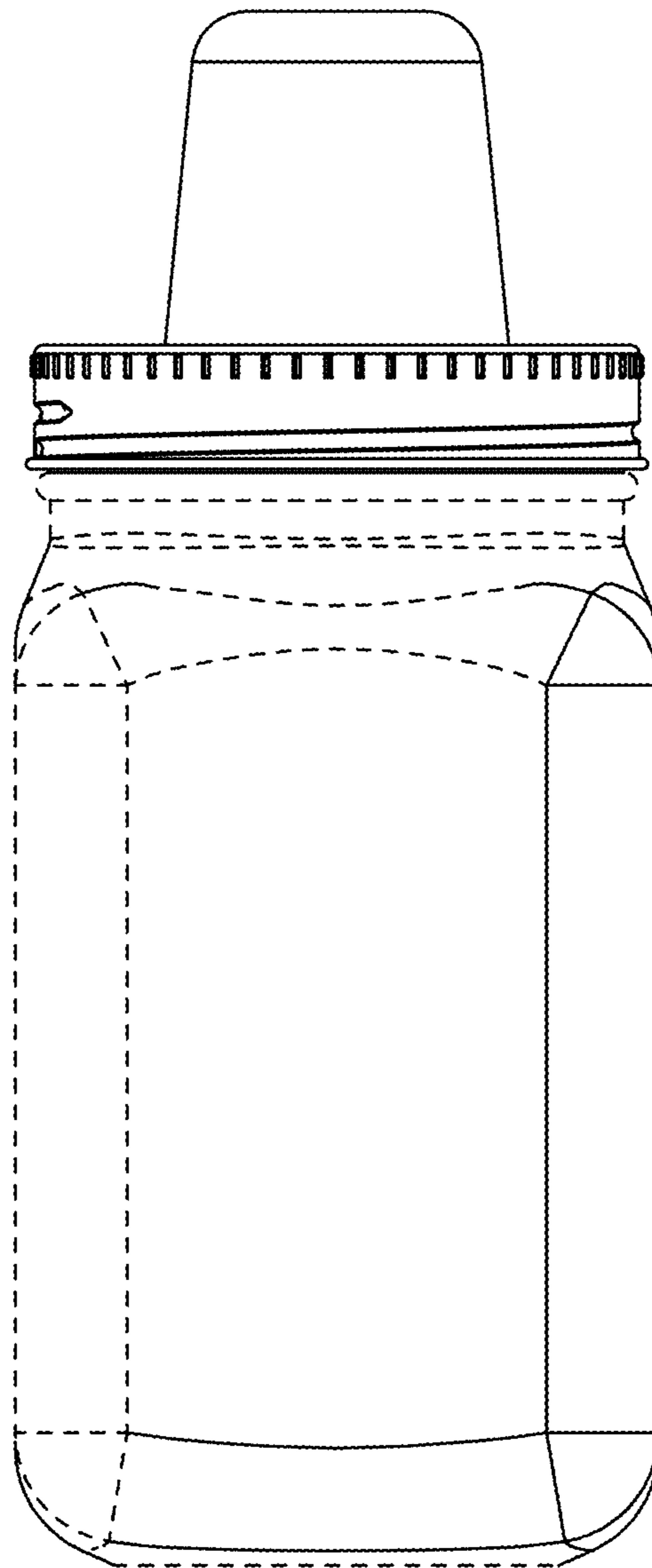


Fig. 3

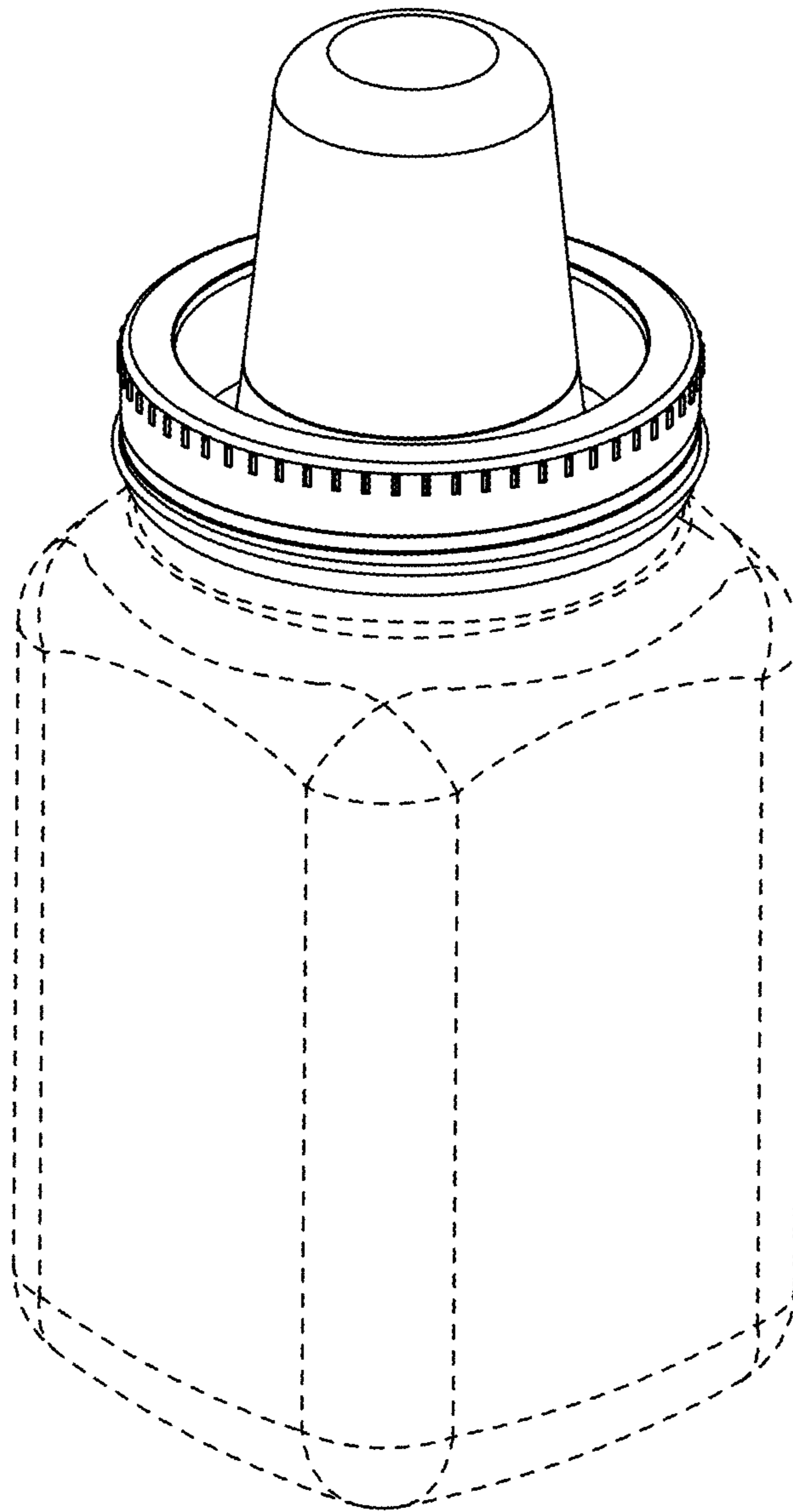


Fig. 4

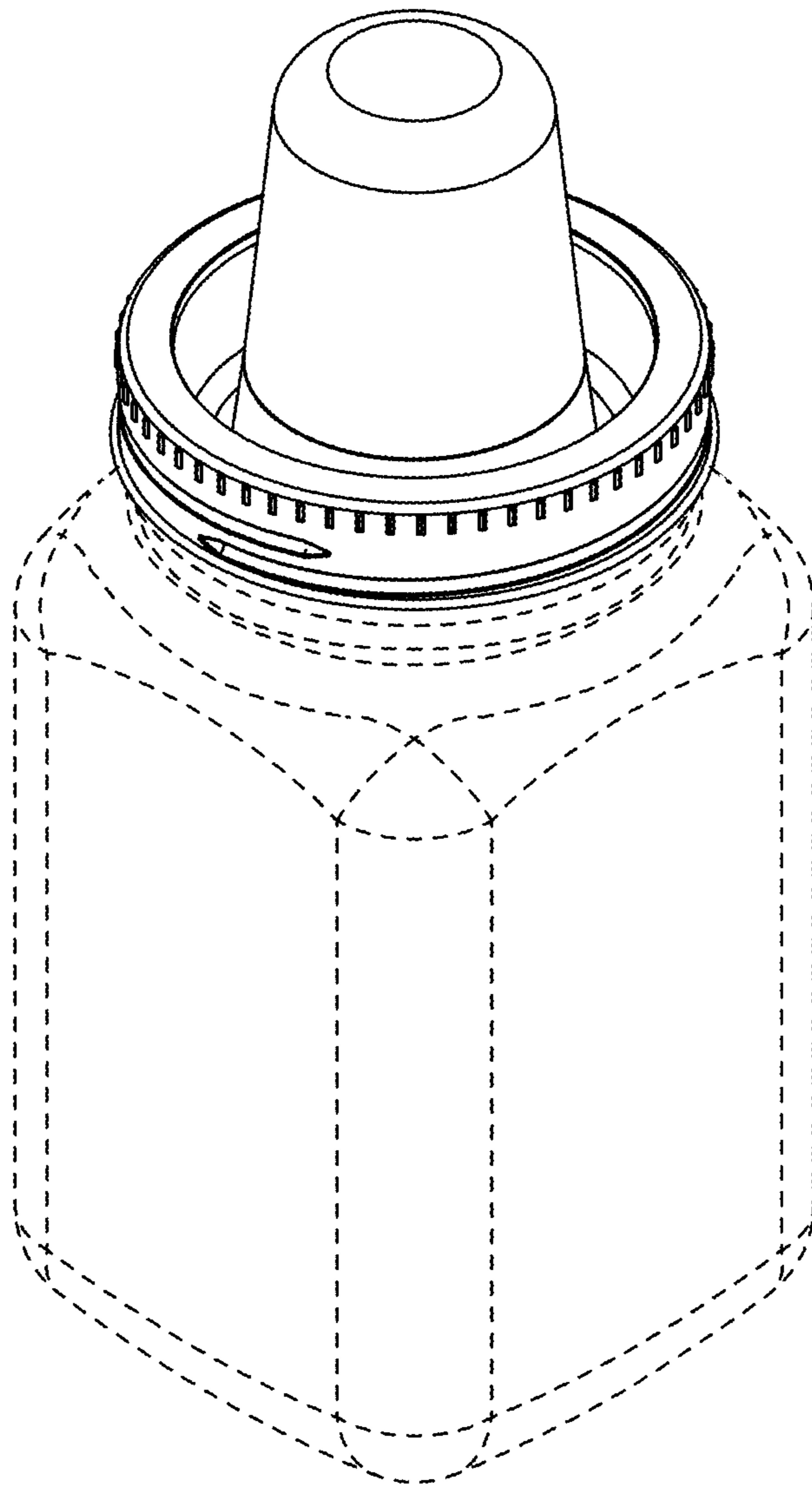


Fig. 5

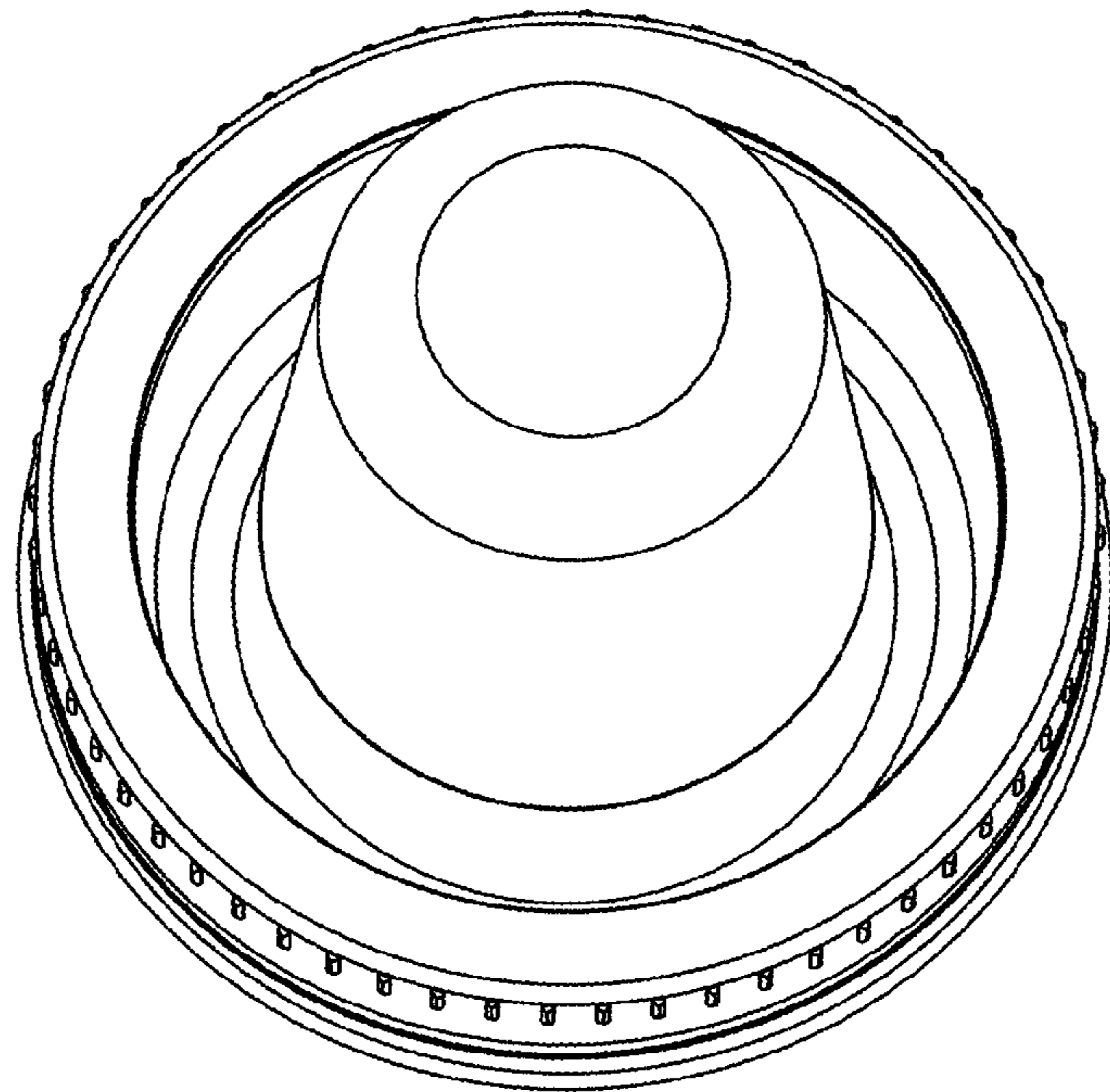


Fig. 6



US00D769060C1

(12) **EX PARTE REEXAMINATION CERTIFICATE** (11560th)  
**United States Patent**  
**Klein**

(10) **Number:** **US D769,060 C1**  
(45) **Certificate Issued:** **Aug. 20, 2019**

(54) **VEGETABLE FERMENTING  
KITCHENWARE**

(71) Applicant: **Eric Klein**, San Francisco, CA (US)

(72) Inventor: **Eric Klein**, San Francisco, CA (US)

**Reexamination Request:**

No. 90/014,024, Oct. 9, 2017

**Reexamination Certificate for:**

Patent No.: **Des. 769,060**

Issued: **Oct. 18, 2016**

Appl. No.: **29/511,206**

Filed: **Dec. 8, 2014**

(51) **LOC (12) Cl.** ..... **07-07**

(52) **U.S. Cl.**

USPC ..... **D7/368; D9/434**

(58) **Field of Classification Search**

None

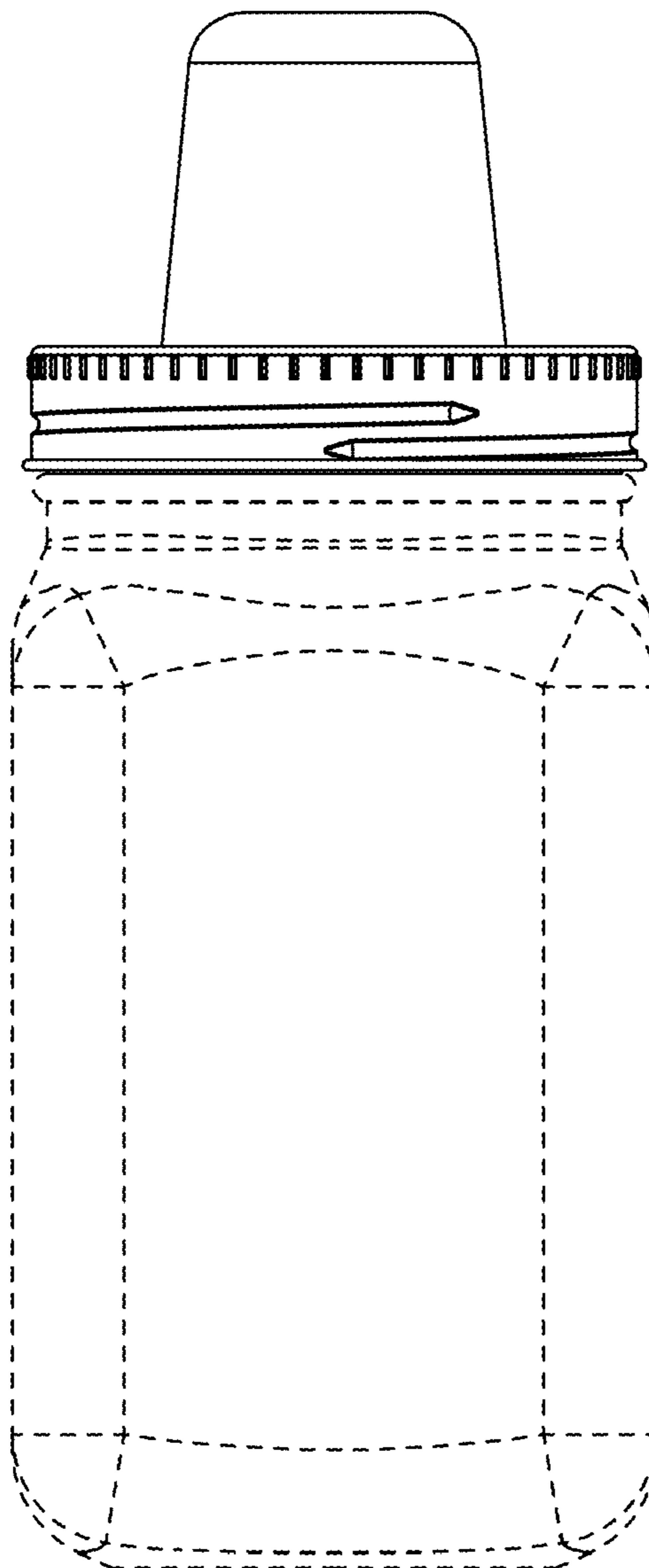
See application file for complete search history.

(56)

**References Cited**

To view the complete listing of prior art documents cited during the proceeding for Reexamination Control Number 90/014,024, please refer to the USPTO's public Patent Application Information Retrieval (PAIR) system under the Display References tab.

*Primary Examiner* — Janice Hallmark





**1**  
**EX PARTE**  
**REEXAMINATION CERTIFICATE**

NO AMENDMENTS HAVE BEEN MADE TO 5  
THE PATENT

AS A RESULT OF REEXAMINATION, IT HAS BEEN  
DETERMINED THAT:

The patentability of claim 1 is confirmed. 10

\* \* \* \* \*