

US00D769053S

(12) **United States Design Patent**  
**Lee**

(10) **Patent No.:** **US D769,053 S**  
(45) **Date of Patent:** **\*\* Oct. 18, 2016**

(54) **COOKING PAN FOR USE IN HEATING COOKERS**

(71) Applicant: **Jin Hee Lee**, Seoul (KR)

(72) Inventor: **Jin Hee Lee**, Seoul (KR)

(\*\*) Term: **14 Years**

(21) Appl. No.: **29/526,226**

(22) Filed: **May 7, 2015**

(30) **Foreign Application Priority Data**

Jan. 5, 2015 (KR) ..... 30-2015-0000251

(51) **LOC (10) Cl.** ..... **07-02**

(52) **U.S. Cl.**  
USPC ..... **D7/362; D7/352; D7/409**

(58) **Field of Classification Search**  
USPC ..... D7/323, 352-362, 543, 545, 549, 550.1, D7/553.1-553.8, 554.1-554.4, 555, 584, D7/586, 688; D9/430-433, 455-456, 737, D9/756-762; D19/92  
CPC ..... A21B 3/00; A21B 3/003; A21B 3/13; A21B 3/15; A21B 3/134; A21B 5/00; A21B 5/02; A47J 27/004; A47J 36/022; A47J 36/025; A47J 36/027; A47J 36/38; A47J 36/2483; A47J 37/00; A47J 37/04; A47J 37/067; A47J 37/0676; A47J 37/108; A47J 37/10; A47J 43/28; A47J 43/284; A47G 23/06; B65D 1/22; B65D 1/24; B65D 1/34; B65D 1/36; B65D 81/343; B65D 85/36  
See application file for complete search history.

(56) **References Cited**

**U.S. PATENT DOCUMENTS**

3,664,256 A \* 5/1972 Peirce ..... A47J 37/0676 99/425  
D223,854 S \* 6/1972 Swett et al. .... D7/392.1  
D229,656 S \* 12/1973 Garcia ..... D7/359  
D246,411 S \* 11/1977 Blanchard ..... 30/303  
D252,008 S \* 6/1979 Jeambey ..... 426/243

D264,036 S \* 4/1982 Pomroy ..... D7/359  
D335,795 S \* 5/1993 Conti ..... D7/359  
6,082,249 A \* 7/2000 Su ..... A47J 27/004 99/340  
D439,792 S \* 4/2001 Hedrington ..... D7/323  
D440,490 S \* 4/2001 Lizzio ..... D9/428  
6,363,842 B1 \* 4/2002 Lin ..... A47J 36/38 126/299 D  
D458,078 S \* 6/2002 Lin ..... D7/362  
6,782,801 B1 \* 8/2004 Correa ..... A47J 37/067 99/340  
D621,650 S \* 8/2010 DeLeo ..... D7/354  
D653,904 S \* 2/2012 Lee ..... D7/362  
D678,712 S \* 3/2013 Mehler ..... D7/354  
D684,808 S \* 6/2013 Mehler ..... D7/354  
D688,086 S \* 8/2013 Lee ..... D7/362  
D688,087 S \* 8/2013 Lee ..... D7/362  
D688,088 S \* 8/2013 Lee ..... D7/362  
D688,089 S \* 8/2013 Lee ..... D7/362  
D688,090 S \* 8/2013 Lee ..... D7/362  
D695,059 S \* 12/2013 Mehler ..... D7/354  
D707,078 S \* 6/2014 Rivera ..... D7/354  
D749,906 S \* 2/2016 Lee ..... D7/362  
2009/0095168 A1 \* 4/2009 Shu ..... A47J 37/108 99/425

\* cited by examiner

*Primary Examiner* — Ricky Pham

(74) *Attorney, Agent, or Firm* — Kile Park Reed & Houtteman PLLC

(57) **CLAIM**

I claim, the ornamental design for a cooking pan for use in heating cookers, as shown and described.

**DESCRIPTION**

FIG. 1 is a top and front perspective view of a cooking pan for use in heating cookers, showing my new design;  
FIG. 2 is a front view thereof;  
FIG. 3 is a rear view thereof;  
FIG. 4 is a left side view thereof;  
FIG. 5 is a right side view thereof;  
FIG. 6 is a top plan view thereof; and,  
FIG. 7 is a bottom plan view thereof.

**1 Claim, 7 Drawing Sheets**

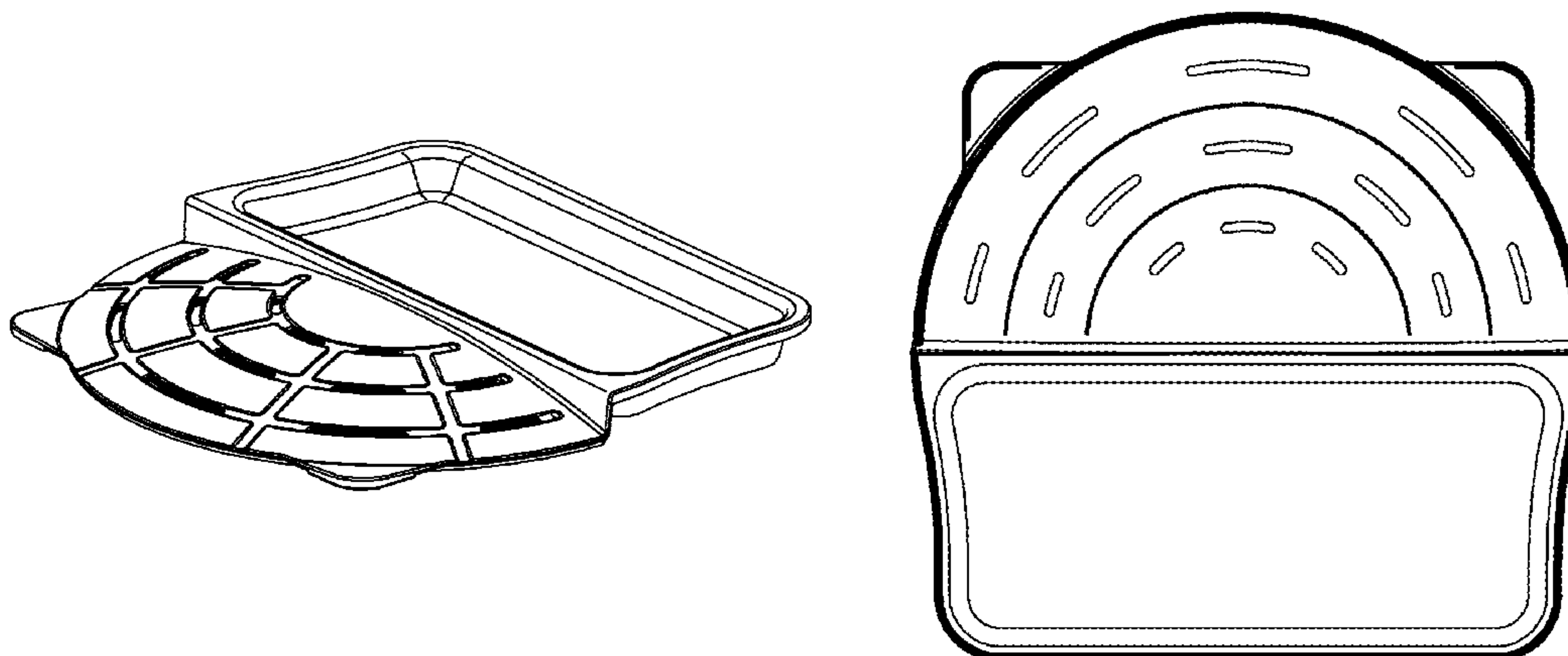


FIG. 1

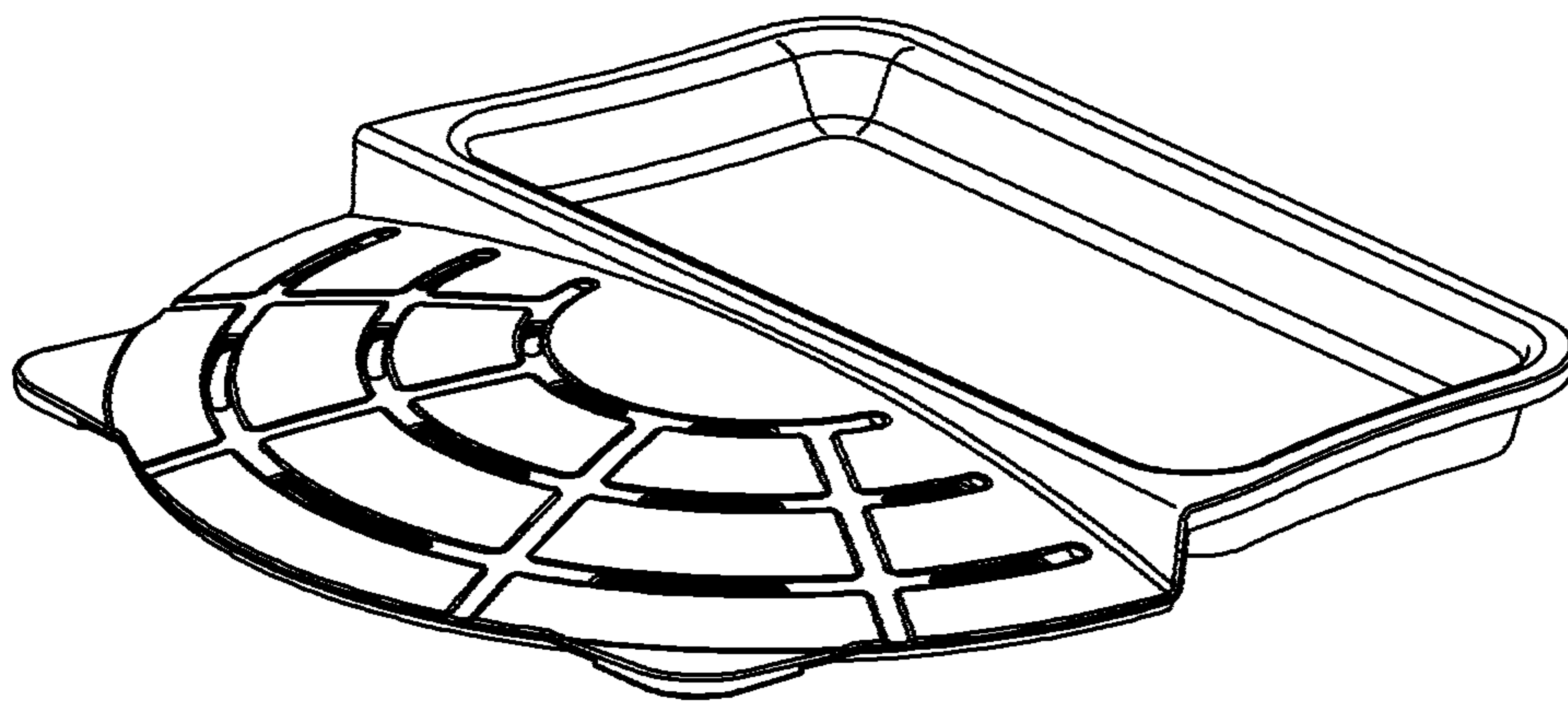


FIG. 2



FIG. 3



FIG. 4



FIG. 5



FIG. 6

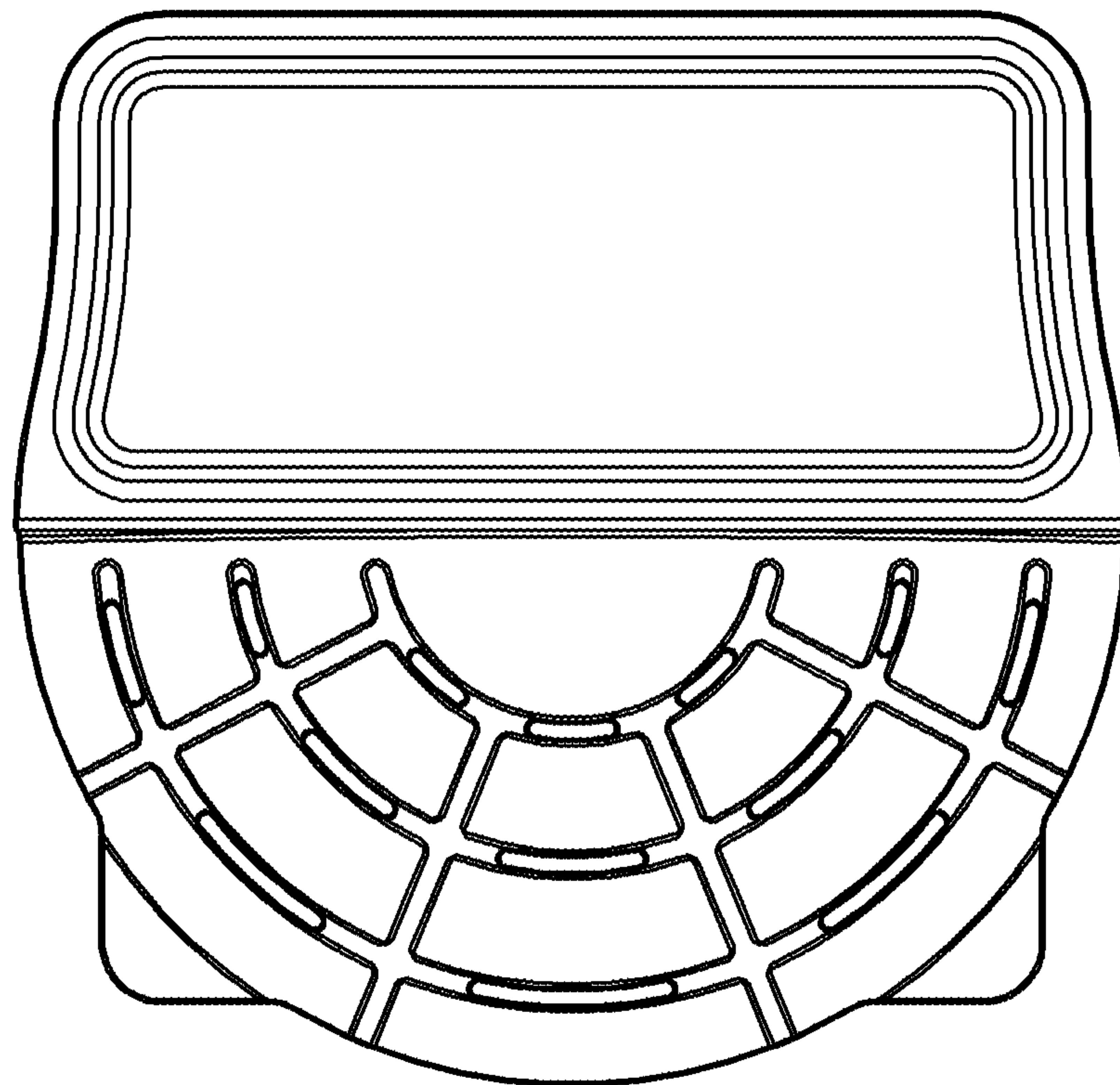


FIG. 7

