

US00D769048S

(12) **United States Design Patent**  
**Cloutier et al.**

(10) **Patent No.:** **US D769,048 S**  
(45) **Date of Patent:** **\*\* Oct. 18, 2016**

- (54) **SAUCE POT**
- (71) Applicant: **Magellan Home-Goods Ltd.**, Blaine, WA (US)
- (72) Inventors: **Andre Dean Cloutier**, Blaine, WA (US); **Debra Lynne Sasken-Duff**, Blaine, WA (US)
- (73) Assignee: **Magellan Home-Goods Ltd.**, Blaine, WA (US)
- (\*\*) Term: **15 Years**
- (21) Appl. No.: **29/529,064**
- (22) Filed: **Jun. 3, 2015**
- (51) **LOC (10) Cl.** ..... **07-02**
- (52) **U.S. Cl.**  
USPC ..... **D7/361; D7/354**
- (58) **Field of Classification Search**  
USPC ..... D7/323, 325, 354–363, 391, 393–396, D7/409  
CPC ... A23L 1/1815; A47G 19/12; A47J 19/005; A47J 27/00; A47J 27/002; A47J 27/08; A47J 27/21; A47J 27/58; A47J 36/025; A47J 36/06; A47J 36/12; A47J 36/165; A47J 37/00; A47J 37/10; A47J 37/101; A47J 37/103; A47J 37/12; A47J 37/1204; A47J 45/061; A47J 45/071; A47J 45/08; B01F 13/002; B65D 51/242; H05B 6/12  
See application file for complete search history.

(56) **References Cited**

**U.S. PATENT DOCUMENTS**

- 912,136 A \* 2/1909 Landry ..... B01F 13/002  
366/247
- 1,032,212 A \* 7/1912 Hilton ..... B65D 51/242  
220/212.5
- 1,344,836 A \* 6/1920 Walden ..... A47J 36/165  
366/130
- 1,444,244 A \* 2/1923 Grossenbacher ..... A23L 1/1815  
366/248

- 1,475,081 A \* 11/1923 Parks ..... A23L 1/1815  
366/248
- 1,517,624 A \* 12/1924 Girard ..... A47J 19/005  
241/101.1
- 1,617,643 A \* 2/1927 Kriete ..... A23L 1/1815  
366/247
- 1,620,765 A \* 3/1927 Jackson ..... A23L 1/1815  
220/318
- 2,441,941 A 11/1945 Shafter
- 2,505,967 A 12/1948 Humphrey
- 2,505,966 A \* 5/1950 Humphrey ..... A23L 1/1815  
366/248
- 2,561,203 A \* 7/1951 Joffe ..... A23L 1/1815  
366/248
- 4,202,256 A 5/1980 Brooks
- 4,763,567 A 8/1988 Dalquist, III et al.
- 5,163,357 A 11/1992 Felknor et al.
- 7,744,026 B2 \* 6/2010 Gregory ..... A47J 19/005  
241/169.1
- D636,215 S \* 4/2011 Cloutier ..... D7/325
- 8,434,403 B1 5/2013 Cloutier et al.
- 2004/0194633 A1 \* 10/2004 Bourne ..... A23L 1/1815  
99/323.5

\* cited by examiner

*Primary Examiner* — Ricky Pham

(74) *Attorney, Agent, or Firm* — Schacht Law Office, Inc.; Dwayne Rogge

(57) **CLAIM**

The ornamental design for a sauce pot, as shown and described.

**DESCRIPTION**

FIG. 1 is a top isometric view of a sauce pot embodying the new design.

FIG. 2 is a side view thereof with the opposing side view being a mirror image thereof.

FIG. 3 is a top view thereof.

FIG. 4 is a bottom view thereof.

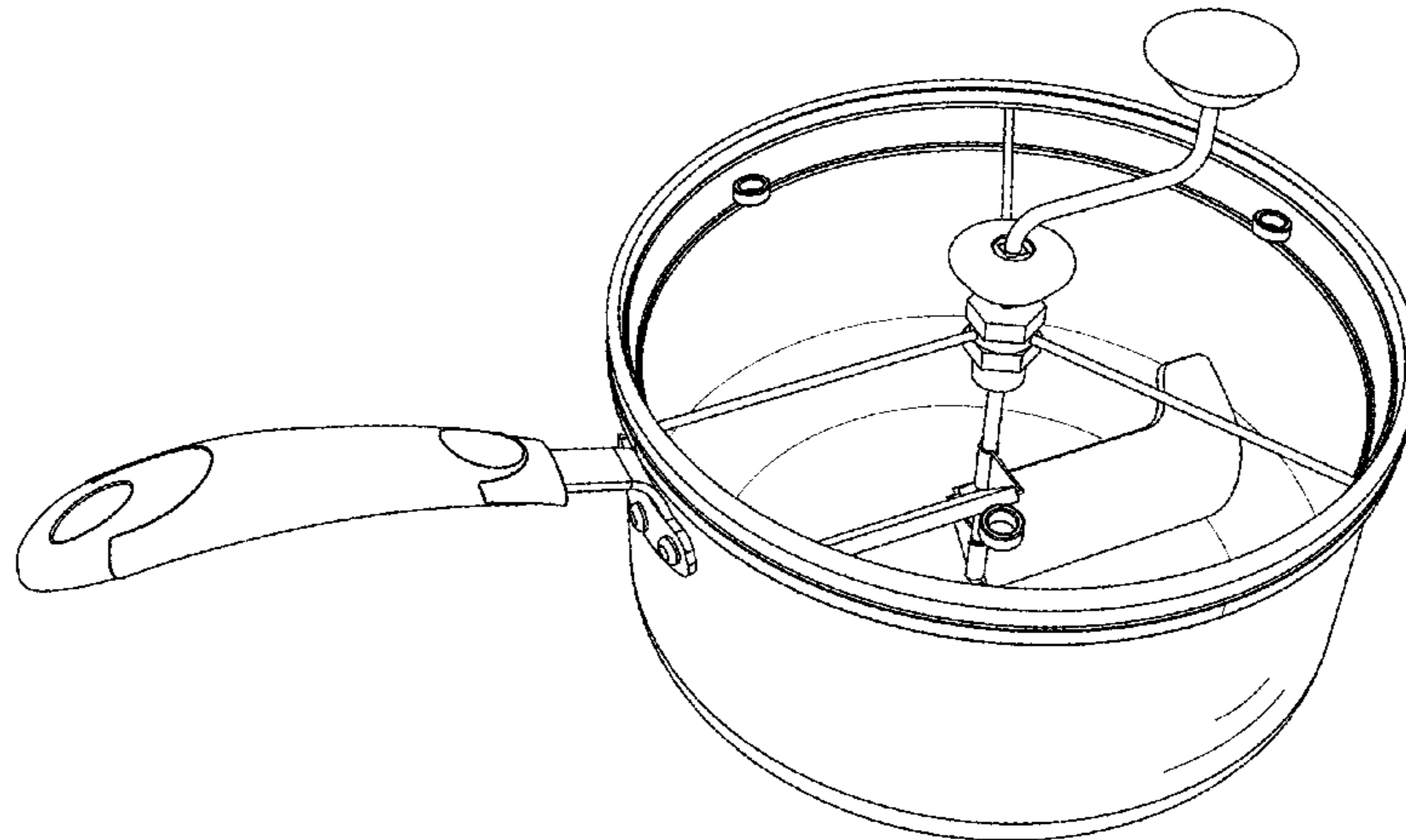
FIG. 5 is a rear view thereof.

FIG. 6 is a front view thereof.

FIG. 7 is a partially exploded view thereof; and,

FIG. 8 is a partially exploded view of several internal components.

**1 Claim, 4 Drawing Sheets**



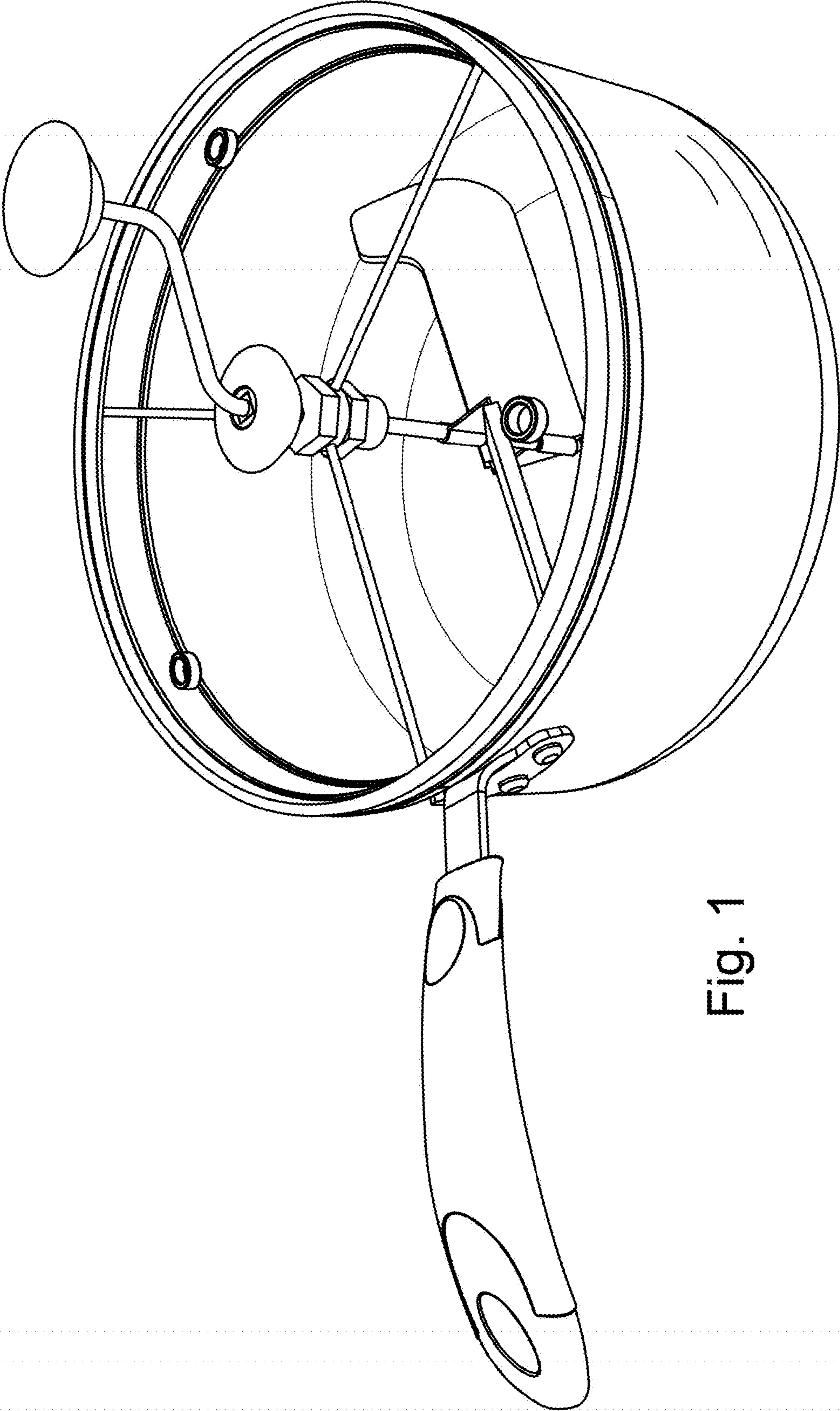


Fig. 1

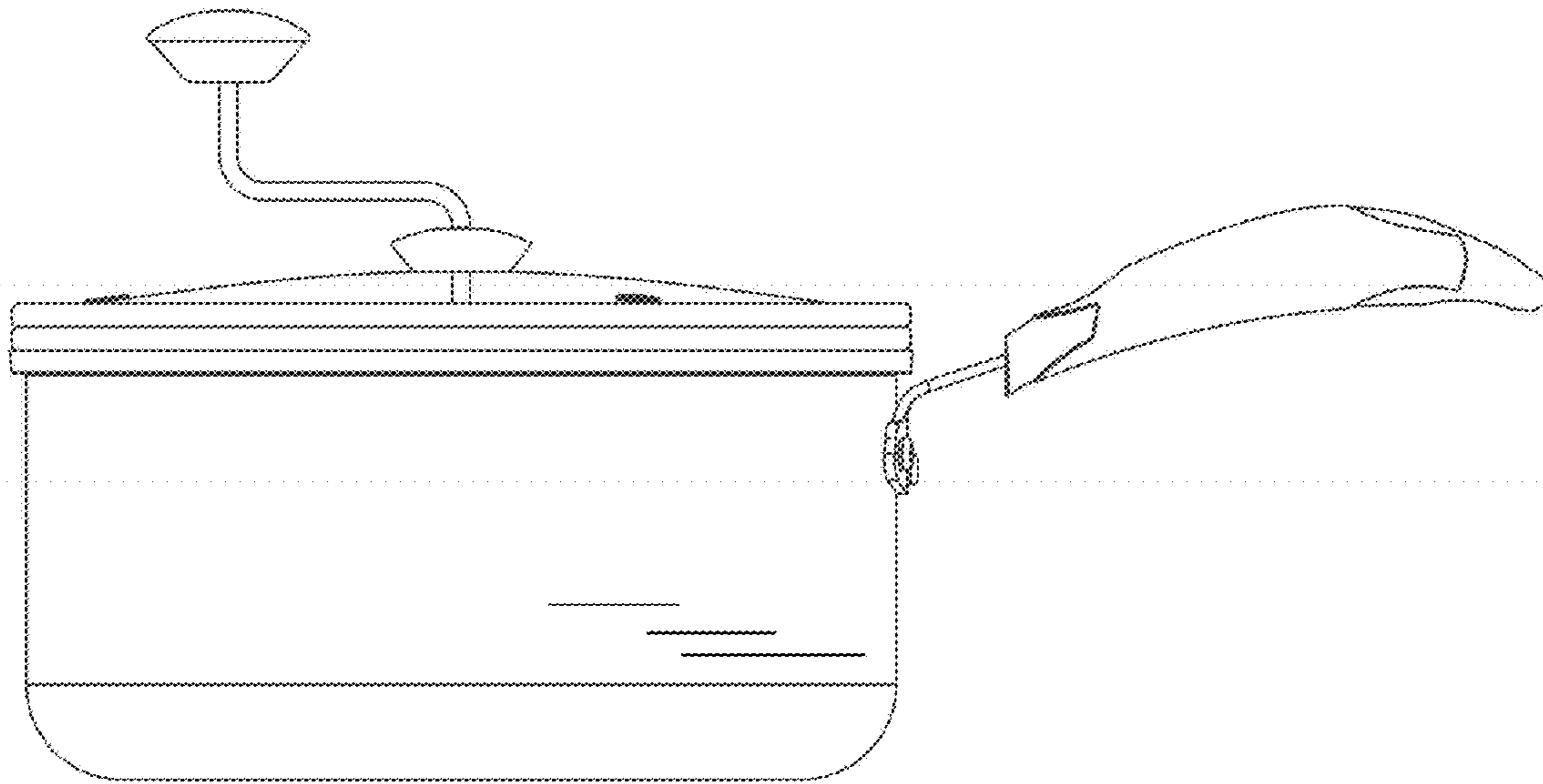


Fig. 2

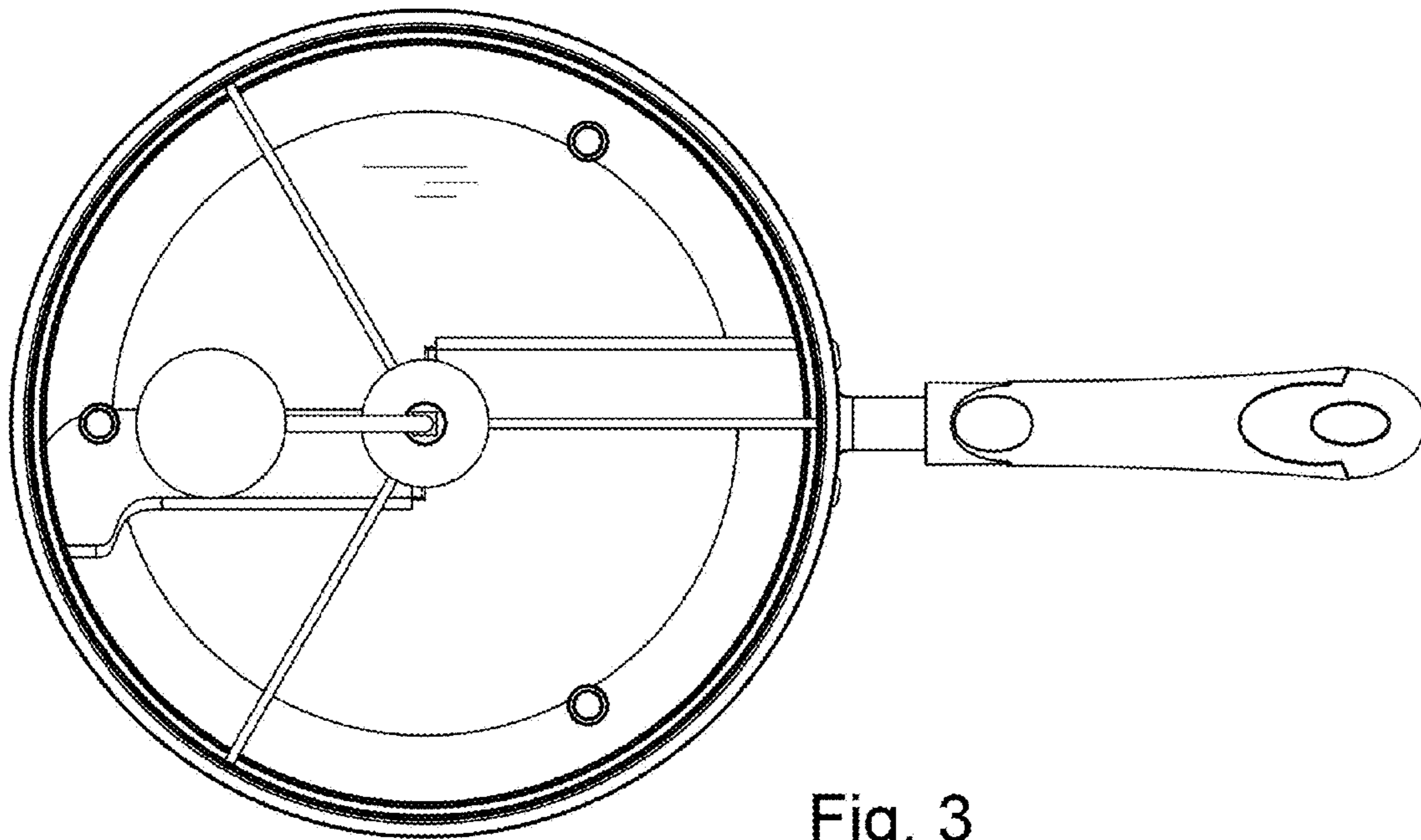


Fig. 3



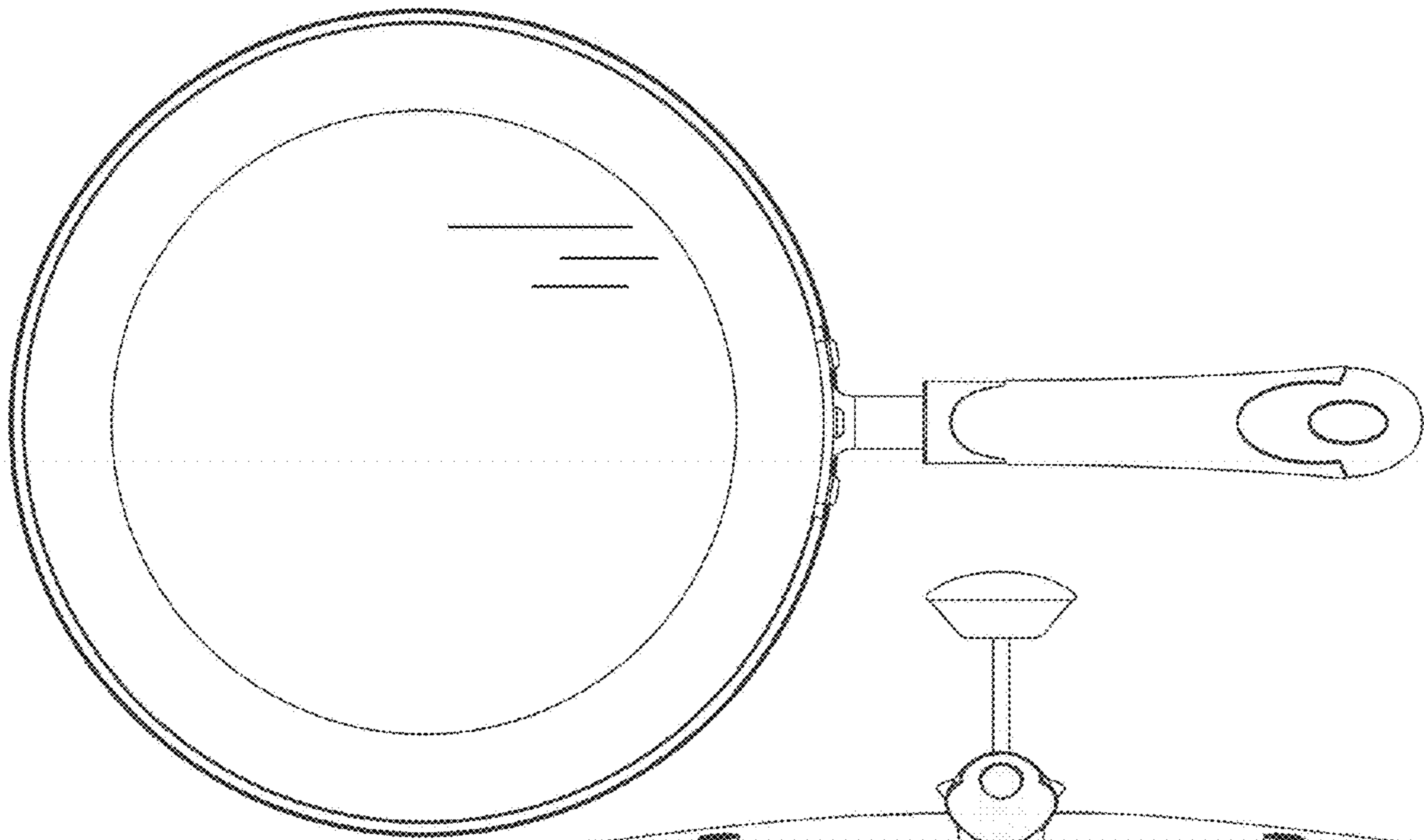


Fig. 4

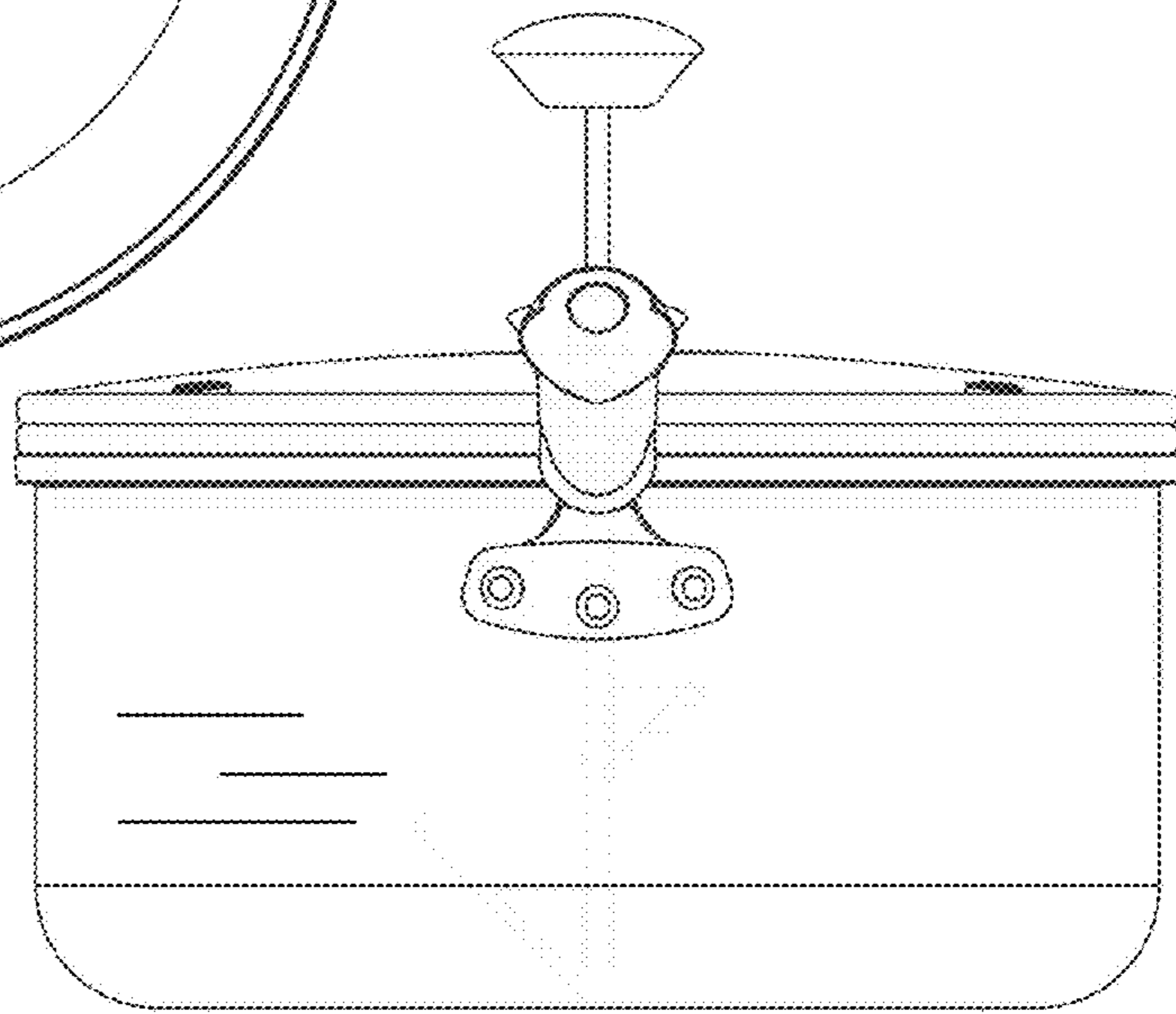


Fig. 5

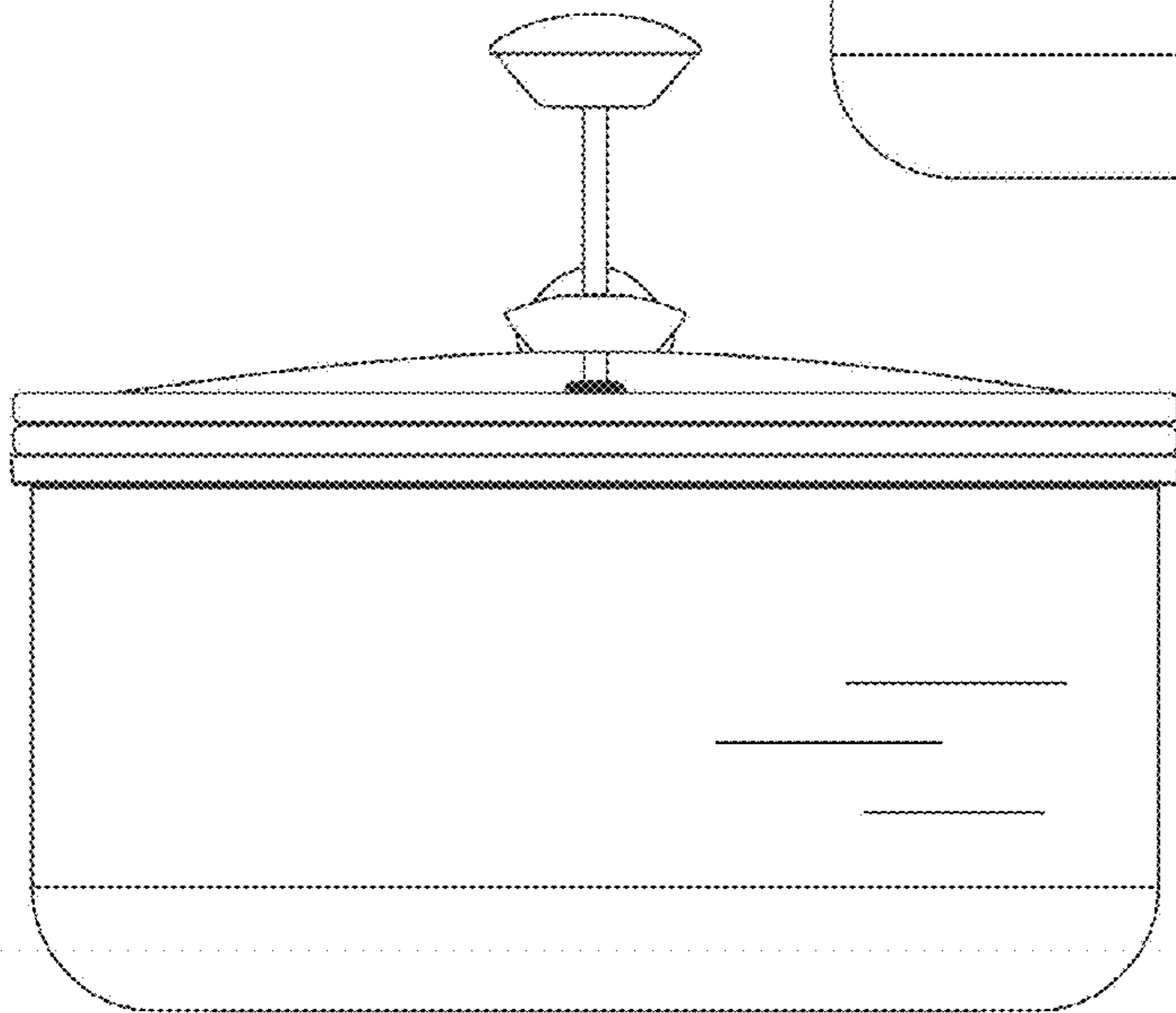


Fig. 6

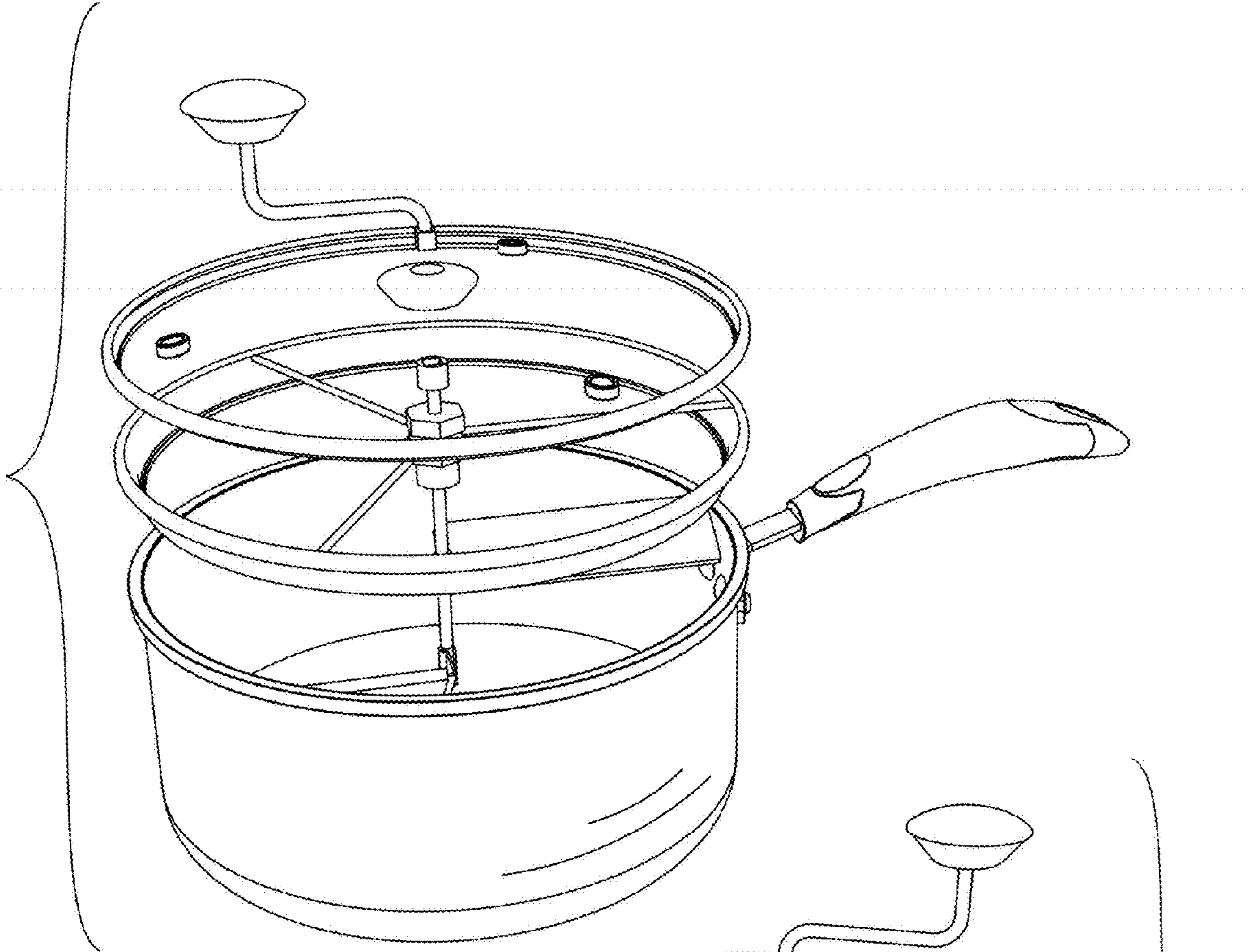


Fig. 7

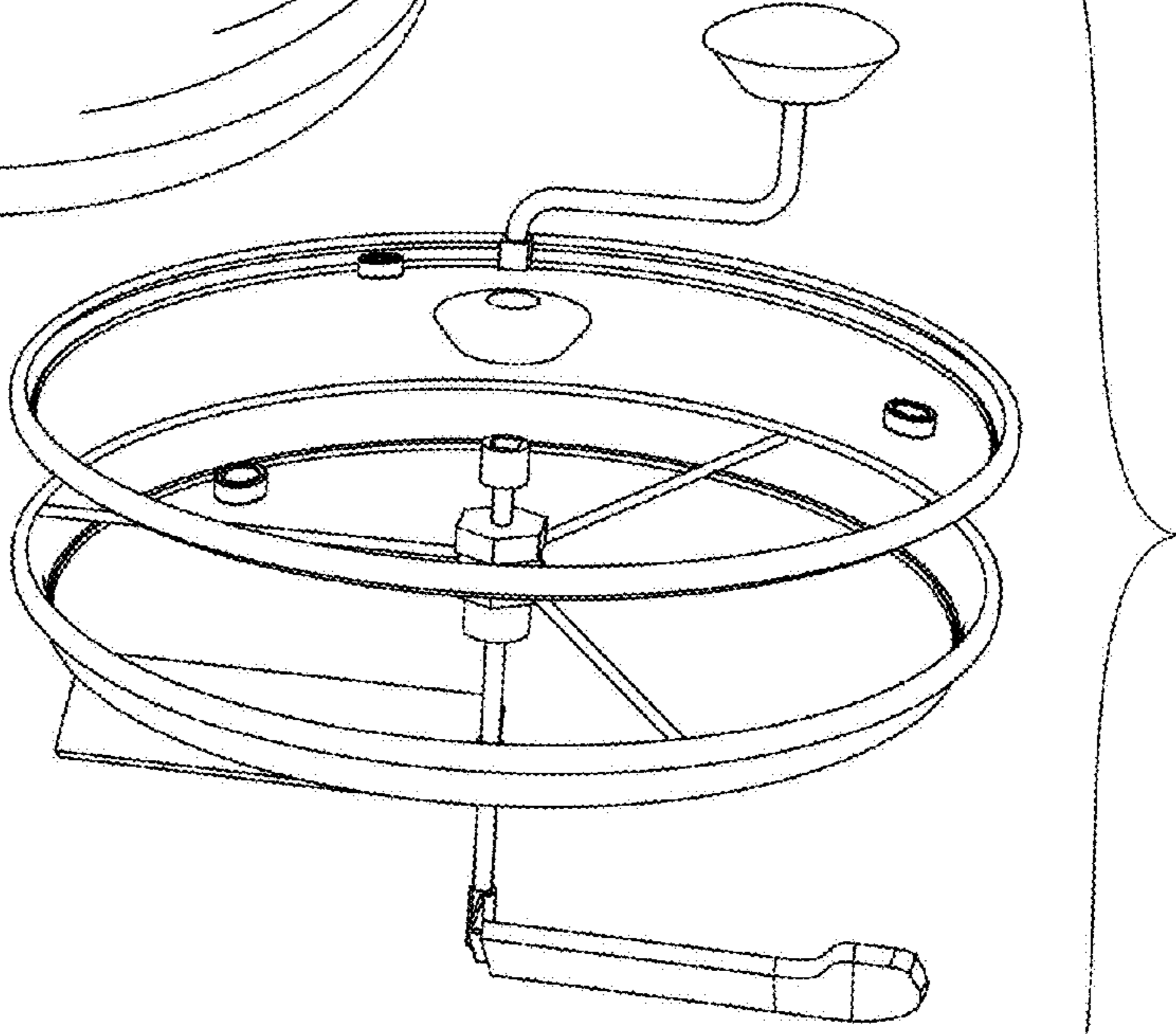


Fig. 8