



US00D769045S

(12) **United States Design Patent** (10) **Patent No.:** **US D769,045 S**
Cha et al. (45) **Date of Patent:** **** Oct. 18, 2016**

(54) **BEVERAGE DISPENSER**
(71) Applicant: **THE COCA-COLA COMPANY**,
Atlanta, GA (US)
(72) Inventors: **Jae Ho Cha**, Woodstock, GA (US);
David Buenger, Atlanta, GA (US);
Simon Alan Daniel, London (GB);
Siriphong Roongruengvuthikul,
London (GB); **Thomas Maxime**
Vaubourgeix, London (GB)
(73) Assignee: **The Coca-Cola Company**, Atlanta, GA
(US)

D378,260 S 3/1997 Precelton
5,607,211 A 3/1997 Henninger et al.
5,752,624 A 5/1998 Vinson et al.
D468,296 S * 1/2003 Graceffa D13/164
D621,647 S * 8/2010 Jacquet D7/306
D632,519 S 2/2011 Zimmermann
D642,218 S * 7/2011 Sanders D20/1
D666,049 S * 8/2012 Struzka D7/306
D699,065 S * 2/2014 Bucher D7/306
D725,954 S * 4/2015 Michel D7/306
D731,841 S * 6/2015 Cha D7/306
D733,480 S * 7/2015 Shao D7/306
D738,664 S * 9/2015 Cha D7/301
D738,665 S 9/2015 Tomasson et al.
D738,666 S 9/2015 Harvey et al.
D745,305 S * 12/2015 Cha D7/306

(**) Term: **15 Years**

(21) Appl. No.: **29/535,329**

(22) Filed: **Aug. 5, 2015**

(51) **LOC (10) Cl.** **07-01**

(52) **U.S. Cl.**
USPC **D7/306; D7/311**

(58) **Field of Classification Search**
USPC D7/306-311, 305, 300, 313, 399, 398,
D7/397; 99/279, 284, 290, 280, 299, 307,
99/305, 295, 308, 309, 323.1, 395, 300;
222/23, 129.1; 62/395; D20/1;
D23/207, 209; D15/89; D13/162, 164
CPC A47J 31/44; A47J 31/00; B67D 1/0041;
B67D 3/00
See application file for complete search history.

(56) **References Cited**

U.S. PATENT DOCUMENTS

D75,151 S 5/1928 Cordley
D82,798 S 12/1930 Crosby
D252,410 S * 7/1979 Graser D99/28
D355,995 S 3/1995 Stoddard et al.
D371,713 S * 7/1996 Credle, Jr. D7/301
D375,649 S 11/1996 Henninger et al.

OTHER PUBLICATIONS

The Coca-Cola Company Press Release, "Coca-Cola Launches New Countertop Versions of Innovative Coca-Cola Freestyle", www.coca-colacompany.com (May 16, 2014).

* cited by examiner

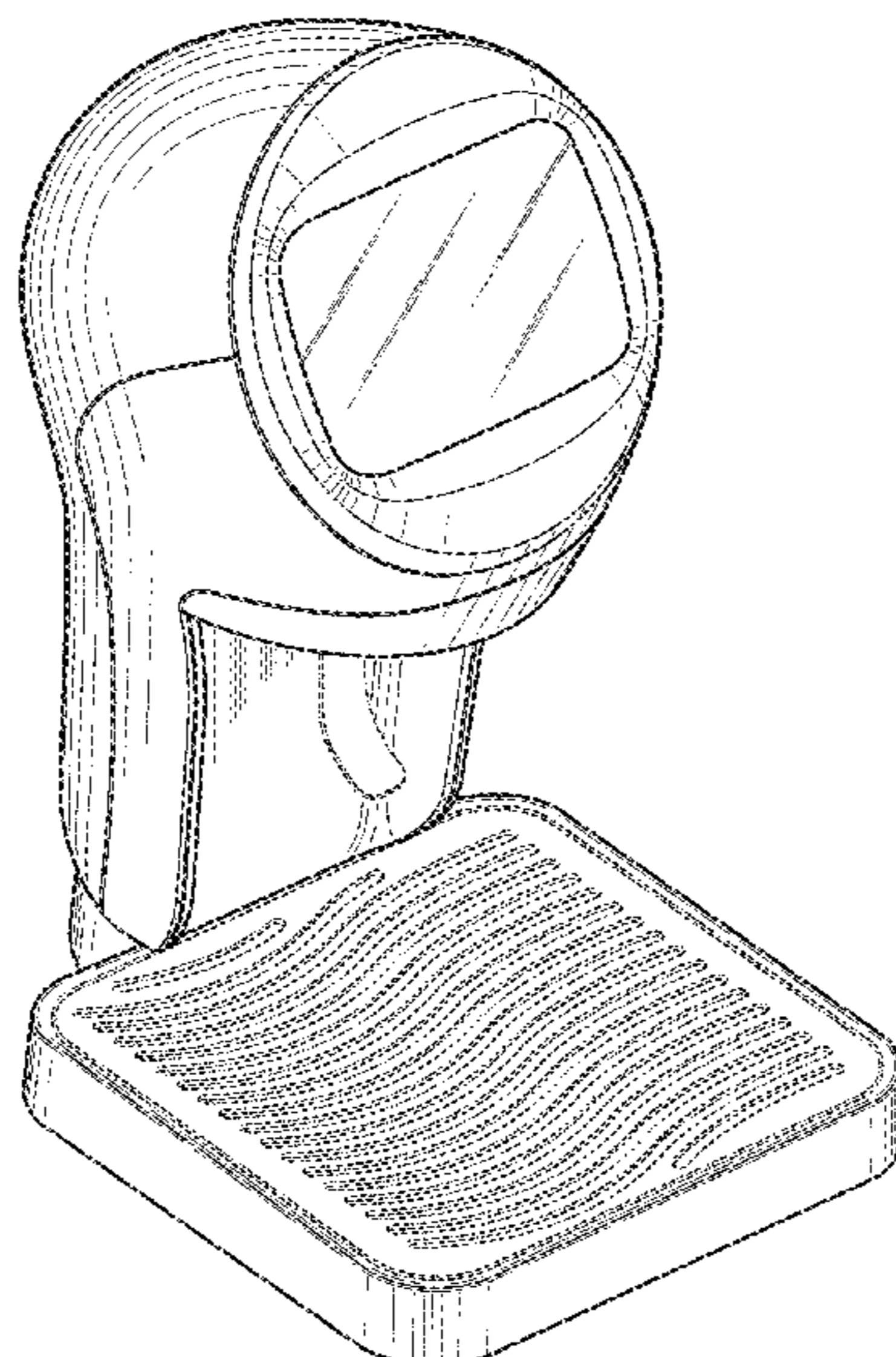
Primary Examiner — Marianne Pandozzi
(74) *Attorney, Agent, or Firm* — Parks IP Law LLC;
Cynthia R. Parks

(57) **CLAIM**
We claim the ornamental design for a beverage dispenser, as shown and described.

DESCRIPTION

FIG. 1 is a perspective view of a beverage dispenser showing our new design;
FIG. 2 is a right side view thereof;
FIG. 3 is a left side view thereof;
FIG. 4 is a front side view thereof;
FIG. 5 is a rear view thereof;
FIG. 6 is a top view thereof; and,
FIG. 7 is a bottom view thereof.

1 Claim, 7 Drawing Sheets



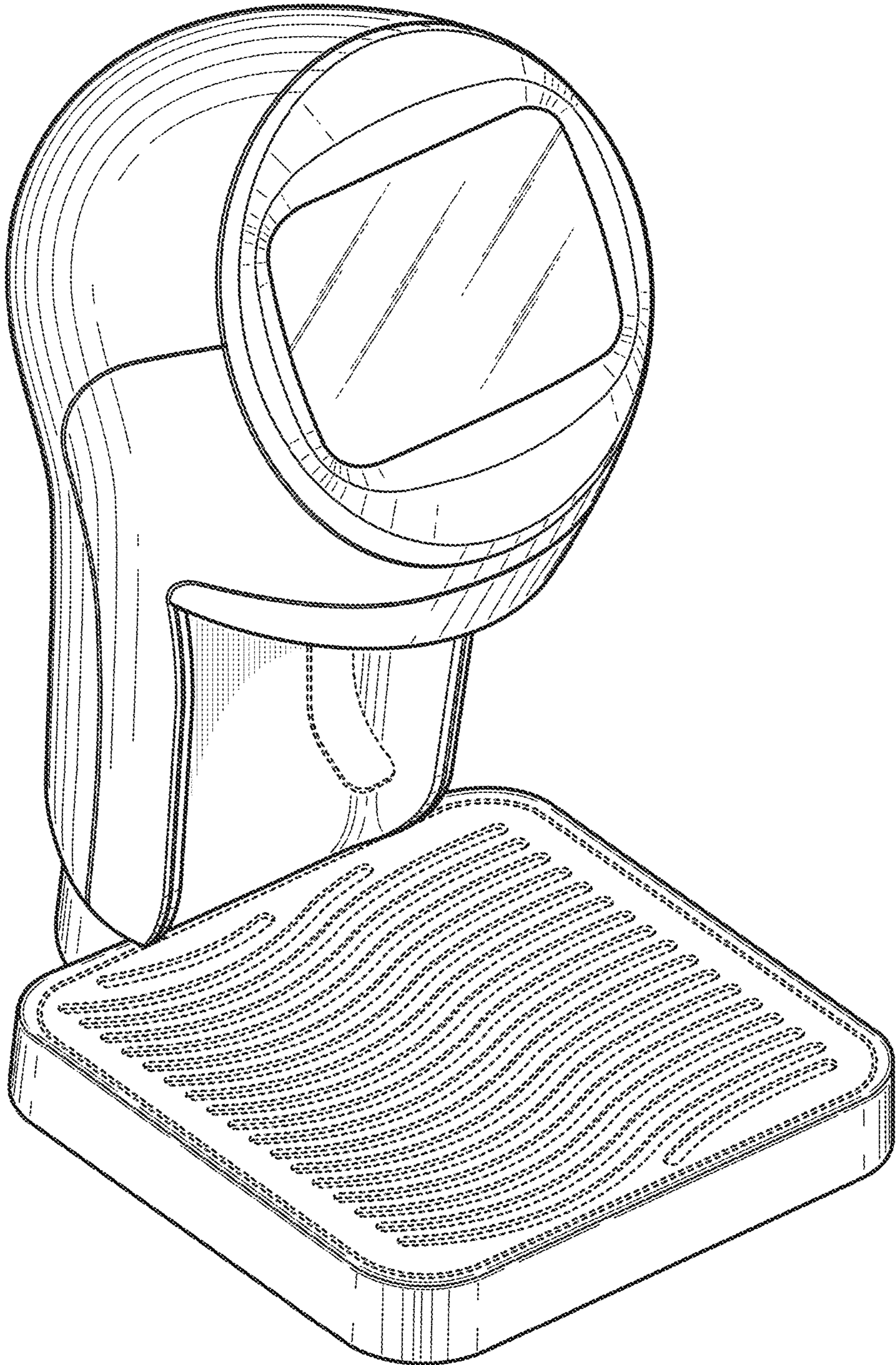


FIG. 1

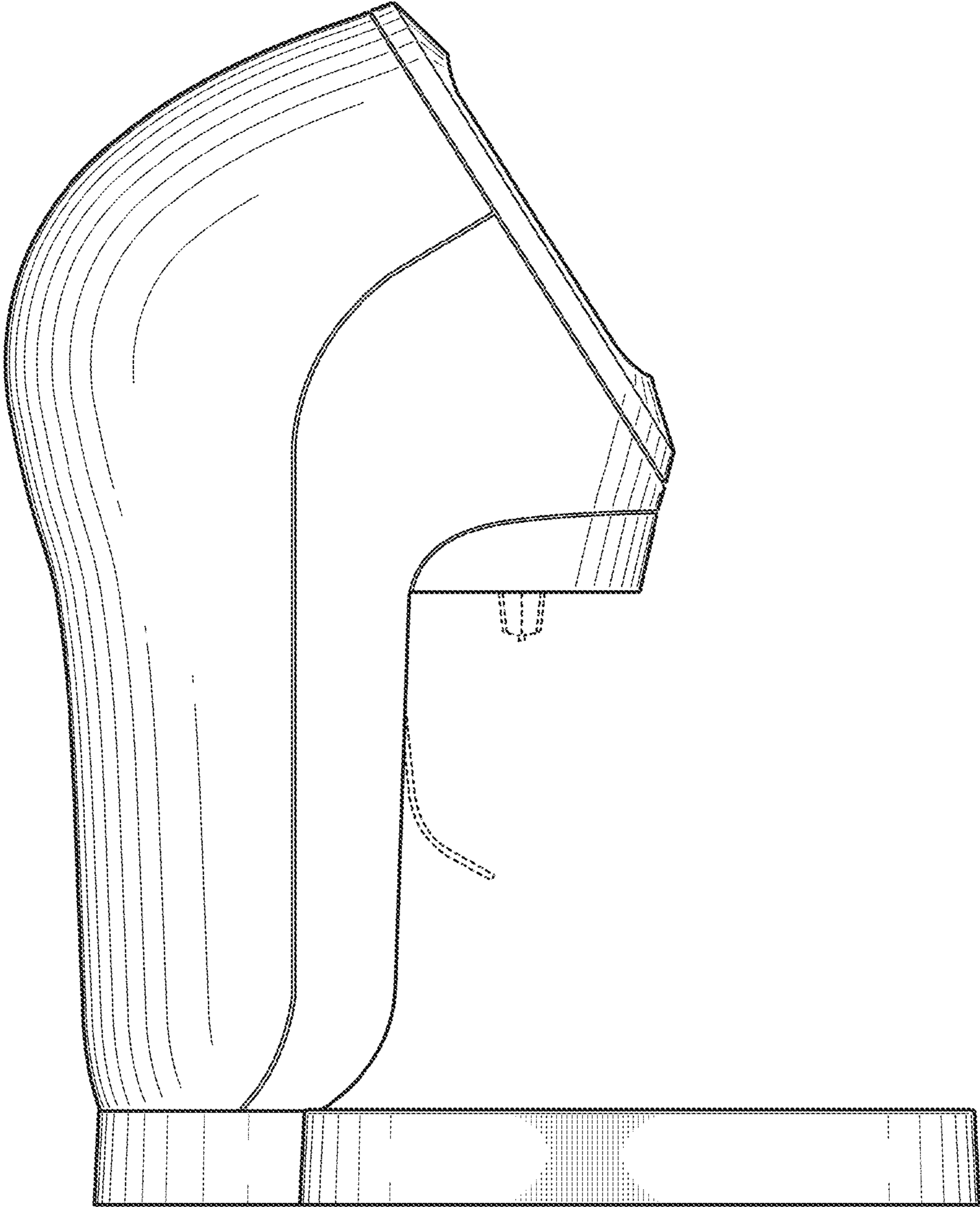


FIG. 2

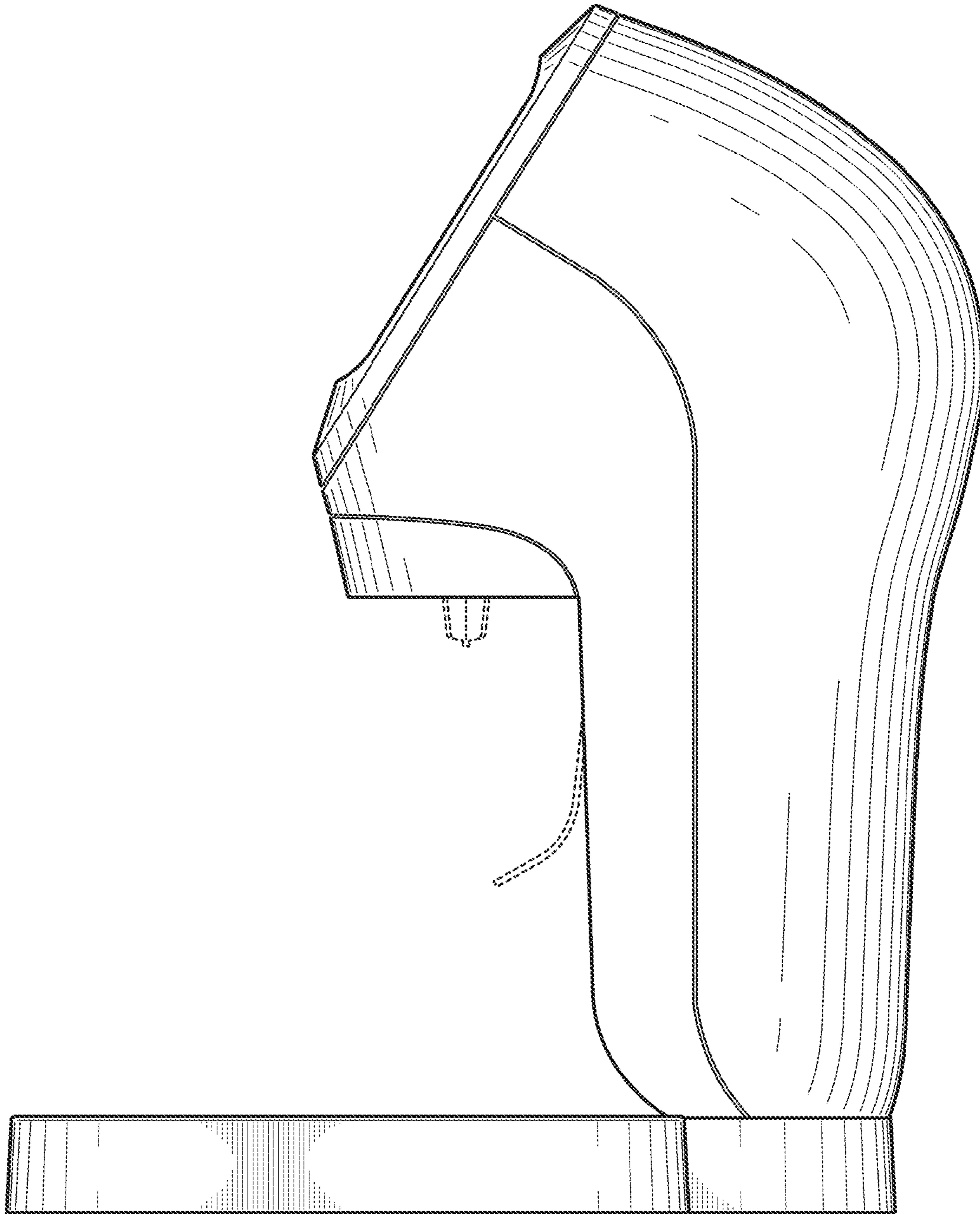


FIG. 3

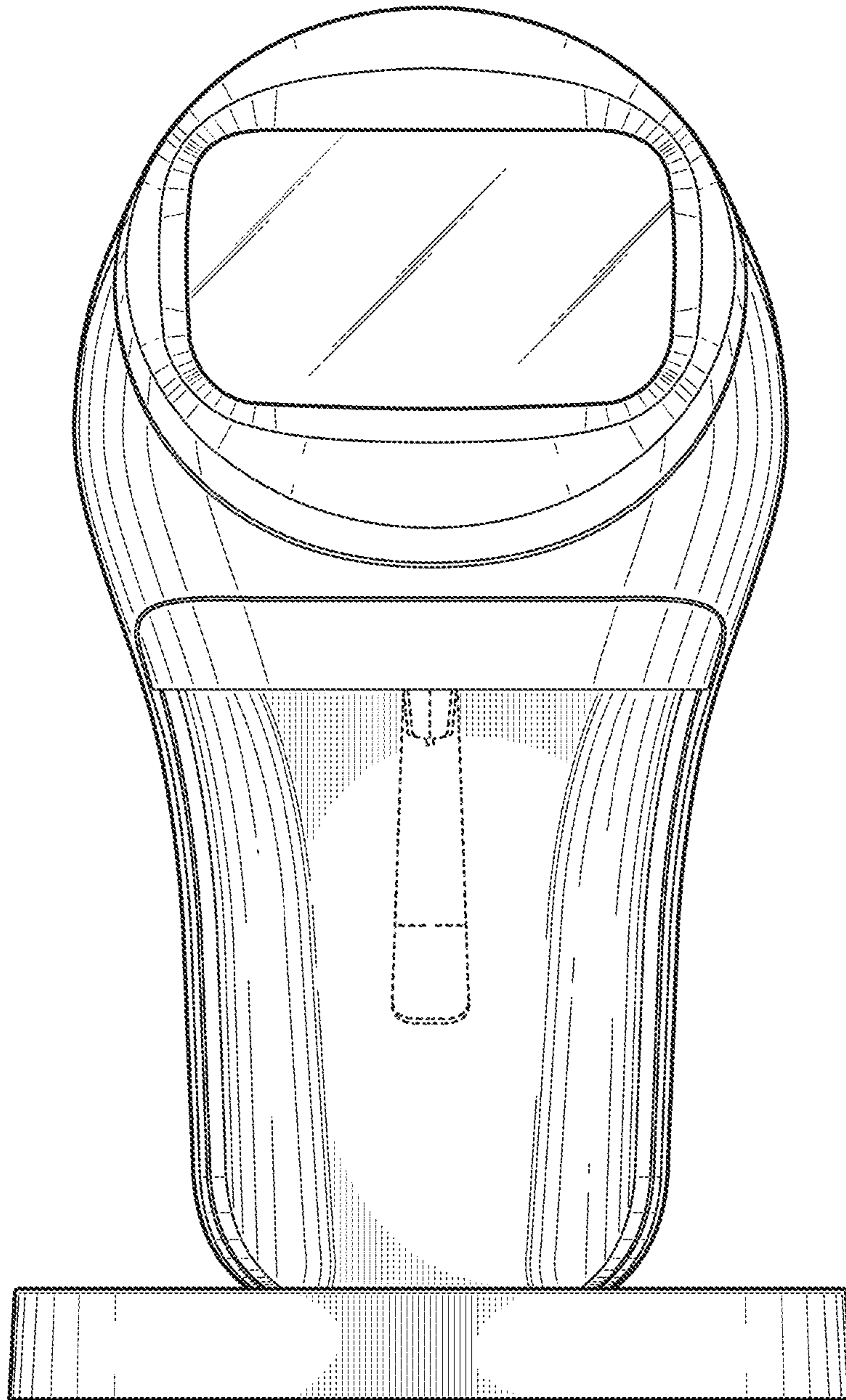


FIG. 4

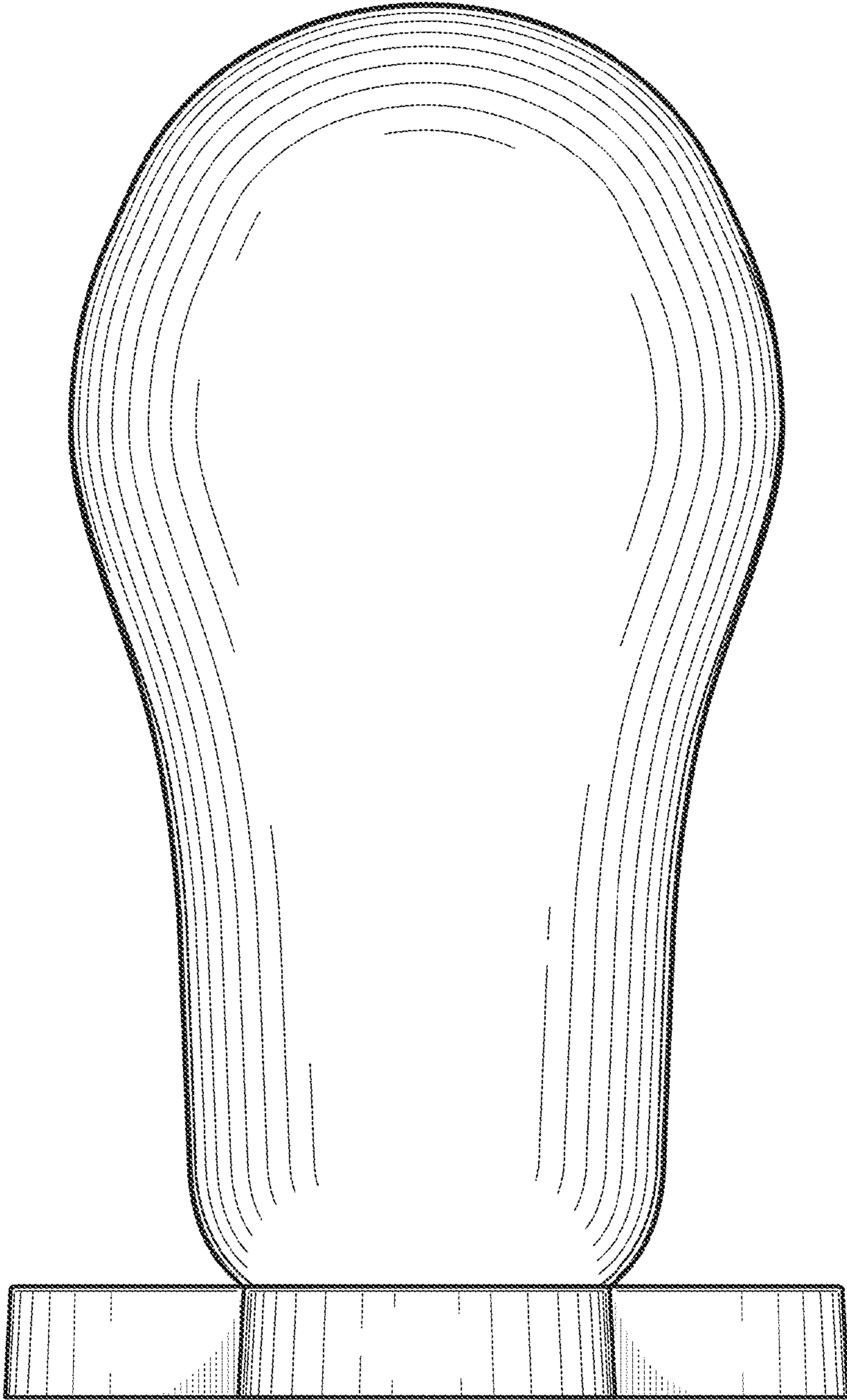


FIG. 5

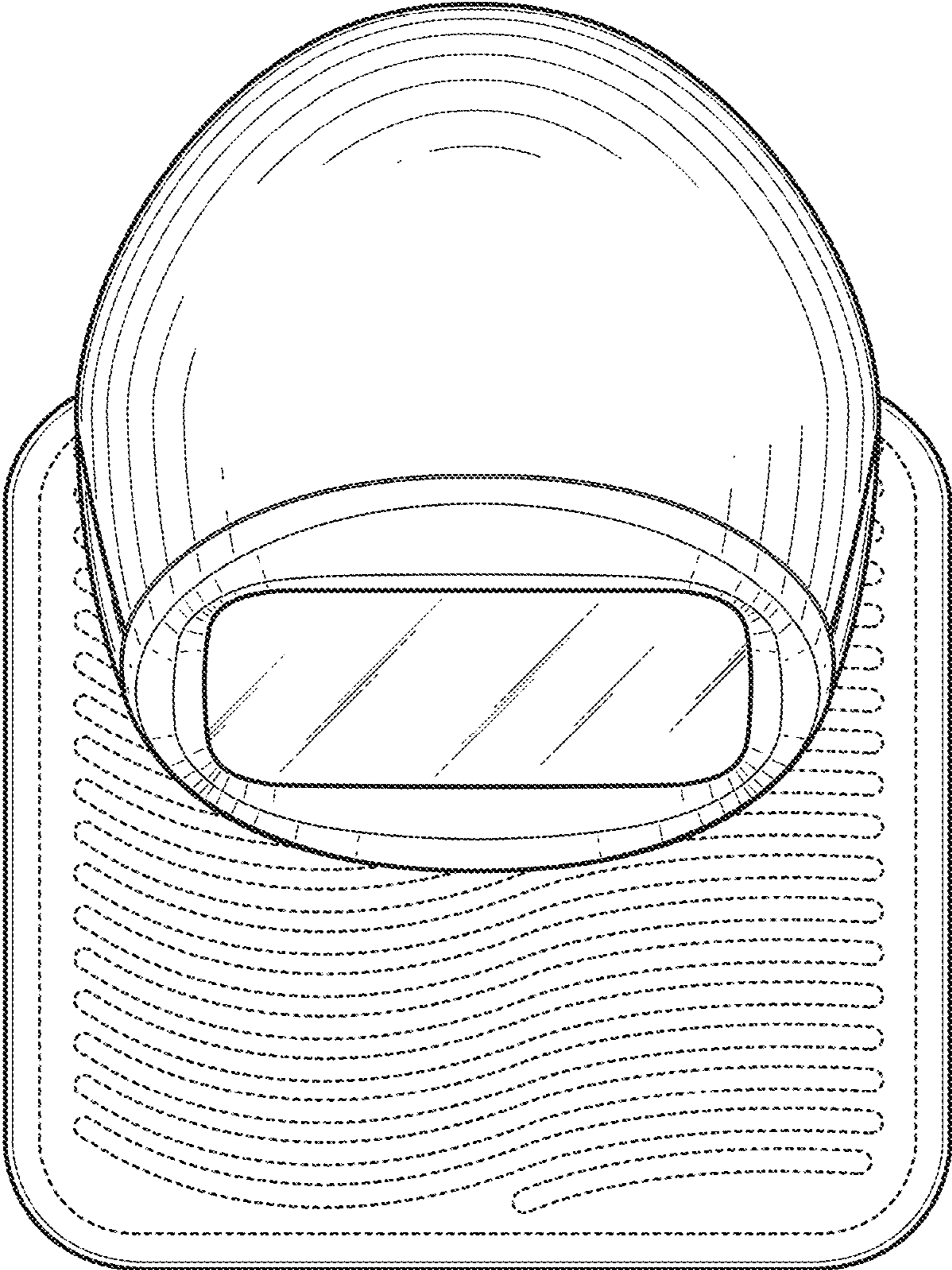


FIG. 6

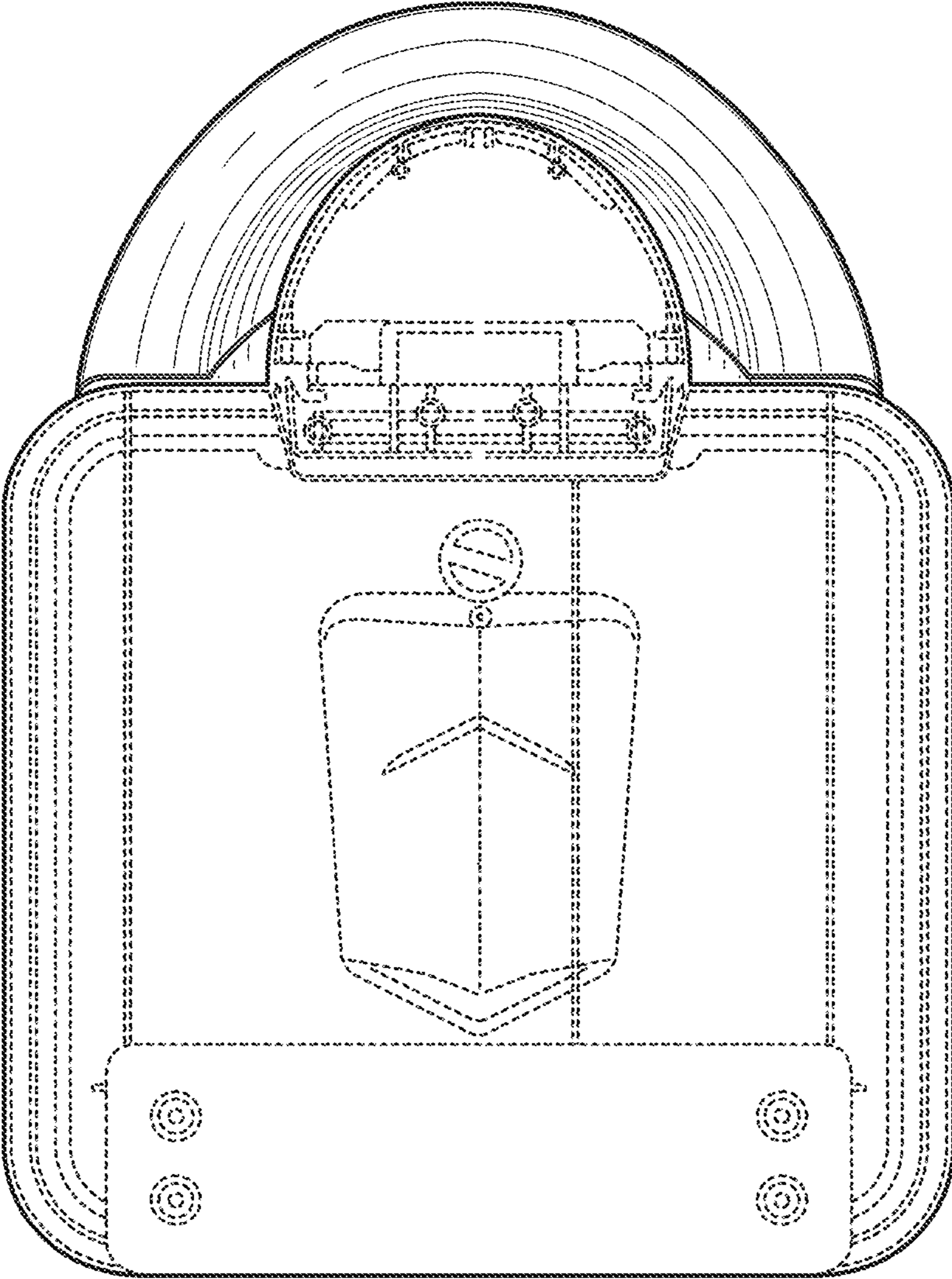


FIG. 7

UNITED STATES PATENT AND TRADEMARK OFFICE
CERTIFICATE OF CORRECTION

PATENT NO. : D769,045 S
APPLICATION NO. : 29/535329
DATED : October 18, 2016
INVENTOR(S) : Jae Ho Cha et al.

Page 1 of 1

It is certified that error appears in the above-identified patent and that said Letters Patent is hereby corrected as shown below:

On the Title Page

Please insert the following statement before item (57):

--The broken lines in the drawings depict portions of the Beverage Dispenser that form no part of the claimed design.--

Signed and Sealed this
Ninth Day of May, 2017



Michelle K. Lee
Director of the United States Patent and Trademark Office