

US00D769042S

(12) **United States Design Patent** (10) **Patent No.:** **US D769,042 S**  
**O'Neal et al.** (45) **Date of Patent:** **\*\* Oct. 18, 2016**

(54) **HEAD END SIDERAIL**

FOREIGN PATENT DOCUMENTS

(71) Applicant: **Hill-Rom Services, Inc.**, Batesville, IN (US)

WO WO 2006/058506 A1 6/2006

(72) Inventors: **Todd P. O'Neal**, Fairfield, OH (US);  
**Robert A. Bossingham**, Rushville, IN (US)

OTHER PUBLICATIONS

<http://www.arjohuntleigh.com/int/Product.asp?PageNumber=2571&ProductCategory.sub.--Id=128&Product.sub.--Id=202>,  
ArjoHuntleigh, Enterprise 8000 Hospital Bed, Date: No later than Apr. 28, 2009.

(73) Assignee: **Hill-Rom Services, Inc.**, Batesville, IN (US)

(Continued)

(\*\*) Term: **14 Years**

*Primary Examiner* — Cathron Brooks

(21) Appl. No.: **29/499,162**

(74) *Attorney, Agent, or Firm* — Barnes & Thornburg LLP

(22) Filed: **Aug. 12, 2014**

(51) **LOC (10) Cl.** ..... **06-06**

(52) **U.S. Cl.**  
USPC ..... **D6/718.3**

(57) **CLAIM**

The ornamental design for a head end siderail, as shown and described.

(58) **Field of Classification Search**  
USPC ..... D6/382–384, 718, 718.3; D24/183–185  
CPC ..... A61G 7/00; A61G 7/02; A61G 7/05;  
A61G 7/0506; A61G 7/0507; A61G 13/00  
See application file for complete search history.

**DESCRIPTION**

FIG. 1 is a top front perspective view of a head end siderail showing our new design;  
FIG. 2 is a front elevation view of the head end siderail of FIG. 1;  
FIG. 3 is a rear elevation view of the head end siderail of FIG. 1;  
FIG. 4 is an end elevation view of a first end of the head end siderail of FIG. 1;  
FIG. 5 is an end elevation view of a second end of the head end siderail of FIG. 1;  
FIG. 6 is a top plan view of the head end siderail of FIG. 1;  
FIG. 7 is a bottom plan view of the head end siderail of FIG. 1; and,  
FIG. 8 is a top rear perspective view of the head end siderail of FIG. 1.  
The broken lines shown in the figures depict environmental subject matter and form no part of the claimed design.

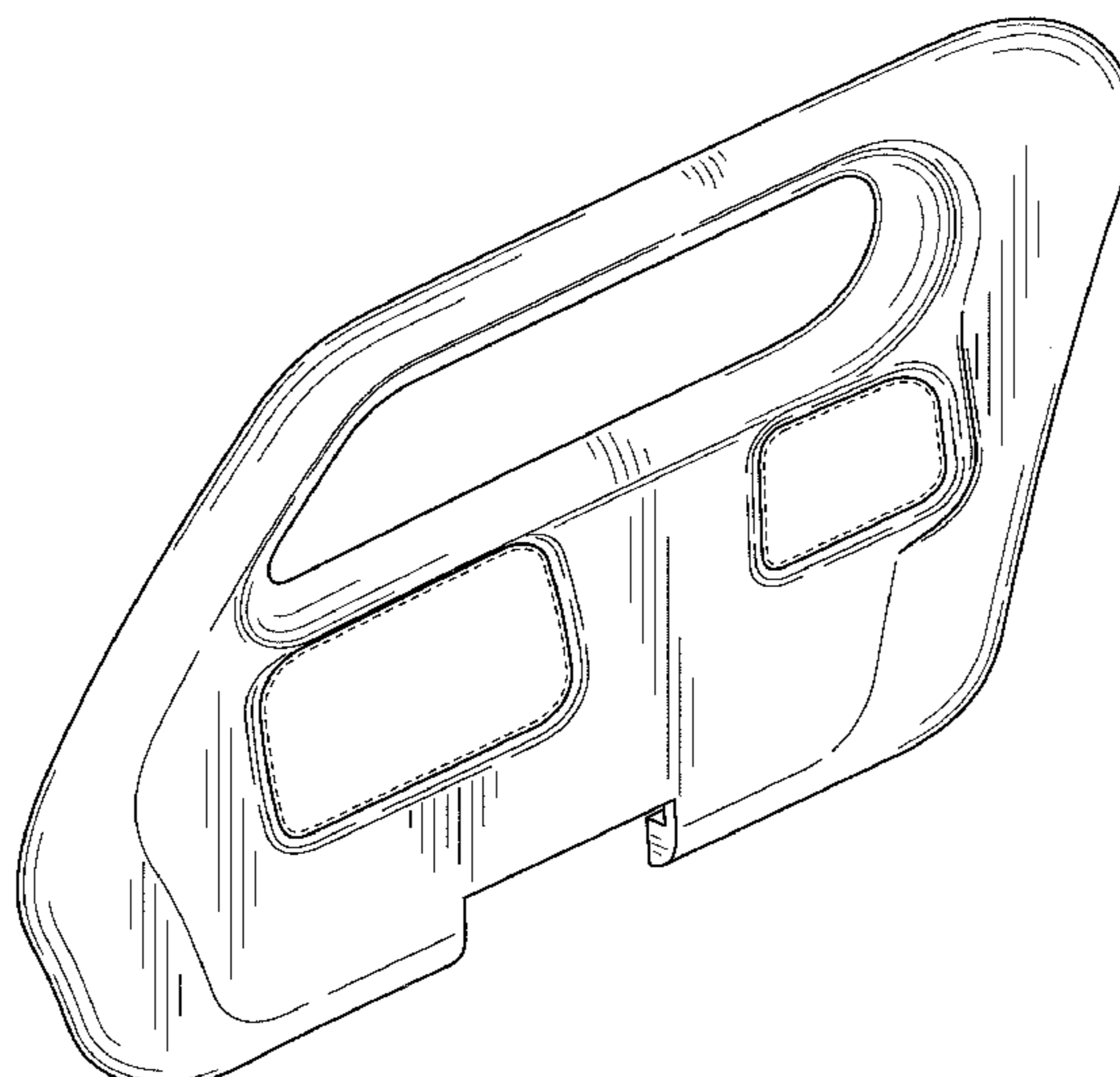
(56) **References Cited**

U.S. PATENT DOCUMENTS

|             |         |                |
|-------------|---------|----------------|
| 421,656 A   | 2/1890  | Blanken        |
| 1,700,338 A | 1/1929  | Scoggins       |
| 2,136,088 A | 11/1938 | Stevens        |
| D158,433 S  | 5/1950  | Bevelacqua     |
| 2,587,291 A | 2/1952  | Rochers        |
| 2,722,017 A | 11/1955 | Burst et al.   |
| 2,747,919 A | 5/1956  | Ferneau et al. |
| 3,018,492 A | 1/1962  | Rosen          |
| 3,321,779 A | 5/1967  | Kaufman et al. |
| 3,506,989 A | 4/1970  | Ross et al.    |
| 3,585,659 A | 6/1971  | Burst et al.   |
| D229,381 S  | 11/1973 | Benoit         |
| 3,806,109 A | 4/1974  | Weber et al.   |
| 3,905,591 A | 9/1975  | Schorr et al.  |
| 3,932,903 A | 1/1976  | Adams et al.   |

(Continued)

**1 Claim, 4 Drawing Sheets**



(56)

References Cited

U.S. PATENT DOCUMENTS

|             |         |                   |                 |         |                   |                      |
|-------------|---------|-------------------|-----------------|---------|-------------------|----------------------|
| D240,867 S  | 8/1976  | Blumberg          | 6,058,531 A     | 5/2000  | Carroll           |                      |
| D248,406 S  | 7/1978  | Hodge             | 6,073,289 A     | 6/2000  | Bolden et al.     |                      |
| D249,359 S  | 9/1978  | Stott et al.      | 6,141,806 A     | 11/2000 | Bobey et al.      |                      |
| 4,183,015 A | 1/1980  | Drew et al.       | D436,474 S      | 1/2001  | Morren            |                      |
| 4,186,456 A | 2/1980  | Huempfner         | 6,185,767 B1    | 2/2001  | Brooke et al.     |                      |
| 4,214,326 A | 7/1980  | Spann             | 6,240,580 B1    | 6/2001  | Hamilton et al.   |                      |
| 4,215,446 A | 8/1980  | Mahoney           | 6,240,583 B1    | 6/2001  | Brooke et al.     |                      |
| D272,395 S  | 1/1984  | Sonder et al.     | 6,363,552 B1 *  | 4/2002  | Hornbach .....    | A61G 7/015<br>5/425  |
| 4,439,880 A | 4/1984  | Koncelik et al.   | 6,389,622 B1    | 5/2002  | Her               |                      |
| 4,592,104 A | 6/1986  | Foster et al.     | D458,481 S      | 6/2002  | Brooke            |                      |
| 4,646,211 A | 2/1987  | Gallant et al.    | D459,119 S      | 6/2002  | Brooke            |                      |
| 4,653,129 A | 3/1987  | Kuck et al.       | D463,179 S      | 9/2002  | Brooke            |                      |
| D289,951 S  | 5/1987  | Goodwin           | D479,070 S      | 9/2003  | Goodwin et al.    |                      |
| 4,676,687 A | 6/1987  | Koffler           | 6,622,364 B2    | 9/2003  | Hamilton et al.   |                      |
| 4,724,555 A | 2/1988  | Poehner et al.    | 6,640,360 B2    | 11/2003 | Hornbach et al.   |                      |
| D295,892 S  | 5/1988  | Feldt             | D488,941 S      | 4/2004  | Lemire et al.     |                      |
| 4,745,647 A | 5/1988  | Goodwin           | D488,942 S      | 4/2004  | Lemire et al.     |                      |
| 4,811,435 A | 3/1989  | Foster et al.     | 6,721,975 B1    | 4/2004  | Lemire            |                      |
| D300,657 S  | 4/1989  | Simpkins et al.   | 6,779,209 B2    | 8/2004  | Ganance           |                      |
| 4,827,545 A | 5/1989  | Arp               | 6,951,036 B2    | 10/2005 | Lemire            |                      |
| D301,411 S  | 6/1989  | Schlapp           | 7,073,220 B2    | 7/2006  | Simmonds et al.   |                      |
| 4,847,929 A | 7/1989  | Pupovic           | 7,076,818 B2    | 7/2006  | Kummer et al.     |                      |
| D304,614 S  | 11/1989 | Guttormsen        | 7,107,637 B2    | 9/2006  | Kuek et al.       |                      |
| 4,912,787 A | 4/1990  | Bradovich         | 7,150,058 B2    | 12/2006 | Rabska            |                      |
| 4,935,968 A | 6/1990  | Hunt et al.       | D553,382 S      | 10/2007 | Hayes et al.      |                      |
| 4,985,946 A | 1/1991  | Foster et al.     | 7,296,312 B2    | 11/2007 | Menkedick         |                      |
| 4,998,939 A | 3/1991  | Potthast et al.   | 7,406,731 B2    | 8/2008  | Menkedick         |                      |
| 5,023,967 A | 6/1991  | Ferrand           | D583,954 S      | 12/2008 | Genelli           |                      |
| 5,035,014 A | 7/1991  | Blanchard         | 7,487,558 B2    | 2/2009  | Risk, Jr. et al.  |                      |
| 5,072,463 A | 12/1991 | Willis            | D604,421 S      | 11/2009 | Albrecht et al.   |                      |
| 5,072,906 A | 12/1991 | Foster            | D604,422 S      | 11/2009 | Albrecht et al.   |                      |
| 5,077,843 A | 1/1992  | Dale et al.       | 7,644,457 B2    | 1/2010  | Hensley           |                      |
| 5,083,334 A | 1/1992  | Huck et al.       | 7,712,166 B2    | 5/2010  | Stryker et al.    |                      |
| 5,084,925 A | 2/1992  | Cook              | D616,678 S      | 6/2010  | Heimbrock et al.  |                      |
| 5,117,521 A | 6/1992  | Foster et al.     | D616,679 S      | 6/2010  | Heimbrock et al.  |                      |
| 5,121,513 A | 6/1992  | Thomas et al.     | D617,586 S      | 6/2010  | Heimbrock et al.  |                      |
| 5,129,117 A | 7/1992  | Celestina et al.  | D617,587 S      | 6/2010  | Heimbrock et al.  |                      |
| 5,179,744 A | 1/1993  | Foster et al.     | D617,588 S      | 6/2010  | Heimbrock et al.  |                      |
| 5,195,200 A | 3/1993  | Leoutsakos        | D617,589 S      | 6/2010  | Heimbrock et al.  |                      |
| D336,577 S  | 6/1993  | Celestina et al.  | 7,761,939 B2    | 7/2010  | Wiggins et al.    |                      |
| D336,578 S  | 6/1993  | Celestina         | 7,784,125 B2    | 8/2010  | Morin et al.      |                      |
| 5,216,768 A | 6/1993  | Bodine et al.     | D627,985 S      | 11/2010 | Salus             |                      |
| 5,269,030 A | 12/1993 | Pahno et al.      | D628,416 S      | 12/2010 | Heimbrock et al.  |                      |
| 5,269,388 A | 12/1993 | Reichow et al.    | 7,895,689 B2    | 3/2011  | Hayes et al.      |                      |
| D344,802 S  | 3/1994  | Kuck et al.       | 7,930,778 B2    | 4/2011  | Wu et al.         |                      |
| 5,299,338 A | 4/1994  | Foster            | D637,020 S      | 5/2011  | Heimbrock et al.  |                      |
| 5,317,769 A | 6/1994  | Weismiller et al. | 7,962,979 B1    | 6/2011  | Hime              |                      |
| 5,337,430 A | 8/1994  | Schlein           | D640,887 S      | 7/2011  | Heimbrock et al.  |                      |
| 5,337,845 A | 8/1994  | Foster et al.     | 7,971,291 B2    | 7/2011  | Stryker et al.    |                      |
| D351,742 S  | 10/1994 | Phleps et al.     | 7,986,242 B2    | 7/2011  | Dixon et al.      |                      |
| 5,370,111 A | 12/1994 | Reeder et al.     | 8,143,846 B2    | 3/2012  | Herman et al.     |                      |
| 5,377,371 A | 1/1995  | Foster            | D656,762 S      | 4/2012  | Fejt              |                      |
| 5,381,571 A | 1/1995  | Gabhart           | 8,205,280 B2    | 6/2012  | Hensley et al.    |                      |
| 5,394,581 A | 3/1995  | Leoutsakos        | 8,266,741 B2    | 9/2012  | Penninger et al.  |                      |
| 5,396,673 A | 3/1995  | Foster            | 8,296,884 B2    | 10/2012 | Heimbrock         |                      |
| 5,398,357 A | 3/1995  | Foster            | 8,341,777 B2    | 1/2013  | Hensley et al.    |                      |
| 5,398,359 A | 3/1995  | Foster            | 8,341,778 B2    | 1/2013  | Heimbrock         |                      |
| 5,454,126 A | 10/1995 | Foster et al.     | 8,381,337 B2    | 2/2013  | Zerhusen et al.   |                      |
| 5,455,975 A | 10/1995 | Foster            | 8,387,179 B2 *  | 3/2013  | Metz .....        | A61G 7/0507<br>5/425 |
| 5,461,673 A | 10/1995 | Coons             | 8,413,270 B2    | 4/2013  | Turner et al.     |                      |
| 5,479,666 A | 1/1996  | Foster et al.     | 8,776,286 B1 *  | 7/2014  | Edgerton .....    | A61G 7/0507<br>5/424 |
| 5,481,772 A | 1/1996  | Glynn et al.      | D710,507 S      | 8/2014  | Leng et al.       |                      |
| 5,513,406 A | 5/1996  | Foster et al.     | D710,509 S      | 8/2014  | Leng et al.       |                      |
| 5,542,138 A | 8/1996  | Williams et al.   | D710,510 S *    | 8/2014  | Leng .....        | D24/184              |
| 5,577,277 A | 11/1996 | Sundberg et al.   | 2002/0002742 A1 | 1/2002  | Osborne et al.    |                      |
| 5,586,346 A | 12/1996 | Stacy et al.      | 2004/0177443 A1 | 9/2004  | Simmonds          |                      |
| 5,623,736 A | 4/1997  | Soltani et al.    | 2005/0172405 A1 | 8/2005  | Menkedick et al.  |                      |
| 5,682,631 A | 11/1997 | Weismiller et al. | 2006/0038098 A1 | 2/2006  | Metz              |                      |
| 5,689,839 A | 11/1997 | Laganiere et al.  | 2006/0059621 A1 | 3/2006  | Poulos            |                      |
| 5,732,423 A | 3/1998  | Weismiller et al. | 2006/0075560 A1 | 4/2006  | Osborne et al.    |                      |
| 5,774,914 A | 7/1998  | Johnson et al.    | 2006/0168729 A1 | 8/2006  | Weismiller et al. |                      |
| 5,781,945 A | 7/1998  | Scherer et al.    | 2007/0050910 A1 | 3/2007  | Blanchard et al.  |                      |
| 5,802,636 A | 9/1998  | Corbin et al.     | 2007/0130692 A1 | 6/2007  | Lemire et al.     |                      |
| 5,906,017 A | 5/1999  | Ferrand et al.    | 2007/0163043 A1 | 7/2007  | Lemire et al.     |                      |
| 6,021,533 A | 2/2000  | Ellis et al.      | 2007/0169268 A1 | 7/2007  | Lemire et al.     |                      |
|             |         |                   | 2007/0174965 A1 | 8/2007  | Lemire et al.     |                      |

(56)

**References Cited**

U.S. PATENT DOCUMENTS

|              |    |         |                  |
|--------------|----|---------|------------------|
| 2007/0294828 | A1 | 12/2007 | Hornbach et al.  |
| 2008/0005838 | A1 | 1/2008  | Wan Fong et al.  |
| 2009/0031498 | A1 | 2/2009  | Girard et al.    |
| 2009/0119839 | A1 | 5/2009  | Guguin           |
| 2009/0188731 | A1 | 7/2009  | Zerhusen et al.  |
| 2009/0229049 | A1 | 9/2009  | Heimbrock        |
| 2009/0229050 | A1 | 9/2009  | Heimbrock        |
| 2011/0010861 | A1 | 1/2011  | Heimbrock et al. |
| 2011/0191957 | A1 | 8/2011  | Hornbach et al.  |
| 2011/0214234 | A1 | 9/2011  | Herman           |
| 2011/0231996 | A1 | 9/2011  | Lemire et al.    |
| 2011/0258779 | A1 | 10/2011 | Derenne et al.   |
| 2011/0277242 | A1 | 11/2011 | Dionne et al.    |
| 2012/0151678 | A1 | 6/2012  | Richards         |
| 2013/0019405 | A1 | 1/2013  | Flanagan et al.  |

OTHER PUBLICATIONS

<http://www.arjohuntleigh.com/int/Product.asp?pagenumber=2571&Product.sub.--Id=291&ProductCategory.sub.--Id=128>, ArjoHuntleigh, Enterprise 9000 Hospital Bed, Date: No later than Apr. 28, 2009.

<http://www.arjohuntleigh.com/int/ProductDetails.asp?PageNumber=2571&ProductCategory.sub.--Id=128&Product.sub.--Id=291>, ArjoHuntleigh, Enterprise 9000—Product Details—Nurse Handset, Date: No later than Apr. 28, 2009.

<http://www.arjohuntleioh.com/int/ProductDetails.asp?PageNumber=2571&ProductCategory.sub.--Id=128&Product.sub.--Id=291>, ArjoHuntleigh, Enterprise 9000—Product Details—Plug in controls allow for easy changes, Date: No later than Apr. 28, 2009.

Photo # 1297 (Hill-Rom Clinitron Rite-Hite), Date: No later than Feb. 14, 2009.

Photo # 1299 (Hill-Rom 1000), Date: No later than Feb. 14, 2009.

Photo # 1304 (Hill-Rom Efica CC), Date: No later than Dec. 1994.

Photo # 1305 (Hill-Rom Clinitron Elexis), Date: No later than Dec. 1993.

Photo # 1306 (Hill-Rom Clinitron Elexis), Date: No later than Dec. 1993.

Photo # 1307 (Hill-Rom Affinity), Date: No later than Feb. 14, 2009.

Photo # 1309 (Hill-Rom Clinitron), Date: No later than Feb. 14, 2009.

MED/SURG “Go Bed +”; 2 page product brochure; Stryker Medical, copyright Jan. 2002.

No. 21-75 Grouping/Early American finished in No. 28 Maple, Hill-Rom, 1962, 1 page.

No. 16-75 Grouping/Italian Provincial finished in No. 69 Cathedral Oak, Hill-Rom, 1962, 1 page.

No. 2101-1 Grouping/Early American finished in No. 28 Maple, Hill-Rom, 1962, 1 page.

The Advance 2000® Bed from Hill-Rom, Hill-Rom 1993, 18 pages.

A Hill-Rom Solution Affinity II Bed, Hill-Rom 1996, 6 pages.

Affinity® Three Birthing Bed, Hill-Rom Services, Inc. 2000, 2 pages.

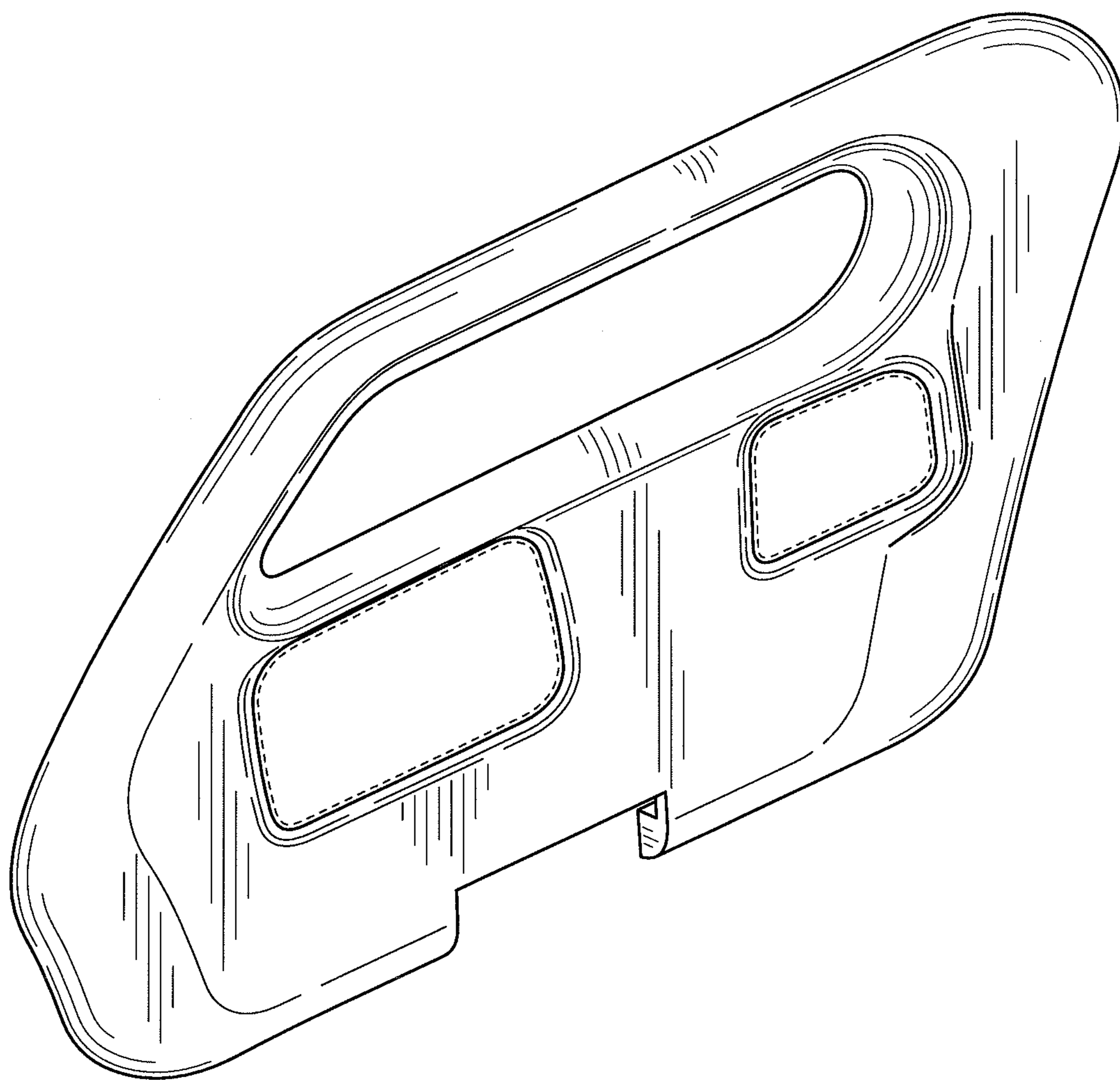
TotalCare® Connect Bed and TotalCare® Bed, Options and Accessories, Hill-Rom Services, Inc. 2008, 8 pages.

Hill-Rom® Med-Surg Beds Traction Catalog Part Descriptions and Ordering Information, Hill-Rom Services, Inc. 2007, 12 pages.

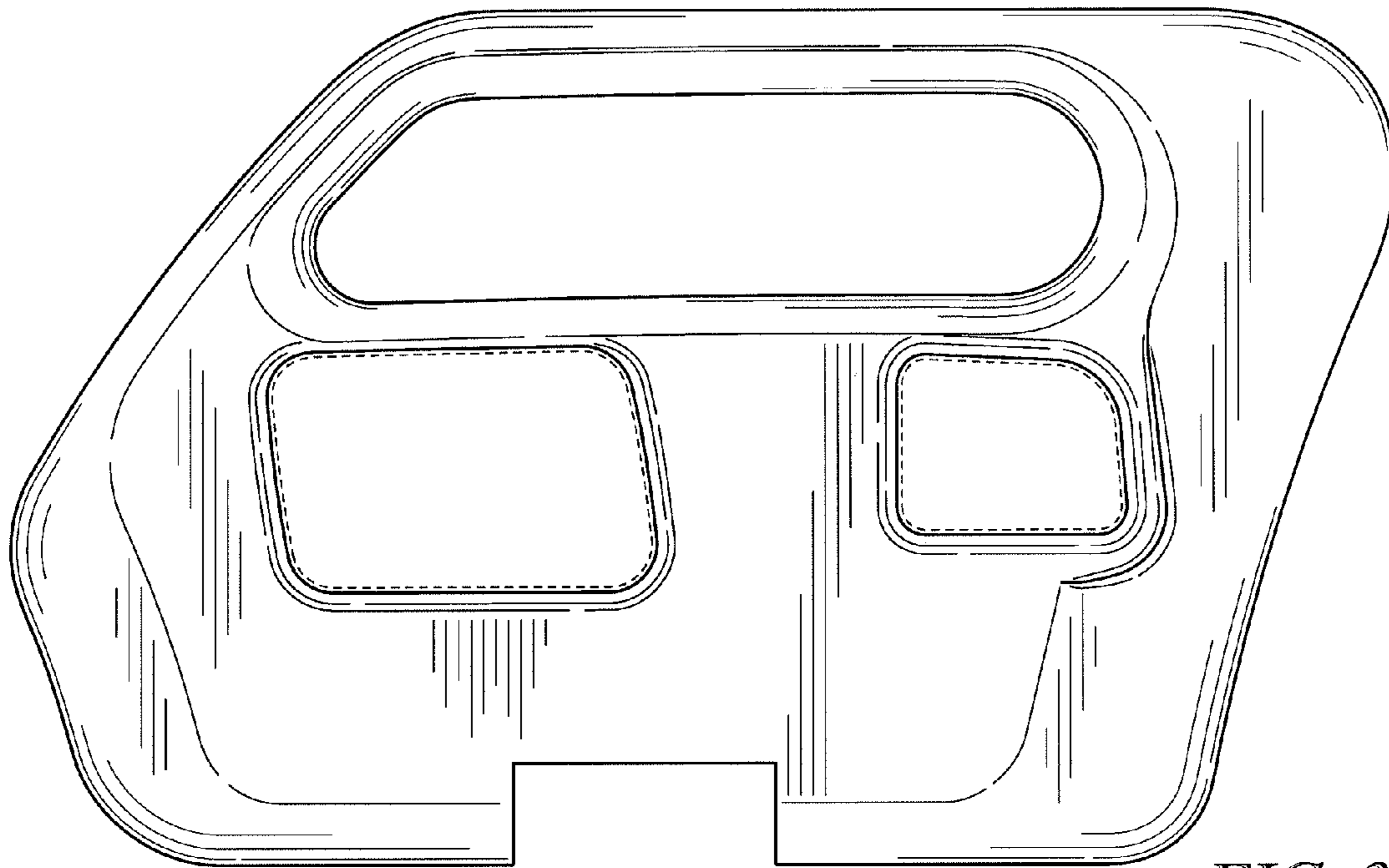
User Manual TotalCare® Bed System from Hill-Rom, Product No. P1900-00, Hill-Rom Services, Inc. 2000, 64 pages.

A Hill-Rom Solution Totalcare Bed System, Hill-Rom 1998, 8 pages.

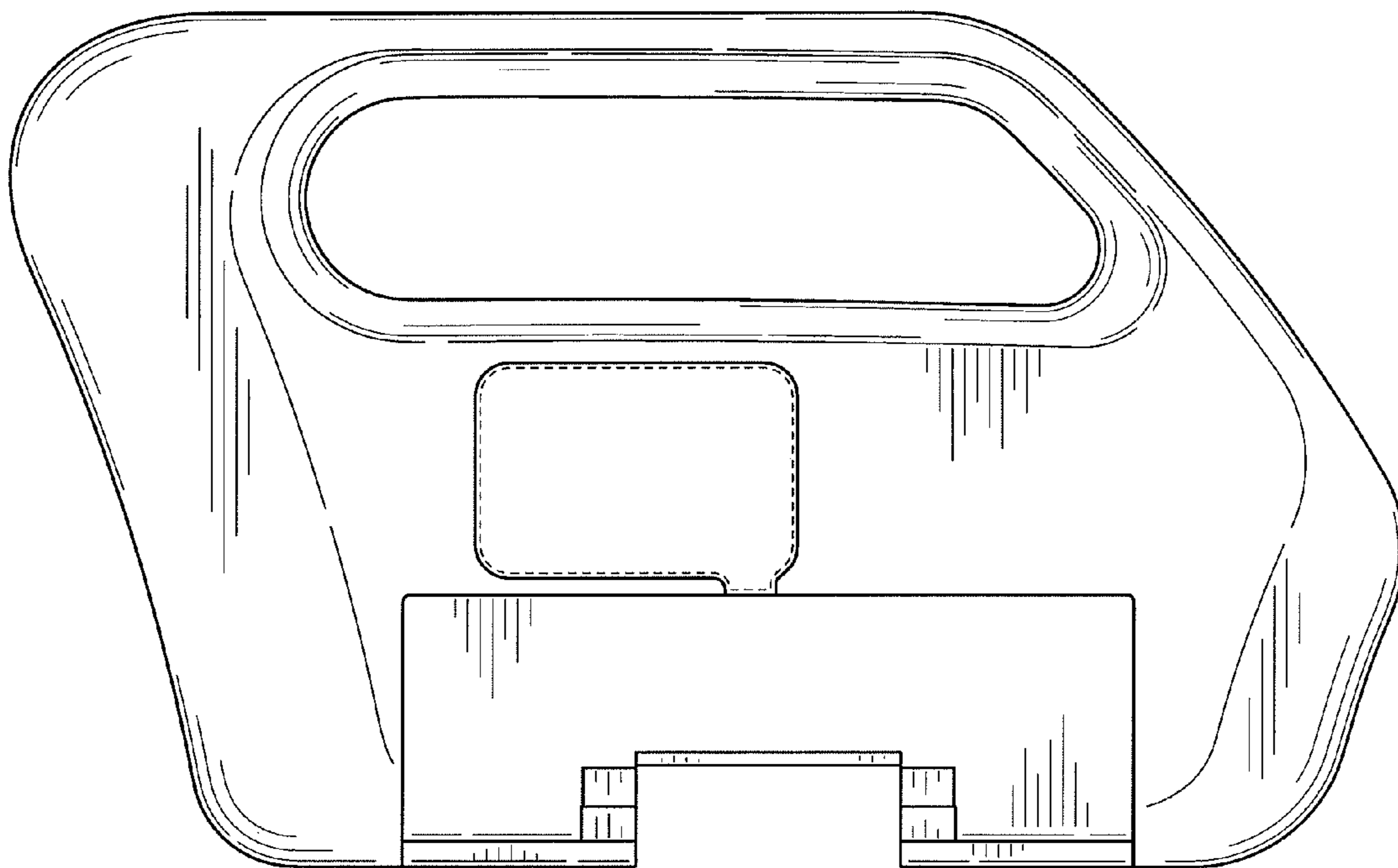
\* cited by examiner



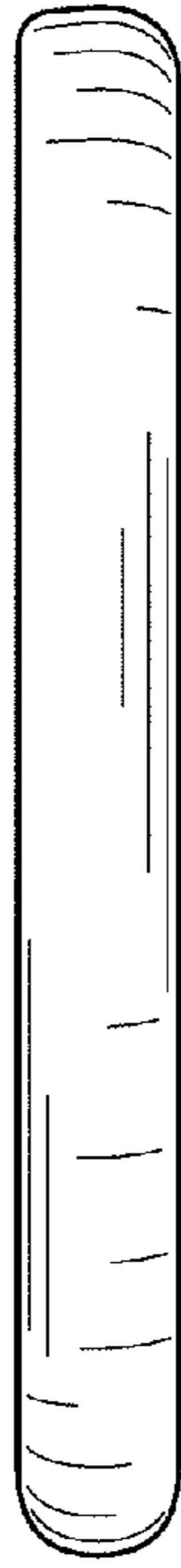
*FIG. 1*



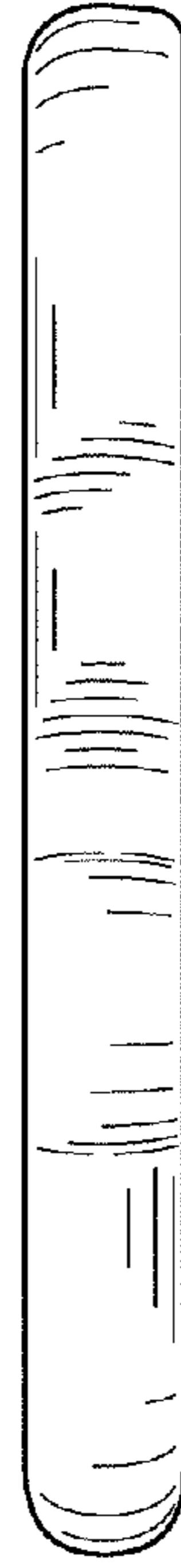
*FIG. 2*



*FIG. 3*



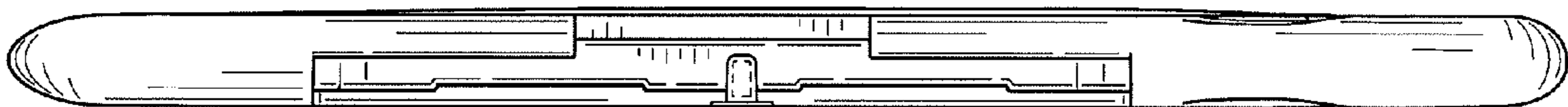
*FIG. 4*



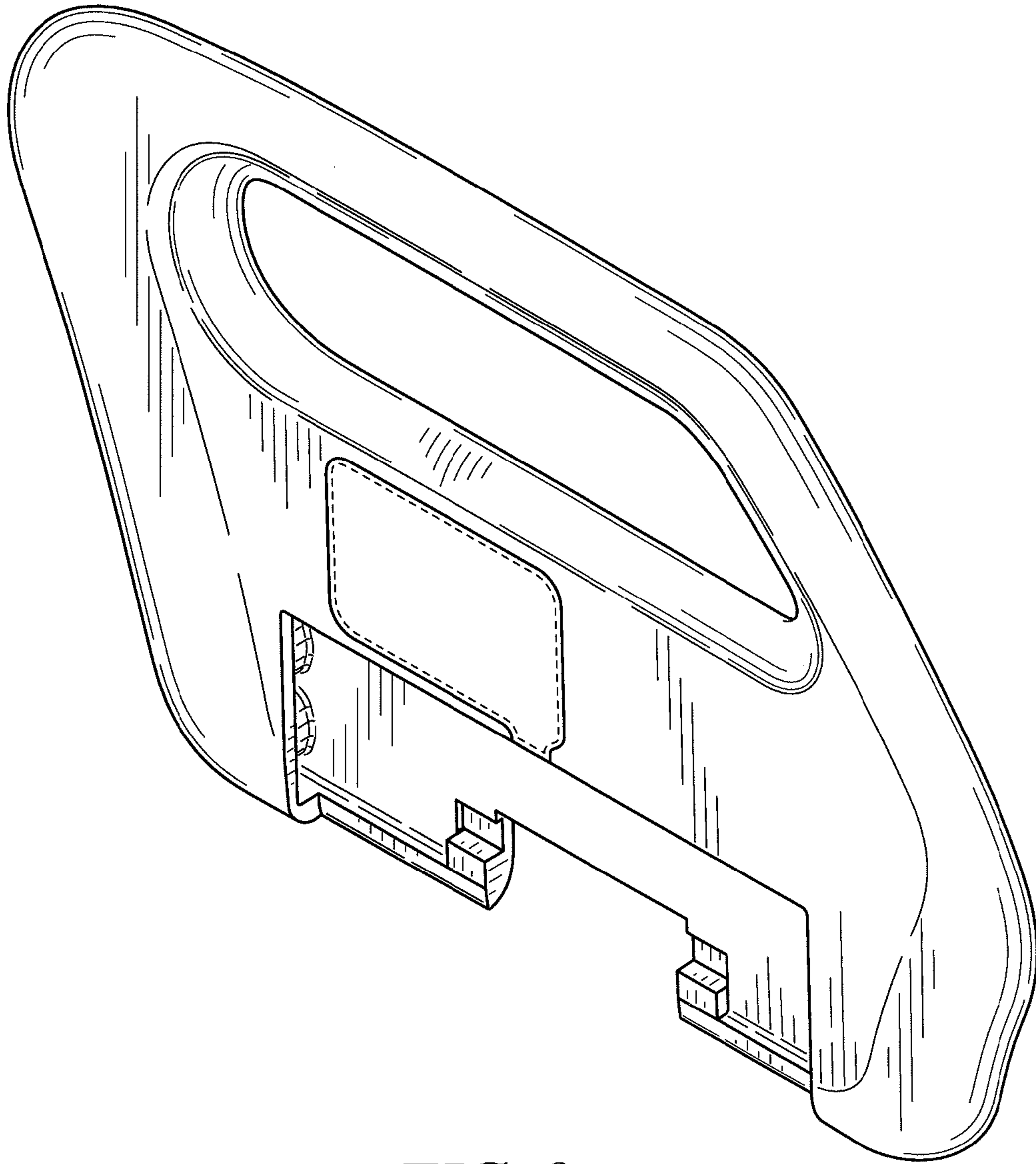
*FIG. 5*



*FIG. 6*



*FIG. 7*



*FIG. 8*