

US00D769040S

(12) **United States Design Patent** (10) **Patent No.:** **US D769,040 S**
Limyansky et al. (45) **Date of Patent:** **** Oct. 18, 2016**

(54) **BEACH TABLE**
(71) Applicants: **John M. Limyansky**, Little Egg Harbor, NJ (US); **Kathleen A. Limyansky**, Little Egg Harbor, NJ (US)
(72) Inventors: **John M. Limyansky**, Little Egg Harbor, NJ (US); **Kathleen A. Limyansky**, Little Egg Harbor, NJ (US)
(**) Term: **14 Years**

D325,068 S * 3/1992 Gaury D1/100
D343,943 S * 2/1994 Mottur D1/106
D364,048 S 11/1995 Winslow, Sr.
D366,372 S 1/1996 Skarda, Jr.
D372,612 S 8/1996 Credle, Sr.
D383,358 S 9/1997 Hassen
D387,921 S 12/1997 Shields
D455,145 S * 4/2002 Williams D11/158
D517,881 S * 3/2006 Kelleghan D8/38
D586,530 S * 2/2009 Madsen D1/111
D586,977 S * 2/2009 Madsen D1/111
D640,026 S * 6/2011 Soegaard D32/43
D646,688 S * 10/2011 Bradford D14/480.2
D652,238 S * 1/2012 Sultan D6/589

(21) Appl. No.: **29/513,207**

* cited by examiner

(22) Filed: **Dec. 29, 2014**

Primary Examiner — Mary Ann Calabrese

(51) **LOC (10) Cl.** **06-06**

(74) *Attorney, Agent, or Firm* — Richard Malagiere, Esq.

(52) **U.S. Cl.**
USPC **D6/707.11**

(58) **Field of Classification Search**
USPC D6/685, 688, 688.24, 702, 707, 707.1, D6/707.24; D1/111; D7/551.3; D11/134
CPC A47B 7/00; A47B 9/00; A47B 2009/006; A47B 13/00; A47B 13/003; A47B 13/08; A47B 13/088
See application file for complete search history.

(57) **CLAIM**
We claim the ornamental design for a beach table, as shown and described.

(56) **References Cited**

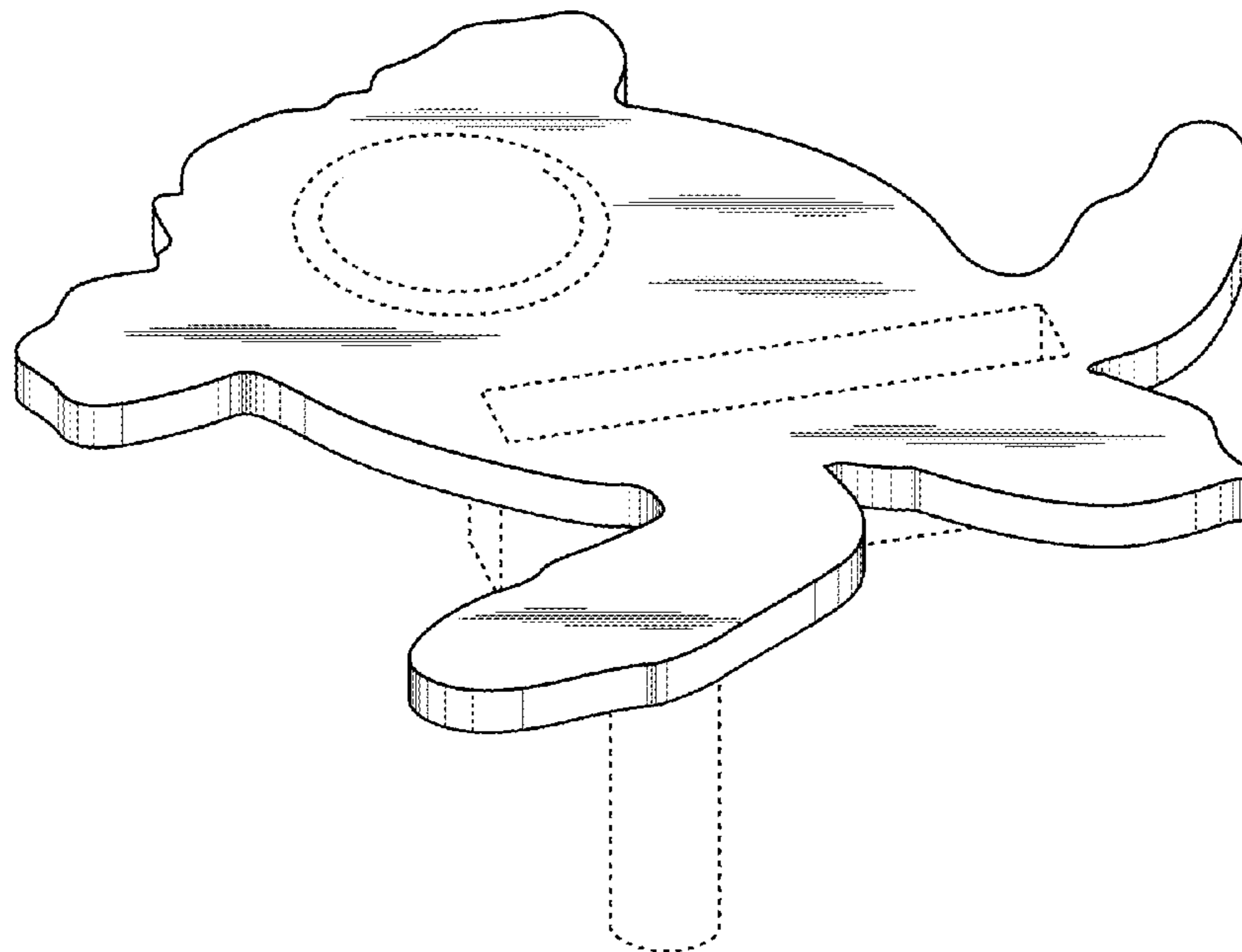
DESCRIPTION

U.S. PATENT DOCUMENTS

D76,070 S 8/1928 Sutton
D91,627 S 2/1934 Hunt
D213,084 S * 1/1969 King D1/111
D227,230 S 6/1973 Stamper
D228,481 S * 10/1973 Sahloff D11/134
D271,166 S 11/1983 Morabito
D324,756 S * 3/1992 Meyers, Jr. D1/106

FIG. 1 is a perspective view of the beach table of the present invention.
FIG. 2 is a front side view thereof.
FIG. 3 is a rear side view thereof.
FIG. 4 is a right side view thereof.
FIG. 5 is a left side view thereof.
FIG. 6 is a top plan view thereof; and,
FIG. 7 is a bottom plan view thereof.
In the drawings, the broken lines illustrate environment and form no part of the claimed design.

1 Claim, 4 Drawing Sheets



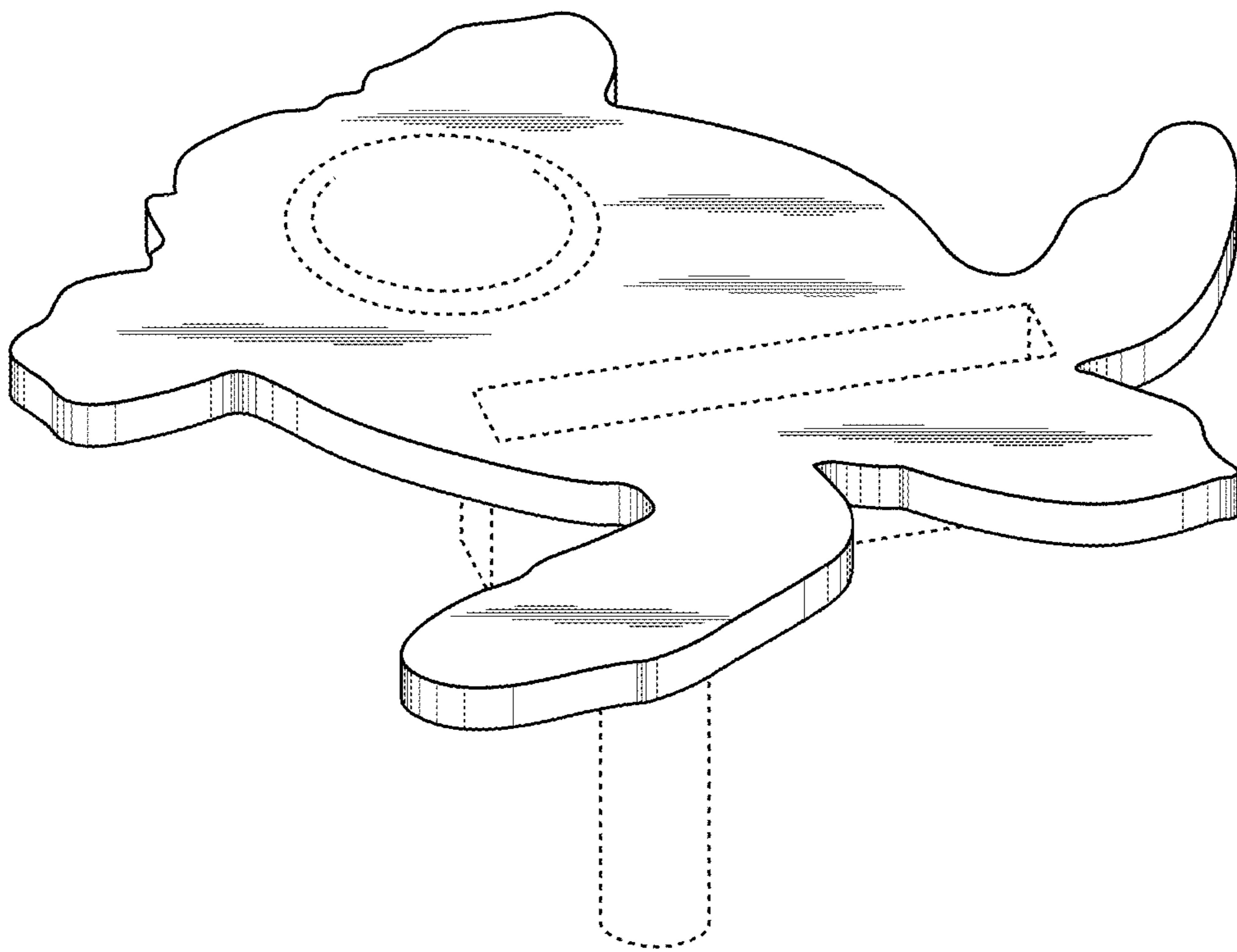


FIG. 1

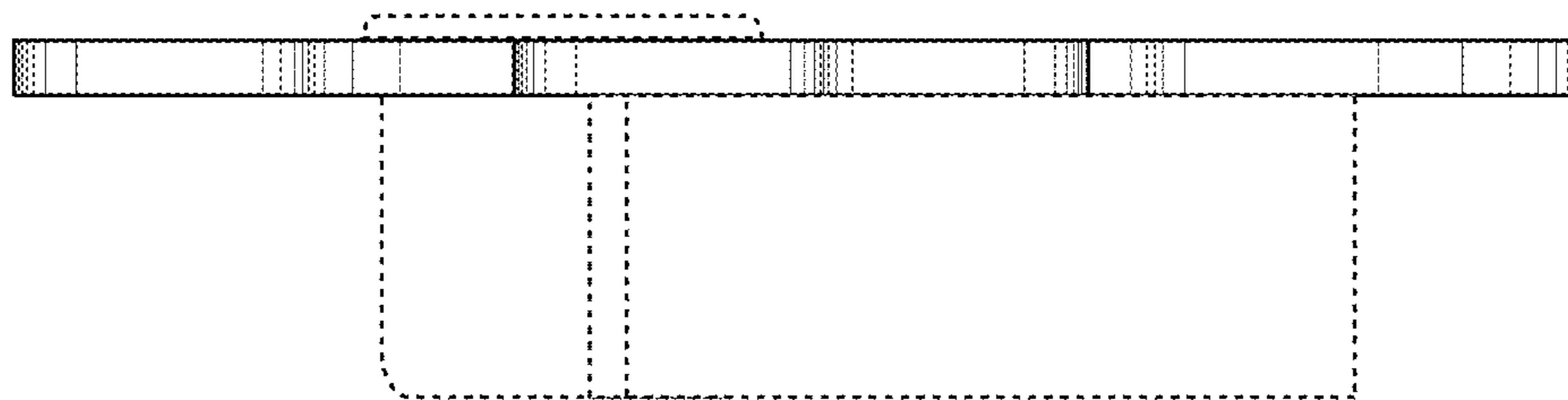


FIG. 2

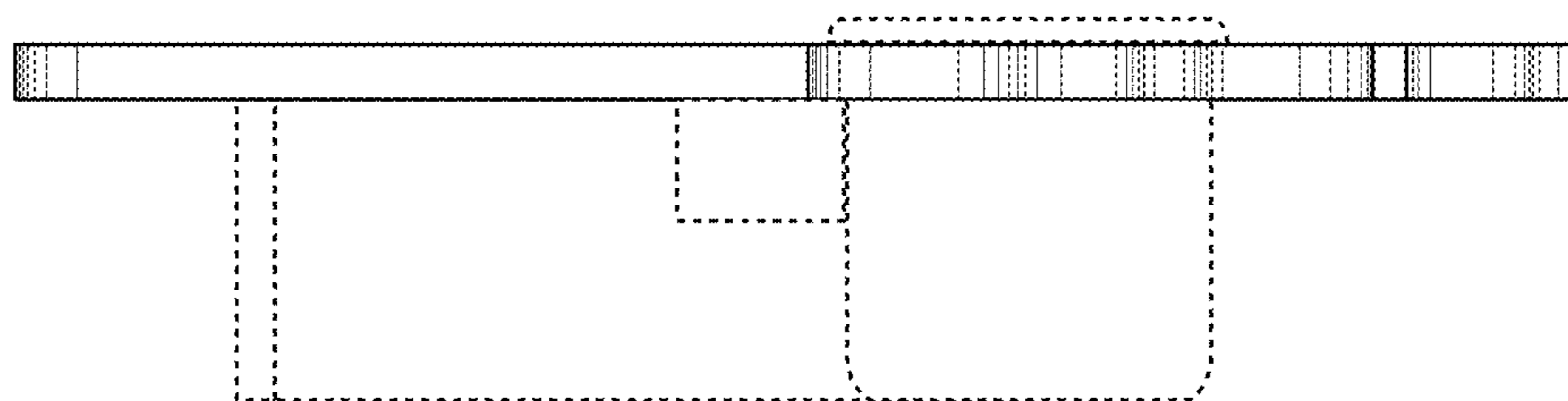


FIG. 3

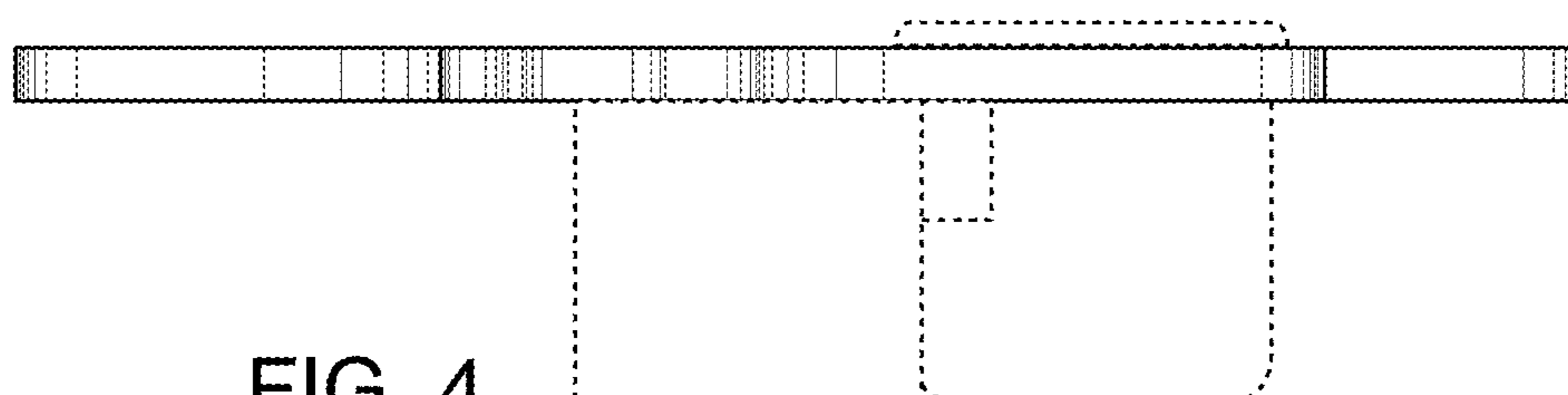


FIG. 4

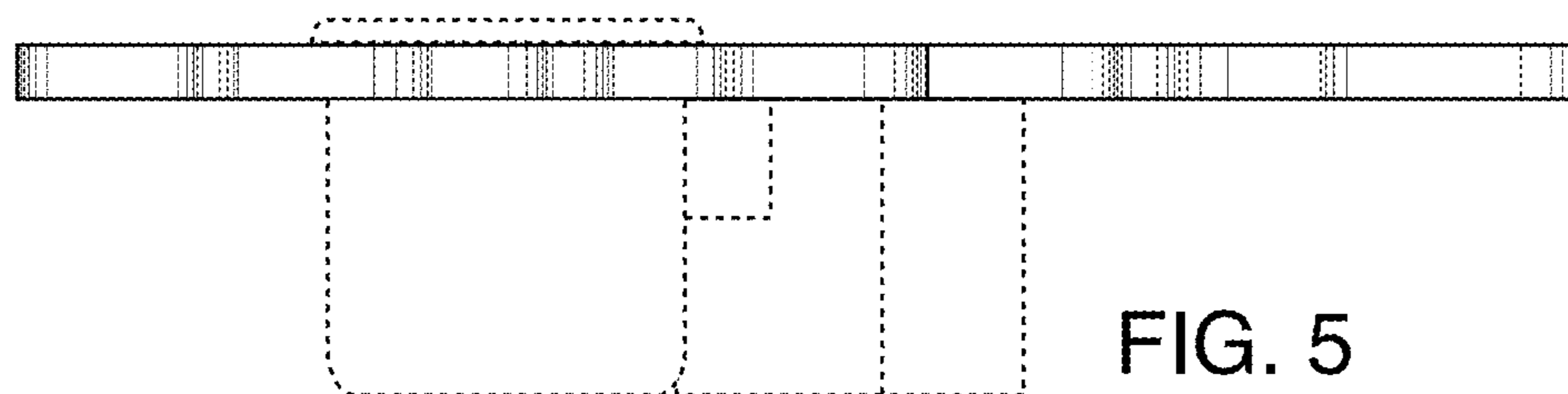


FIG. 5

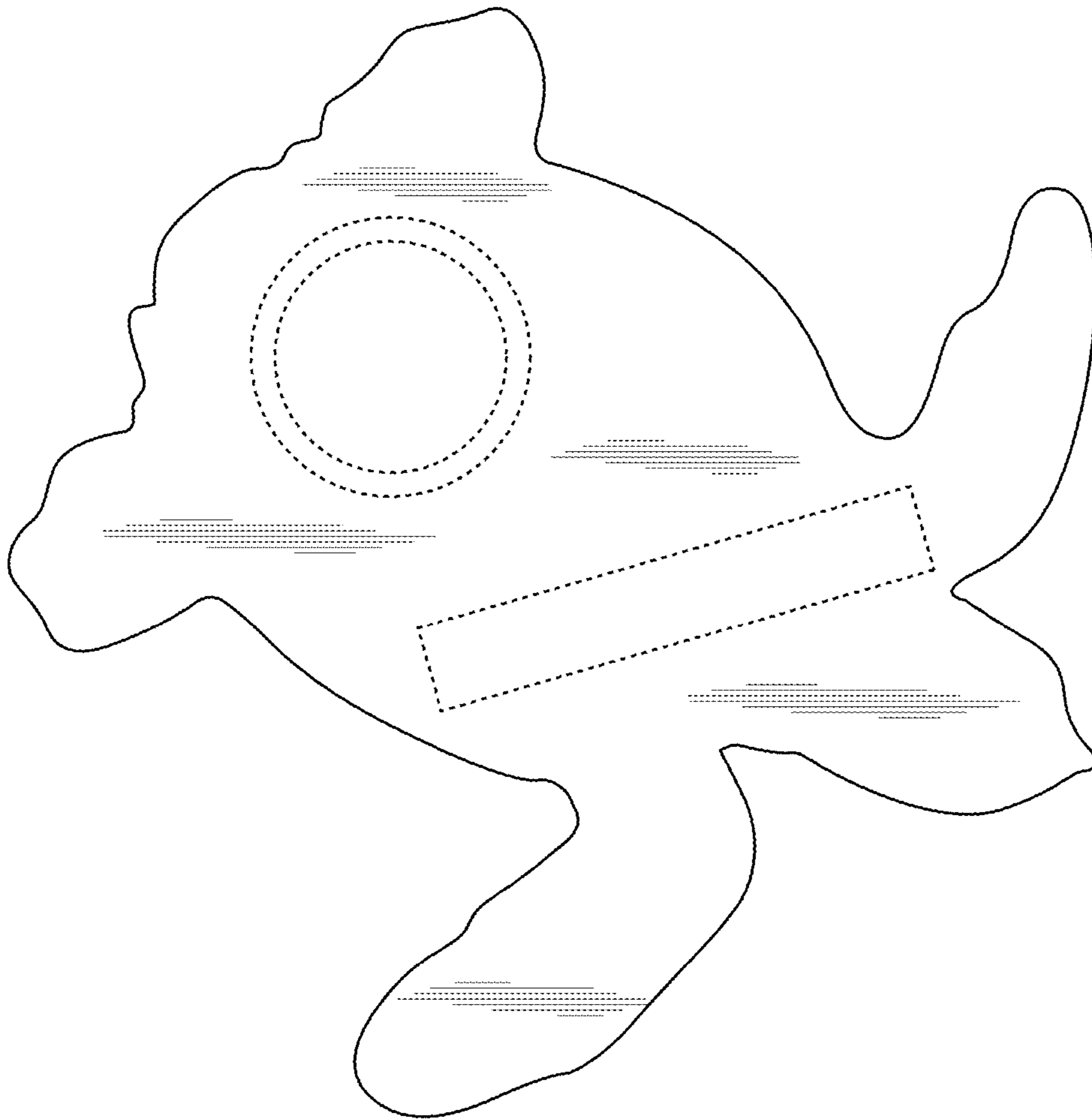


FIG. 6

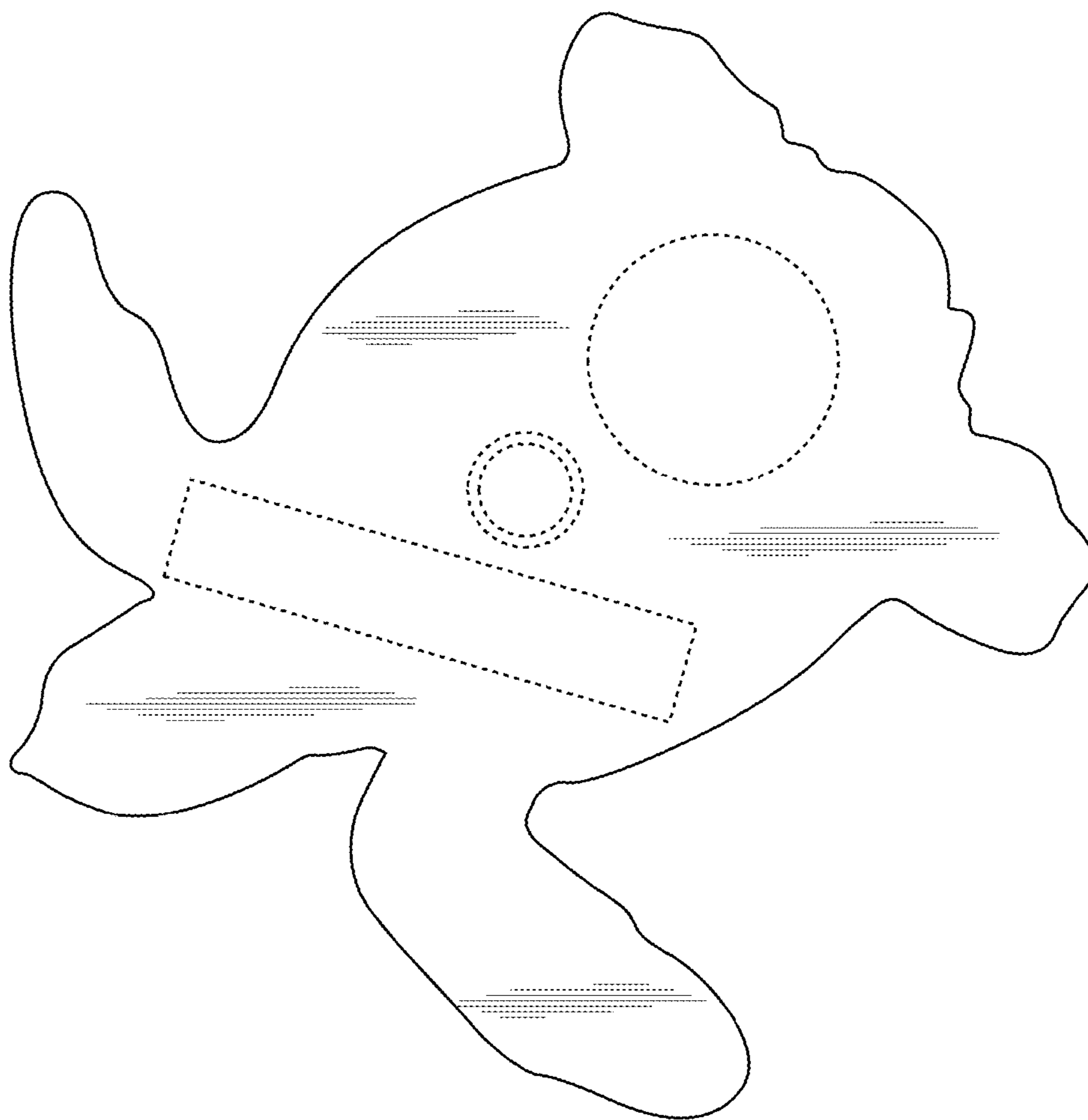


FIG. 7